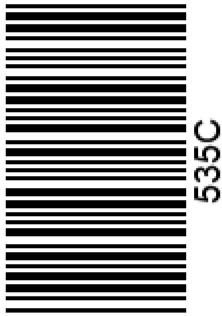


کد کنترل

5355

C



آزمون ورودی دوره‌های کارشناسی ارشد ناپیوسته - سال ۱۴۰۴

صبح جمعه

۱۴۰۳/۱۲/۰۳



جمهوری اسلامی ایران
وزارت علوم، تحقیقات و فناوری
سازمان سنجش آموزش کشور

«علم و تحقیق، کلید پیشرفت کشور است.»
مقام معظم رهبری

مهندسی برق (کد ۱۲۵۱)

مدت زمان پاسخگویی: ۲۵۰ دقیقه

تعداد سؤال: ۱۲۵ سؤال

عنوان مواد امتحانی، تعداد و شماره سؤال‌ها

ردیف	مواد امتحانی	تعداد سؤال	از شماره	تا شماره
۱	زبان عمومی و تخصصی (انگلیسی)	۲۵	۱	۲۵
۲	ریاضیات (معادلات دیفرانسیل، ریاضیات مهندسی، آمار و احتمال)	۱۵	۲۶	۴۰
۳	مدارهای الکتریکی (۱ و ۲)	۱۵	۴۱	۵۵
۴	الکترونیک (۱ و ۲) و سیستم‌های دیجیتال ۱	۱۵	۵۶	۷۰
۵	ماشین‌های الکتریکی (۱ و ۲) و تحلیل سیستم‌های انرژی الکتریکی ۱	۱۵	۷۱	۸۵
۶	سیستم‌های کنترل خطی	۱۰	۸۶	۹۵
۷	سیگنال‌ها و سیستم‌ها	۱۰	۹۶	۱۰۵
۸	الکترومغناطیس	۱۰	۱۰۶	۱۱۵
۹	مقدمه‌ای بر مهندسی زیست پزشکی	۱۰	۱۱۶	۱۲۵

* توجه:

— برای متقاضیان رشته «مهندسی پزشکی»، انتخاب یکی از دو درس «الکترومغناطیس» یا «مقدمه‌ای بر مهندسی زیست پزشکی» به عنوان درس هشتم الزامی است.

این آزمون نمره منفی دارد.

استفاده از ماشین حساب مجاز نیست.

حق چاپ، تکثیر و انتشار سؤالات به هر روش (الکترونیکی و...) پس از برگزاری آزمون، برای تمامی اشخاص حقیقی و حقوقی تنها با مجوز این سازمان مجاز می‌باشد و یا متخلفین برابر مقررات رفتار می‌شود.

* داوطلب گرامی، عدم درج مشخصات و امضا در مندرجات کادر زیر، به منزله عدم حضور شما در جلسه آزمون است.

اینجانب با شماره داوطلبی با آگاهی کامل، یکسان بودن شماره صندلی خود با شماره داوطلبی مندرج در بالای کارت ورود به جلسه، بالای پاسخنامه و دفترچه سؤالات، نوع و کد کنترل درج شده بر روی جلد دفترچه سؤالات و پایین پاسخنامه را تأیید می‌نمایم.

امضا:

زبان عمومی و تخصصی (انگلیسی):

PART A: Vocabulary

Directions: Choose the word or phrase (1), (2), (3), or (4) that best completes each sentence. Then mark the answer on your answer sheet.

- 1- My mother was a very strong, woman who was a real adventurer in love with the arts and sports.
1) consecutive 2) independent 3) enforced 4) subsequent
- 2- The weakened ozone, which is vital to protecting life on Earth, is on track to be restored to full strength within decades.
1) layer 2) level 3) brim 4) ingredient
- 3- Reading about the extensive food directives some parents leave for their babysitters, I was wondering if these lists are meant to ease feeling for leaving the children in someone else's care.
1) an affectionate 2) a misguided 3) an undisturbed 4) a guilty
- 4- He is struck deaf by disease at an early age, but in rigorous and refreshingly unsentimental fashion, he learns to overcome his so that he can keep alive the dream of becoming a physician like his father.
1) ambition 2) incompatibility 3) handicap 4) roughness
- 5- With cloak and suit manufacturers beginning to their needs for the fall season, trading in the wool goods market showed signs of improvement this week.
1) anticipate 2) nullify 3) revile 4) compliment
- 6- Sculptors leave highly footprints in the sand of time, and millions of people who never heard the name of Augustus Saint-Gaudens are well-acquainted with his two statues of Lincoln.
1) insipid 2) sinister 3) conspicuous 4) reclusive
- 7- To avoid liability, officers were told that they need to closely to established department rules and demonstrate that probable cause for an arrest or the issuance of a summons existed.
1) recapitulate 2) confide 3) hinder 4) adhere

PART B: Cloze Test

Directions: Read the following passage and decide which choice (1), (2), (3), or (4) best fits each space. Then mark the correct choice on your answer sheet.

The first organized international competition involving winter sports(8) just five years after the birth of the modern Olympics in 1896. Known as the Nordic Games, this competition included athletes predominantly from countries such as Norway

and Sweden. It was held eight times between 1901 and 1926,(9) all but one time. Figure skating was included in the Olympics for the first time in the 1908 Summer Games in London,(10) the skating competition was not actually held until October, some three months after the other events were over.

- 8- 1) was introducing 2) was introduced
3) introduced 4) has been introducing
- 9- 1) with Stockholm hosting 2) and Stockholm hosting
3) that Stockholm hosted 4) Stockholm hosted
- 10- 1) despite 2) although
3) otherwise 4) notwithstanding

PART C: Reading Comprehension

Directions: Read the following three passages and answer the questions by choosing the best choice (1), (2), (3), or (4). Then mark the correct choice on your answer sheet.

PASSAGE 1:

Electricity and magnetism were regarded as distinct phenomena for quite a while. However, as scientists started studying electrodynamics, they noticed that current-carrying wires could be affected by magnets, and also that magnetic fields could be generated by currents. Somehow electricity and magnetism were linked. Formally, electromagnetism is the field of physics that looks at how magnetic fields can affect moving electric charges and how changing magnetic fields can induce electric currents. It also looks at how magnetic fields can be generated by electric fields or electric currents. It even explains the origin of electromagnetic radiation. Ultimately, electromagnetism describes electricity and magnetism within one single framework as two manifestations of the same fundamental electromagnetic force.

When learning about electricity and magnetism, you might hear the term “field” come up a lot. But what is an electric field or a magnetic field? A field is a way to describe the effects or influence that a particular type of force has in a way that is independent of what that force might act upon. For example, the effect of the gravitational force that the Earth exerts on objects in its vicinity can be represented by a vector at each point in space around Earth.

- 11- **The underlined word “generated” in paragraph 1 is closest in meaning to**
1) identified 2) controlled 3) produced 4) analyzed
- 12- **The underlined word “it” in paragraph 1 refers to**
1) electricity 2) radiation
3) origin 4) electromagnetism
- 13- **According to paragraph 1, which of the following in away demonstrated that electricity and magnetism are not unrelated?**
1) Discovery of current-carrying wires 2) Studying electrodynamics
3) Further progress in electromagnetism 4) Discovery of electromagnetic radiation
- 14- **All of the following words are mentioned in the passage EXCEPT**
1) circuits 2) wires
3) framework 4) vector

- 15- According to the passage, which of the following statements is true?
- 1) The effect of the gravitational force that the Earth exerts is greater on the objects which are far away from it.
 - 2) A field is said to be the influences of a specific kind of force, dependent on the objects upon which that force may act.
 - 3) Electromagnetism presents electricity and magnetism as two aspects of the same fundamental electromagnetic force.
 - 4) Electromagnetism is unable to explain the origin of electromagnetic radiation and the way currents are produced.

PASSAGE 2:

Graphene could revolutionize future technologies making transparent and flexible solar panels, foldable mobile phones or ultrathin computers a reality. Now researchers from Spain, Germany, and the US think they have taken one of the first important steps along the way. Frank H.L. Koppens of the Institut de Ciéncies Fotóniques (ICFO) in Spain, along with colleagues from MIT and Harvard University have found that graphene is able to convert a single absorbed photon into multiple electrons. Graphene is currently being employed as an alternative to semiconducting materials for light-to-electricity conversion, but the finding indicates that the material could be more efficient than thought.

“In most materials, one absorbed photon generates one electron, but in the case of graphene, one absorbed photon is able to produce many excited electrons, and therefore generate larger electrical signals,” explains Koppens. “We have found that this process is very efficient: more than 80% of light energy is converted.” Instead of losing excess energy as heat when a photon is absorbed, graphene uses the extra to generate secondary ‘hot’ electrons. These ‘hot’ or excited electrons can drive a current, making graphene an alternative material for light harvesting photovoltaic devices or photodetection. The reason for graphene’s highly efficient extraction of light energy lies in its unique physical nature. Doped graphene can be thought of as a mixture of a semiconductor, where properties are determined by the behavior of electrons and holes in the conduction and valence bands, and a metal, in which they depend upon the Fermi level.

- 16- The underlined word “convert” in paragraph 1 is closest in meaning to
- 1) push
 - 2) capture
 - 3) carry
 - 4) transform
- 17- According to paragraph 1, what is an already-established function of graphene?
- 1) A replacement for semiconducting materials in certain cases
 - 2) A new source of generating light without any necessary input
 - 3) A new technology so efficient that it has replaced solar panels of any kind
 - 4) An alternative way of producing mobile phones with minimal cost
- 18- According to paragraph 2, ‘hot’ electrons
- 1) is the name applied to all electrons generated by graphene
 - 2) are electrons generated by graphene from excess energy otherwise lost as heat
 - 3) refers to a specific type of electron used as an input for graphene with an 80% efficiency
 - 4) play an insignificant role in the final energy efficiency of the devices that use graphene

- 19- What does paragraph 2 mainly discuss?
 1) The potential risks of graphene
 2) The origin of graphene
 3) The advantage of graphene
 4) The challenge facing graphene technology
- 20- The passage provides sufficient information to answer which of the following questions?
I. Who discovered graphene?
II. In which country is graphene more commonly used in the industry?
III. Does graphene's failure to extract 100% of light energy make it an inefficient material?
 1) I and III 2) Only II 3) I and II 4) Only III

PASSAGE 3:

Let's start with the basics. A superconductor is a material where electrical resistance disappears and a magnetic field is created. More simply, when you put electricity into a superconductor, you do not lose any energy—a multimeter would register zero volts and zero ohms on a live circuit—and it becomes a magnet. [1] We have known about superconductors since 1911, when a Dutch physicist named Heike Kamerlingh Onnes observed that when he immersed mercury wire in liquid helium, bringing its temperature down to within just a few degrees of Absolute Zero (-273.15°C or 4.2 Kelvin, to be precise) its electrical properties abruptly changed. He wrote, "Mercury has passed into a new state, which on account of its extraordinary electrical properties may be called the superconductive state." [2] In 1913, he won the Nobel Prize in Physics for his work.

This will not be the only Nobel Prize related to superconductors you will hear about. [3] When experimental physicists prove that something happens, theoretical physicists have to figure out the why of it. A lot of hypotheses were kicked around about superconductivity, as well as suggestions for practical applications. By the 1950s, the US physicists John Bardeen, Leon Cooper, and John Robert Schrieffer had an explanation for low-temperature superconductivity that everyone seems to agree on. [4] Electrons moving through a superconductor can pair up using quantum properties to evade the normal barriers to free movement through a solid. They proved mathematically that this pairing was possible in many substances up to a temperature of around 40 Kelvin, but higher than that the pairs of electrons would be shaken apart by the energy of the warm solid matter. Their work earned them the Nobel Prize in Physics in 1972.

- 21- According to paragraph 1, all of the following is true about Heike Kamerlingh Onnes EXCEPT that
- 1) the research leading to his Nobel Prize in physics was conducted sometime in the early 20th century
 - 2) after succeeding in discovering the invaluable properties of superconductors, he coined the index ohm to describe one of them
 - 3) his studies showed that mercury could transition into a new state, which may be called the superconductive state due to its electrical properties
 - 4) when he submerged mercury wire in liquid helium, reducing its temperature to only a few degrees above Absolute Zero, its electrical properties suddenly changed

- 22- Which of the following techniques is used in paragraph 1?
 1) Definition 2) Comparison 3) Classification 4) Exemplification
- 23- According to paragraph 2, which of the following statements is true?
 1) Quantum properties prevent electrons moving through a superconductor from pairing up, resulting in their free movement through a solid.
 2) When theoretical physicists establish that a phenomenon takes place, experimental physicists enter to clarify the reasons behind it.
 3) The explanation offered by the three US physicists for low-temperature superconductivity was quickly rejected by physicists in the 1950s.
 4) It was mathematically demonstrated that above 40 Kelvin, the energy from the warm solid matter would disrupt the pairs of electrons.
- 24- In which position marked by [1], [2], [3] or [4], can the following sentence best be inserted in the passage?
Over the next two years, he discovered similar properties in tin, lead, then other metals and alloys including niobium-tin, all when cooled down to almost Absolute Zero.
 1) [1] 2) [2] 3) [3] 4) [4]
- 25- Which of the following best describes the writer's overall tone in the passage?
 1) Objective 2) Passionate 3) Humorous 4) Ironic

ریاضیات (معادلات دیفرانسیل، ریاضیات مهندسی، آمار و احتمال):

۲۶- اگر $y = xp^2 + p^3$ و $p = y' \neq 0, 1$ ، آنگاه $x(p)$ کدام است؟

$$\frac{-2p^3 + 3p^2 + c}{2(p-1)^2} \quad (1)$$

$$\frac{-3p^3 + 2p^2 + c}{2(p-1)^2} \quad (2)$$

$$\frac{2p^3 - 3p^2 + c}{2(p-1)^2} \quad (3)$$

$$\frac{3p^3 - 2p^2 + c}{2(p-1)^2} \quad (4)$$

۲۷- فرض کنید به ازای مقدار ثابت A ، معادله دیفرانسیل $y'' + 2xy' + Ay = 2xe^{-x^2}$ کامل باشد، یعنی بتوان آن را

به صورت $\frac{d}{dx}(p(x)y' + q(x)y) = r(x)$ نوشت. جواب عمومی معادله دیفرانسیل، کدام است؟

$$y(x) = e^{-x^2} (c_1 + c_2 \int e^{x^2} dx) \quad (1)$$

$$y(x) = c_1 x e^{-x^2} + c_2 e^{-x^2} \int e^{x^2} dx \quad (2)$$

$$y(x) = (x + c_1) e^{-x^2} + c_2 e^{-x^2} \int e^{x^2} dx \quad (3)$$

$$y(x) = (-x + c_1) e^{-x^2} + c_2 e^{-x^2} \int e^{x^2} dx \quad (4)$$

۲۸- جواب خصوصی $x(t)$ از حل دستگاه معادلات دیفرانسیلی $\begin{cases} x' = x + y + e^{2t} \\ y' = 4x + y - e^{-t} \end{cases}$ ، کدام است؟

(۱) $\frac{t}{4}e^{2t} - \frac{1}{3}e^{-t}$

(۲) $-\frac{1}{3}e^{2t} + \frac{t}{4}e^{-t}$

(۳) $-\frac{t}{4}e^{2t} + \frac{1}{3}e^{-t}$

(۴) $\frac{1}{3}e^{2t} - \frac{t}{4}e^{-t}$

۲۹- مقدار $\int_0^{\infty} \frac{x^n}{n^x} dx$ به ازای عدد طبیعی $n \geq 2$ ، کدام است؟

(۱) $\frac{n!}{n^n}$

(۲) $\frac{n!}{n^{n+1}}$

(۳) $\frac{n!}{(\ln n)^{n+1}}$

(۴) $\frac{(n+1)!}{(\ln n)^{n+1}}$

۳۰- فرض کنید $y_1(x) = \sum_{n=0}^{\infty} c_n x^n$ و $y_2(x) = ky_1(x) \ln x + x^A \sum_{n=0}^{\infty} a_n x^n$ ، جوابهای مستقل خطی معادله

دیفرانسیل $xy'' - Ay' + xy = 0$ باشد. مقدار A کدام است؟

(۱) صفر

(۲) $\frac{3}{2}$

(۳) ۳

(۴) ۴

۳۱- فرض کنید سری فوریه تابع $y = f(x)$ در فاصله $[-\pi, \pi]$ به صورت $\frac{1}{2}a_0 + \sum_{n=1}^{\infty} (a_n \cos(nx) + b_n \sin(nx))$

باشد. اگر f' و f پیوسته و $f(\pi) = f(-\pi)$ ، آنگاه ضریب فوریه سینوسی تابع $y = f'(x)$ در بازه $[\pi, 0]$ ، کدام است؟

(۱) $\frac{1}{\pi} \int_0^{\pi} (f(x) + f(-x)) \sin(nx) dx$

(۲) $\frac{1}{\pi} \int_0^{\pi} (f(x) - f(-x)) \sin(nx) dx$

(۳) $\frac{n}{\pi} \int_0^{\pi} (f(x) - f(-x)) \cos(nx) dx$

(۴) $-\frac{n}{\pi} \int_0^{\pi} (f(x) + f(-x)) \cos(nx) dx$

۳۲- جواب عمومی معادله دیفرانسیل با مشتقات جزئی $u = 2(x+y)u$ ، به روش ضربی (تفکیک متغیرها) $\frac{\partial u}{\partial x} + \frac{\partial u}{\partial y} = 2(x+y)u$

کدام است؟

(۱) $u = C e^{x^2+y^2+k(x+y)}$

(۲) $u = C e^{x^2+y^2+k(x-y)}$

(۳) $u = C e^{x^2-y^2+k(x-y)}$

(۴) $u = C e^{x^2-y^2+k(x+y)}$

۳۳- در حل معادله دیفرانسیل با مشتقات جزئی $u_t + 4u_x - 9u_{xx} = 0$ از تغییر متغیر $u(x,t) = v(x,t)w(x)$ چنان استفاده می‌کنیم که پس از جایگذاری آن در معادله دیفرانسیل، ضریب v_x صفر شود. صورت جدید معادله

دیفرانسیل، کدام است؟

(۱) $v_t - 9v_{xx} = 0$

(۲) $9v_t - 81v_{xx} + 4v = 0$

(۳) $v_t - 9v_{xx} + 4v = 0$

(۴) $9v_t - 9v_{xx} + 4v_x = 0$

۳۴- تصویر نقاط واقع بر منحنی $|z+1|=3$ ، تحت نگاشت $u+iv = \frac{z-1}{z-2}$ ، کدام است؟

(۱) خط موازی با محور v

(۲) خطی که از مبدأ مختصات می‌گذرد.

(۳) دایره‌ای که از مبدأ مختصات نمی‌گذرد.

(۴) دایره‌ای که از مبدأ مختصات می‌گذرد.

۳۵- مقدار $\oint_{|z|=4} \frac{z^9 dz}{(z^2+2)^{26}(z^4+4)^{10}}$ ، کدام است؟

(۱) ۱

(۲) $\frac{1}{2}$

(۳) صفر

(۴) -۱

۳۶- یک تاس چهار طرفه پرتاب می‌شود. اگر نتیجه پرتاب یک یا دو باشد، تاس دوباره پرتاب می‌شود. در غیر این صورت، پرتاب تاس متوقف می‌شود. اگر مجموع اعداد روی تاس در دو پرتاب حداقل چهار باشد، با چه احتمالی نتیجه پرتاب اول تاس،

یک بوده است؟

(۱) $\frac{2}{9}$

(۲) $\frac{4}{9}$

(۳) $\frac{5}{9}$

(۴) $\frac{7}{9}$

۳۷- فرض کنید B_1, B_2, \dots, B_n پیشامدهای دوه‌دو مجزا با احتمال‌های مثبت باشند. اگر $B = \bigcup_{j=1}^n B_j$ و A یک

پیشامد دلخواه باشد به طوری که $P(A|B_j) = p$; $(j = 1, \dots, n)$ ، مقدار $P(A|B)$ کدام است؟

(۱) ۱

(۲) p

(۳) p^n

(۴) $P(A)$

۳۸- فرض کنید متغیر تصادفی X ، دارای تابع چگالی احتمال به صورت زیر باشد:

$$f(x) = \begin{cases} e^{-x} & x \geq 0 \\ 0 & \text{در غیر این صورت} \end{cases}$$

امید ریاضی تابع $g(X) = \frac{2}{3} e^{\frac{2}{3}X}$ ، کدام است؟

(۱) ۲

(۲) ۳

(۳) $\frac{2}{3}$

(۴) $\frac{3}{2}$

۳۹- فرض کنید در ظرفی ۴ توپ وجود دارد که θ تای آنها آبی و بقیه قرمز هستند. برای آزمون فرض $H_0: \theta = 2$ در مقابل $H_1: \theta \neq 2$ ، دو توپ از این ظرف انتخاب می‌کنیم. اگر هر دو توپ از یک رنگ باشند، آنگاه H_0 را رد می‌کنیم. احتمال

خطای نوع ۲ به ازای $\theta = 1$ کدام است؟

(۱) $\frac{1}{5}$

(۲) $\frac{1}{4}$

(۳) $\frac{1}{3}$

(۴) $\frac{1}{2}$

۴۰- برای برازش یک مدل خطی ساده به فرم $y = \alpha + \beta x + \varepsilon$ بر اساس یک نمونه تصادفی ۲۵ تایی، خلاصه اطلاعات زیر حاصل شده است:

$$\sum_{i=1}^{25} x_i = 50, \sum_{i=1}^{25} y_i = 75, \sum_{i=1}^{25} x_i^2 = 125, \sum_{i=1}^{25} y_i^2 = 274, \sum_{i=1}^{25} x_i y_i = 175$$

مقدار $(\hat{\alpha}, \hat{\beta})$ کدام است؟

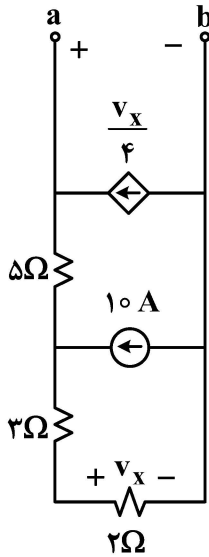
(۱) (۲, ۱)

(۲) (۲, ۲)

(۳) (۱, ۱)

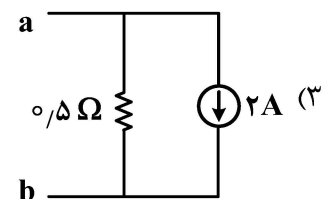
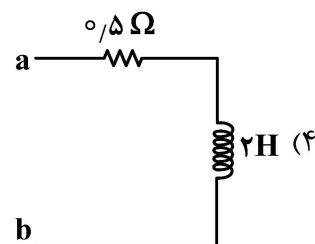
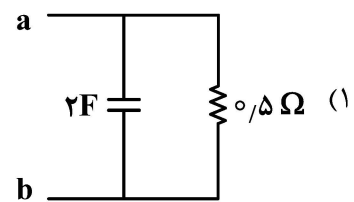
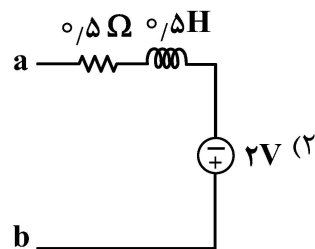
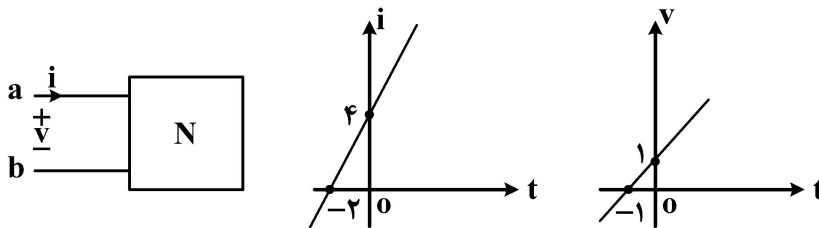
(۴) (۱, ۲)

۴۱- ولتاژ تونن (V_{Th}) و مقاومت تونن (R_{Th}) از دید دو سر a و b مدار زیر، به ترتیب، چند ولت و چند اهم است؟

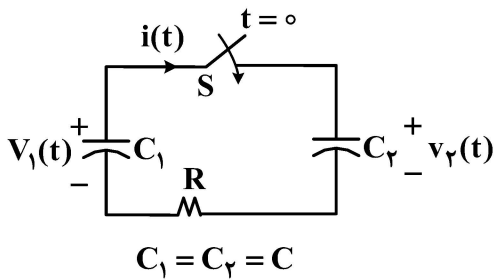


- (۱) ۱۵۰ و ۳۰
- (۲) ۱۵۰ و ۲۰
- (۳) ۱۲۰ و ۳۰
- (۴) ۱۲۰ و ۲۰

۴۲- تغییرات ولتاژ و جریان بر حسب زمان در یک قطبی N، به صورت زیر داده شده است. کدام مورد، مدلی مناسب برای معرفی این یک قطبی از دو سر ab نیست؟

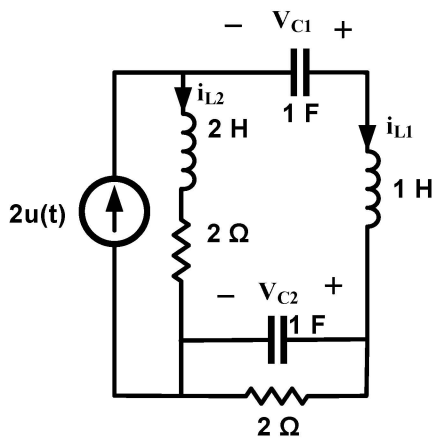


۴۳- در مدار زیر، خازن C_1 در $t = 0^-$ دارای ولتاژ اولیه $V_1 = 5V$ بوده و خازن C_2 بدون ولتاژ اولیه است. در لحظه $t = 0$ ، کلید S بسته می‌شود. در این صورت، برای زمان‌های مثبت و $V_2(+\infty)$ کدام است؟



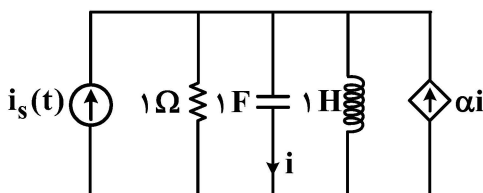
- (۱) $i(t) = 0$; $V_2(\infty) = 5V$
- (۲) $i(t) = 2/5 Re^{-\tau t/RC}$; $V_2(\infty) = 5V$
- (۳) $i(t) = \frac{5}{R} e^{-\tau t/RC}$; $V_2(\infty) = 2/5 V$
- (۴) $i(t) = 5e^{-\tau t/RC}$; $V_2(\infty) = 2/5 V$

۴۴- در مدار زیر، $i_{L1}(0^-) = 1A$ ، $i_{L2}(0^-) = -2A$ و ولتاژ اولیه خازن‌ها صفر است. مقدار $\frac{dv_{C1}(0^+)}{dt}$ چند ولت بر ثانیه است؟



- (۱) ۱
- (۲) -۱
- (۳) -۳
- (۴) -۴

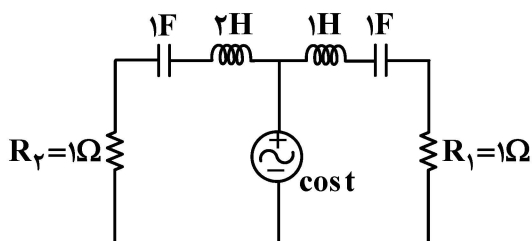
۴۵- در مدار زیر، به‌ازای چه مقداری برای α ، مدار فرکانس طبیعی مضاعف دارد؟



- (۱) $\frac{5}{4}$
- (۲) $\frac{3}{4}$
- (۳) $\frac{1}{4}$

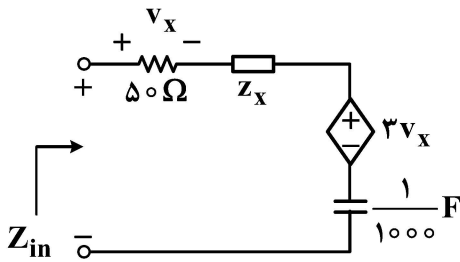
(۴) مدار هیچ‌گاه فرکانس طبیعی مضاعف ندارد.

۴۶- در مدار زیر، توان متوسط تحویل داده‌شده به مقاومت R_1 را P_1 و توان متوسط تحویل داده‌شده به مقاومت R_2 را P_2 می‌نامیم. کدام گزاره درست است؟



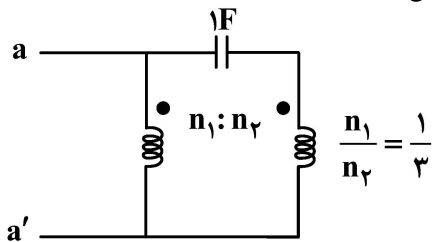
- (۱) $P_1 > P_2$
- (۲) $P_1 < P_2$
- (۳) $P_1 = P_2$
- (۴) نمی‌توان در مورد رابطه P_1 و P_2 اظهار نظر کرد.

۴۷- امپدانس ورودی مدار زیر، در $\omega = 5 \frac{\text{rad}}{\text{sec}}$ برابر $Z_{in} = (210 - j175) \Omega$ است. امپدانس Z_x کدام است؟



- (۱) $(10 - j25) \Omega$
- (۲) $(20 + j25) \Omega$
- (۳) $(20 - j25) \Omega$
- (۴) $(10 + j25) \Omega$

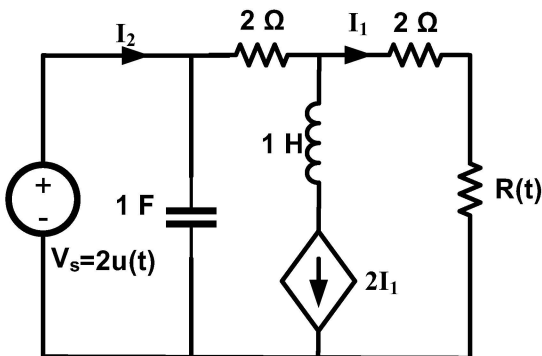
۴۸- ظرفیت خازن معادل از دو سر aa' ، چند فاراد است؟ (ترانسفورماتور ایده آل است.)



- (۱) ۲
- (۲) ۳
- (۳) ۴
- (۴) ۵

۴۹- در مدار زیر، ولتاژ اولیه خازن صفر و جریان اولیه سلف صفر است. مقاومت تغییرپذیر با زمان برابر با $R(t) = \sin t$

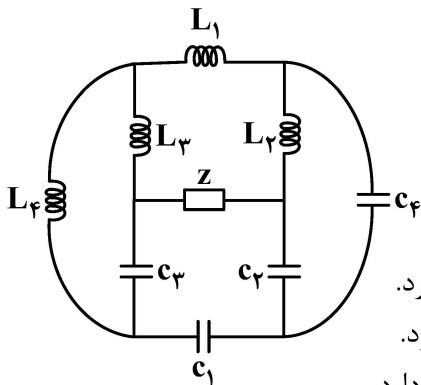
است. جریان $I_1(t)$ برای $t > 0^-$ کدام است؟



- (۱) $\frac{6u(t)}{8 + \sin t} + 2\delta(t)$
- (۲) $\frac{6u(t)}{6 + \sin t} + 2\delta(t)$
- (۳) $\frac{6u(t)}{8 + \cos t} + 2u(t)$
- (۴) $\frac{6u(t)}{6 + \cos t} + 2\delta(t)$

۵۰- در مدار زیر، عنصر Z می تواند یک مقاومت، یک خازن و یا یک سلف باشد. همه عناصر پسیو هستند. کدام گزاره

نادرست است؟



- (۱) اگر عنصر Z یک خازن باشد، مرتبه مدار ۷ و یک فرکانس طبیعی صفر دارد.
- (۲) اگر عنصر Z یک سلف باشد، مرتبه مدار ۷ و یک فرکانس طبیعی صفر دارد.
- (۳) اگر عنصر Z یک مقاومت باشد، مرتبه مدار ۷ و یک فرکانس طبیعی صفر دارد.
- (۴) مدار هیچ گاه فرکانس طبیعی مضاعف موهومی خالص ندارد.

۵۱- اگر ماتریس تلافی شاخه با مش مختصر شده برای یک گراف به صورت زیر باشد، آنگاه ماتریس تلافی شاخه با گره مختصر شده برای گراف دوگان آن، کدام است؟

$$\begin{bmatrix} 1 & 0 & 0 & 0 & 1 & 0 & 0 & -1 \\ 0 & 1 & 0 & 0 & -1 & 1 & 0 & 0 \\ 0 & 0 & 1 & 0 & 0 & -1 & 1 & 0 \\ 0 & 0 & 0 & 1 & 0 & 0 & -1 & 1 \end{bmatrix}_{4 \times 8}$$

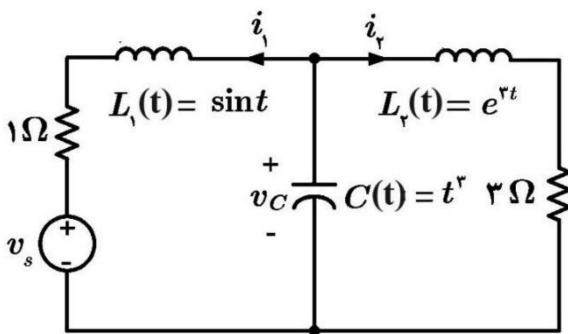
$$\begin{bmatrix} 0 & 1 & 1 & 1 & 0 & 1 & 1 & 0 \\ 1 & 0 & 1 & 1 & 0 & 0 & -1 & -1 \\ 1 & 1 & 0 & 1 & -1 & 0 & 0 & 1 \\ 1 & 1 & 1 & 0 & 1 & -1 & 0 & 0 \end{bmatrix}_{4 \times 8} \quad (2)$$

$$\begin{bmatrix} 1 & 0 & 0 & 0 & 1 & 0 & 0 & -1 \\ 0 & 1 & 0 & 0 & -1 & 1 & 0 & 0 \\ 0 & 0 & 1 & 0 & 0 & -1 & 1 & 0 \\ 0 & 0 & 0 & 1 & 0 & 0 & -1 & 1 \end{bmatrix}_{4 \times 8} \quad (1)$$

$$\begin{bmatrix} -1 & 0 & 0 & 0 & -1 & 0 & 0 & 1 \\ 0 & -1 & 0 & 0 & 1 & -1 & 0 & 0 \\ 0 & 0 & -1 & 0 & 0 & 1 & -1 & 0 \\ 0 & 0 & 0 & -1 & 0 & 0 & 1 & -1 \end{bmatrix}_{4 \times 8} \quad (4)$$

$$\begin{bmatrix} 1 & 0 & 0 & 0 \\ 0 & 1 & 0 & 0 \\ 0 & 0 & 1 & 0 \\ 1 & -1 & 0 & 0 \\ 0 & 1 & -1 & 0 \\ 0 & 0 & 1 & -1 \\ -1 & 0 & 0 & 1 \end{bmatrix}_{8 \times 4} \quad (3)$$

۵۲- با توجه به مدار زیر، معادلات حالت برای جریان سلف i_1 و ولتاژ خازن V_c کدام است؟



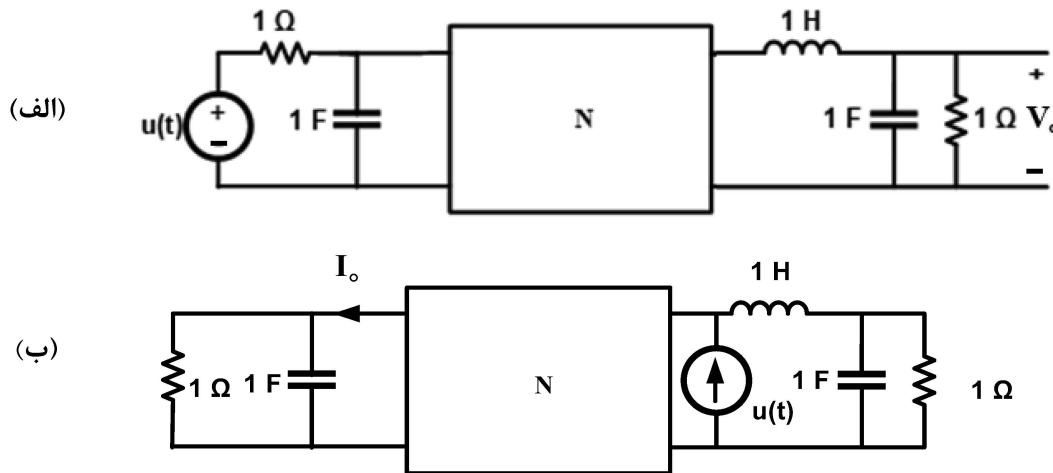
$$\begin{cases} \frac{dv_c}{dt} = -\frac{1}{3t^r}(i_1 + i_r) \\ \frac{di_1}{dt} = -\frac{1}{\cos t}(i_1 + v_s - v_c) \end{cases} \quad (2)$$

$$\begin{cases} \frac{dv_c}{dt} = -\frac{1}{t^r}(i_1 + i_r) \\ \frac{di_1}{dt} = -\frac{1}{\sin t}(i_1 + v_s - v_c) \end{cases} \quad (1)$$

$$\begin{cases} \frac{dv_c}{dt} = -\frac{1}{t^r}(3t^r v_c + i_1 + i_r) \\ \frac{di_1}{dt} = -\frac{1}{\sin t}[(\cos t + 1)i_1 + v_s - v_c] \end{cases} \quad (4)$$

$$\begin{cases} \frac{dv_c}{dt} = -\frac{1}{t^r}(3t^r v_c + i_1 + i_r) \\ \frac{di_1}{dt} = -\frac{1}{\cos t}[(\sin t + 1)i_1 + v_s - v_c] \end{cases} \quad (3)$$

۵۳- فرض کنید شبکه N داده شده در شکل، فقط از عناصر خطی تغییرناپذیر با زمان سلف و خازن و مقاومت و ترانسفورماتور ایده آل تشکیل شده و فاقد منابع مستقل و وابسته است و در هر دو مدار «الف» و «ب»، در ω^- در حالت صفر است. اگر در مدار «الف» ولتاژ V_o را داشته باشیم، در مدار «ب» مقدار جریان I_o در حوزه لاپلاس بر حسب V_o ، کدام مورد است؟



$$I_o(s) = V_o(s) \quad (۲) \qquad I_o(s) = (s^2 + s + 1)(s + 1)V_o(s) \quad (۱)$$

$$I_o(s) = \frac{1}{s+1} V_o(s) \quad (۴) \qquad I_o(s) = \frac{s+1}{s^2 + s + 1} V_o(s) \quad (۳)$$

۵۴- در مدار زیر، N_2 از عناصر RLC خطی تغییرناپذیر با زمان و N_1 از مقاومت‌های خطی تغییرناپذیر با زمان و پسیو تشکیل شده است. دوقطبی N_1 با ماتریس انتقال $T = \begin{pmatrix} ۲ & ۳ \\ ۱ & ۲ \end{pmatrix}$ داده شده است. اگر داشته باشیم

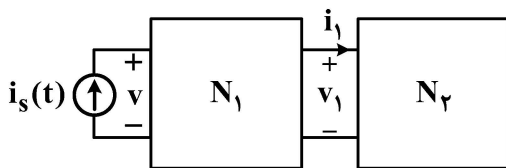
$$H_1(s) = \frac{V_1(s)}{I_1(s)} = \frac{s+1}{s^2 + 2s + 2}, \quad H_2(s) = \frac{V_2(s)}{I_2(s)}$$

(۱) یک صفر دارد.

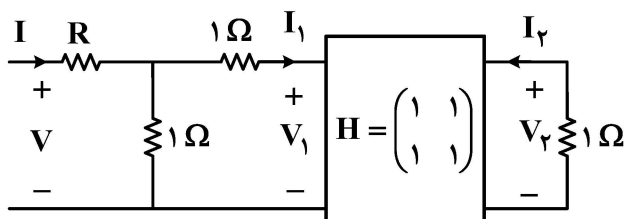
(۲) دو قطب دارد.

(۳) تعداد قطب‌ها بیشتر از تعداد صفرها است.

(۴) تعداد صفرها بیشتر از تعداد قطب‌ها است.



۵۵- در مدار زیر، اگر بهره $\frac{V_2}{V} = -\frac{11}{38}$ باشد، مقدار R چند اهم است؟ (دوقطبی با ماتریس H داده شده است).



$$\begin{pmatrix} V_1 \\ I_2 \end{pmatrix} = H \begin{pmatrix} I_1 \\ V_2 \end{pmatrix}$$

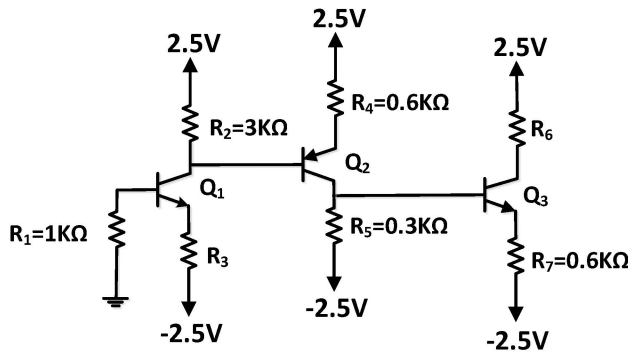
(۱) $\frac{1}{11}$

(۲) $\frac{1}{5}$

(۳) 11

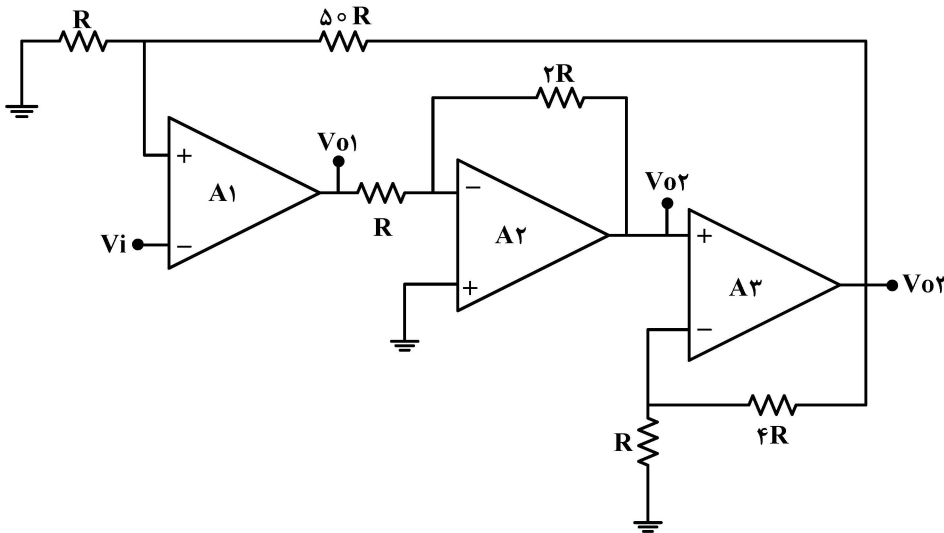
(۴) 5

۵۶- با فرض کارکرد تمامی ترانزیستورها در ناحیه خطی (فعال)، $\beta = \infty$ و $|V_{BE-on}| = 0.7V$ ، مقدار مقاومت R_3 (برحسب کیلو اهم) چقدر باشد تا توان متوسط اتلاف شده در مقاومت R_3 برابر 150 میکرووات باشد؟



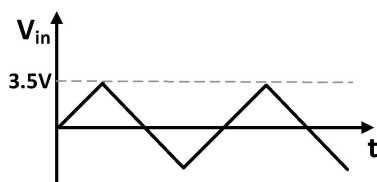
- (۱) ۱/۵
- (۲) ۲
- (۳) ۲/۵
- (۴) ۳

۵۷- در مدار زیر، آپ‌آمپ‌ها ایده‌آل فرض می‌شوند. نسبت V_{O1}/V_i کدام است؟

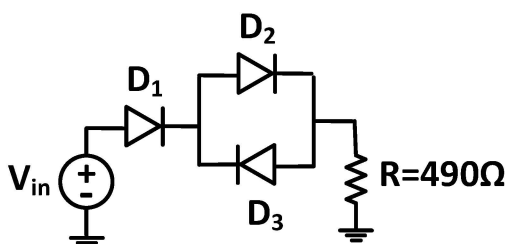


- (۱) $-5/1$
- (۲) $-5/1$
- (۳) ۵
- (۴) بی‌نهایت

۵۸- فرض کنید V_{in} یک سیگنال مثلثی متناوب با فرکانس 1000Hz ، همانند شکل زیر باشد. توان متوسط مصرفی توسط مقاومت R ، چند میلی‌وات است؟ (فرض کنید $V_{D-on} = 0.7V$ دیودها برابر $0.7V$ باشد).

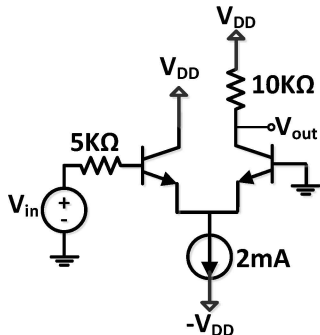


- (۱) ۴
- (۲) ۲/۵
- (۳) ۲
- (۴) ۰/۹



۵۹- با فرض بایاس شدن کلیه ترانزیستورها در ناحیه فعال، ایده آل بودن منبع جریان و با صرف نظر از r_0 تمامی

ترانزیستورها، بهره $\left| \frac{V_{out}}{V_{in}} \right|$ به کدام مورد نزدیک تر است؟ (فرض کنید $\beta = 100$ و $V_T = \frac{KT}{q} = 25mV$ است.)



(۱) ۷۵

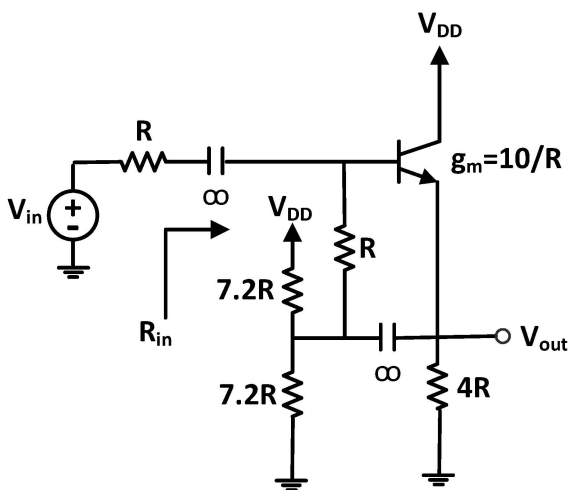
(۲) ۱۰۰

(۳) ۱۵۰

(۴) ۲۰۰

۶۰- با فرض بایاس شدن ترانزیستور در ناحیه خطی (فعال)، $\alpha = 0.99$ ، $V_A = \infty$ و $g_m = \frac{10}{R}$ ، مقاومت ورودی

R_{in} به کدام مورد نزدیک تر است؟



(۱) $5R$

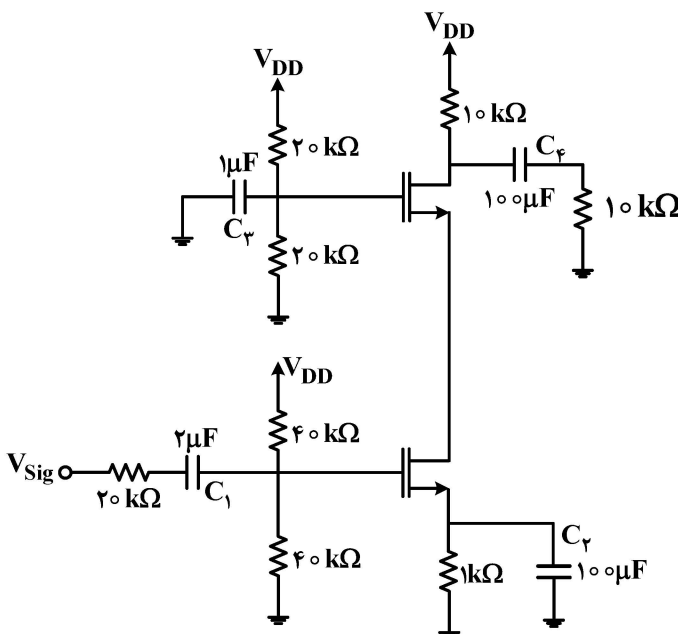
(۲) $2R$

(۳) $20R$

(۴) $10R$

۶۱- در مدار زیر، فرکانس قطع پایین، به کدام مورد (برحسب $\frac{rad}{s}$) نزدیک تر است؟ (فرض کنید g_m تمامی

ترانزیستورها، برابر $10mS$ و $r_0 = \infty$ باشد.)



(۱) ۲۲

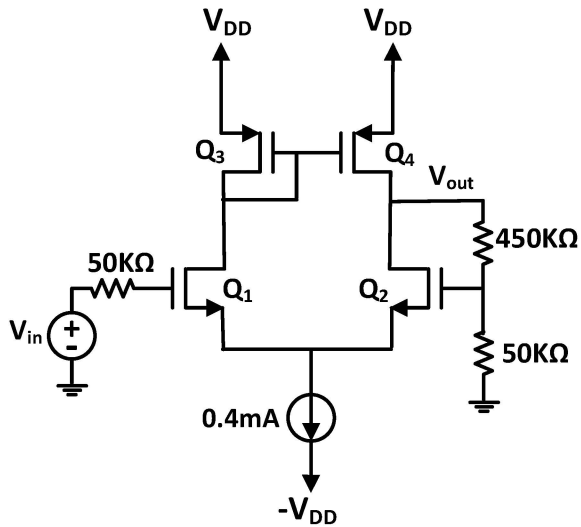
(۲) ۵۵

(۳) ۱۱۰

(۴) ۲۲۰

۶۲- با فرض بایاس شدن تمامی ترانزیستورها در ناحیه اشباع (فعال)، ایده آل بودن منبع جریان، $v_{ov} = 0.25V$ و

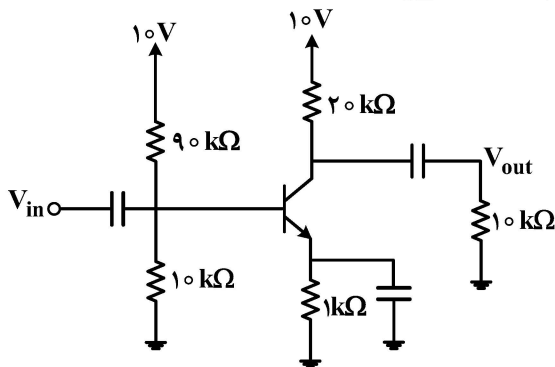
$\lambda = 0.1V^{-1}$ برای تمامی ترانزیستورها، بهره $\left| \frac{V_{out}}{V_{in}} \right|$ به کدام مورد نزدیک تر است؟



- (۱) ۱۲
- (۲) ۱۰
- (۳) ۸
- (۴) ۵

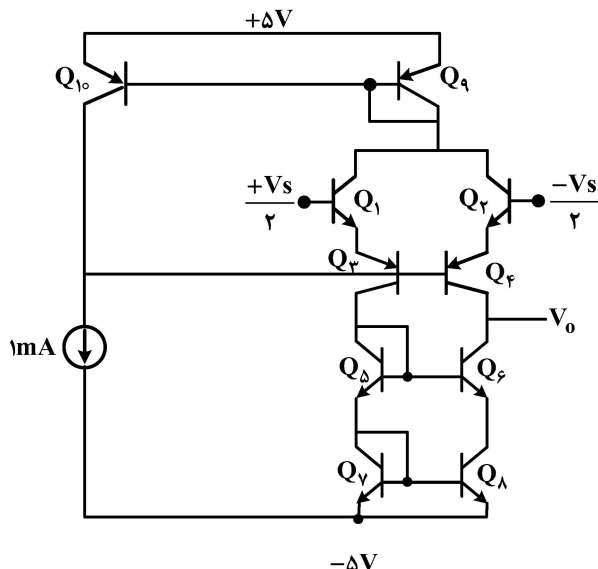
۶۳- در مدار شکل زیر، با فرض بزرگ بودن کافی همه خازن‌ها، محدوده تغییرات ولتاژ خروجی (V_{out}) از طرف بالا و

پایین کدام است؟ ($V_{CE(sat)} = 0.2V$, $\beta = 100$, $V_{BE-on} = 0.7V$)



- (۱) $\min(V_{out}) = -3.5V$ و $\max(V_{out}) = 2V$
- (۲) $\min(V_{out}) = -3V$ و $\max(V_{out}) = 2V$
- (۳) $\min(V_{out}) = -3.5V$ و $\max(V_{out}) = 3.3V$
- (۴) $\min(V_{out}) = -3V$ و $\max(V_{out}) = 3.3V$

۶۴- در مدار زیر، مقدار بهره ولتاژ $\left(\frac{V_o}{V_s} \right)$ به کدام مورد نزدیک تر است؟ (کلید ترانزیستورها مشابه هستند).

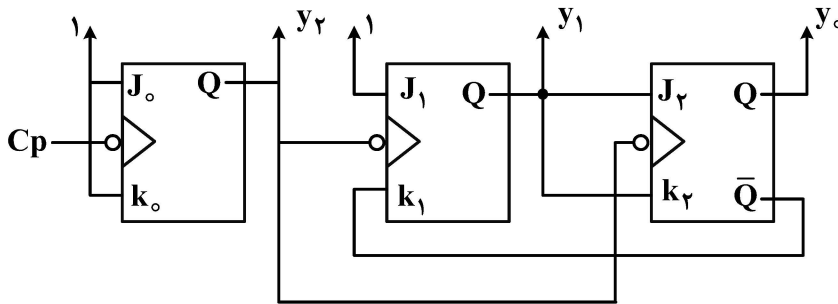


($V_A = 100V$, $V_T = 25mV$, $\beta = 100$)

- (۱) +۲۰۰۰
- (۲) +۴۰۰۰
- (۳) +۸۰۰۰
- (۴) +۲۰۰۰۰

۶۵- شمارنده شکل زیر، مورد نظر است. اگر در زمانی مقادیر $y_2 y_1 y_0 = 101$ باشد، پس از اتمام پالس ساعت بعدی،

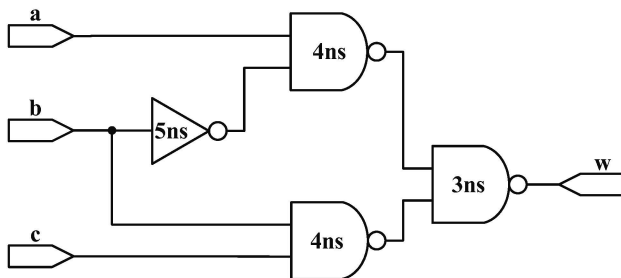
محتوای شمارنده چه خواهد بود؟



- (۱) $y_2 y_1 y_0 = 000$
- (۲) $y_2 y_1 y_0 = 011$
- (۳) $y_2 y_1 y_0 = 110$
- (۴) $y_2 y_1 y_0 = 010$

۶۶- در مدار زیر، یک Hazard و در نتیجه یک glitch (پالس کوتاه) ناخواسته وجود دارد. مشخصات آن کدام است؟

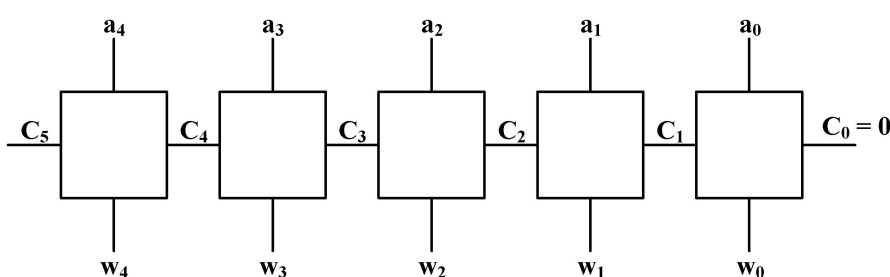
(تأخیر گیت‌ها در شکل مشخص شده است.)



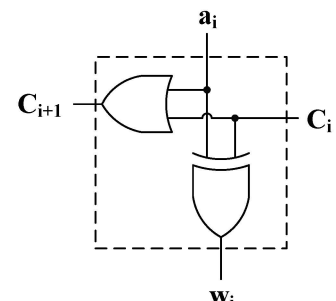
- (۱) هرگاه $abc = 111$ باشند و b از ۱ به ۰ تغییر کند، ۷ns پس از این تغییر یک پالس منفی با اندازه ۵ns در خروجی دیده خواهد شد.
- (۲) هرگاه $abc = 111$ باشند و c از ۰ به ۱ تغییر کند، ۷ns پس از این تغییر یک پالس منفی با اندازه ۵ns در خروجی دیده خواهد شد.
- (۳) هرگاه $abc = 111$ باشند و b از ۱ به ۰ تغییر کند، ۱۲ns پس از این تغییر یک پالس منفی با اندازه ۵ns در خروجی دیده خواهد شد.
- (۴) هرگاه $abc = 111$ باشند و b از ۱ به ۰ تغییر کند، ۷ns پس از این تغییر یک پالس منفی با اندازه ۱۲ns در خروجی دیده خواهد شد.

۶۷- ساختار gate-level داده شده در شکل (۱) در یک ساختار cascade استفاده شده و مدار شکل (۲) را می‌سازد.

ورودی این مدار $a[4:0]$ و خروجی آن $w[4:0]$ است. خروجی این مدار پنج بیتی، کدام مورد است؟



شکل (۲)



شکل (۱)

- (۲) $w[4:0] = 2's \text{ Complement}(a[4:0])$
- (۴) $w[4:0] = a[4:0] + 2's \text{ Complement}(1)$

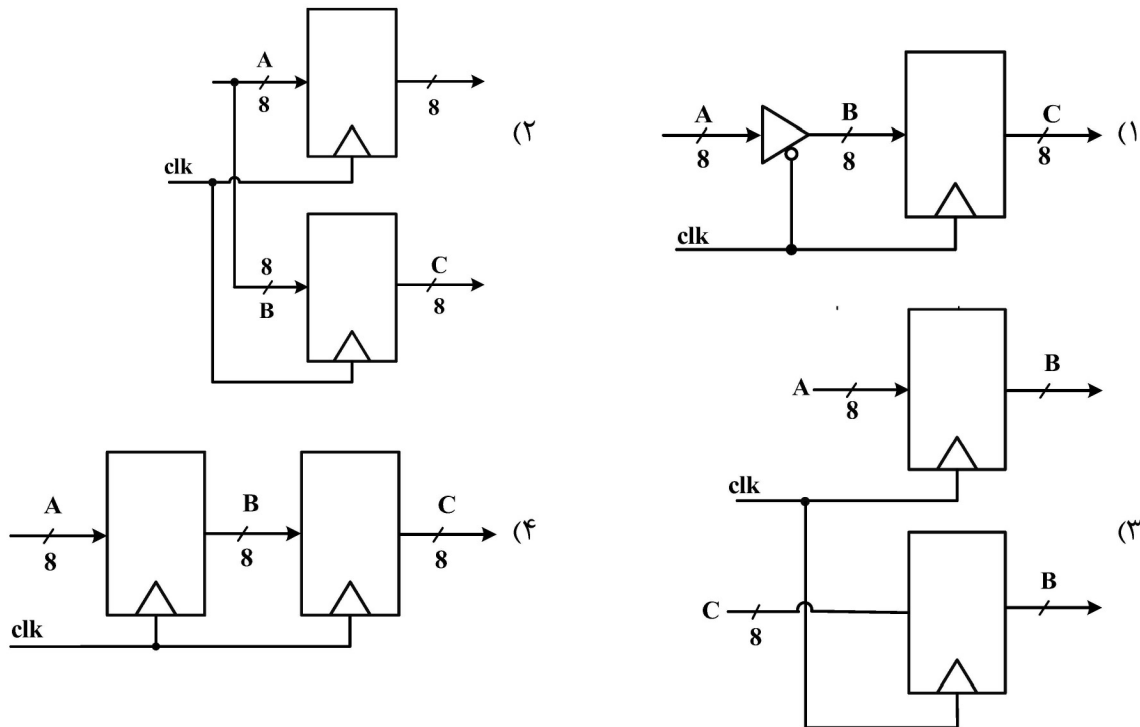
- (۱) $w[4:0] = a[4:0] + 1$
- (۳) $w[4:0] = a[4:0]$

۶۸- کدام مدار، توسط قطعه کد Verilog زیر توصیف می‌شود؟

در مدارهای زیر، نشانگر رجیستر و نشانگر بافر است.

```

module whatIsThis (clk, A, B, C);
  input clk;
  input [7:0] A;
  output reg [7:0] B, C;
  always @ (posedge clk) begin
    B <= A;
    C <= B;
  end
endmodule
    
```

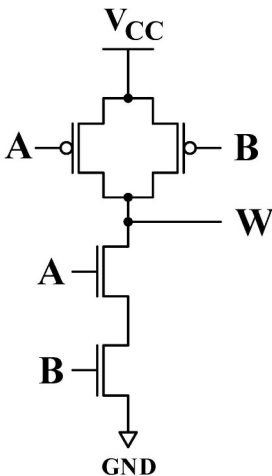


۶۹- تأخیرهای t_{o1} ، t_{o0} و t_{oZ} برای ترانزیستورهای nmos و pmos با دید شبیه‌سازی در Verilog HDL به ترتیب از قرار زیر هستند:

pmos#(۴, ۶, ۹) // (to 1, to 0, to Z)

nmos#(۳, ۵, ۷) // (to 1, to 0, to Z)

برای یک دروازه NAND دو ورودی CMOS، به ترتیب بدترین تأخیر برای t_{o1} و t_{o0} چه مقدار است؟



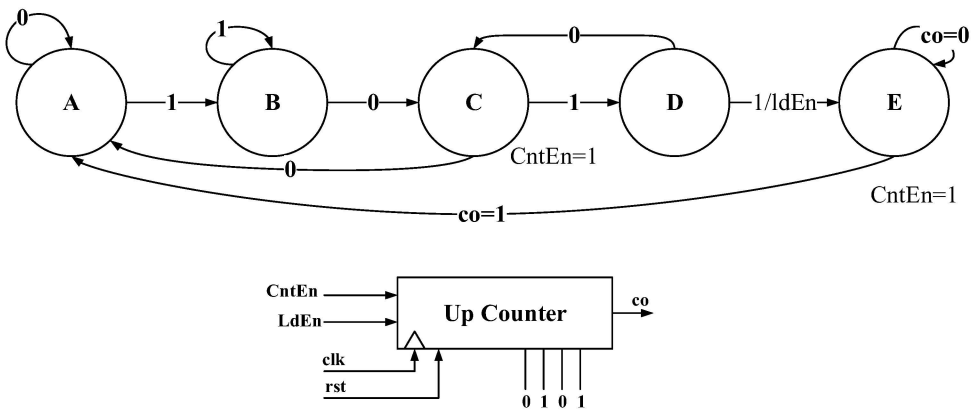
(۱) ۷ و ۹

(۲) ۱۰ و ۱۴

(۳) ۱۰ و ۱۲

(۴) ۹ و ۱۴

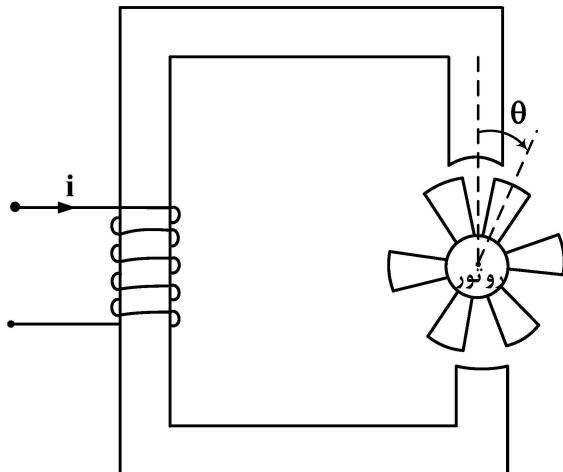
۷۰- با توجه به ماشین حالت و شمارنده زیر، کدام مورد درست است؟



- (۱) رشته ۱۰۱۱ تشخیص داده می‌شود و با پیدا کردن رشته به اندازه ۵ کلاک صبر کرده و سپس دوباره به پیدا کردن همین رشته می‌پردازد.
- (۲) رشته ۱۰۱۱ تشخیص داده می‌شود و با پیدا کردن رشته به اندازه ۱۰ کلاک صبر کرده و سپس دوباره به پیدا کردن همین رشته می‌پردازد.
- (۳) رشته ۱۰۱۱ تشخیص داده می‌شود و با پیدا کردن رشته به اندازه ۱۱ کلاک صبر کرده و سپس دوباره به پیدا کردن همین رشته می‌پردازد.
- (۴) رشته ۱۰۱۰ تشخیص داده می‌شود و با پیدا کردن رشته به اندازه ۱۲ کلاک صبر کرده و سپس دوباره به پیدا کردن همین رشته می‌پردازد.

ماشین‌های الکتریکی (۱ و ۲) و تحلیل سیستم‌های انرژی الکتریکی ۱:

۷۱- اندوکتانس سیستم الکترومغناطیسی زیر، به صورت $k_1 + k_2 \cos(k_2 \theta)$ است که در آن، k_i ($i=1, 2, 3$) ضرایب ثابتی هستند. حداقل و حداکثر اندوکتانس به ترتیب برابر 0.2 هانری و 1 هانری است. اگر جریان ورودی برابر 10 آمپر DC باشد، به ازای $\theta = 15^\circ$ ، اندازه گشتاور وارد شده به روتور، چند نیوتن - متر است؟ (از مقاومت مغناطیسی آهن صرف نظر می‌شود).



- (۱) ۸۰
- (۲) ۱۲۰
- (۳) ۲۴۰
- (۴) صفر

۷۲- یک حلقه آهنی به طول متوسط ۲۰ سانتی متر و ضریب نفوذپذیری مغناطیسی نسبی ۱۰۰، دارای یک فاصله هوایی به طول یک میلی متر است. از یک سیم پیچی ۲۰۰ دوری روی حلقه مزبور، ۱/۵ آمپر جریان عبور می دهیم. اگر از شکفتگی شار در فاصله هوایی چشم پوشی و $\mu_0 = 10^{-6}$ فرض شود، چگالی شار مغناطیسی در فاصله هوایی بر حسب تسلا چقدر است؟

- (۱) ۰/۱
- (۲) ۰/۱۵
- (۳) ۰/۲
- (۴) ۰/۳

۷۳- یک ژنراتور DC شنت با مقاومت های آرمیچر و میدان به ترتیب ۱ اهم و ۴۰ اهم، یک موتور DC سری را تغذیه می کند. ولتاژ داخلی ژنراتور برابر ۲۲۵ ولت و جریان آرمیچر آن ۲۵ آمپر است. مجموع مقاومت های آرمیچر و میدان موتور سری برابر ۰/۵ اهم است و بار ۱۰۰ نیوتن - متری را در حالت دائمی می چرخاند. اگر از عکس العمل آرمیچر هر دو ماشین چشم پوشی شود، سرعت موتور در حالت دائمی، چند رادیان بر ثانیه است؟

- (۱) ۸۴
- (۲) ۷۲
- (۳) ۶۶
- (۴) ۳۸

۷۴- یک موتور DC با تحریک آهنربای دائم به منبع تغذیه ۲۵۰ ولت وصل شده است. موتور بدون بار مکانیکی می چرخد و در این حال، جریان اندکی می کشد و سرعت آن ۲۰۰ رادیان بر ثانیه است. مقاومت مدار آرمیچر یک اهم است. اگر بار ۱۰۰ نیوتن - متری به موتور وصل شود و از عکس العمل آرمیچر چشم پوشی شود، سرعت موتور چند رادیان بر ثانیه است؟

- (۱) ۲۰۰
- (۲) ۱۷۰
- (۳) ۱۳۶
- (۴) ۱۰۰

۷۵- کدام ژنراتور DC، ضعیف ترین تنظیم ولتاژ را عرضه می کند؟

- (۱) شنت
- (۲) سری
- (۳) کمپوند اضافی
- (۴) کمپوند نقصانی

۷۶- یک موتور القایی سه فاز روتور سیم پیچی شده ۲۲۰ اسب بخار، ۵۰ هرتز و ۸ قطب برای کنترل یک هواکش به کار می رود. گشتاور هواکش با مربع سرعت تغییر می کند. در بار کامل، لغزش موتور ۰/۰۴ است. نمودار گشتاور - لغزش موتور از بی باری تا بار کامل، خطی است. مقاومت سیم پیچی فاز روتور ۰/۰۲ اهم است. برای چرخش هواکش در سرعت ۶۰۰ دور بر دقیقه، چه مقاومتی بر حسب اهم باید به روتور اضافه کرد؟

- (۱) ۰/۱۲۴
- (۲) ۰/۱۲۹
- (۳) ۰/۱۴۴
- (۴) ۰/۱۶۴

۷۷- حداکثر گشتاور یک موتور القایی سه فاز ۸ قطب، ۶ هرتز برابر ۵۰۰ نیوتن - متر است که در سرعت ۷۲۰ دور بر دقیقه رخ می دهد. توان مکانیکی تبدیل شده برای این موتور در سرعت ۸۱۰ دور بر دقیقه، چند وات است؟ (از مقاومت استاتور صرف نظر شود).

(۱) $\frac{13500}{\pi}$

(۲) 12000π

(۳) 10800π

(۴) 13300π

۷۸- توان عبوری از شکاف هوایی در یک ماشین القایی سه فاز، ۶ قطبی، ۵۰ هرتز در سرعت ۹۵۰ دور بر دقیقه، برابر ۴۰۰ کیلووات و در سرعت ۸۰۰ دور بر دقیقه، برابر ۶۰۰ کیلووات است. نسبت تلفات اهمی روتور در سرعت ۸۰۰ دور بر دقیقه به تلفات اهمی روتور در سرعت ۹۵۰ دور بر دقیقه کدام است؟

(۱) ۲

(۲) ۴

(۳) ۶

(۴) ۸

۷۹- یک ترانسفورماتور تک فاز ۲۰ کیلوولت - آمپر و ۴۴۰/۲۲۰ ولت در نصف بار کامل دارای تلفات آهنی ۵۰۰ وات است. اگر مقاومت مدار سری ۰/۰۲ پریونیت باشد، بازده بیشینه این ترانسفورماتور، در چه کسری از بار کامل اتفاق می افتد؟

(۱) $\sqrt{\frac{3}{2}}$

(۲) $\frac{\sqrt{5}}{2}$

(۳) $\frac{\sqrt{6}}{2}$

(۴) $\sqrt{\frac{7}{2}}$

۸۰- راکتانس مدار معادل سری یک ترانسفورماتور تک فاز، برابر ۰/۰۴ پریونیت است. اگر ثانویه ترانسفورماتور را اتصال کوتاه کنیم، با اعمال $\sqrt{2}\%$ ولتاژ نامی اولیه، جریان نامی در آن جاری می شود. تنظیم ولتاژ در بار نامی و ضریب توان ۰/۶ پیش فاز، تقریباً چند درصد است؟

(۱) ۱

(۲) ۲

(۳) ۳

(۴) ۴

۸۱- یک بار مصرفی تک فاز، توان لحظه‌ای $P(t)$ را در ولتاژ سینوسی با حداکثر دامنه 500 ولت دریافت می‌کند. میزان خازن موازی لازم برای بهبود ضریب توان این بار مصرفی به عدد ۱، چند میکروفاراد است؟

$$P(t) = 1000\pi(1 + \cos(200\pi t + 30^\circ)) + 500\pi \sin(200\pi t + 30^\circ) [w]$$

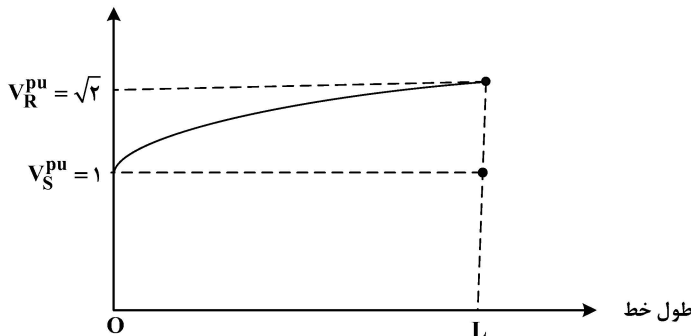
(۱) ۵

(۲) ۱۰

(۳) ۲۰

(۴) ۲۵

۸۲- یک خط انتقال سه فاز بدون تلفات ترانسپوز شده بی بار، با طول L در فرکانس 50 Hz وجود دارد. با فرض ثابت بودن ولتاژ ابتدای خط انتقال، طول خط چند کیلومتر است؟ (ولتاژ یکایی ابتدای خط V_S^{pu} و ولتاژ یکایی انتهای خط V_R^{pu} است.)



(خط V_R^{pu} است.)

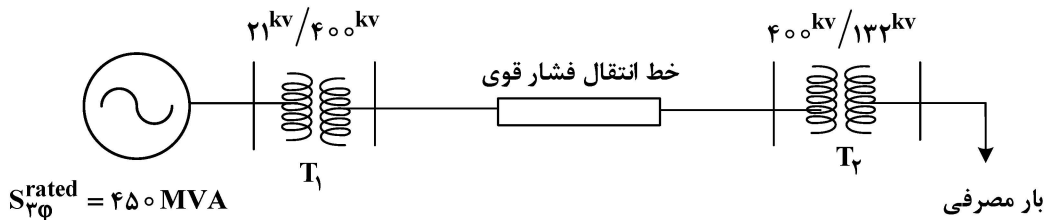
(۱) ۲۵۰

(۲) ۵۰۰

(۳) ۷۵۰

(۴) ۱۰۰۰

۸۳- در مدار شکل زیر که یک سیستم انرژی الکتریکی متعادل سه فاز سینوسی است، چه نوع اتصالی برای ترانسفورماتور T_1 مناسب است؟ (همه ولتاژهای نشان داده شده از نوع مؤثر خط (فاز - فاز) هستند.)



(۱) Δ/Δ (سمت فشار ضعیف، ستاره زمین شده و سمت فشار قوی، مثلث)

(۲) Δ/Δ (هر دو سمت فشار قوی و فشار ضعیف، با اتصال مثلث)

(۳) Δ/Δ (هر دو سمت فشار قوی و فشار ضعیف، با اتصال ستاره زمین شده)

(۴) Δ/Δ (سمت فشار ضعیف، مثلث و سمت فشار قوی، ستاره زمین شده)

۸۴- یک سیستم انرژی الکتریکی دارای ۳۹ باس با ماتریس ادمیتانس مشخص است. با اضافه کردن یک خط انتقال جدید بین باس‌های ۱۵ و ۱۶، نصب یک خازن موازی بین باس ۱۷ و زمین و اتصال یک بار مصرفی توان ثابت به باس ۱۸، چه تعداد از درایه‌های ماتریس ادمیتانس باس تغییر می‌کنند؟

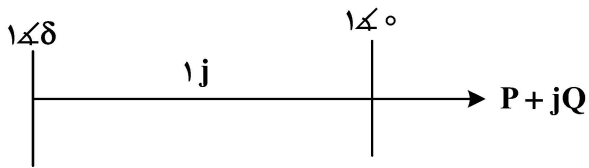
(۱) ۵

(۲) ۴

(۳) ۳

(۴) ۲

۸۵- در سیستم زیر، حداکثر توان P ممکن به بار منتقل می شود. ضریب توان بار چه مقدار است؟



(۱) 0.707 پیش فاز

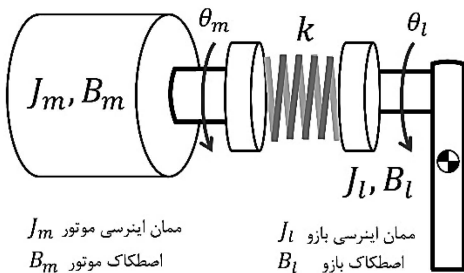
(۲) 0.707 پیش فاز

(۳) صفر پیش فاز

(۴) صفر پس فاز

سیستم های کنترل خطی:

۸۶- در سیستم مکانیکی زیر، تابع تبدیل خروجی زاویه موتور (θ_m) به گشتاور موتور (u) کدام است؟



J_m, B_m ممان اینرسی موتور
اصطکاک موتور

J_l, B_l ممان اینرسی بازو
اصطکاک بازو

$k =$ ثابت فنر پیچشی

$$P_m = J_m s^2 + B_m s + k$$

$$P_l = J_l s^2 + B_l s + k$$

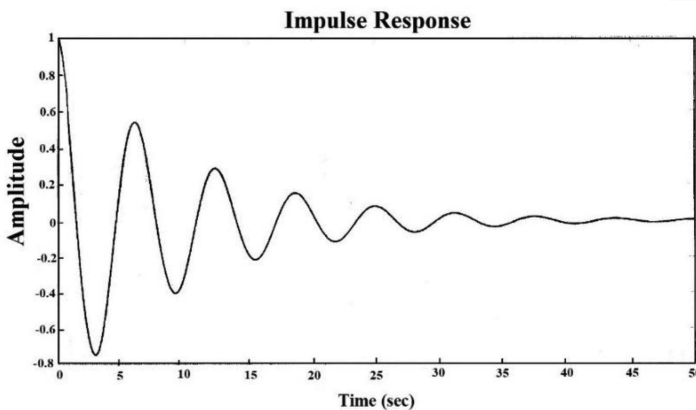
$$G(s) = \frac{kP_m}{P_m P_l - k^2} \quad (1)$$

$$G(s) = \frac{KP_l}{P_m P_l + B_m P_l + B_l P_m} \quad (2)$$

$$G(s) = \frac{kP_m}{P_m P_l + B_m P_l + B_l P_m} \quad (3)$$

$$G(s) = \frac{P_l}{P_m P_l - k^2} \quad (4)$$

۸۷- نمودار زیر، پاسخ ضربه کدام سیستم می تواند باشد؟



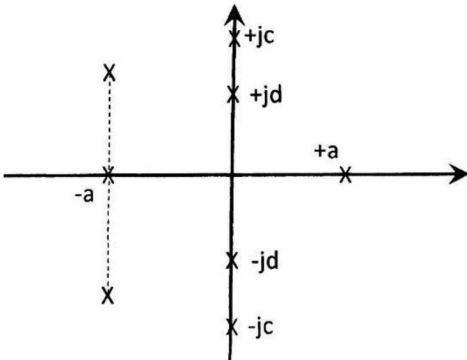
$$\frac{1}{s^2 + 0.2s + 1} \quad (1)$$

$$\frac{s}{s^2 + 0.2s + 1} \quad (2)$$

$$\frac{s}{s^2 + 1.4s + 1} \quad (3)$$

$$\frac{1}{s^2 + 2s + 1} \quad (4)$$

۸۸- در یک سیستم مرتبه ۸، ساختار کلی قطب‌های تابع تبدیل حلقه بسته سیستم مطابق شکل زیر است. کدام مورد، در خصوص فرم جدول راث چند جمله‌ای مشخصه آن صحیح است؟



(۱) جدول، ۹ سطر خواهد داشت و یک سطر کاملاً صفر و یک تغییر علامت در ستون اول نیز خواهد داشت ولی مشخص نیست کدام سطر صفر خواهد شد و تغییر علامت کجا رخ خواهد داد.

(۲) جدول، ۹ سطر خواهد داشت و صرفاً سطر s^1 آن کاملاً صفر خواهد شد. تا قبل از سطر s^1 هیچ تغییر علامتی نخواهیم داشت و بعد از آن یک تغییر علامت در ستون اول خواهیم داشت.

(۳) جدول، ۹ سطر خواهد داشت و سطر s^5 آن کاملاً صفر خواهد شد. تا قبل از سطر s^6 هیچ تغییر علامتی نخواهیم داشت و بعد از سطر s^5 یک تغییر علامت در ستون اول خواهیم داشت.

(۴) جدول، ۹ سطر خواهد داشت و صرفاً یک سطر متناظر s^3 کاملاً صفر خواهد شد. تا قبل از سطر s^3 هیچ تغییر علامتی نخواهیم داشت و بعد از آن سطر، یک تغییر علامت در ستون اول خواهیم داشت.

۸۹- سیستم حلقه باز زیر با پارامتر نامعلوم a را در نظر بگیرید:

$$L(s) = \frac{s - 10}{(s^2 - 4)(s^2 + 1)(s + 3)(s + a)}$$

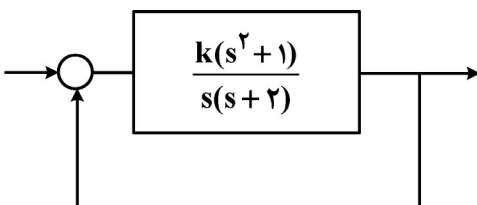
نمودار مکان ریشه برای این سیستم را رسم و مشاهده کرده‌ایم به‌ازای مقدار بهره K . قطب‌های حلقه بسته در مکان‌های تقریبی زیر قرار گرفته‌اند. مقدار تقریبی پارامتر a ، کدام است؟

p_1	p_2	p_3	p_4	p_5	p_6
$7/1$	$5/1 + 7/6j$	$5/1 - 7/6j$	$-6/6 + 10/2j$	$-6/6 - 10/2j$	-14

- (۱) ۷
(۲) ۵
(۳) ۳

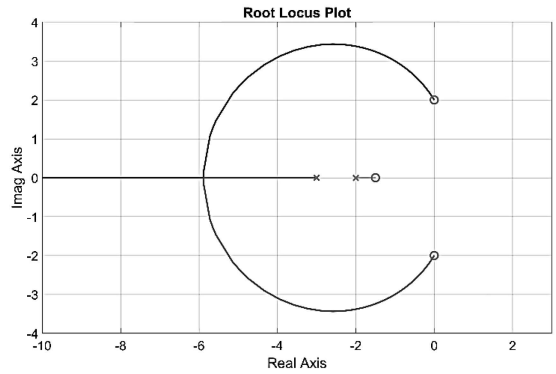
(۴) بدون دانستن K ، نمی‌توان مقدار پارامتر a را تعیین کرد.

۹۰- سیستم زیر را در نظر بگیرید. مقدار ریشه که در آن بیشترین حساسیت ریشه‌ها به تغییر بهره حلقه باز وجود دارد، کدام است؟

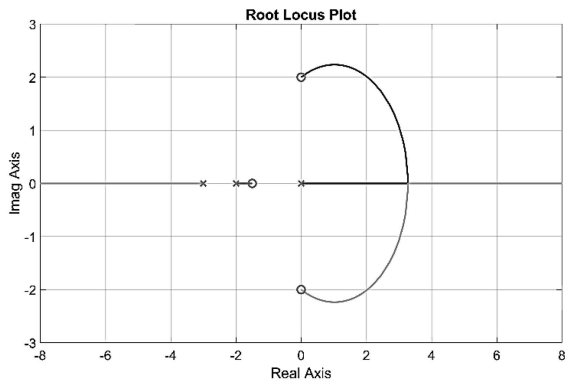


- (۱) $\frac{\sqrt{5} - 1}{2}$
(۲) $\frac{1 + \sqrt{5}}{2}$
(۳) $\frac{1 - \sqrt{5}}{2}$
(۴) $\frac{1 \pm \sqrt{5}}{2}$

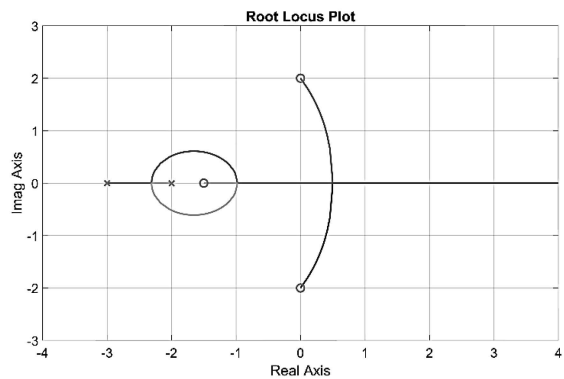
۹۱- مکان هندسی ریشه‌های سیستمی با تابع تبدیل حلقه $G(s) = K \frac{s^3 + 1/5s^2 + 4s + 6}{s^3 + 5s^2 + 6s}$ در حلقه فیدبک واحد مثبت به ازای $K > 0$ کدام است؟



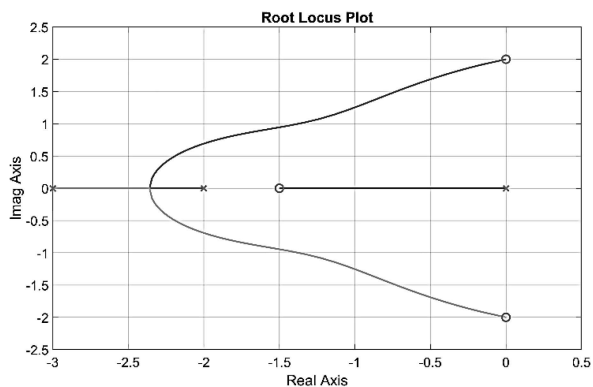
(۱)



(۲)



(۳)



(۴)

۹۲- یک سیستم کنترل فیدبک واحد منفی با تابع تبدیل حلقه $KG(s)$ و $k = 10,000$ را در نظر بگیرید که پاسخ فرکانسی

$G(s)$ در جدول زیر داده شده است. کدام مورد در پاسخ پله سیستم در حالت ماندگار می تواند وجود داشته باشد؟

ω (rad/s)	mdb	ph(deg)	
0.0100	73.9799	-269.1979	$A \sin(1.6/\omega t + \theta_1)$ (۱)
0.0264	48.7200	-267.8854	$B \sin(1.7t + \theta_2)$ (۲)
0.1129	10.8900	-260.9758	$C \sin(5.4t + \theta_3)$ (۳)
0.1833	-1.6310	-255.4268	$D \sin(1.7/\omega t + \theta_4)$ (۴)
0.2976	-13.9798	-246.6658	
1.2743	-46.7026	-192.9119	
2.0691	-54.6726	-171.6340	
5.4556	-66.7103	-151.0355	
8.8587	-72.2737	-156.9430	
14.3845	-78.7163	-173.3416	
23.3572	-86.8425	-196.2010	
100.0000	-120.3385	-249.0988	

۹۳- اگر نمودار نایکوئیست سیستم $L(s) = \frac{e^{-s}}{s+1}$ را رسم کنیم، این نمودار چند بار مبدأ صفحه $L(s)$ را به طور خالص

دور می زند؟

(۱) صفر

(۲) ۱

(۳) ۲

(۴) بی نهایت

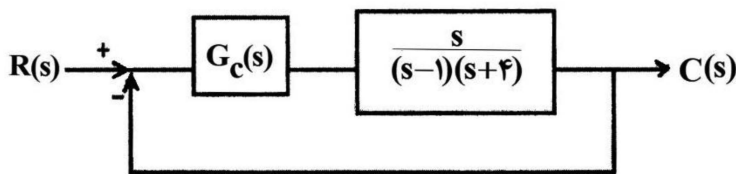
۹۴- برای سیستم کنترلی زیر، کدام کنترل کننده مناسب است؟

$$G_c(s) = \frac{K}{s(s-1)} \quad (۱)$$

$$G_c(s) = \frac{K}{s-1} \quad (۲)$$

$$G_c(s) = K \frac{s+4}{s+1} \quad (۳)$$

$$G_c(s) = \frac{K}{s+1} \quad (۴)$$



۹۵- پاسخ فرکانسی تابع تبدیل حلقه یک سیستم فیدبک واحد در شکل زیر نشان داده شده است. ساده ترین

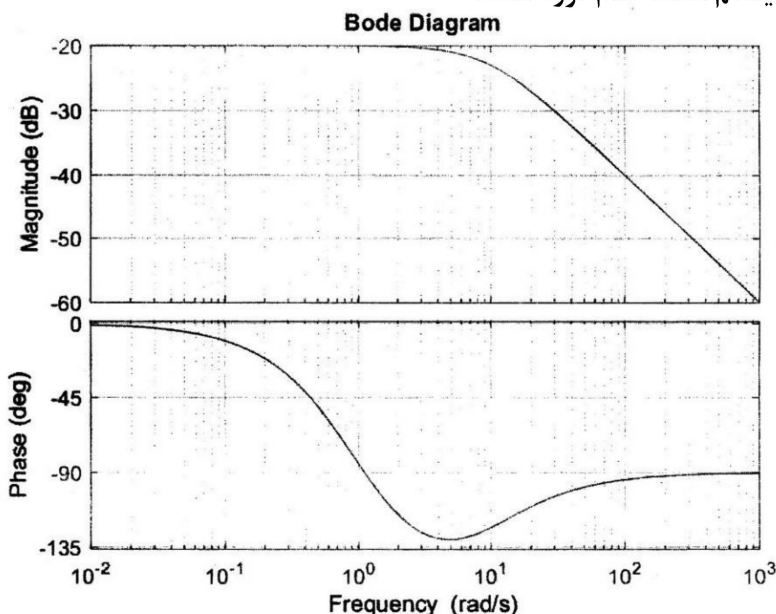
کنترل کننده ای که قادر به پایدارسازی این سیستم است، کدام مورد است؟

(۱) تناسبی - مشتقی - انتگرالی PID

(۲) تناسبی - انتگرالی PI

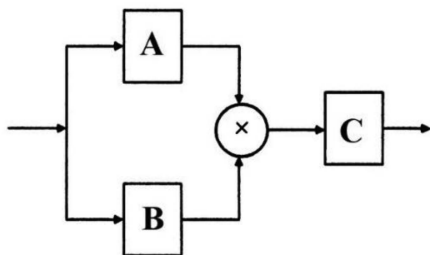
(۳) تناسبی - مشتقی PD

(۴) تناسبی P



سیگنال‌ها و سیستم‌ها:

۹۶- سیستم پیوسته زمان D از ترکیب سه زیر سیستم A، B و C و یک ضرب کننده به شکل زیر ساخته شده است. کدام مورد، همواره درست است؟



(۱) اگر هر سه زیرسیستم A، B و C خطی و پایدار باشند، آن گاه سیستم D خطی و پایدار است.

(۲) اگر هر سه زیرسیستم A، B و C علی و پایدار باشند، آن گاه سیستم D علی و پایدار است.

(۳) اگر هر سه زیرسیستم A، B و C علی و وارون پذیر باشند، آن گاه سیستم D علی و وارون پذیر است.

(۴) اگر هر سه زیرسیستم A، B و C خطی و وارون پذیر باشند، آن گاه سیستم D خطی و وارون پذیر است.

۹۷- پاسخ یک سیستم پیوسته زمان LTI با پاسخ ضربه $h_1[n]$ به ورودی $x_1[n]$ را $y_1[n]$ و پاسخ یک سیستم پیوسته زمان LTI با پاسخ ضربه $h_2[n]$ به ورودی $x_2[n]$ را $y_2[n]$ می نامیم. اگر بدانیم $x_2[n] = x_1[n - 2]$ و $h_2[n] = h_1[n - 5]$ ، رابطه بین $y_1[n]$ و $y_2[n]$ کدام است؟

(۱) $y_2[n] = y_1[n + 3]$

(۲) $y_2[n] = y_1[n - 3]$

(۳) $y_2[n] = y_1[n + 7]$

(۴) $y_2[n] = y_1[n - 7]$

۹۸- ضرایب سری فوریه سیگنال پیوسته زمان $x(t) = 2 \sin\left(\frac{2\pi}{\gamma} t\right)$ را a_k و ضرایب سری فوریه سیگنال گسسته زمان

$y[n] = 2 \sin\left(\frac{2\pi}{\gamma} n\right)$ را b_k می نامیم. اگر دوره تناوب هر دو سیگنال γ باشد، کدام گزاره درست است؟

(۱) $b_{\epsilon} = a_{-\gamma}$

(۲) $b_{\epsilon} = b_{\gamma}$

(۳) $a_{\epsilon} = b_{-\gamma}$

(۴) $a_{\epsilon} = a_{\gamma}$

۹۹- اگر سیگنال مختلط $x(t)$ دارای تبدیل فوریه به فرم $X(j\omega) = A(\omega) + jB(\omega)$ که $A(\omega)$ و $B(\omega)$ توابع حقیقی از ω هستند) باشد، کدام مورد تبدیل فوریه $\{j \text{Im}\{x(t)\}$ (بخش موهومی $x(t)$) را نمایش می دهد؟ (Od: بخش فرد تابع و Ev: بخش زوج تابع را معرفی می کند).

(۱) $j \text{Ev}\{B(\omega)\}$

(۲) $\text{Ev}\{A(\omega)\} - \text{Od}\{B(\omega)\}$

(۳) $\text{Od}\{A(\omega)\} + j \text{Ev}\{B(\omega)\}$

(۴) $\text{Re}\{X(j\omega)\} - j \text{Im}\{X(-j\omega)\}$

۱۰۰- کدام مورد، تبدیل فوریه $u(t) \cos(\omega_0 t)$ است؟

$$(1) \frac{\pi}{2} [\delta(\omega - \omega_0) + \delta(\omega + \omega_0)] - \frac{j\omega}{\omega^2 - \omega_0^2}$$

$$(2) \pi [\delta(\omega - \omega_0) + \delta(\omega + \omega_0)]$$

$$(3) \frac{-j\omega}{\omega^2 - \omega_0^2}$$

$$(4) \frac{-\omega_0}{\omega^2 - \omega_0^2}$$

۱۰۱- سیستم A، عملکرد کمربند ایمنی خودرو در هنگام بستن آن توسط راننده و سیستم B، عملکرد کیسه هوای خودرو در هنگام تصادف است. با نگاه فیلتر (پالایه) انتخاب فرکانسی، A و B به ترتیب چگونه هستند؟

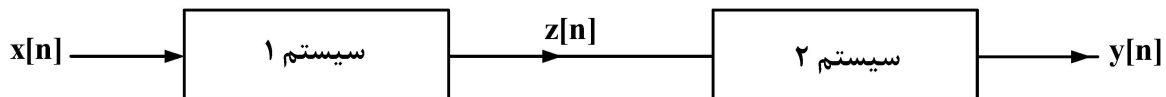
(۱) پایین گذر - پایین گذر

(۲) بالاگذر - بالاگذر

(۳) پایین گذر - بالاگذر

(۴) بالاگذر - پایین گذر

۱۰۲- سیستم زیر را که از دو زیرسیستم ۱ و ۲ تشکیل شده است، در نظر بگیرید. مقدار $\epsilon_y = \frac{1}{2\pi} \int_{-\pi}^{\pi} |Y(e^{j\omega})|^2 d\omega$ چقدر است؟



سیستم ۱ : $z[n] = x[n] - x[n-2] - z[n-1]$

سیستم ۲ : $y[n] = y[n-1] + z[n] + z[n-1]$

برای سیگنال ورودی: $x[n] = \delta[n] + \delta[n-1] + \delta[n-2]$

(۱) ∞

(۲) ۴

(۳) 2π

(۴) ۱۰

۱۰۳- رابطه بین پاسخهای ضربه فیلترهای پایین گذر و بالاگذر ایده آل در دو حالت گسسته و پیوسته زمان، در کدام مورد درست است؟ (در هر یک از دو حالت، فرکانس قطع فیلتر پایین گذر با فرکانس قطع فیلتر بالاگذر مساوی است.)

(۱) $h_{hp}[n] = h_{lp}[-n]$ و $h_{hp}(t) = h_{lp}(-t)$

(۲) $h_{hp}[n] = \delta[n] - h_{lp}[n]$ و $h_{hp}(t) = \delta(t) - h_{lp}(t)$

(۳) $h_{hp}[n] = (-1)^n h_{lp}[n]$ و $h_{hp}(t) = \delta(t) - h_{lp}(t)$

(۴) $h_{hp}[n] = (-1)^n h_{lp}[n]$ و $h_{hp}(t) = 1 - h_{lp}(t)$

۱۰۴- تابع تبدیل یک سیستم خطی تغییرناپذیر با زمان به صورت $H(s) = K \frac{s+a}{s+b}$ است. اگر این سیستم به‌ازای ورودی

$x(t) = \cos(t)$ خروجی $y(t) = \sin(t)$ را بدهد، به ترتیب، متغیرهای a و b کدام هستند؟ (می‌دانیم که $j = \sqrt{-1}$)

(۱) $-K$ و $\frac{1}{K}$

(۲) $-jK$ و $\frac{1}{jK}$

(۳) $-\frac{1}{K}$ و K

(۴) $-\frac{1}{jK}$ و jK

۱۰۵- رابطه خروجی بر حسب ورودی یک سیستم، به صورت زیر است. این رابطه در حوزه z ، با کدام مورد مطابقت دارد؟

$$y[n] = \begin{cases} x\left[\frac{n}{2}\right], & n = 2k, k = 0, \pm 1, \pm 2, \dots \\ x\left[\frac{n-1}{2}\right], & n = 2k+1, k = 0, \pm 1, \pm 2, \dots \end{cases}$$

(۱) $Y(z) = (1+z^{-1})X(z)$

(۲) $Y(z) = (1+z)X(z)$

(۳) $Y(z) = (1+z^{-1})X(z^2)$

(۴) $Y(z) = (1+z)X(z^2)$

الکترومغناطیس:

۱۰۶- به‌ازای کدام تابع، میدان $\vec{E} = ye^{-x} \sin x \hat{a}_x + f(x) \hat{a}_y$ شرایط میدانی الکتریکی ساکن را دارا است؟

(۱) $f(x) = \frac{1}{2} e^{-x} (\sin x + \cos x)$

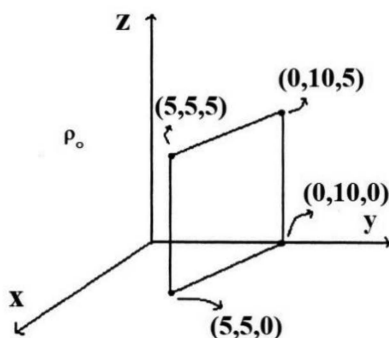
(۲) $f(x) = \frac{1}{2} e^{-x} (\cos x - \sin x)$

(۳) $f(x) = -\frac{1}{2} e^{-x} (\sin x + \cos x)$

(۴) $f(x) = \frac{1}{2} e^{-x} (\sin x - \cos x)$

۱۰۷- یک صفحه بی‌نهایت با چگالی بار سطحی $\rho_s = \rho_0$ در صفحه xz قرار دارد. شار الکتریکی گذرنده از صفحه مستطیلی

نمایش داده‌شده در شکل زیر، چه ضریبی از ρ_0 است؟



(۱) ۵۰

(۲) ۲۵

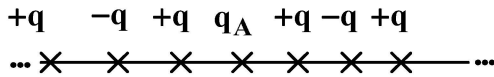
(۳) $\frac{75}{2}$

(۴) $\frac{25}{2}$

۱۰۸- در شکل زیر، زنجیره‌ای از بارهای $+q$ و $-q$ بر روی یک خط راست، تا بی‌نهایت قرار دارند. فاصله بین دو بار

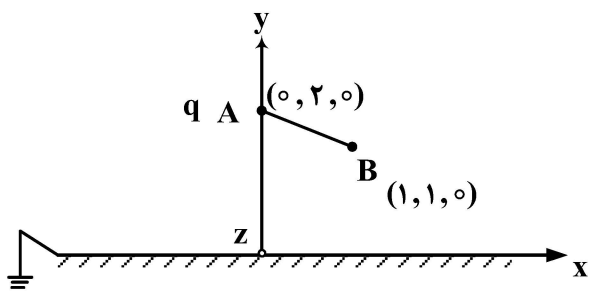
متوالی، a است. کار لازم برای دور کردن بار q_A از زنجیر و بردن آن به بی‌نهایت بر حسب $\frac{q_A q}{\pi \epsilon_0 a}$ ، کدام است؟

$(\ln(1+x) = x - \frac{x^2}{2} + \frac{x^3}{3} - \frac{x^4}{4} + \dots)$



- (۱) $\frac{\ln 2}{2}$
- (۲) $-\frac{\ln 2}{2}$
- (۳) $\frac{\ln 2}{4}$
- (۴) $-\frac{\ln 2}{4}$

۱۰۹- بار نقطه‌ای q در نقطه A به مختصات $(0, 2, 0)$ و در بالای یک صفحه هادی کامل بی‌نهایت طویل که منطبق بر صفحه xz است، قرار دارد. این بار به آرامی از نقطه A به نقطه B منتقل می‌شود. کار انجام‌شده توسط صفحه هادی زمین‌شده بر حسب



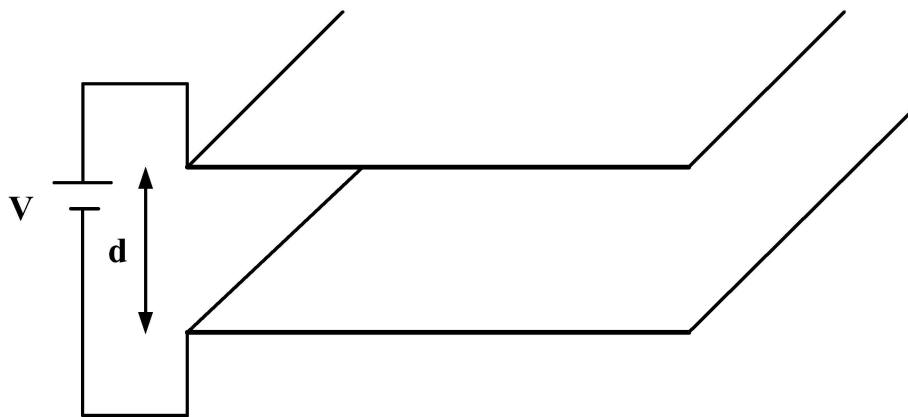
چند ژول است؟ $\frac{q^2}{\pi \epsilon_0}$

- (۱) $\frac{1}{32}$
- (۲) $\frac{1}{8}$
- (۳) $-\frac{1}{32}$
- (۴) $-\frac{1}{8}$

۱۱۰- دو حلقه سیمی دایروی هم‌مرکز و هم‌صفحه با شعاع‌های r_1 و r_2 در فضای آزاد در دست است. فرض کنید $r_1 \ll r_2$ باشد. ضریب القای متقابل M بر حسب هانری بین این دو حلقه کدام است؟

- (۱) $M = \frac{2\pi\mu_0 r_1^2}{r_1}$
- (۲) $M = \frac{\pi\mu_0 r_1^2}{2r_1}$
- (۳) $M = \frac{2\pi\mu_0 r_1^2}{r_2}$
- (۴) $M = \frac{\pi\mu_0 r_1^2}{2r_2}$

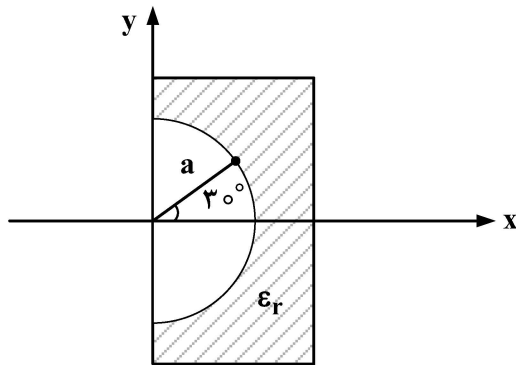
۱۱۱- دو صفحه یک خازن به فاصله d از یکدیگر قرار گرفته‌اند. فشار وارده بر هر کدام از صفحات خازن در اثر اعمال میدان الکتریکی، برابر کدام است؟ (س سطح مقطع صفحات خازن و ρ_s چگالی بار سطحی صفحه است.)



- (۱) $\frac{\rho_s^2 V}{d}$
- (۲) $\frac{\rho_s^2}{2\epsilon_0 \epsilon_r}$
- (۳) $\frac{\rho_s V}{d \cdot s}$
- (۴) $\frac{\rho_s^2}{\epsilon_0 \epsilon_r}$

۱۱۲- در شکل زیر، میدان الکتریکی در نقطه برابر $\vec{E} = 6\hat{a}_\rho - 4\hat{a}_\phi$ است (ρ و ϕ مختصات دستگاه استوانه‌ای است). اگر

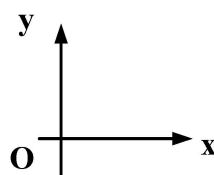
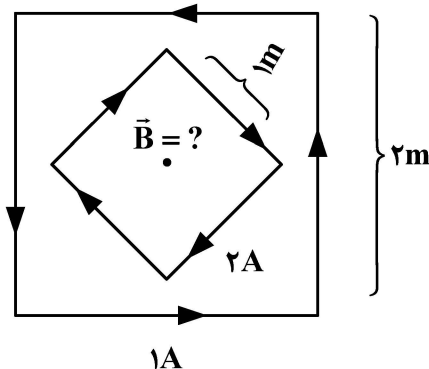
بخواهیم میدان در $\rho > a$ در زاویه 30° موازی محور x باشد، ثابت دی‌الکتریک نسبی ϵ_r چقدر باید باشد؟



- (۱) $\frac{\sqrt{3}}{2}$
- (۲) $\frac{2}{\sqrt{3}}$
- (۳) $\frac{4}{\sqrt{3}}$
- (۴) $\frac{\sqrt{3}}{4}$

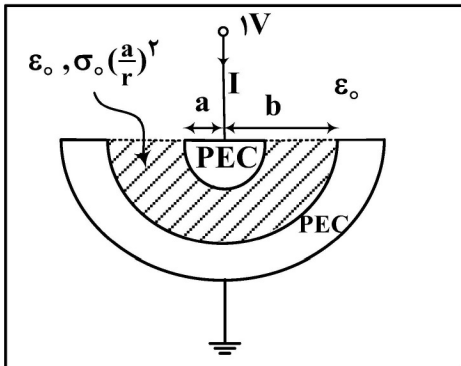
۱۱۳- مطابق شکل زیر، دو حلقه هادی مربع‌شکل به صورت هم‌مرکز در صفحه xOy قرار دارند. طول ضلع حلقه کوچک‌تر $1m$ و حلقه بزرگ‌تر $2m$ است. اگر از حلقه کوچک‌تر، جریان $2A$ و از حلقه بزرگ‌تر، جریان یک آمپر عبور کند، چگالی شار

مغناطیسی \vec{B} در مرکز حلقه‌ها، بر حسب $\frac{\mu_0}{\pi} \vec{a}_z$ چقدر است؟



- (۱) -1
- (۲) 1
- (۳) $-3\sqrt{2}$
- (۴) $3\sqrt{2}$

۱۱۴- مطابق شکل زیر، فضای بین دو الکتروود نیم‌کره‌ای به شعاع داخلی a و شعاع بیرونی b با یک ماده با ضریب رسانایی $\sigma = \sigma_0 \left(\frac{a}{r}\right)^2$ و ضریب دی‌الکتریک ϵ_0 پر شده است. اگر اختلاف پتانسیل دو الکتروود یک ولت باشد، جریان کل عبوری از رسانا (I) چقدر است؟



عبوری از رسانا (I) چقدر است؟

(۱) $-2\pi\sigma_0(b-a)$

(۲) $-\frac{2\pi\sigma_0 a^2}{b-a}$

(۳) $-2\pi\sigma_0 a^2 \left(\frac{1}{a} - \frac{1}{b}\right)$

(۴) $-2\pi\sigma_0 a \ln\left(\frac{b}{a}\right)$

۱۱۵- شدت میدان مغناطیسی نامتغیر با زمان در مختصات استوانه‌ای به صورت $\vec{H} = e^{-\rho} \hat{\phi}$ داده شده است. چگالی جریان الکتریکی که این میدان مغناطیسی را ایجاد کرده است، کدام است؟

(۱) $e^{-\rho} (1-\rho) \hat{z}$

(۲) $e^{-\rho} (1-\rho) \hat{\phi}$

(۳) $\frac{e^{-\rho} (1-\rho)}{\rho} \hat{\phi}$

(۴) $\left[e^{-\rho} \left(\frac{1-\rho}{\rho}\right) \right] \hat{z}$

مقدمه‌ای بر مهندسی زیست پزشکی:

۱۱۶- بی خطر بودن کاشتنی‌های ارتوپدی در بدن از لحاظ بیولوژیکی در مدت زمان عملکرد آن، نشانگر کدام مفهوم است؟

Bio adhesion (۲)

Bio inert (۱)

Bio Compatibility (۴)

Blood Compatibility (۳)

۱۱۷- کدام ویژگی، مربوط به دیالایزر با صفحات موازی نیست؟

(۲) حجم اولیه خون کم

(۱) مقاومت پایین

(۴) نرخ فیلتراسیون قابل پیش‌بینی

(۳) سیستم تبادل همسو

۱۱۸- در ECG یک بیمار، کمپلکس QRS، ۳۰ میلی‌ثانیه طول کشیده است. دامنه ثبت شده از آن یک میلی‌ولت است. در این مدت، چند یون کلر وارد بدن شده یا از بدن خارج می‌شود؟ (هر آمپر = 6.24×10^{18} الکترون در ثانیه و مقاومت

هادی حجمی یک مگا اهم فرض شود.)

(۱) 1.87×10^6 - وارد

(۲) 1.87×10^6 - خارج

(۳) 3.74×10^6 - وارد

(۴) 3.74×10^6 - خارج

۱۱۹- در ثبت سیگنال در الکتروانسفالوگرام، تقویت کننده باید کدام مشخصات را داشته باشد؟

- | | |
|---------------------------|-------------------------|
| (۱) CMRR بالا - بهره زیاد | (۲) CMRR بالا - بهره کم |
| (۳) CMRR کم - بهره زیاد | (۴) CMRR کم - بهره کم |

۱۲۰- استرین گیج، براساس کدام مورد کار می کند؟

- | | |
|---------------------|--------------------|
| (۱) خازن متغیر | (۲) سطح تماس متغیر |
| (۳) اندوکتانس متغیر | (۴) مقاومت متغیر |

۱۲۱- فرکانس قطع در یک ترانسدیوسر پیزوالکتریک، برابر با چند هرتز است؟

(ظرفیت خازن = پیکوفاراد 45° ، امپدانس ورودی = 2 مگا اهم) ($\pi = 3$)

- (۱) $92/5$
- (۲) $125/5$
- (۳) 185
- (۴) 370

۱۲۲- تغییر اندوکتانس یک سنسور القایی، با کدام فاکتور رابطه غیر خطی دارد؟

- | | |
|--------------------|-----------------------|
| (۱) شکل هندسی | (۲) تعداد دور سیم پیچ |
| (۳) نفوذپذیری محیط | (۴) عایق کاری سیم ها |

۱۲۳- مهم ترین دلیل استفاده از تقویت کننده های با CMRR بالا، کدام مورد می تواند باشد؟

- | | |
|---------------------|------------------------------|
| (۱) بهره بالا | (۲) حذف نویز مشترک |
| (۳) حذف کلیه نویزها | (۴) امپدانس ورودی تفاضل بالا |

۱۲۴- الکترو رتینوگرام در هنگام تحریک بینایی، برای اندازه گیری کدام مورد استفاده می شود؟

- | | |
|---------------------------|-----------------------------------|
| (۱) حرکت چشم | (۲) اندازه مردمک |
| (۳) فعالیت الکتریکی شبکیه | (۴) فعالیت الکتریکی کورتکس بینایی |

۱۲۵- امپدانس تماسی در الکترودهای مکشی، چه وضعیتی دارد؟

- | | |
|----------|-----------------------|
| (۱) بالا | (۲) پایین |
| (۳) صفر | (۴) قابل صرف نظر کردن |

