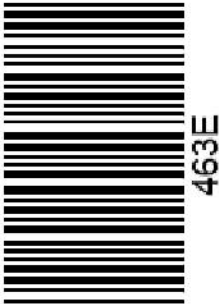


کد کنترل

463

E



## آزمون ورودی دوره‌های کارشناسی ارشد ناپیوسته داخل - سال ۱۴۰۱

صبح چهارشنبه  
۱۴۰۱/۰۲/۲۸



جمهوری اسلامی ایران  
وزارت علوم، تحقیقات و فناوری  
سازمان سنجش آموزش کشور

«اگر دانشگاه اصلاح شود مملکت اصلاح می‌شود.»  
امام خمینی (ره)

### فوتونیک (کد ۱۲۰۵)

زمان پاسخ‌گویی: ۲۷۰ دقیقه

تعداد سؤال: ۱۳۰

جدول مواد امتحانی، تعداد و شماره سؤال‌ها

| ردیف | مواد امتحانی                 | تعداد سؤال | از شماره | تا شماره |
|------|------------------------------|------------|----------|----------|
| ۱    | زبان عمومی و تخصصی (انگلیسی) | ۳۰         | ۱        | ۳۰       |
| ۲    | الکترومغناطیس                | ۲۰         | ۳۱       | ۵۰       |
| ۳    | فیزیک مدرن                   | ۲۰         | ۵۱       | ۷۰       |
| ۴    | مکانیک کوانتومی              | ۲۰         | ۷۱       | ۹۰       |
| ۵    | الکترونیک                    | ۲۰         | ۹۱       | ۱۱۰      |
| ۶    | اپتیک                        | ۲۰         | ۱۱۱      | ۱۳۰      |

این آزمون نمره منفی دارد.

استفاده از ماشین حساب مجاز نیست.

حق چاپ، تکثیر و انتشار سؤال‌ها به هر روش (الکترونیکی و...) پس از برگزاری آزمون، برای همه اشخاص حقیقی و حقوقی تنها با مجوز این سازمان مجاز می‌باشد و با متخلفان بر ابر مقررات رفتار می‌شود.

\* متقاضی گرامی، وارد نکردن مشخصات و امضا در کادر زیر، به منزله غیبت و حضور نداشتن در جلسه آزمون است.

اینجانب ..... با شماره داوطلبی ..... با آگاهی کامل، یکسان بودن شماره سندلی خود را با شماره داوطلبی مندرج در بالای کارت ورود به جلسه، بالای پاسخنامه و دفترچه سؤالها، نوع و کد کنترل درج شده بر روی دفترچه سؤالها و پایین پاسخنامهام را تأیید می‌نمایم.

امضا:

زبان عمومی و تخصصی (انگلیسی):

## PART A: Vocabulary

**Directions:** Choose the word or phrase (1), (2), (3), or (4) that best completes each sentence. Then mark the answer on your answer sheet.

- 1- Growing older and more decrepit appeared to be an ----- and necessary part of being human.  
1) inevitable                      2) intangible                      3) unforeseeable                      4) unsentimental
- 2- I don't really think I'd have the ----- to finish a marathon!  
1) concern                      2) candor                      3) endurance                      4) autonomy
- 3- Her marriage started to improve once her husband finally ----- he had an anger problem and began to take counseling.  
1) identified                      2) emerged                      3) hesitated                      4) acknowledged
- 4- Society is an interdependent system that ----- widespread cooperation to function.  
1) proceeds                      2) requires                      3) fascinates                      4) conveys
- 5- Our blue planet is a ----- . Life depends on water, yet in its natural form, the water in the oceans will not sustain us because we cannot drink salt water.  
1) refuge                      2) remedy                      3) paradox                      4) vacillation
- 6- I thought I was buying a/an ----- native Indian carving, but discovered later that it was machine-made.  
1) genuine                      2) definitive                      3) secretive                      4) artificial
- 7- The entrepreneur had a well-deserved reputation for -----, having accurately anticipated many changes unforeseen by established business leaders.  
1) modesty                      2) hindsight                      3) prescience                      4) extroversion
- 8- Studies of longevity among turtles are sometimes ----- by the fact that the subjects live so long that researchers retire before the studies can be completed.  
1) stabilized                      2) hampered                      3) diversified                      4) verified
- 9- Kevlar is a ----- new material which is used for everything from airplane wings, to bullet-proof vests, to hockey sticks.  
1) prescriptive                      2) versatile                      3) dormant                      4) derivative
- 10- If exploitation of the planet's resources continues as at present, then the lifestyle we currently enjoy ----- the risk of causing significant damage to the world.  
1) proposes                      2) puts                      3) shapes                      4) runs

**PART B: Cloze Test**

*Directions: Read the following passage and decide which choice (1), (2), (3), or (4) best fits each space. Then mark the correct choice on your answer sheet.*

Scientists and philosophers have been grappling with the relationship between language and thought for centuries. There have always been (11) ----- that our picture of the Universe depends on our native tongue. Since the 1960s, however, (12) ----- the ascent of thinkers like Noam Chomsky, and a host of cognitive scientists, (13) ----- that linguistic differences don't really matter, (14) ----- language is a universal human trait, and that our ability to talk to one another owes more to our shared genetics (15) ----- . But now the pendulum is beginning to swing the other way as psychologists re-examine the question.

- |     |                                |                                 |
|-----|--------------------------------|---------------------------------|
| 11- | 1) that they argue             | 2) those who argue              |
|     | 3) an argument by those        | 4) arguing those who            |
| 12- | 1) with                        | 2) for                          |
|     | 3) by                          | 4) in                           |
| 13- | 1) whose consensus             | 2) who has the consensus        |
|     | 3) the consensus has been      | 4) is the consensus             |
| 14- | 1) a                           | 2) the                          |
|     | 3) what                        | 4) that                         |
| 15- | 1) and our cultures vary       | 2) than to our varying cultures |
|     | 3) than our cultures that vary | 4) as to our varying cultures   |

**PART C: Reading Comprehension**

*Directions: Read the following three passages and answer the questions by choosing the best choice (1), (2), (3), or (4). Then mark the correct choice on your answer sheet.*

**PASSAGE 1:**

Fibers, which allow more than one bound solution for each polarization, are termed multimode fibers. Each mode will propagate with its own velocity and have a unique field distribution. Fibers with large cores and high numerical apertures will typically allow many modes to propagate. This often allows a larger amount of light to be transmitted from incoherent sources such as light-emitting diodes (LEDs).

A fiber with a suitable index gradient will support a wide range of modes with nearly the same phase velocity. Vassell was among the first to show this, and demonstrated that a hyperbolic secant profile could very nearly equalize the velocity of all modes.

The energy distribution in a single-mode fiber is a consequence of the boundary conditions at the core-cladding interface, and is therefore a function of optical frequency. A change in frequency will therefore change the propagation constant independent of the dispersion of the core and cladding materials; this result in what is commonly termed waveguide dispersion. Since dispersion of the core and cladding materials differs, a change in frequency can result in a small but measurable change in index profile, resulting in profile dispersion.

Material, waveguide, and profile dispersion act together, the waveguide dispersion being of opposite sign to that of the material dispersion. There exists, therefore, a wavelength at which the total dispersion will vanish. Beyond this, the fiber exhibits a region of anomalous dispersion in which the real part of the propagation constant increases with increasing wavelength.

- 16- What are the characteristics of each mode?**
- 1) A unique delay and acceleration
  - 2) A unique field distribution and specific velocity
  - 3) A unique velocity saturation and color
  - 4) A variable frequency and propagation delay
- 17- What is typically expected from fibers with large cores and high numerical apertures?**
- 1) They allow many modes to propagate.
  - 2) They are easy to manufacture.
  - 3) They cannot be a good media for single mode propagation.
  - 4) They weigh more and are less expensive.
- 18- What causes the vanishing effect of dispersion in a waveguide at a specific wavelength?**
- 1) The opposite sign of the waveguide and material dispersion
  - 2) The opposite direction of light waves
  - 3) The propagation delay of specific wavelength
  - 4) The multi-mode condition of the waveguide
- 19- What kind of fibers will allow multi-mode propagation?**
- 1) With extra thickness
  - 2) With more light density
  - 3) With multi-mode cores and more efficiency
  - 4) With high numerical aperture and large cores
- 20- What is the cause of profile dispersion?**
- 1) The change in index profile
  - 2) The change in waveguide
  - 3) The change in field distribution
  - 4) Short links

## PASSAGE 2:

The optical fiber found its first large-scale application in telecommunications systems. Beginning with the first LED-based systems, the technology progressed rapidly to longer wavelengths and laser-based systems of repeater lengths over 30 km. The first applications were primarily digital, since source nonlinearities precluded multichannel analog applications.

Early links were designed for the 800- to 900-nm window of the optical fiber transmission spectrum, consistent with the emission wavelengths of the GaAs-AlGaAs materials system for semiconductor lasers and LEDs. The development of sources and detectors in the design of dispersion-shifted single mode fiber along the availability of erbium-doped fiber amplifiers has solidified 1.55  $\mu\text{m}$  as the wavelength of choice for high-speed communications.

The largest currently emerging application for optical fibers is in the local area network (LAN) environment for computer data communications, and the local

subscriber loop for telephone, video, and data services for homes and small businesses. Both of these applications place a premium on reliability, connectivity, and economy.

The simplest optical communications system is the single-channel point-to-point digital link. It consists of a diode laser, optical fiber, where for moderate power levels, the fiber is a passive, dispersive transmission channel. Dispersion can limit system performance in two ways. It results in a spreading of data pulses by an amount proportional to the spectral width of the source. This pulse spreading produces what is commonly termed "intersymbol interference", and lastly a detector.

- 21- What is the largest application of optical fiber?**
- |                      |                                   |
|----------------------|-----------------------------------|
| 1) LED applications  | 2) Local communication            |
| 3) Laser environment | 4) Local area network environment |
- 22- What material has solidified the high-speed communications?**
- |          |          |           |            |
|----------|----------|-----------|------------|
| 1) Si-Ge | 2) Ga-As | 3) Erbium | 4) Al-GaAs |
|----------|----------|-----------|------------|
- 23- Why were digital applications of the optical fiber used before analog ones?**
- 1) Analog signals had lower frequency spectrum.
  - 2) The fiber dispersion excluded the analog applications.
  - 3) Analog circuit complexity precluded its applications.
  - 4) The source nonlinearities precluded multichannel analog applications.
- 24- What is the simplest optical communication method?**
- 1) Single channel multi-band
  - 2) Point-to-point digital link
  - 3) Multi-channel digital communication
  - 4) Multi-band frequency modulated method
- 25- What is the reason for intersymbol interference?**
- |                    |                         |
|--------------------|-------------------------|
| 1) Signal noise    | 2) Pulse demodulation   |
| 3) Pulse spreading | 4) Input referred noise |

### **PASSAGE 3:**

Intersymbol interference should not be confused with an optical interference effect, but is simply the blurring of pulse energy into the neighboring time slot. In simple terms, it can be thought of as a reduction in the modulation depth of the signal as a function of link length. The effects of dispersion are often quantified in the form of a power penalty. This is simply a measure of the additional power required to overcome the effects of the dispersion, or bring the modulated power to what it would be in an identical link without dispersion. It is commonly expressed as a decibel ratio of the power required at the receiver compared to that of the ideal link.

Modulation-induced frequency chirp of the laser source will also result in pulse distortion. The accompanying population relaxation produces a frequency modulation of the pulse. Upon transmission through a dispersive link, these portions of the pulse which are "chirped" will be advanced or retarded, resulting in both pulse distortion and intersymbol interference.

The optical bandwidth available in either of the low-loss transmission windows of the fiber exceeds  $10^{13}$  Hz. Two ways of taking full advantage of this bandwidth are through the use of ultrashort pulse transmission combined with time-division

multiplexing or the use of wavelength/frequency-division multiplexing. Either technique can overcome the limits imposed by the channel dispersion, but both techniques have their limitations. The first technique seeks to turn fiber dispersion to advantage; the second attempts to simply reduce the negative effects of dispersion on a broadband optical signal.

- 26- Which of the following is correct with regard to intersymbol interference?
- 1) The dispersion of light signal
  - 2) An optical interference effect
  - 3) A dispersion effect
  - 4) The blurring of pulse energy into neighboring time slot
- 27- What is the effect of dispersion?
- 1) Reflection of signal
  - 2) Intersymbol interference
  - 3) Power penalty
  - 4) Frequency reduction
- 28- How does wavelength frequency division improve the broad-band optical signal?
- 1) It reduces the negative effects of dispersion.
  - 2) By improving the power consumption.
  - 3) It increases the signal to noise ratio.
  - 4) It reduces the amplitude of the out of band noise.
- 29- By which method, can the fiber dispersion be used as an advantage?
- 1) By using ultrashort pulse transmission combined with time-division multiplexing
  - 2) By use of wavelength/frequency-division multiplexing
  - 3) By multiplexing
  - 4) By multi-band
- 30- How is dispersion expressed?
- 1) As a decibel ratio of the power required at the ideal link compared to that of the receiver
  - 2) As a decibel ratio of The power required at the receiver compared to that of the ideal link
  - 3) As a ratio of the power required at the input link compared to that of the closed loop
  - 4) As a decibel ratio of the closed loop power to the open loop power

الکترومغناطیس:

۳۱- در خلاء یک خط بار مستقیم نامتناهی به موازات محور  $z$  قرار دارد و از نقطه  $x = 2m$  و  $y = -4m$  می‌گذرد. چگالی این خط با  $\lambda = 20 nC/m$  است. میدان الکتریکی در نقطه  $(x = -2m, y = -1m, z = 4m)$  از فضا بر حسب  $V/m$  کدام است؟

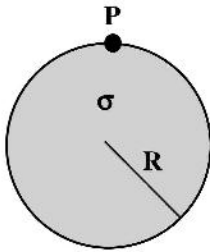
$$(1) -57,6\hat{x} + 43,2\hat{y}$$

$$(2) 57,6\hat{x} + 43,2\hat{y}$$

$$(3) -35,1\hat{x} + 26,3\hat{y} + 4\hat{z}$$

$$(4) 35,1\hat{x} + 26,3\hat{y} + 4\hat{z}$$

۳۲- پتانسیل الکتریکی حاصل از یک قرص نازک بردار به شعاع  $R$  که دارای بار سطحی با توزیع یکنواخت با چگالی  $\sigma$  می باشد در نقطه  $P$  واقع بر لبه قرص، کدام است؟



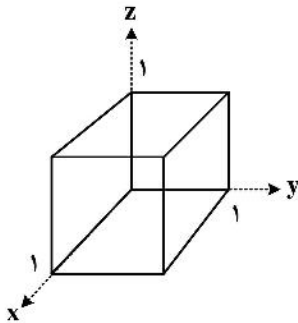
(۱)  $\frac{\sqrt{2}\sigma R}{4\pi\epsilon_0}$

(۲)  $\frac{\sigma R}{\sqrt{2}\pi\epsilon_0}$

(۳)  $\frac{\sigma R}{2\pi\epsilon_0}$

(۴)  $\frac{\sigma R}{\pi\epsilon_0}$

۳۳- حاصل انتگرال  $\oint_S \vec{F} \cdot \hat{n} da$  که  $\vec{F} = 4xz\hat{x} - y^2\hat{y} + yz\hat{z}$ ،  $S$  سطح بسته مکعب به ضلع واحد نشان داده شده در شکل زیر و  $\hat{n}$  بردار یکه عمود بر سطح است، کدام است؟



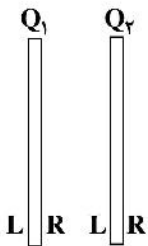
(۱) صفر

(۲)  $\frac{5}{2}$

(۳)  $\frac{7}{2}$

(۴)  $\frac{3}{2}$

۳۴- مطابق شکل دو صفحه تخت رسانای یکسان بسیار بزرگ به فاصله کمی از یکدیگر و موازی با هم در نظر بگیرید. هر صفحه شامل دو وجه است که با  $L$  و  $R$  مشخص شده اند. مساحت هر یک از وجوه  $A$  است. اگر بار الکتریکی کل صفحه ۱، برابر  $Q_1 = +q$  و بار الکتریکی کل صفحه ۲، برابر  $Q_2 = +3q$  باشد، چگالی بار سطحی روی وجوه این دو صفحه کدام است؟



(۱)  $\sigma_{1L} = -\frac{q}{A}, \sigma_{1R} = \frac{2q}{A}, \sigma_{2L} = \frac{2q}{A}, \sigma_{2R} = \frac{q}{A}$

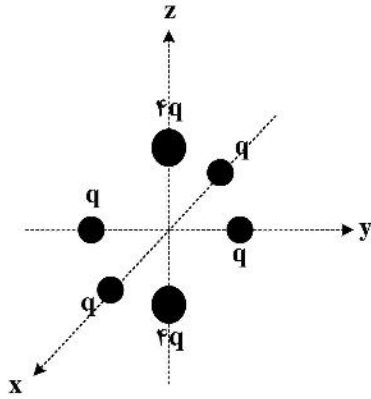
(۲)  $\sigma_{1L} = -\frac{q}{2A}, \sigma_{1R} = \frac{q}{2A}, \sigma_{2L} = \frac{3q}{2A}, \sigma_{2R} = \frac{3q}{2A}$

(۳)  $\sigma_{1L} = -\frac{2q}{A}, \sigma_{1R} = -\frac{q}{A}, \sigma_{2L} = \frac{q}{A}, \sigma_{2R} = \frac{2q}{A}$

(۴)  $\sigma_{1L} = 0, \sigma_{1R} = \frac{q}{A}, \sigma_{2L} = -\frac{q}{A}, \sigma_{2R} = \frac{4q}{A}$

۳۵- مطابق شکل زیر شش بار نقطه‌ای روی محورهای مختصات قرار دارند. فاصله تمام بارها از مبدأ مختصات یکسان و برابر  $a$  است. اگر  $Q_{ij}$  مؤلفه‌های تانسور گشتاور چهار قطبی الکتریکی در مختصات دکارتی باشد، کدام دسته روابط درست است؟

$$Q_{ij} = \int_V (3x_i x_j - \delta_{ij} r'^2) \rho(\vec{r}') dV'$$



$$Q_{xx} = -6qa^2, Q_{zz} = 12qa^2, Q_{yz} = 0 \quad (1)$$

$$Q_{xx} = -8qa^2, Q_{zz} = 18qa^2, Q_{yz} = 0 \quad (2)$$

$$Q_{xx} = -6qa^2, Q_{zz} = 12qa^2, Q_{yz} = 3qa^2 \quad (3)$$

$$Q_{xx} = -8qa^2, Q_{zz} = 18qa^2, Q_{yz} = 3qa^2 \quad (4)$$

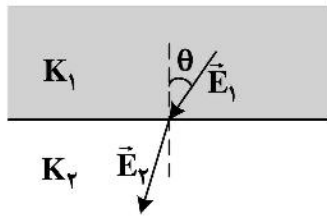
۳۶- مرز دو محیط دی‌الکتریک نیمه نامتناهی نشان داده شده در شکل فاقد بار الکتریکی آزاد سطحی است. اگر ثابت دی‌الکتریک این محیط‌ها  $K_1 = 1$  و  $K_2 = 2$  باشد کدام رابطه درست است؟

$$E_2 = \frac{E_1}{2} \sqrt{1 + 2 \sin^2 \theta} \quad (1)$$

$$E_2 = \frac{E_1}{2} \sqrt{1 + 3 \sin^2 \theta} \quad (2)$$

$$E_2 = \frac{E_1}{2} \sqrt{1 + 3 \cos^2 \theta} \quad (3)$$

$$E_2 = \frac{E_1}{2} \sqrt{1 + 2 \cos^2 \theta} \quad (4)$$



۳۷- بار الکتریکی نقطه‌ای  $Q$  به فاصله  $d$  از یک صفحه تخت رسانای نامتناهی قرار دارد. صفحه تخت رسانا در پتانسیل الکتریکی صفر نگه‌داشته شده است. انرژی الکتروستاتیکی ذخیره شده در کل فضا چقدر است؟

$$\frac{q^2}{32\pi\epsilon_0 d} \quad (1)$$

$$\frac{q^2}{16\pi\epsilon_0 d} \quad (2)$$

$$\frac{q^2}{8\pi\epsilon_0 d} \quad (3)$$

$$\frac{q^2}{4\pi\epsilon_0 d} \quad (4)$$



۳۸- اگر یک الکترون را کره‌ای به شعاع  $R$  تصور کنیم که بار الکتریکی آن،  $e$ ، به صورت یکنواخت در حجم آن توزیع شده و خود انرژی الکتریکی این کره باردار را برابر انرژی سکون الکترون،  $mc^2 = 0.511 \text{ MeV}$ ، فرض کنیم اندازه شعاع الکترون،  $R$ ، چند متر به دست می‌آید؟

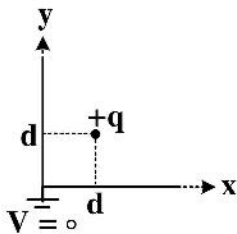
(۱)  $2.8 \times 10^{-18}$

(۲)  $1.7 \times 10^{-18}$

(۳)  $2.8 \times 10^{-15}$

(۴)  $1.7 \times 10^{-15}$

۳۹- بار نقطه‌ای  $+q$  مطابق شکل زیر در نقطه  $(d, d, 0)$  مقابل صفحه‌های تخت رسانای نیمه نامتناهی عمود بر هم  $x-z$  و  $y-z$  که در پتانسیل الکتریکی صفر نگه‌داشته شده‌اند قرار دارد. پتانسیل الکتریکی این مجموعه در نقطه  $(2d, 2d, 0)$  کدام است؟



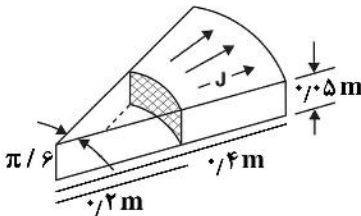
(۱)  $\frac{q}{4\pi\epsilon_0 d} \left( \frac{1}{\sqrt{2}} - \frac{2}{\sqrt{10}} \right)$

(۲)  $\frac{q}{4\pi\epsilon_0 d} \left( -\frac{1}{\sqrt{2}} + \frac{2}{\sqrt{10}} \right)$

(۳)  $\frac{q}{4\pi\epsilon_0 d} \left( \frac{4}{3\sqrt{2}} - \frac{2}{\sqrt{10}} \right)$

(۴)  $\frac{q}{4\pi\epsilon_0 d} \left( -\frac{4}{3\sqrt{2}} + \frac{2}{\sqrt{10}} \right)$

۴۰- رسانای نشان داده شده در شکل از جنس نقره با رسانندگی ویژه  $g = 6.2 \times 10^7 \Omega^{-1} \text{ m}^{-1}$  است. مقاومت الکتریکی این قطعه چند  $\Omega$  است؟ ( $\ln 2 = 0.69$ )



(۱)  $4.3 \times 10^{-7}$

(۲)  $2.1 \times 10^{-8}$

(۳)  $4.3 \times 10^{-6}$

(۴)  $2.1 \times 10^{-9}$

۴۱- یک خازن تخت که مساحت هر یک از صفحات آن  $A$  و فاصله بین آن‌ها  $d$  است با یک دی‌الکتریک با ثابت  $K$  پر شده است. در وضعیتی که خازن شارژ شده و میدان الکتریکی در ناحیه بین صفحات خازن  $E$  است، اندازه نیروی وارد بر هر یک از صفحات خازن کدام است؟

(۱)  $2k\epsilon_0 AE^2$

(۲)  $k\epsilon_0 AE^2$

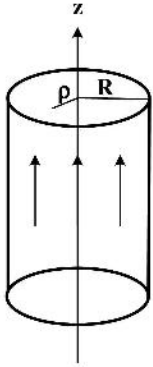
(۳)  $\frac{1}{4} k\epsilon_0 AE^2$

(۴)  $\frac{1}{2} k\epsilon_0 AE^2$

۴۲- شدت میدان مغناطیسی در ناحیه داخل یک رسانای استوانه‌ای طویل به شعاع  $R = 1\text{cm}$  در مختصات استوانه‌ای

برحسب  $\text{A/m}$  به صورت  $\vec{H} = \frac{10^4}{\rho} \left( \frac{rR^2}{\pi^2} \sin\left(\frac{\pi r}{2R}\right) - \frac{rR\rho}{\pi} \cos\left(\frac{\pi r}{2R}\right) \right) \hat{\phi}$  است. جریان الکتریکی کل گذرنده

از سطح مقطع این رسانا چند آمپر است؟



(۱)  $\frac{\lambda}{\pi^2}$

(۲)  $\frac{\rho/\lambda}{\pi^2}$

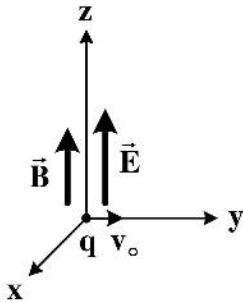
(۳)  $\frac{\lambda}{\pi}$

(۴)  $\frac{\rho/\lambda}{\pi}$

۴۳- ذره‌ای به جرم  $m$  و بار الکتریکی  $q$  در لحظه  $t = 0$  مطابق شکل زیر از مبدأ مختصات با سرعت اولیه  $v_0$  در جهت

محور  $Z$  وارد ناحیه‌ای از فضا می‌شود که در آن میدان‌های یکنواخت الکتریکی  $\vec{E}$  و مغناطیسی  $\vec{B}$  در جهت محور  $Z$  برقرار است. این ذره پس از سه دور چرخش حول محور  $Z$  (از لحظه  $t = 0$ ) چقدر در راستای محور  $Z$  جابه‌جا

شده است؟



(۱)  $6\pi^2 \frac{mE}{qB^2}$

(۲)  $18\pi^2 \frac{mE}{qB^2}$

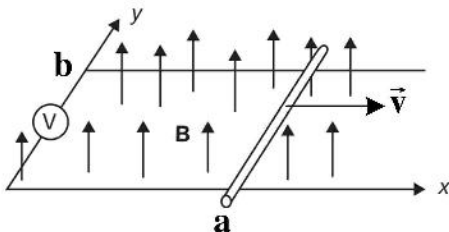
(۳)  $3\pi^2 \frac{mv_0}{qB^2}$

(۴)  $6\pi^2 \frac{mv_0}{qB}$

۴۴- مقادیر نشان‌داده شده در شکل مقابل در لحظه  $t$  عبارتند از  $a = 5\text{cm}$ ,  $b = 5\text{cm}$ ,  $\vec{v} = (1/5\text{m/s})\hat{x}$  و

$\vec{B}(t) = 0.3 \sin(10^4 t) \hat{z}$  که برحسب ثانیه و  $B$  برحسب تسلا است. نیروی محرکه القایی که ولت‌متر در این لحظه

نشان می‌دهد برحسب ولت کدام است؟



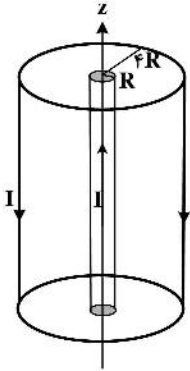
(۱)  $-150 \sin(10^4 t) - 0.45 \cos(10^4 t)$

(۲)  $-150 \cos(10^4 t) - 0.45 \sin(10^4 t)$

(۳)  $-7.50 \sin(10^4 t) - 0.225 \cos(10^4 t)$

(۴)  $-7.50 \cos(10^4 t) - 0.225 \sin(10^4 t)$

۴۵- یک کابل هم‌محور بسیار طویل مستقیم به شعاع داخلی  $R$  و شعاع خارجی  $4R$  در شکل زیر نشان داده شده است. رسانای داخلی یک استوانه توپر و رسانای خارجی یک پوسته استوانه‌ای است. ضریب خود القای واحد طول استوانه،  $L$ ، بر حسب واحدهای دستگاه SI کدام است؟ ( $\ln 2 = 0.69$ )



$$\frac{6.55}{8\pi} \mu_0 \quad (1)$$

$$\frac{11.1}{8\pi} \mu_0 \quad (2)$$

$$\frac{3.27}{8\pi} \mu_0 \quad (3)$$

$$\frac{2.77}{8\pi} \mu_0 \quad (4)$$

۴۶- میدان الکتریکی یک موج الکترومغناطیسی که در محیطی با  $\epsilon = 16\epsilon_0$  و  $\mu = \mu_0$  منتشر می‌شود  $\vec{E} = 10 \sin(10^{10} t - kz) \hat{x}$  است که در آن  $t$  بر حسب ثانیه،  $z$  بر حسب متر و  $E$  بر حسب  $V/m$  است.  $\vec{H}$  بر حسب  $A/m$  کدام است؟

$$\vec{H}(z, t) = 0.11 \sin(10^{10} t - 133z) \hat{y} \quad (1)$$

$$\vec{H}(z, t) = 0.42 \sin(10^{10} t - 133z) \hat{y} \quad (2)$$

$$\vec{H}(z, t) = 0.11 \sin(10^{10} t - 532z) \hat{y} \quad (3)$$

$$\vec{H}(z, t) = 0.42 \sin(10^{10} t - 532z) \hat{y} \quad (4)$$

۴۷- بردار میدان مغناطیسی یک موج الکترومغناطیسی

$$\vec{B} = B_0 \sin \omega(\sqrt{\epsilon\mu}z - t) \hat{x} - B_0 \cos \omega(\sqrt{\epsilon\mu}z - t) \hat{y}$$

است. اگر  $\epsilon$  و  $\mu$  به ترتیب گذردهی الکتریکی و تراوایی مغناطیسی محیطی باشد که موج در آن منتشر می‌شود، متوسط زمانی اندازه بردار پوئین تینگ وابسته به این موج کدام است؟

$$\frac{B_0^2}{2\sqrt{\epsilon^3\mu}} \quad (1)$$

$$\frac{B_0^2}{2\sqrt{\epsilon\mu^3}} \quad (2)$$

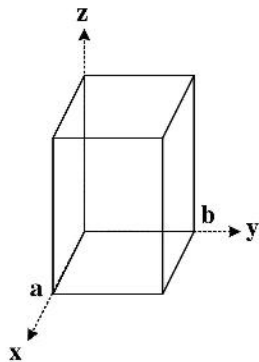
$$\frac{B_0^2}{\sqrt{\epsilon^2\mu}} \quad (3)$$

$$\frac{B_0^2}{\sqrt{\epsilon\mu^2}} \quad (4)$$

۴۸- یک موج بر استوانه‌ای به ابعاد  $a = 1\text{cm}$  و  $b = 2\text{cm}$  در نظر بگیرید. محیط داخل این موج بر خلاء است. اگر

مؤلفه‌های میدان الکتریکی و میدان مغناطیسی داخل موج بر  $E_z = 0$  و  $B_z = B_0 \cos \frac{m\pi x}{a} \cos \frac{n\pi y}{b}$  باشند.

کمترین بسامد قطع چند GHz است؟ (  $m$  و  $n$  اعداد صحیح نامنفی اند.)



(۱) ۱۶/۸

(۲) ۱۵

(۳) ۷/۵

(۴) ۳/۴

۴۹- برای یک آنتن دوقطبی در خلاء و در فواصل دور از آنتن، بردار میدان الکتریکی و بردار شدت میدان مغناطیسی

در مختصات کروی به صورت  $\vec{E} \approx -\sqrt{\frac{\mu_0}{\epsilon_0}} \frac{Idl}{4\pi} \beta^2 \frac{e^{i\omega t - i\beta r}}{i\beta r} \sin \theta \hat{\theta}$  و  $\vec{H} \approx -\frac{Idl}{4\pi} \beta^2 \frac{e^{i\omega t - i\beta r}}{i\beta r} \sin \theta \hat{\phi}$  است

که  $\beta = \frac{\omega}{c}$ . توان تابشی آنتن کدام است؟

(۱)  $\frac{2\pi}{3} \sqrt{\frac{\mu_0}{\epsilon_0}} \left(\frac{Idl}{\lambda}\right)^2$

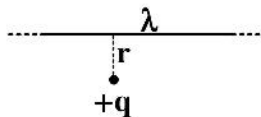
(۲)  $\frac{\pi}{12} \sqrt{\frac{\mu_0}{\epsilon_0}} \left(\frac{Idl}{\lambda}\right)^2$

(۳)  $\frac{\pi}{3} \sqrt{\frac{\mu_0}{\epsilon_0}} \left(\frac{Idl}{\lambda}\right)^2$

(۴)  $\frac{\pi}{6} \sqrt{\frac{\mu_0}{\epsilon_0}} \left(\frac{Idl}{\lambda}\right)^2$

۵۰- بار نقطه‌ای  $q$  به فاصله  $r$  از یک خط بار نامتناهی با چگالی بار  $\lambda$  قرار دارد. از دید ناظری که با سرعت  $v$  به موازات

خط بار حرکت می‌کند نیروی وارد بر بار نقطه‌ای از سوی خط بار کدام است؟  $(1/\gamma = \sqrt{1 - \frac{v^2}{c^2}})$



(۱)  $\frac{q\lambda}{2\pi\epsilon_0 r}$

(۲)  $\frac{1}{\gamma} \frac{q\lambda}{2\pi\epsilon_0 r}$

(۳)  $\gamma \frac{q\lambda}{2\pi\epsilon_0 r}$

(۴)  $\gamma \frac{v^2}{c^2} \frac{q\lambda}{2\pi\epsilon_0 r}$

فیزیک مدرن:

۵۱- در نسبیت خاص اگر چارچوب مرجع  $S'$  با سرعت  $\vec{v} = c \tanh \theta \hat{x}$  نسبت به چارچوب مرجع  $S$  حرکت کند و تبدیل لورنتس بین دو چارچوب مرجع را به صورت  $x' = L_{11}x + L_{12}ct$  ,  $ct' = L_{21}x + L_{22}ct$  بنویسیم کدام رابطه نادرست است؟

(۱)  $L_{12} = -\sinh \theta$

(۲)  $L_{21} = \sinh \theta$

(۳)  $L_{11} = \cosh \theta$

(۴)  $L_{22} = \cosh \theta$

۵۲- اختلاف انرژی کل یک الکترون و یک فوتون که هر یک دارای تکانه خطی  $\frac{2 \text{ MeV}}{c}$  هستند چند MeV است؟ (انرژی سکون الکترون  $0.51 \text{ MeV}$  است.)

(۱)  $0.06$

(۲)  $0.12$

(۳)  $0.25$

(۴)  $0.5$

۵۳- دو فضاپیما بر روی محور  $x$  با سرعت‌های  $\vec{v}_1 = -0.8c \hat{x}$  و  $\vec{v}_2 = 0.6c \hat{x}$  حرکت می‌کنند. سرعت فضاپیمای ۱ از دید فضاپیمای ۲ چیست؟

(۱)  $0.67c$

(۲)  $0.38c$

(۳)  $-0.14c$

(۴)  $-0.95c$

۵۴- راننده‌ای با چنان سرعتی به چراغ قرمز نزدیک می‌شود که آن را سبز می‌بیند و به‌جای توقف عبور می‌کند. سرعت راننده چقدر است؟ (بسامد نور قرمز  $4.8 \times 10^{14} \text{ Hz}$  و بسامد نور سبز  $5.6 \times 10^{14} \text{ Hz}$  است.)

(۱)  $0.02c$

(۲)  $0.08c$

(۳)  $0.15c$

(۴)  $0.39c$

۵۵- جسم ساکنی منفجر و به دو قطعه یکسان تبدیل می‌شود. اگر جرم هر قطعه  $1 \text{ kg}$  و سرعتش نسبت به جسم اولیه  $0.6c$  باشد، جرم جسم قبل از انفجار چند  $\text{kg}$  بوده است؟

(۱)  $2/8$

(۲)  $2/5$

(۳)  $3/0$

(۴)  $2/0$

۵۶- دمای سطح یک ستاره  $3000\text{K}$  و توان کل تابش گرمایی آن صد برابر توان کل تابشی خورشید است. دمای سطح خورشید  $6000\text{K}$  است. اگر تابش گرمایی ستاره و خورشید را مانند جسم سیاه در نظر بگیریم شعاع ستاره چند برابر شعاع خورشید است؟

(۱) ۱۶۰

(۲) ۴۰۰

(۳) ۴۰

(۴) ۲۰

۵۷- میانگین انرژی یک نوسانگر هماهنگ ساده کلاسیک در دمای  $T$  برابر  $kT$  است. برای یک نوسانگر هماهنگ ساده کوانتومی طبق مدل تابش گرمایی پلانک، میانگین انرژی در دمای  $T$  علاوه بر دما به بسامد نوسانگر هم بستگی دارد. به ازای  $h\nu = kT$  که  $\nu$  بسامد نوسانگر ساده است میانگین انرژی نوسانگر کوانتومی در دمای  $T$  چقدر است؟

(۱)  $0.6kT$

(۲)  $0.2kT$

(۳)  $0.4kT$

(۴)  $0.5kT$

۵۸- طول موج آستانه در اثر فوتوالکتریک با فلز پتاسیم  $558\text{nm}$  است. اگر نور با طول موج  $400\text{nm}$  به این فلز تابانیده شود اختلاف پتانسیل الکتریکی لازم برای متوقف کردن الکترون‌های کنده شده از فلز چند ولت است؟

(۱) ۰.۵۳

(۲) ۵.۳

(۳) ۸.۸

(۴) ۰.۸۸

۵۹- چشم انسان به نور با طول موج  $555\text{nm}$  بیشترین حساسیت را دارد و تقریباً اگر حداقل  $10$  فوتون با چنین طول موجی در یک ثانیه وارد چشم شوند انسان قادر به دیدن است. یک لامپ  $100$  وات که مانند یک چشمه نقطه‌ای عمل می‌کند یعنی به طور یکنواخت به کل فضای اطرافش تابش می‌کند، نور با طول موج  $555\text{nm}$  گسیل می‌کند. حداکثر فاصله‌ای که چشم ما قادر به تشخیص روشنایی این لامپ است چند  $\text{km}$  است؟ (قطر مردمک چشم ما در تاریکی حداکثر  $7\text{mm}$  باز می‌شود. فرض کنید فاصله بین لامپ و چشم خلاء باشد که از پراکندگی نور توسط ذرات هوا بتوان صرف نظر کرد.)

(۱) ۹۰۰۰

(۲) ۹۰

(۳) ۳۶۰۰۰

(۴) ۳۶۰

۶۰- در یک پراکندگی کامپتون مشاهده می‌شود که در زاویه پراکندگی  $120^\circ$ ، جابه‌جایی نسبی طول موج تابش الکترومغناطیسی اولیه  $1/5$  درصد است. طول موج تابش الکترومغناطیسی اولیه چند نانومتر است؟

(۱) ۰.۸۱

(۲) ۰.۲۴۳

(۳)  $2.43 \times 10^{-5}$

(۴)  $8.1 \times 10^{-5}$

۶۱- اگر  $\lambda_B$  و  $\lambda_P$  به ترتیب بلندترین طول موج تابش اتم هیدروژن در سری بالمر و سری پاشن باشند، نسبت  $\lambda_P / \lambda_B$  کدام است؟

(۱)  $\frac{7}{108}$

(۲)  $\frac{4}{3}$

(۳)  $\frac{27}{5}$

(۴)  $\frac{20}{7}$

۶۲- پارامتر برخورد در پراکندگی راترفورد ذرات  $\alpha$  با انرژی جنبشی  $5.0 \text{ MeV}$  با زاویه پراکندگی  $90^\circ$  از یک ورقه طلا به ضخامت  $1.0 \times 10^{-3} \text{ mm}$  برابر  $2/3 \times 10^{-5} \text{ nm}$  است. چه کسری از ذرات  $\alpha$  فرودی تحت زاویه بزرگتر از

$90^\circ$  پراکنده می شوند؟ (چگالی طلا  $(Z = 79)$   $19.3 \frac{\text{g}}{\text{cm}^3}$  و جرم مولی آن  $197 \frac{\text{g}}{\text{mol}}$  است.)

(۱)  $\frac{1}{100}$

(۲)  $\frac{1}{10000}$

(۳)  $\frac{1}{1000}$

(۴)  $\frac{1}{10}$

۶۳- طول موج دوبروی یک الکترون که در اختلاف پتانسیل  $V_0$  (برحسب ولت) از حالت سکون شتاب گرفته برحسب نانومتر کدام است؟ (انرژی سکون الکترون  $0.51 \text{ MeV} = mc^2$  است.  $V_0$  آن قدر زیاد نیست که حرکت الکترون نسبیتی باشد.)

(۱)  $\frac{0.971}{\sqrt{V_0}}$

(۲)  $\frac{1.23}{\sqrt{V_0}}$

(۳)  $\frac{1.230}{\sqrt{V_0}}$

(۴)  $\frac{971}{\sqrt{V_0}}$

۶۴- برای دستگاهی عدد کوانتومی تکانه زاویه ای مدار  $\ell = 2$  است. کوچکترین زاویه ممکن بین  $L_z$  و  $\vec{L}$  کدام است؟

(۱)  $\text{Arc cos}(\sqrt{6}/6)$

(۲)  $\text{Arc cos}(\sqrt{6}/3)$

(۳)  $\text{Arc cos}(\sqrt{6}/5)$

(۴)  $\text{Arc cos}(2\sqrt{6}/5)$

۶۵- یک اتم شامل دو الکترون در اوربیتال ۱s است. بیشینه مقدار ممکن عدد کوانتومی تکانه زاویه‌ای کل،  $l$ ، کدام است؟

(۱) ۱

(۲)  $\sqrt{2}/2$

(۳)  $\sqrt{2}$

(۴) صفر

۶۶- تأثیر متقابل اندازه حرکت‌های زاویه‌ای مداری و اسپینی باعث ایجاد یک شکافتگی ریز در ترازهای اتم هیدروژن می‌شود. در واقع حرکت مداری الکترون و هسته حول یکدیگر یک میدان مغناطیسی داخلی تولید می‌کند که

اسپین الکترون با آن برهم‌کنش می‌کند. اگر فاصله دو زیرتراز  $2P_{1/2}$  و  $2P_{3/2}$  برابر  $\Delta E = 4/5 \times 10^{-5} \text{ eV}$  و  $\mu_B = 5/8 \times 10^{-5} \text{ eV/T}$  باشد میدان مغناطیسی داخلی چند تسلا است؟

(۱) ۱/۶

(۲) ۰/۸

(۳) ۰/۲

(۴) ۰/۴

۶۷- لیزری که با طول موج یک میکرومتر کار می‌کند، تابشی با توان ۱mW دارد. توان گسیل خودبه‌خودی لیزری که با

طول موج  $1000 \text{ \AA}$  کار می‌کند چند وات است؟

(۱) ۰/۱

(۲) ۱

(۳) ۱۰

(۴) ۱۰۰

۶۸- برای اتم هلیوم فرض کنید تابع موج حالت پایه  $\Psi = \psi_{100}(r_1, \theta_1, \phi_1) \psi_{100}(r_2, \theta_2, \phi_2)$  است که  $\psi_{100}$  تابع موج حالت پایه یک اتم هیدروژن گونه با  $Z = 2$  است. اگر مقدار متوسط جمله دافعه دو الکترون در این وضعیت،

$\langle \Psi | \frac{e^2}{4\pi\epsilon_0 |\vec{r}_2 - \vec{r}_1|} | \Psi \rangle$  برابر  $34 \text{ eV}$  باشد انرژی حالت پایه اتم هلیوم چند eV است؟

(۱)  $-20/4$

(۲)  $-74/8$

(۳)  $-47/6$

(۴)  $-44/8$

۶۹- برای واکنش هسته‌ای  $p + {}^7\text{Li} \rightarrow {}^4\text{He} + {}^4\text{He}$  مقدار Q واکنش چند MeV است؟  $(1 \text{ u} = 931/5 \frac{\text{MeV}}{c^2})$  و نیز

$(m_{\text{He}} = 4/002602 \text{ u}$  و  $m_{\text{Li}} = 7/016003 \text{ u}$ ،  $m_p = 1/007825 \text{ u}$ )

(۱) ۱۳/۶۵

(۲) ۱۷/۳۵

(۳) ۹/۷۹

(۴) ۵/۱۵



۷۰- اگر الکترون‌های رسانش مس مانند یک گاز فرمیونی آزاد رفتار کنند انرژی فرمی مس چند eV است؟ (اگر n تعداد

الکترون‌های آزاد مس در واحد حجم باشد، داریم  $\left(\frac{3n}{8\pi}\right)^{\frac{2}{3}} = 4.7 \times 10^{18} \text{ m}^{-3}$  و همچنین  $(mc^2 = 0.51 \text{ MeV})$ .

(۱) ۷/۱

(۲) ۳/۵

(۳) ۱۱

(۴) ۸/۹

مکانیک کوانتومی:

۷۱- ذره‌ای به جرم m در یک چاه بی‌نهایت یک بعدی که دیواره‌های آن در  $x=0$  و  $x=L$  قرار دارند، حرکت می‌کند.

مقدار متوسط عملگر  $x^2$  در ویژه حالت nام چاه کدام است؟

(۱)  $\frac{L^2}{3} \left(1 + \frac{3}{2n^2\pi^2}\right)$

(۲)  $\frac{2L^2}{3} \left(1 + \frac{3}{2n^2\pi^2}\right)$

(۳)  $\frac{L^2}{3} \left(1 - \frac{3}{2n^2\pi^2}\right)$

(۴)  $\frac{2L^2}{3} \left(1 - \frac{3}{2n^2\pi^2}\right)$

۷۲- ذره‌ای به جرم m درون یک چاه بی‌نهایت یک بعدی که دیواره‌های آن در  $x=0$  و  $x=L$  قرار دارند، حرکت

می‌کند. اگر تابع موج ذره  $\varphi(x) = \frac{1}{\sqrt{5}}\psi_1(x) + \frac{2i}{\sqrt{5}}\psi_3(x)$  باشد که  $\psi_n(x)$  ها ویژه توابع بهنجار چاه هستند،

مقدار متوسط انرژی در این حالت چند برابر  $\frac{\hbar^2\pi^2}{mL^2}$  است؟

(۱)  $\frac{17}{2\sqrt{5}}$

(۲)  $\frac{5}{2}$

(۳)  $\frac{17}{10}$

(۴) ۳

۷۳- الکترونی در جعبه‌ای یک بعدی به عرض  $2\text{nm}$  محبوس است. متوسط انرژی جنبشی الکترون در حالت پایه چقدر است؟ (جرم الکترون  $m_e = 9.1 \times 10^{-31}\text{kg}$  است.)

- (۱)  $0.95\text{eV}$
- (۲)  $95\text{meV}$
- (۳)  $195\mu\text{eV}$
- (۴)  $19.5\text{neV}$

۷۴- تابع موج یک ذره در لحظه  $t = 0$  به شکل  $\psi(x, 0) = A e^{-x^2/a^2}$  است. احتمال آن که در این لحظه ممنوم خطی ذره بین  $p$  و  $p + dp$  باشد چیست؟

- (۱)  $\sqrt{\frac{a}{2\pi\hbar}} e^{-a^2 p^2 / (4\hbar^2)} dp$
- (۲)  $\frac{2a}{\pi\hbar} e^{-2a^2 p^2 / \hbar^2} dp$
- (۳)  $\frac{a}{\sqrt{2\pi\hbar}} e^{-a^2 p^2 / \hbar^2} dp$
- (۴)  $\frac{a}{\sqrt{2\pi\hbar}} e^{-a^2 p^2 / (2\hbar^2)} dp$

۷۵- بردار حالت یک نوسانگر هماهنگ یک بعدی به جرم  $m$  و بسامد زاویه‌ای  $\omega$  در لحظه  $t = 0$  به شکل  $|\psi\rangle = (|1\rangle + 2i|2\rangle) / \sqrt{5}$  است، که در آن  $|n\rangle$  ویژه بردار بهنجار هامیلتونین  $H = (\mathbf{n} + 1/2)\hbar\omega$  است. مقدار چشم‌داشتی عملگر مکان  $x$  در حالت  $|\psi\rangle$  کدام است؟

( $a = \sqrt{\frac{m\omega}{2\hbar}} \left( x - \frac{ip}{m\omega} \right)$ )

(۱) صفر

- (۲)  $\frac{2}{5} \sqrt{\frac{\hbar}{m\omega}}$
- (۳)  $\frac{1}{5} \sqrt{\frac{\hbar}{2m\omega}}$
- (۴)  $\frac{1}{5} \sqrt{\frac{2\hbar}{m\omega}}$

۷۶- تابع موج نوسانگر هماهنگ یک بعدی به جرم  $m$  و بسامد زاویه‌ای  $m$  در لحظه  $t = 0$  به شکل

$$\Psi(x, 0) = \frac{2}{\sqrt{6}} \phi_0(x) - \frac{1}{\sqrt{6}} \phi_1(x) + \frac{1}{\sqrt{6}} \phi_3(x)$$

تابع موج این ذره در لحظه  $t > 0$  کدام است؟

$$\frac{2}{\sqrt{6}} \phi_0(x) e^{-i\omega t/2} - \frac{1}{\sqrt{6}} \phi_1(x) e^{-3i\omega t/2} + \frac{1}{\sqrt{6}} \phi_3(x) e^{-7i\omega t/2} \quad (1)$$

$$\frac{2}{\sqrt{6}} \phi_0(x) e^{-i\omega t} - \frac{1}{\sqrt{6}} \phi_1(x) e^{-2i\omega t} + \frac{1}{\sqrt{6}} \phi_3(x) e^{-4i\omega t} \quad (2)$$

$$\left( \frac{2}{\sqrt{6}} \phi_0(x) - \frac{1}{\sqrt{6}} \phi_1(x) + \frac{1}{\sqrt{6}} \phi_3(x) \right) e^{-11i\omega t/2} \quad (3)$$

$$\left( \frac{2}{\sqrt{6}} \phi_0(x) - \frac{1}{\sqrt{6}} \phi_1(x) + \frac{1}{\sqrt{6}} \phi_3(x) \right) e^{-4i\omega t} \quad (4)$$

۷۷- کدام عبارت نادرست است؟

(۱) اگر تابع موج سیستم کوانتومی تابعی حقیقی باشد، چگالی جریان احتمال (شاراحتمال) آن صفر است.

(۲) رابطه  $\Delta E \Delta t \geq \hbar/2$  درست مانند رابطه  $\Delta x \Delta p \geq \hbar/2$  بیانگر آن است که انرژی و زمان را نمی‌توان همزمان با قطعیت اندازه‌گیری کرد.

(۳) انرژی هر حل بهنجاری پذیر معادله شرودینگر مستقل از زمان، از کمینه انرژی پتانسیل بزرگ‌تر است.

(۴) یک دسته مشاهده‌پذیرهای ناسازگار، یک مجموعه کامل از ویژه‌بردارهای مشترک ندارند.

۷۸- اگر  $p^2$  مجموع مربعات مؤلفه‌های عملگر ممتنوم خطی و  $L^2$  مجموع مربعات مؤلفه‌های عملگر ممتنوم زاویه‌ای

مداری حاصل جابجاگر  $[L^2, p^2]$  کدام است؟

$$2(\vec{p} \times \vec{L}) \cdot \vec{p} \quad (1)$$

$$(\vec{p} \times \vec{L})^2 \quad (2)$$

$$(\vec{p} \cdot \vec{L})^2 \quad (3)$$

(۴) صفر

۷۹- تابع موج ذره‌ای در مختصات کروی به شکل  $\psi(r, \theta) = A r^2 e^{-\alpha r} \cos \theta$  است، احتمال آن که ذره در ناحیه

میان  $r_1 = 1/\alpha$  تا  $r_2 = 2/\alpha$  یافت شود چیست؟ ( $\alpha$  ضریب ثابت مثبت و  $A$  ضریب بهنجارش است.)

$$\frac{1}{\alpha^5} (e^{-1} - e^{-2}) \quad (1)$$

$$\frac{1}{\alpha^5} (e^{-2} - e^{-4}) \quad (2)$$

$$e^{-1} - e^{-2} \quad (3)$$

$$e^{-2} - e^{-4} \quad (4)$$

۸۰- ذره‌ای به جرم  $m$  درون یک چاه کروی  $V(r) = \begin{cases} 0 & a \leq r \leq b \\ \infty & r < a, r > b \end{cases}$  حرکت می‌کند. ویژه مقادیر انرژی

این ذره برای حالتی که ممنوع زاویه مداری آن  $l = 0$  است، چیست؟

$$E_{n0} = \frac{n^2 \pi^2 \hbar^2}{2m} \left( \frac{1}{b^2} - \frac{1}{a^2} \right) \quad (1)$$

$$E_{n0} = \frac{n^2 \pi^2 \hbar^2}{2m} \left( \frac{1}{b^2} + \frac{1}{a^2} \right) \quad (2)$$

$$E_{n0} = \frac{n^2 \pi^2 \hbar^2}{2m(b-a)^2} \quad (3)$$

$$E_{n0} = \frac{n^2 \pi^2 \hbar^2}{2m(b+a)^2} \quad (4)$$

۸۱- تابع موج ذره‌ای در مختصات کروی به شکل  $\psi(r, \theta) = A e^{-\alpha r} \cos \theta \sin^2 \varphi$  است که  $A$  و  $\alpha$  ضریب‌های ثابتی هستند. حاصل اثر عملگر  $L_z$  بر این حالت چیست؟

$$-2i\hbar A e^{-\alpha r} \cos \theta \sin^2 \varphi \cos \varphi \quad (1)$$

$$i\hbar A e^{-\alpha r} \sin \theta \sin^2 \varphi \quad (2)$$

$$\hbar A e^{-\alpha r} e^{i\varphi} (\sin \theta \sin^2 \varphi + 2i \cos^2 \theta \sin^2 \varphi \cos \varphi) \quad (3)$$

$$\hbar A e^{-\alpha r} e^{-i\varphi} (\sin \theta \sin^2 \varphi - 2i \cos^2 \theta \sin^2 \varphi \cos \varphi) \quad (4)$$

۸۲- ذره‌ای به جرم  $m$  در راستای  $x$  با هامیلتونی  $H = -\frac{\hbar^2}{2m} \frac{d^2}{dx^2} - \lambda \delta(x)$  در حرکت است که  $\lambda$  ضریب ثابت

مثبتی است. با انتخاب تابع آزمون  $\psi(x) = A e^{-\alpha x}$  حداقل مقداری که برای انرژی حالت پایه ذره به دست می‌آید، کدام است؟

$$-\frac{2m\lambda^2}{\pi \hbar^2} \quad (1)$$

$$-\frac{m\lambda^2}{\pi \hbar^2} \quad (2)$$

$$-\frac{2m\lambda^2}{\pi \hbar^2} \quad (3)$$

$$-\frac{m\lambda^2}{2\pi \hbar^2} \quad (4)$$

۸۳- ذره آزادی به جرم  $m$  در یک بعد را در نظر بگیرید. اگر  $\hat{x}_H(t)$ ،  $\hat{p}_H(t)$  و  $\hat{H}$  به ترتیب عملگرهای مکان، ممنتوم خطی و هامیلتونی این ذره در تصویر هایزنبرگ و  $t$  پارامتر زمان باشند، کدام رابطه نادرست است؟

$$[\hat{x}_H(t), \hat{p}_H(t)] = i\hbar \quad (۱)$$

$$[\hat{x}_H(t), \hat{H}] = i\frac{\hbar}{m}\hat{p}(t) \quad (۲)$$

$$\hat{p}_H(t) = \hat{p}_H(t=0) + \frac{1}{m}\hat{x}_H(t=0)t \quad (۳)$$

$$\hat{x}_H(t) = \hat{x}_H(t=0) + \frac{1}{m}\hat{p}_H(t=0)t \quad (۴)$$

۸۴- یک الکترون در حالت اسپین  $\chi = A \begin{pmatrix} 2+i \\ 1-3i \end{pmatrix}$  است که ضریب ثابتی است. مقدار چشم داشتی عملگر  $S_x$  در

این حالت چیست؟

$$-\frac{\hbar}{15} \quad (۱)$$

$$\frac{\hbar}{15} \quad (۲)$$

$$-\hbar|A|^2 \quad (۳)$$

$$\hbar|A|^2 \quad (۴)$$

۸۵- هامیلتونی یک ذره کوانتومی به جرم  $m$  و بار الکتریکی  $q$  در حضور یک میدان مغناطیسی با پتانسیل برداری  $\vec{A}$  و یک میدان الکتریکی با پتانسیل اسکالر  $\phi$  در سیستم واحد SI کدام است؟

$$H = -\frac{\hbar^2}{2m}\nabla^2 + \frac{iq\hbar}{2m}\vec{A}\cdot\vec{\nabla} + \frac{q^2}{2m}A^2 + q\phi \quad (۱)$$

$$H = -\frac{\hbar^2}{2m}\nabla^2 - \frac{iq\hbar}{2m}\vec{\nabla}\cdot\vec{A} + \frac{q^2}{m}A^2 + q\phi \quad (۲)$$

$$H = -\frac{\hbar^2}{2m}\nabla^2 + \frac{iq\hbar}{m}\vec{A}\cdot\vec{\nabla} + \frac{iq\hbar}{2m}(\vec{\nabla}\cdot\vec{A}) + \frac{q^2}{2m}A^2 + q\phi \quad (۳)$$

$$H = -\frac{\hbar^2}{2m}\nabla^2 + \frac{iq\hbar}{m}\vec{A}\cdot\vec{\nabla} - \frac{iq\hbar}{2m}(\vec{\nabla}\cdot\vec{A}) + \frac{q^2}{2m}A^2 + q\phi \quad (۴)$$

۸۶- سیستمی متشکل از دو الکترون بدون برهمکنش با یکدیگر تحت تأثیر پتانسیل خارجی یکسان قرار دارند و تابع موج الکترون اول  $\Psi_1(\vec{r}_1)\chi_1$  و تابع موج الکترون دوم  $\Psi_2(\vec{r}_2)\chi_2$  است. اگر اسپین کل مجموعه صفر باشد، تابع موج کل سیستم کدام است؟

$$(1) \Psi_1(\vec{r}_1)\Psi_2(\vec{r}_2)\chi_1\chi_2$$

$$(2) (\Psi_1(\vec{r}_1)\Psi_2(\vec{r}_2) - \Psi_1(\vec{r}_2)\Psi_2(\vec{r}_1))(\chi_1\chi_2 + \chi_2\chi_1)$$

$$(3) (\Psi_1(\vec{r}_1)\Psi_2(\vec{r}_2) - \Psi_1(\vec{r}_2)\Psi_2(\vec{r}_1))(\chi_1\chi_2 - \chi_2\chi_1)$$

$$(4) (\Psi_1(\vec{r}_1)\Psi_2(\vec{r}_2) + \Psi_1(\vec{r}_2)\Psi_2(\vec{r}_1))(\chi_1\chi_2 - \chi_2\chi_1)$$

۸۷- در پدیده زیمان عادی حالت  $2p$  در اتم هیدروژن به سبب وجود میدان مغناطیسی به چند تراز تجزیه می‌شود؟

$$(1) 6$$

$$(2) 5$$

$$(3) 4$$

$$(4) 3$$

۸۸- تابع حالت الکترونی در اتم هیدروژن به شکل  $\frac{1}{3} [2\Psi_{2,1,0}(\vec{r}) - \sqrt{3}i\Psi_{2,2,-2}(\vec{r}) - \sqrt{2}\Psi_{2,2,-1}(\vec{r})]$  است،

که  $\Psi_{nlm}$  ها ویژه توابع بهنجار انرژی اتم هیدروژن هستند. مقدار چشم‌داشتی عملگر  $L^2 = \vec{L} \cdot \vec{L}$  در این حالت چقدر است؟

$$(1) \frac{8\hbar^2}{9}$$

$$(2) \frac{16\hbar^2}{9}$$

$$(3) \frac{34\hbar^2}{9}$$

$$(4) \frac{50\hbar^2}{9}$$

۸۹- سیستم کوانتومی فقط با دو حالت مستقل خطی در نظر بگیرید. هامیلتونی این سیستم به شکل

$$H = V_0 \begin{pmatrix} 1-\epsilon & 2\epsilon \\ 2\epsilon & 3+\epsilon \end{pmatrix}$$

کدامند؟

$$(1) V_0(3+2\epsilon+\epsilon^2), V_0(1-2\epsilon-\epsilon^2)$$

$$(2) V_0(3+2\epsilon-\epsilon^2), V_0(1-2\epsilon+\epsilon^2)$$

$$(3) V_0(3+\epsilon+\frac{\epsilon^2}{2}), V_0(1-\epsilon-\frac{\epsilon^2}{2})$$

$$(4) V_0(3+\epsilon-\frac{\epsilon^2}{2}), V_0(1-\epsilon+\frac{\epsilon^2}{2})$$

۹۰- یک اتم شبه هیدروژنی با عدد اتمی بزرگ  $Z$  در حالت پایه است. اگر بار هسته از  $Z$  به  $Z+1$  تغییر کند، بر اساس نظریه اختلال مرتبه اول، انرژی حالت پایه چه تغییری می‌کند؟ (تابع موج حالت پایه اتم شبه هیدروژنی

$$\psi(r) = \frac{1}{\sqrt{\pi}} \gamma^{3/2} e^{-\gamma r} \quad \text{است که } \gamma = \frac{me^2}{4\pi\epsilon_0 \hbar^2} Z$$

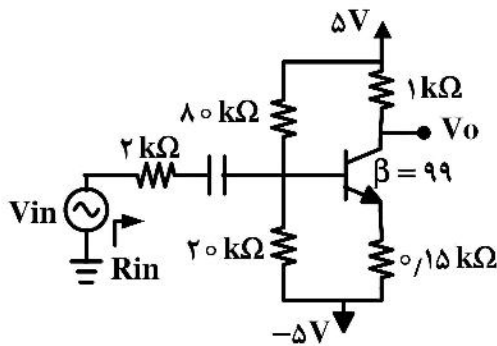
$$-\frac{e^2}{4\pi\epsilon_0} \gamma \quad (1)$$

$$-\frac{e^2}{2\pi\epsilon_0} \gamma \quad (2)$$

$$\frac{e^2}{4\pi\epsilon_0} \gamma \quad (3)$$

$$\frac{e^2}{2\pi\epsilon_0} \gamma \quad (4)$$

الکترونیک:



۹۱- مقاومت ورودی برابر با چند کیلو اهم است؟ ( $r_{\pi} = 1 \text{ k}\Omega$ )

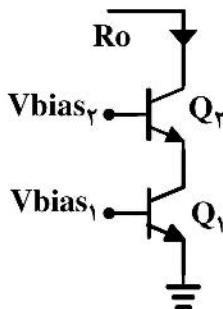
$$10 \quad (1)$$

$$3.5 \quad (2)$$

$$4.5 \quad (3)$$

$$11.5 \quad (4)$$

$$(g_{m1} = g_{m2} = 5 \frac{\text{mA}}{\text{V}})$$



۹۲- مقدار  $R_o$  برابر چند کیلو اهم است؟ ( $r_{o1} = r_{o2} = 10 \text{ k}\Omega$ )

$$500 \quad (1)$$

$$50 \quad (2)$$

$$250 \quad (3)$$

$$300 \quad (4)$$

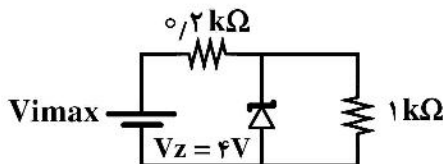
۹۳- بیشینه ولتاژ ورودی برابر چند ولت است؟ ( $P_z = 40 \text{ mW}$ )

$$5.9 \quad (1)$$

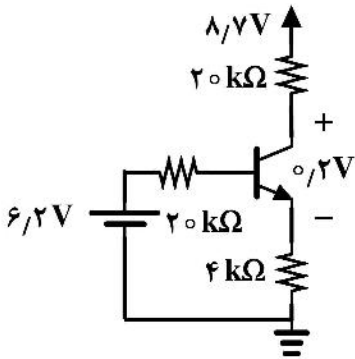
$$6.8 \quad (2)$$

$$7.6 \quad (3)$$

$$8.3 \quad (4)$$

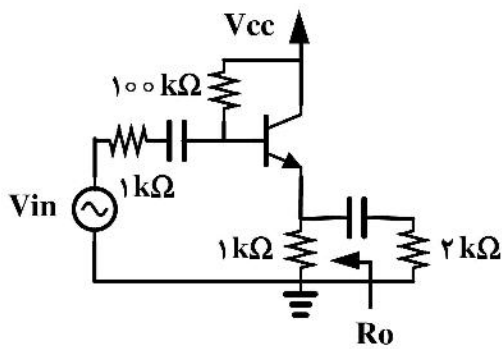


۹۴- به شرط اشباع ترانزیستور نسبت  $I_C$  به  $I_B$  کدام است؟ ( $V_{BE} = 0.7V$ )



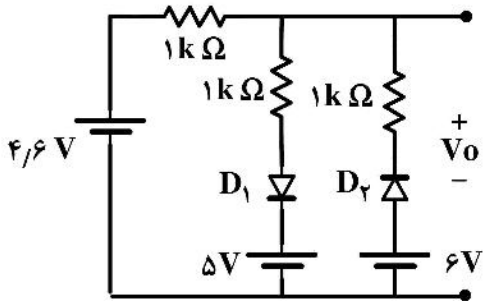
- (۱) ۳/۹
- (۲) ۵/۴
- (۳) ۲/۳
- (۴) ۱/۸

۹۵- مقاومت خروجی  $R_o$  تقریباً برابر چند کیلو اهم است؟ ( $r_{\pi} = 10k\Omega$   $\beta = 99$   $r_o = 100k\Omega$ )



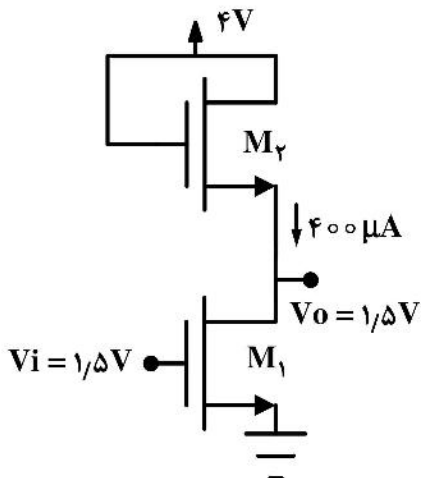
- (۱) ۱/۱
- (۲) ۰/۲
- (۳) ۰/۱
- (۴) ۲/۱

۹۶- ولتاژ خروجی  $V_o$  برابر با چند ولت است؟ (از افت ولتاژ دیود صرف نظر شود.)



- (۱) ۶/۲
- (۲) ۵/۲
- (۳) ۳/۸
- (۴) ۵/۹

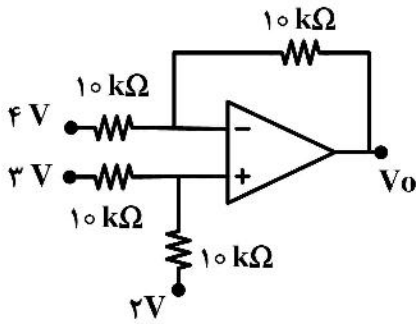
۹۷- نسبت  $\left(\frac{W_2}{W_1}\right)$  برابر با کدام است؟ ( $V_{TH} = 0.5V$   $L = 1\mu m$   $\mu nC_{ox} = 100 \frac{\mu A}{V^2}$ )



- (۱) ۰/۵
- (۲) ۰/۲۵
- (۳) ۰/۳۵
- (۴) ۱/۵

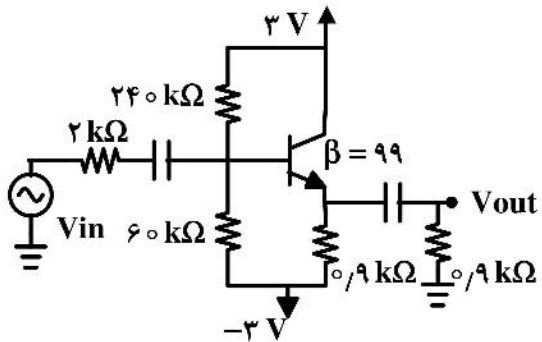


۹۸- ولتاژ خروجی مدار  $V_o$  برابر چند ولت است؟



- ۱ (۱)
- ۲ (۲)
- ۳ (۳)
- ۴ (۴)

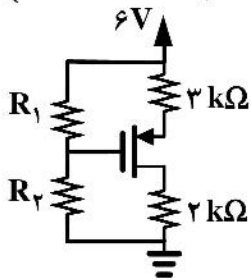
۹۹- بهره جریان مدار برابر با کدام است؟ ( $r_{\pi} = 3k\Omega$ )



- ۳۰ (۱)
- ۲۰ (۲)
- ۲۵ (۳)
- ۳۵ (۴)

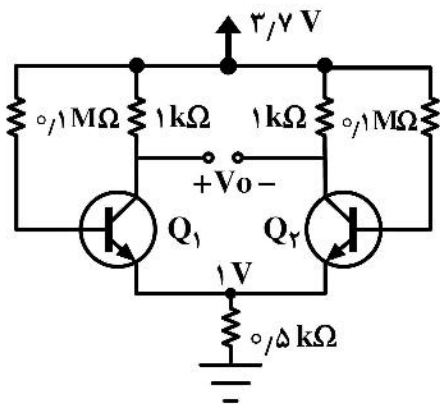
۱۰۰- نسبت  $\left(\frac{R_1}{R_2}\right)$  برابر با کدام است؟

$$\left( \mu p C_{ox} = 100 \frac{\mu A}{V^2} \quad V_{TH} = 0.5V \quad \frac{W}{L} = 4 \quad I_D = 500 \mu A \right)$$



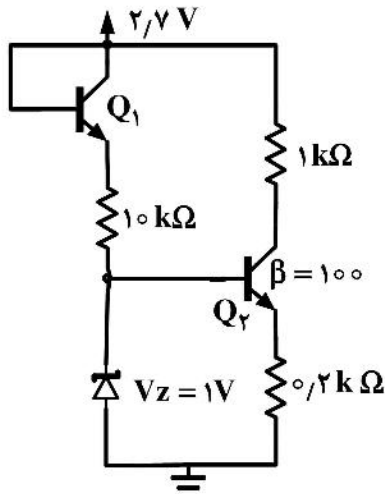
- ۲/۵ (۱)
- ۲ (۲)
- ۳ (۳)
- ۱/۵ (۴)

۱۰۱-  $\beta$  ترانزیستورهای مدار برابر با کدام است؟ ( $V_{BE} = 0.7V$ )



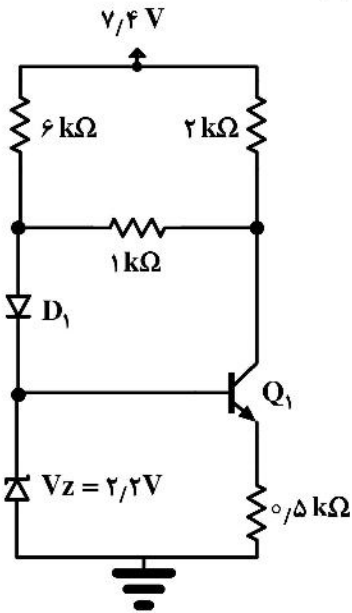
- ۲۵ (۱)
- ۱۰۰ (۲)
- ۵۰ (۳)
- ۱۵۰ (۴)

۱۰۲- جریان دیود زینر برابر چند میکرو آمپر است؟ ( $V_{BE} = 0.7V$ )



- (۱) ۹۵
- (۲) ۸۵
- (۳) ۶۵
- (۴) ۷۵

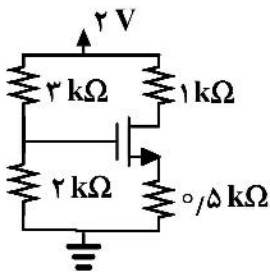
۱۰۳- جریان دیود  $D_1$  برابر چند میکرو آمپر است؟ ( $V_{BE} = 0.7V$  و  $V_{D1} = 0.7V$ )



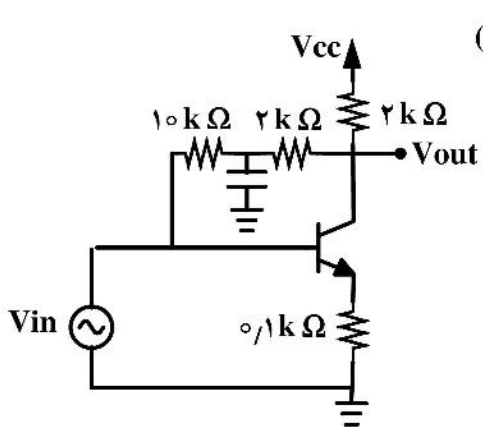
- (۱) ۱۵۰
- (۲) ۴۵۰
- (۳) ۳۵۰
- (۴) ۲۵۰

۱۰۴-  $W$  ترانزیستور معادل چند میکرومتر است؟

$$\left( \mu_n C_{ox} = 200 \frac{\mu A}{V^2}, V_{TH} = 0.6V, L = 0.2 \mu m, I_D = 200 \mu A \right)$$



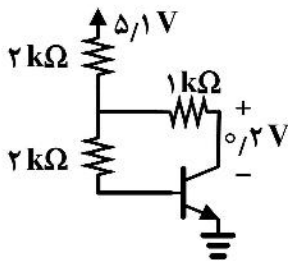
- (۱) ۱۴
- (۲) ۱۲
- (۳) ۱۰
- (۴) ۸



۱۰۵- بهره ولتاژ تقویت کننده برابر کدام است؟  $(\beta = 99, g_m = 10 \frac{mA}{V})$

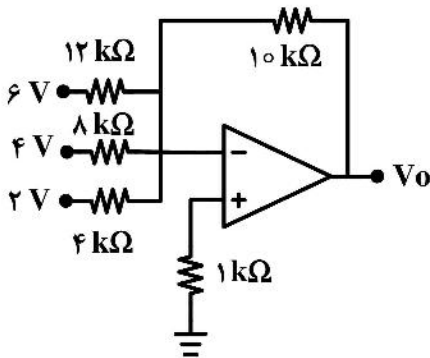
- (۱) -۶
- (۲) -۸
- (۳) -۴
- (۴) -۵

۱۰۶- جریان بیس ترانزیستور اشباع شده برابر چند میلی آمپر است؟  $(V_{BE} = 0.7V)$



- (۱) 0.15
- (۲) 0.2
- (۳) 0.1
- (۴) 0.25

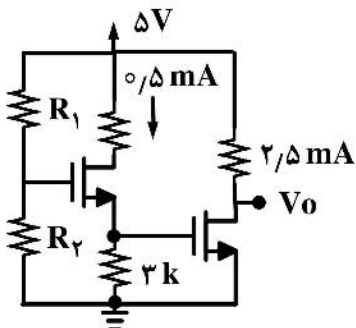
۱۰۷- ولتاژ خروجی مدار  $V_o$  چند ولت است؟



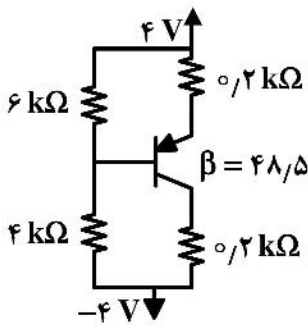
- (۱) -۱۵
- (۲) -۱۰
- (۳) -۱۴
- (۴) -۱۶

۱۰۸- نسبت  $\left(\frac{R_2}{R_1}\right)$  برابر با کدام است؟

$$\left( \mu n C_{ox} = 10000 \frac{\mu A}{V^2}, V_{TH} = 0.5V, \frac{W}{L} = 1 \right)$$



- (۱) ۲
- (۲) 1.5
- (۳) ۳
- (۴) 2.5

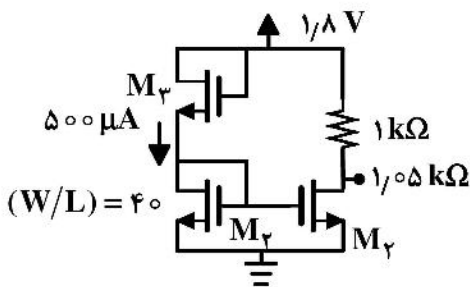


۱۰۹- جریان بیس ترانزیستور چند میلی آمپر است؟ ( $V_{BE} = 0.7V$ )

- (۱) ۳/۲
- (۲) ۲/۳
- (۳) ۱/۳
- (۴) ۱/۲

۱۱۰- مقدار  $\frac{W}{L}$  ترانزیستور  $M_1$  برابر با کدام است؟

$$\left( \mu_n C_{ox} = 100 \frac{\mu A}{V^2}, V_{TH} = 0.5V \right)$$



- (۱) ۵۰
- (۲) ۴۰
- (۳) ۷۰
- (۴) ۶۰

اپتیک:

۱۱۱- زاویه رأس منشوری  $60^\circ$  است. در مایعی با ضریب شکست  $\sqrt{2}$  کمینه زاویه انحراف این منشور  $45^\circ$  درجه است. ضریب شکست این منشور کدام است؟

- (۱)  $\frac{1+\sqrt{3}}{2}$
- (۲)  $1+\frac{\sqrt{3}}{3}$
- (۳)  $\sqrt{2}+\sqrt{3}$
- (۴)  $1+\sqrt{3}$

۱۱۲- پرتویی با زاویه تابش  $30^\circ$  به یک تیغه شیشه‌ای با سطوح تخت موازی هم و به ضخامت  $6cm$  و ضریب شکست  $1.5$  می‌تابد. پرتو خروجی از تیغه نسبت به راستای پرتو تابشی چند  $cm$  جابه‌جایی عرضی (جانبی) دارد؟

- (۱)  $4\left(1-\sqrt{\frac{3}{2}}\right)$
- (۲)  $4\left(1+\sqrt{\frac{3}{2}}\right)$
- (۳)  $3\left(1-\sqrt{\frac{3}{8}}\right)$
- (۴)  $3\left(1+\sqrt{\frac{3}{8}}\right)$

۱۱۳- یک انتهای میله استوانه‌ای شیشه‌ای با ضریب شکست  $1/5$  به صورت نیم کره‌ای به شعاع  $20\text{ cm}$  گرد شده است. اگر میله در مایعی شفاف با ضریب شکست  $1/4$  غوطه ور باشد و نور از چشمه نقطه‌ای داخل میله به سمت سطح کروی بتابد، توان این سطح کروی چند دیوپتری است؟

(۱)  $-1/0$

(۲)  $+1/0$

(۳)  $-0/5$

(۴)  $+0/5$

۱۱۴- جسمی در فاصله  $2\text{ m}$  از یک پرده سفید قرار دارد. عدسی نازک با چه فاصله کانونی (بر حسب  $\text{cm}$ ) در میان جسم و پرده قرار داده شود تا تصویری با بزرگ‌نمایی  $-9$  روی پرده تشکیل شود؟

(۱)  $+14$

(۲)  $+18$

(۳)  $+90$

(۴)  $+21/9$

۱۱۵- یک عدسی ضخیم با مشخصات  $r_1 = +10\text{ cm}$ ،  $r_2 = -10\text{ cm}$ ، ضریب شکست  $n' = 1/8$  و ضخامت  $d = 5\text{ cm}$  در نظر بگیرید. نور از هوا ( $n = 1/0$ ) بر عدسی می‌تابد و پس از خروج از عدسی وارد محیطی با ضریب شکست  $n'' = 1/4$  می‌شود. فاصله کانونی اولیه و ثانویه این عدسی بر حسب  $\text{cm}$  کدام است؟

(۱)  $f'' = 10/9$ ،  $f = 8/4$

(۲)  $f'' = 68/8$ ،  $f = 52/9$

(۳)  $f'' = 38/2$ ،  $f = 52/9$

(۴)  $f'' = 6/1$ ،  $f = 8/4$

۱۱۶- یک عدسی نازک دو طرف محدب (دو کوژ) که شعاع انحنای دو طرف آن  $80\text{ cm}$  و ضریب شکست آن  $1/6$  است در نظر بگیرید. اگر یکی از دو سطح این عدسی با پوشش نقره تبدیل به آینه (بازتابنده کامل) شود، فاصله کانونی این آینه در هوا تقریباً چند  $\text{cm}$  است؟

(۱)  $21/1$

(۲)  $18/2$

(۳)  $25/0$

(۴)  $40/0$

۱۱۷- با توجه به جمله زیر کدام عبارت درست است؟

«دسته پرتوهای تک رنگ موازی عریضی به یک آینه مقعر به شعاع  $R$  می‌تابد.»

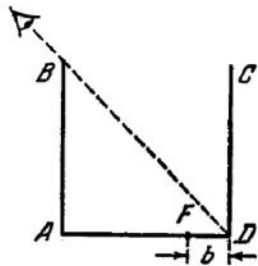
(۱) پرتوهای نزدیک محور در نقطه کانون با فاصله کانونی  $f = R/2$  جمع شده و پرتوهای دیگر هر چه دورتر از محور باشند در نقاطی به فاصله کمتر از  $R/2$  به رأس آینه، جمع می‌شوند.

(۲) پرتوهای نزدیک محور در نقطه کانون با فاصله کانونی  $f = R/2$  جمع شده و پرتوهای دیگر هر چه دورتر از محور باشند در نقاطی به فاصله بیشتر از  $R/2$  به رأس آینه، جمع می‌شوند.

(۳) پرتوهای نزدیک محور در نقطه کانون با فاصله کانونی  $f = R/2$  و پرتوهای دیگر همگی در یک نقطه به فاصله کمتر یا بیشتر از  $R/2$  به رأس آینه، جمع می‌شوند.

(۴) همه پرتوها در نقطه کانون با فاصله کانونی  $f = R/2$  جمع می‌شوند.

۱۱۸- یک ظرف مکعبی شکل به ضلع  $50\text{ cm}$  با دیواره‌های غیرشفاف مطابق شکل زیر چنان قرار گرفته که چشم یک ناظر معین نمی‌تواند کف مکعب را ببیند، اما تمام دیواره  $CD$  را می‌تواند مشاهده کند. تا چه ارتفاعی (برحسب  $\text{cm}$ ) در این ظرف آب ضریب شکست  $\frac{4}{3}$  ریخته شود تا ناظر اشاره شده بتواند جسمی واقع دو نقطه  $F$  در کف ظرف و به فاصله



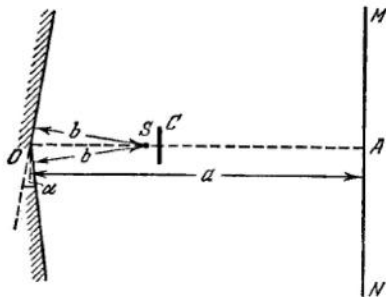
$b = 10\text{ cm}$  از نقطه  $D$  را مشاهده کند؟

- (۱)  $3/8$
- (۲)  $2/7$
- (۳)  $26/7$
- (۴)  $21/3$

۱۱۹- یک چشمه نوری نقطه‌ای در چنان فاصله‌ای از یک پرده قرار دارد که روشنایی  $4/5\text{ lx}$  در مرکز پرده ایجاد می‌کند. یک آینه تخت در طرف دیگر جسم، موازی پرده و به فاصله‌ای برابر جسم تا پرده قرار داده می‌شود. روشنایی در مرکز پرده چند  $\text{lx}$  خواهد شد؟

- (۱)  $5/6$
- (۲)  $4/5$
- (۳)  $6$
- (۴)  $5$

۱۲۰- نوری با طول موج  $600\text{ nm}$  از چشمه  $S$  مطابق شکل زیر بر دو آینه تخت که زاویه  $179^\circ$  با هم می‌سازند، می‌تابد. فاصله چشمه از دو آینه برابر  $b = 1\text{ m}$  است. نور بازتابی از دو آینه با هم ترکیب شده و طرح تداخلی روی پرده  $MN$  که به فاصله  $a = 4\text{ m}$  از دو آینه قرار دارد، ایجاد می‌شود. فاصله میان دو نوار تداخلی متوالی روی پرده چند  $\text{mm}$  است؟ (مانع  $C$  از عبور مستقیم نور از چشمه به سمت پرده جلوگیری می‌کند.)



- (۱)  $0/172$
- (۲)  $0/138$
- (۳)  $0/086$
- (۴)  $0/069$

۱۲۱- یک عدسی محدب - تخت که شعاع انحنای سطح محدب آن  $20\text{ cm}$  است از سمت منحنی روی یک شیشه تخت قرار دارد. ذرات غبار مانع تماس مستقیم عدسی و شیشه است. در این حالت شعاع ششمین حلقه تاریک نیوتن  $6\text{ mm}$  است. اگر غبار زدوده شود، شعاع این حلقه  $8\text{ mm}$  می‌شود. ضخامت لایه غبار چند  $\text{mm}$  بوده است؟

- (۱)  $0/14$
- (۲)  $1/4$
- (۳)  $0/7$
- (۴)  $0/7$

۱۲۲- کدام عبارت در مورد حلقه‌های نیوتن مشاهده شده در نور بازتابی یا نور عبوری درست است؟

- (۱) حلقه‌های مشاهده شده در نور بازتابی واضح‌تر و تیزتر هستند.
- (۲) حلقه‌های مشاهده شده در نور عبوری واضح‌تر و تیزتر هستند.
- (۳) حلقه‌های مشاهده شده در نور بازتابی و عبوری تفاوتی با هم ندارند.
- (۴) حلقه‌های نیوتن فقط در نور بازتابی قابل مشاهده هستند.

۱۲۳- پرتو نور موازی با طول موج  $720 \text{ nm}$  از هوا با زاویه تابش  $30^\circ$  بر یک لایه نازک صابون می‌تابد. ضخامت لایه چنان است که پرتوهای بازتابی در مرتبه دوم با هم تداخل سازنده دارند. اگر ضریب شکست لایه صابون  $1/3$  باشد، ضخامت این لایه چند نانومتر است؟

- (۱) ۶۰۰
- (۲) ۴۵۰
- (۳) ۱۰۸۰
- (۴) ۱۴۴۰

۱۲۴- در پراش فرانیهوفر از یک شکاف به پهنای  $b$  مکان نوارهای روشن نسبت به نوار مرکزی از چه رابطه‌ای تعیین می‌شوند؟ ( $\lambda$  طول موج نور تابشی و زاویه‌ای است که خط رسم شده از مرکز شکاف به مکان نوار روشن روی پرده با خط واصل میان مرکز شکاف و نوار مرکزی بر روی پرده می‌سازد.)

$$(1) \tan \beta = \beta \text{ که در آن } \beta = \frac{2\pi}{\lambda} b \sin \theta$$

$$(2) \tan \beta = \beta \text{ که در آن } \beta = \frac{\pi}{\lambda} b \sin \theta$$

$$(3) \sin \beta = \beta \text{ که در آن } \beta = \frac{\pi}{\lambda} b \sin \theta$$

$$(4) \sin \beta = \beta \text{ که در آن } \beta = \frac{2\pi}{\lambda} b \sin \theta$$

۱۲۵- در یک دو شکاف، پهنای هر یک از دو شکاف  $0.8 \text{ mm}$  و فاصله دو شکاف از هم  $6.4 \text{ mm}$  است. شدت بیشینه مرتبه  $m = 6$  تقریباً چند درصد شدت بیشینه مرکزی است؟

- (۱) ۱۶/۲
- (۲) ۲/۶
- (۳) ۲۱
- (۴) ۹

۱۲۶- در یک تلسکوپ قطر و فاصله کانونی عدسی شیئی آن به ترتیب  $6 \text{ cm}$  و  $15 \text{ cm}$  است. حداقل زاویه فضایی دو ستاره نسبت به این تلسکوپ باید چند ثانیه باشد تا توسط این تلسکوپ قابل تشخیص از هم باشند؟ (طول موج نور را  $600 \text{ nm}$  فرض کنید.)

- (۱) ۰/۲۵
- (۲) ۰/۱۰
- (۳) ۱۲/۲
- (۴) ۴/۹

۱۲۷- دو خطی طیفی تقریباً یکسان با طول موج  $630\text{ nm}$  تفاوت طول موجشان  $0.5\text{ nm}$  است. حداقل تعداد خطی که یک توری پراش باید داشته باشد تا این دو خط را در طیف مرتبه سوم از هم تفکیک کند، کدام است؟

- (۱) ۳۷۸۰۰
- (۲) ۱۸۹۰۰
- (۳) ۴۲۰۰
- (۴) ۲۱۰۰

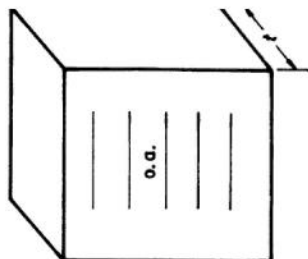
۱۲۸- در یک صفحه منطقه‌ای (zone plate) فرنل، قطر داخلی‌ترین منطقه برابر  $0.6\text{ mm}$  است. اگر پرتو موازی نور با طول موج  $500\text{ nm}$  به این صفحه بتابد، فاصله کانونی اصلی صفحه چند cm است؟

- (۱) ۱۲۰۰
- (۲) ۷۲۰
- (۳) ۶۰۰
- (۴) ۱۸۰

۱۲۹- پرتو نوری با قطبش کامل بیضوی که در راستای محور z در حرکت است، از میان یک آنالیزور با قطبش کامل خطی عبور می‌کند. هنگامی که محور عبور آنالیزور در راستای محور x باشد شدت نور خروجی از آن بیشینه و برابر  $I_0/6$  است و هنگامی که محور عبور آنالیزور در راستای محور y باشد شدت نور عبوری از آن کمینه و برابر  $I_0$  است. اگر محور عبور آنالیزور زاویه  $30^\circ$  با محور x بسازد، شدت نور خروجی از آنالیزور چقدر است؟

- (۱)  $I_0/3$
- (۲)  $I_0/15$
- (۳)  $I_0/89$
- (۴)  $I_0/45$

۱۳۰- یک تیغه نازک کوارتز با ضخامت t چنان برش داده شده است که مطابق شکل زیر محور اپتیکی (o.a.) موازی سطح تیغه است. برای نور با طول موج  $560\text{ nm}$  ضریب شکست بلور برای قطبش موازی محور اپتیکی  $1.55$  و برای قطبش عمود بر محور اپتیکی  $1.54$  است. اگر پرتو نوری با قطبش خطی به طور عمودی به سطح تیغه بتابد به طوری که راستای قطبش آن با محور اپتیکی بلور زاویه  $45^\circ$  بسازد. ضخامت t چند  $\mu\text{m}$  باشد تا پرتوی خروجی از تیغه، قطبش دایروی داشته باشد؟



- (۱) ۲۸
- (۲) ۱۴
- (۳) ۱۴۰
- (۴) ۵۶