

کد کنترل

518

E



## آزمون ورودی دوره‌های کارشناسی ارشد ناپیوسته داخل - سال ۱۴۰۱

صبح پنج‌شنبه  
۱۴۰۱/۰۲/۲۹



«اگر دانشگاه اصلاح شود مملکت اصلاح می‌شود.»  
امام خمینی (ره)

جمهوری اسلامی ایران  
وزارت علوم، تحقیقات و فناوری  
سازمان سنجش آموزش کشور

### علوم و مهندسی آب (کد ۱۳۰۲)

زمان پاسخ‌گویی: ۱۵۰ دقیقه

تعداد سؤال: ۳۰۰

جدول مواد امتحانی، تعداد و شماره سؤال‌ها

ردیف	مواد امتحانی	تعداد سؤال	از شماره	تا شماره
۱	زبان عمومی و تخصصی (انگلیسی)	۳۰	۱	۳۰
۲	ریاضیات	۲۰	۳۱	۵۰
۳	هیدرولیک و هیدرولیک انهار	۲۰	۵۱	۷۰
۴	رابطه آب و خاک و گیاه	۲۰	۷۱	۹۰
۵	سیستم‌های آبیاری	۲۰	۹۱	۱۱۰
۶	مهندسی زهکشی	۲۰	۱۱۱	۱۳۰
۷	هیدرولوژی	۲۰	۱۳۱	۱۵۰
۸	مکانیک خاک	۲۰	۱۵۱	۱۷۰
۹	ساختمان‌های انتقال و توزیع آب	۲۰	۱۷۱	۱۹۰
۱۰	هیدرولوژی آب‌های سطحی و زیرزمینی	۲۰	۱۹۱	۲۱۰
۱۱	آمار و احتمالات	۲۰	۲۱۱	۲۳۰
۱۲	مدیریت منابع آب	۲۰	۲۳۱	۲۵۰
۱۳	دروس تخصصی هواشناسی کشاورزی (هوا و اقلیم‌شناسی، زراعت، باغبانی، خاک‌شناسی، آبیاری، گیاه‌پزشکی)	۵۰	۲۵۱	۳۰۰

این آزمون نمره منفی دارد.

استفاده از ماشین حساب مجاز نیست.

حق چاپ، تکثیر و انتشار سؤال‌ها به هر روش (الکترونیکی و...) پس از برگزاری آزمون، برای همه اشخاص حقیقی و حقوقی تنها با مجوز این سازمان مجاز می‌باشد و با متخلفان برابر مقررات رفتار می‌شود.

\* متقاضی گرامی، وارد نکردن مشخصات و امضا در کادر زیر، به منزله غیبت و حضور نداشتن در جلسه آزمون است.

اینجانب ..... با شماره داوطلبی ..... با آگاهی کامل، یکسان بودن شماره سندلی خود را با شماره داوطلبی مندرج در بالای کارت ورود به جلسه، بالای پاسخنامه و دفترچه سؤالها، نوع و کد کنترل درج شده بر روی دفترچه سؤالها و پایین پاسخنامهام را تأیید می‌نمایم.

امضا:

زبان عمومی و تخصصی (انگلیسی):

## PART A: Vocabulary

*Directions: Choose the word or the phrase (1), (2), (3), or (4) that best completes the blank. Then mark the correct choice on your answer sheet.*

- 1- The rising death toll is ----- largely to the growing number of elderly people, who are especially vulnerable to the flu.  
1) attributed                      2) converted                      3) debilitated                      4) transferred
- 2- The couple were finally ----- by the landlord after not paying their rent for six months.  
1) extended                      2) elicited                      3) evicted                      4) evacuated
- 3- We have a ----- clientele in our language program, with students from Asia, Europe and South America.  
1) complex                      2) diverse                      3) symmetrical                      4) haphazard
- 4- But the possibility of these adversaries acting like friends, despite their long-standing ----- and mutual dislike, is on the horizon.  
1) rivalry                      2) advocacy                      3) inclination                      4) justification
- 5- Debating that aliens exist cannot be deemed an ----- truth as we have yet to see proof of their existence.  
1) unintelligible                      2) insensitive                      3) unforeseeable                      4) incontrovertible
- 6- The girls wanted to set the table, but they were more of a ----- than a help.  
1) compliment                      2) hindrance                      3) thrill                      4) pretension
- 7- The government is to consult the attorney general on whether the enacting of such a law would be in ----- of the constitution.  
1) provenance                      2) rationalization                      3) breach                      4) caprice
- 8- Someone once joked that man blames most accidents on -----, but feels a more personal responsibility when he makes a hole-in-one on the golf course.  
1) legality                      2) verdict                      3) charge                      4) fate
- 9- The trial collapsed when it became clear that the main witness for the prosecution was not -----.  
1) credible                      2) singular                      3) subjective                      4) conjectural
- 10- The rising number of minority inmates in prison only goes to ----- the stereotype that members of minority groups are bad people.  
1) overlook                      2) downplay                      3) belie                      4) perpetuate



**PART B: Cloze Passage**

*Directions: Read the following passage and decide which choice (1), (2), (3), or (4) best fits each space. Then mark the correct choice on your answer sheet.*

Fuel cell electric vehicles emit only water vapor and warm air, (11) ----- no tailpipe emissions. Similar to electricity, hydrogen is an energy carrier that can be produced from various feedstocks. These feedstocks and production methods should be considered when (12) -----.

Argonne National Laboratory's (ANL) report, *Fuel Choices for Fuel Cell Vehicles: Well-to-Wheels Energy and Emission Impacts*, analyzed greenhouse gas (GHG) (13) ----- 10 of the most common hydrogen production and distribution pathways. ANL found that gaseous hydrogen produces (14) ----- GHGs than liquid hydrogen in most cases. ANL also investigated hydrogen's effects on petroleum use and found that using hydrogen as a fuel (15) ----- petroleum use by nearly %100 regardless of fuel production pathway.

- |     |                                   |                                  |                                       |                                 |
|-----|-----------------------------------|----------------------------------|---------------------------------------|---------------------------------|
| 11- | 1) produce                        | 2) that produces                 | 3) to produce                         | 4) producing                    |
| 12- | 1) to evaluate hydrogen emissions | 2) evaluating hydrogen emissions | 3) for hydrogen emissions to evaluate | 4) hydrogen emissions evaluated |
| 13- | 1) emissions for                  | 2) it is emitted as              | 3) is emitted for                     | 4) to be emitted                |
| 14- | 1) less of                        | 2) as little                     | 3) fewer                              | 4) fewer of                     |
| 15- | 1) reduction                      | 2) reduced                       | 3) that reduces                       | 4) to reduce                    |

**PART C: Reading Comprehension**

*Directions: Read the following three passages and answer the questions by choosing the best choice (1), (2), (3), or (4). Then mark the correct choice on your answer sheet.*

**PASSAGE 1:**

Water resources planners face the challenge of adapting to climate change with a portfolio of potential actions, including infrastructure, operating rules, and demand conservation to reduce vulnerability. These decisions are often supported by simulation and optimization methods tailored to long-term projections of hydroclimate. However, these projections are clouded by a "cascade" of uncertainty, propagated through the chain of greenhouse gas emissions, climate models and their initial conditions, regional downscaling, hydrologic models, and human-environmental systems models, only a portion of which can be captured in ensemble projections. This is particularly the case for the uncertain trends in flood and drought risk that drive infrastructure planning.

Under these conditions, it is difficult to apply traditional decision-making methods such as cost-benefit analysis and expected value utility theory, which require exact probabilities and commensurate values. In response, several new computational frameworks have emerged to support climate adaptation. Broadly, these can be grouped into two categories: robust planning, with a focus on identifying alternatives, and dynamic planning, which aims to identify adaptation policies. While these are not

mutually exclusive — a dynamic policy can also be robust, though the reverse is not necessarily true — they face very different challenges. Robust planning frameworks are designed to circumvent the severe uncertainty in climate projections, as they aim to identify the range of scenarios leading to system vulnerabilities. These bottom-up approaches have rapidly gained traction, led by frameworks such as Robust Decision Making and Decision Scaling. Dynamic planning frameworks identify policies to select actions in response to new information over time, recognizing that decisions will be revisited as more information is collected. This goal fundamentally aligns with that of an optimal control problem, though not all dynamic planning studies have been framed this way. Policy design involves optimizing the sequence, timing, and/or threshold values of observed variables to initiate adaptations, which can be supported by optimal control methods such as Stochastic Dynamic Programming (SDP) or policy search. Additionally, several hybrid frameworks that combine optimization with adaptive management have been used to support the policy-making process, including Dynamic Adaptive Policy Pathways and Engineering Options Analysis.

- 16- According to the passage, all of the following statements are true EXCEPT -----
- 1) The traditional methods such as cost-benefit analysis and expected value utility theory need exact probabilities and commensurate values.
  - 2) The decisions that water resources planners make are supported by simulation and optimization methods.
  - 3) The new computational frameworks are more complicated to apply in comparison with the traditional frameworks.
  - 4) The portfolio of potential actions for adjusting to climate change includes elements such as infrastructure and operating rules.
- 17- It can be inferred from the passage that -----
- 1) Robust planning and dynamic planning are mutually exclusive.
  - 2) Robust planning frameworks are actually bottom-up approaches.
  - 3) Robust planning and dynamic planning face the same challenges.
  - 4) Robust planning focuses on identifying options, and can be dynamic.
- 18- The passage probably continues with a sentence about -----.
- 1) Hybrid frameworks that aid policy-making
  - 2) Threshold values of observed variables
  - 3) Optimal control methods such as SDP
  - 4) Policy design and policy search
- 19- The word ‘vulnerability’ in the passage (underlined) is closest in meaning to -----.
- |                  |                   |
|------------------|-------------------|
| 1) infeasibility | 2) immunity       |
| 3) solidarity    | 4) susceptibility |
- 20- The word ‘these’ in the passage (underlined) refers to -----.
- |               |               |
|---------------|---------------|
| 1) categories | 2) conditions |
| 3) frameworks | 4) methods    |

**PASSAGE 2:**

Water is fundamental to Earth System functioning and human society. Due to the central role of water for maintaining global biosphere integrity, regulating climate, and mediating carbon and nutrient cycling, changes to the water cycle can propagate



through the Earth System and disrupt processes interacting across numerous scales. In addition to physical processes, socioeconomic factors external to a watershed can impact local hydrological conditions. Agriculture, by far the largest user of freshwater, is driven by global socioeconomic decisions as crops are shipped all over the world. The local water cycle is shaped by global processes, and local hydrological changes can have global consequences. This emerging understanding of interconnections between local and global water systems requires integrated management and governance strategies across scales. However, developing generalizable understanding of the spatiotemporal scales spanned by the water cycle has been a longstanding challenge in hydrology and water management. In particular, recent work has identified the understanding of coupled human and natural systems across scales as a key future research priority to provide management-relevant science. While sociohydrology has been suggested as a potential tool to bridge the gaps between watershed-scale and global-scale water management, specific approaches for integrating global water sustainability targets with local water management remain lacking. The planetary boundaries framework offers one approach to bring a global perspective to local water management. The planetary boundaries framework identifies nine boundaries representing critical Earth System processes. The safe operating space bounded by the nine planetary boundaries describes the Holocene-like Earth System conditions, which so far are the only ones in which human civilization has thrived.

- 21- **What is the main purpose of this passage?**
- 1) To explain about the longstanding challenges in hydrology and global water management
  - 2) To explain about the fundamental role of water for maintaining global biosphere integrity
  - 3) To explain about the significant socioeconomic factors external to a watershed at local level
  - 4) To explain about the interconnection between local-scale and global-scale water management
- 22- **According to the passage, all of the following statements are true EXCEPT -----**
- 1) Agriculture is driven by global socioeconomic decisions.
  - 2) Physical processes can influence local hydrological conditions.
  - 3) Changes to the water cycle can disrupt processes that interact across scales.
  - 4) The planetary framework brings a local perspective to global management.
- 23- **The passage probably continues with a sentence about -----.**
- 1) sociohydrology as a tool to bridge the gaps
  - 2) the Holocene-like Earth System conditions
  - 3) the central role of water in climate regulation
  - 4) the spatiotemporal scales spanned by the water cycle
- 24- **The word ‘sustainability’ in the passage (underlined) is closest in meaning to -----.**
- |                    |                   |
|--------------------|-------------------|
| 1) demonstrability | 2) processability |
| 3) durability      | 4) pliability     |
- 25- **The word ‘ones’ in the passage (underlined) refers to -----.**
- |               |               |
|---------------|---------------|
| 1) boundaries | 2) conditions |
| 3) processes  | 4) targets    |

**PASSAGE 3:**

The global volume of digital data is expected to reach 175 zettabytes by 2025. Large-scale sensor networks, water resources management, and the monitoring of water-related hazards led to the substantial growth of the volume, variety, and velocity of water-related data. Modern data collection techniques, including satellite hydrology and crowd-sourcing tools, have revolutionized the water science and industry. The effective utilization of vast water data presents opportunities to transform water governance for the upcoming decades. In the hydrological domain, multivariate analysis relying on extensive and semantically connected data resources is required to generate actionable knowledge and produce realistic and beneficial solutions to water challenges. However, the inaccessible, unstructured, nonstandard zed, and incompatible nature of the data makes optimized data models and smarter analytics approaches a necessity.

Computerized methods to create an understanding of hydrological phenomena are based on various modeling strategies, which simplify a hydrological system to simulate its behavior. Physical models aim to achieve this goal by specifically designing complex simulations that are powered by mathematical and numeric specifications of conceptualized physical characteristics. Yet, hydrological systems, as is the case with other natural systems, are inherently heterogeneous as opposed to less complex

human-made systems with defined rules. Therefore, physical models, although deterministic and reliable, do not always perform and scale well due to their intrinsic limitations. As an alternative, statistical models have been employed to make use of the comprehensive set of available hydrological, environmental, and geophysical data. These models assume minimum awareness of the underlying mechanisms and receive their strength by eliciting useful information and patterns from the available data through statistical analyses. Nevertheless, they have displayed shortcomings in terms of accuracy and certainty, and also require excessive computational power.

- 26- According to the passage, all of the following statements are true EXCEPT -----
- 1) Hydrological systems are homogeneous as opposed to human-made systems.
  - 2) Modern data collection techniques have drastically changed the water science.
  - 3) Multivariate analysis is needed to produce realistic solutions to water problems.
  - 4) Smarter analytics approaches are required due to the no standardized nature of data.
- 27- According to the passage, statistical models in water science can utilize all the following data sets EXCEPT -----.
- |                    |                  |
|--------------------|------------------|
| 1) epidemiological | 2) environmental |
| 3) geophysical     | 4) hydrological  |
- 28- What is the author's attitude toward physical models?
- |               |              |                 |              |
|---------------|--------------|-----------------|--------------|
| 1) Admiration | 2) Disregard | 3) Indifference | 4) Suspicion |
|---------------|--------------|-----------------|--------------|
- 29- The word 'simulation' in the passage (underlined) is closest in meaning to -----:
- |                |                |
|----------------|----------------|
| 1) combination | 2) imitation   |
| 3) mediation   | 4) restoration |
- 30- The word 'they' in the passage (underlined) refers to -----.
- |               |             |
|---------------|-------------|
| 1) analyses   | 2) models   |
| 3) mechanisms | 4) patterns |



ریاضیات:

۳۱- کدام یک از توابع در  $x=1$  دارای حد دوطرفه است؟

$$y = \sqrt{x-1} \quad (1)$$

$$y = \frac{1}{[x]-1} \quad (2)$$

$$y = \frac{1}{x-1} \quad (3)$$

$$y = \frac{x-1}{x^2-1} \quad (4)$$

۳۲- حد راست عبارت  $[4x+1]$  از حد چپ آن در نقطه  $x = -\frac{1}{4}$ ، چقدر بیشتر است؟ ( [ ] نماد جزء صحیح است)

$$\frac{1}{4} \quad (2)$$

صفر (۱)

$$\frac{1}{2} \quad (3)$$

$$1 \quad (4)$$

۳۳- اگر داشته باشیم  $5 = \cosh 2x + \sinh 2x$ ، آنگاه  $x$  برابر کدام است؟

$$x = \ln\left(\frac{4}{3}\right) \quad (2)$$

$$x = \frac{1}{2} \ln\left(\frac{4}{3}\right) \quad (1)$$

$$x = -\ln\left(\frac{3}{4}\right) \quad (4)$$

$$x = \frac{1}{2} \ln\left(\frac{3}{4}\right) \quad (3)$$

۳۴- سطح محصور به منحنی  $y = \frac{1}{1+3x^2}$  و محور  $x$ ها در بازه  $[0, 1]$  چقدر است؟

$$\frac{\pi}{9} \quad (1)$$

$$\frac{9}{\sqrt{3}} \pi \quad (2)$$

$$\frac{\pi}{3} \quad (3)$$

$$\frac{\sqrt{3}\pi}{9} \quad (4)$$

۳۵- حجم دوار حاصل از دوران ناحیه محصور بین دو منحنی  $f(x) = x$  و  $g(x) = \frac{1}{x}$  حول محور  $x$ ها در بازه  $[1, 4]$

چقدر است؟

$$\frac{2}{81} \pi \quad (1)$$

$$\frac{4}{81} \pi \quad (2)$$

$$\frac{81}{2} \pi \quad (3)$$

$$\frac{81}{4} \pi \quad (4)$$

۳۶- فرض استوانه‌ای دارای حجم ثابت باشد ولی شعاع آن تغییر می‌کند (ارتفاع آن نیز حتماً تغییر می‌کند). نرخ تغییرات ارتفاع نسبت به شعاع، کدام است؟

$$-\frac{2h}{r} \quad (1)$$

$$-\frac{h}{r} \quad (2)$$

$$\frac{2h}{r} \quad (3)$$

$$\frac{h}{r} \quad (4)$$

۳۷- اگر درجه حرارت یک صفحه فلزی مطابق رویه  $T(x, y) = 20 - 4x^2 - y^2$  تغییر کند که در آن  $x$  و  $y$  بر حسب سانتی متر و  $T$  بر حسب درجه سانتی گراد است. از نقطه  $(1, \frac{1}{2})$  حداکثر نرخ افزایش بر حسب درجه در هر سانتی متر برابر کدام است؟

- (۱)  $-\sqrt{20}$   
 (۲)  $-\sqrt{10}$   
 (۳)  $\sqrt{10}$   
 (۴)  $\sqrt{20}$

۳۸- یک هواپیما در راستای خطی که با سطح افق زاویه  $60^\circ$  درجه می سازد با سرعت  $400$  کیلومتر بر ساعت از زمین بلند می شود. نرخ تغییرات ارتفاع هواپیما (کیلومتر بر ساعت) برابر کدام است؟

- (۱)  $300\sqrt{2}$   
 (۲)  $200\sqrt{3}$   
 (۳)  $200\sqrt{3}$   
 (۴)  $300\sqrt{2}$

۳۹- مکان هندسی تمام  $z$ های مختلط در رابطه  $\left|3 + \frac{1}{z}\right| > \left|1 - \frac{1}{z}\right|$ ، کدام است؟

- (۱) در دایره‌ای به مرکز  $(0, -\frac{1}{2})$  و شعاع ۱  
 (۲) در دایره‌ای به مرکز  $(0, -\frac{1}{2})$  و شعاع  $\frac{1}{2}$   
 (۳) در دایره‌ای به مرکز  $(-\frac{1}{2}, 0)$  و شعاع  $\frac{1}{2}$   
 (۴) در دایره‌ای به مرکز  $(\frac{1}{2}, 0)$  و شعاع ۱

۴۰- مساحت یکی از برگ‌های رز چهار پر  $r = \sin 2\theta$  برابر کدام است؟

- (۱)  $\pi$   
 (۲)  $\frac{\pi}{2}$   
 (۳)  $\frac{\pi}{4}$   
 (۴)  $\frac{\pi}{8}$

۴۱- مقدار متوسط  $f(x, y) = \frac{1}{4} = xy$  در ناحیه مستطیلی  $0 \leq x \leq 4$  و  $0 \leq y \leq 3$  چقدر است؟

- (۱) ۱۸  
 (۲) -۱۸  
 (۳)  $\frac{1}{18}$   
 (۴)  $-\frac{1}{18}$

۴۲- جواب عمومی معادله  $e^{-2x}y^2 + e^{-2x}y^2 - 2yy'' = 0$  کدام است؟

- (۱)  $y = ke^{-\frac{1}{\lambda}e^x + c_1x}$   
 (۲)  $y = ke^{-\frac{1}{\lambda}e^{2x} + c_1x}$   
 (۳)  $y = ke^{-\frac{1}{\lambda}e^{-2x} + c_1x}$   
 (۴)  $y = ke^{-\frac{1}{\lambda}e^{-x} + c_1x}$



۴۳- حاصل حل معادله دیفرانسیل  $y' = (x+y-1)^2 + 2(x+y-1)$  کدام است؟

- (۱)  $y = x + \frac{1}{x+c}$
- (۲)  $y = x - \frac{1}{x+c}$
- (۳)  $y = -x - \frac{1}{x+c}$
- (۴)  $y = -x + \frac{1}{x+c}$

۴۴- رابطه  $y = ce^{-kx} + 1$  جواب عمومی کدام معادله دیفرانسیل زیر است؟

- (۱)  $y'' - yy'' = -y''$
- (۲)  $y'' - yy' = -y''$
- (۳)  $y'' - yy' = y''$
- (۴)  $y'' - yy'' = y''$

۴۵- رابطه  $y = \ln(\sin(x-c_1)) + c_2$  که در آن  $c_1$  و  $c_2$  دو ثابت دلخواه است، جواب عمومی کدام معادله دیفرانسیل زیر است؟

- (۱)  $y'' = -(1-y'^2)$
- (۲)  $y'' = -(1+y'^2)$
- (۳)  $y'' = 1+y'^2$
- (۴)  $y'' = 1-y'^2$

۴۶- جرم لایه نازکی با چگالی سطحی  $\delta = 2y + 1$  که به سه خط  $y = 2x$ ,  $y = -2x$  و  $y = 2$  محدود است، کدام است؟

- (۱)  $\frac{9}{3}$
- (۲)  $\frac{11}{3}$
- (۳)  $\frac{19}{3}$
- (۴)  $\frac{22}{3}$

۴۷- معادله صفحه مماس بر رویه  $\sqrt{x} + e^x \cos y = 1 + ze^x$  در نقطه  $(1, \pi, -1)$  کدام است؟

- (۱)  $-\frac{1}{2}x - ez = \frac{1}{2} + e$
- (۲)  $\frac{1}{2}x + ez = \frac{1}{2} + e$
- (۳)  $-\frac{1}{2}x + ez = \frac{1}{2} + e$
- (۴)  $\frac{1}{2}x - ez = \frac{1}{2} + e$

۴۸- وضعیت پیوستگی تابع زیر کدام است؟

$$f(x,y) = \begin{cases} \frac{\sin^2(x-y)}{|x|+|y|} & (x,y) \neq (0,0) \\ 0 & x=y=0 \end{cases} \quad \text{تابع}$$

(۲) مقدار در مبدأ ناموجود است.  
(۴) هیچ کدام

(۱) مقدار در مبدأ پیوسته است.  
(۳) مقدار در مبدأ ناپیوسته است.

۴۹- نوع ماتریس  $A = \begin{bmatrix} 3 & -1 & 1 \\ -1 & 5 & -1 \\ 1 & -1 & 3 \end{bmatrix}$ ، کدام است؟

(۳) مثبت معین      (۴) منفی معین

(۱) منفی نامعین      (۲) مثبت نامعین

۵۰- برای ماتریس  $\begin{bmatrix} 2 & 4 \\ 1 & 5 \end{bmatrix}$ ، مقادیر ویژه چقدر است؟

(۲) ۶، ۰

(۱) ۱، ۰

(۴) ۶، ۲

(۳) ۶، ۱

### هیدرولیک و هیدرولیک انهار:

۵۱- انرژی مخصوص و نیروی مخصوص به ترتیب چگونه باشند تا عمق بحرانی در کانال مستطیلی اتفاق بیفتند؟  
(۱) حداقل و حداقل      (۲) حداقل و حداکثر      (۳) حداکثر و حداقل      (۴) حداکثر و حداکثر

۵۲- نسبت عمق‌های متناظر در کانال مستطیلی کدام است؟

$$\frac{y_1}{y_2} = \left( \frac{Fr_1}{Fr_2} \right)^{1/3} \quad (۲)$$

$$\frac{y_1}{y_2} = \frac{Fr_2^2}{Fr_1^2} \quad (۱)$$

$$\frac{y_1}{y_2} = \frac{1}{2} \left( \sqrt{1 + 8Fr_2^2} \right) \quad (۴)$$

$$\frac{y_1}{y_2} = \frac{2 + Fr_2^2}{2 + Fr_1^2} \quad (۳)$$

۵۳- جریانی با معادله سرعت  $(\bar{V} = \Delta x \bar{I})$  مشخص شده است. نوع جریان کدام است؟

(۲) غیرماندگار یکنواخت

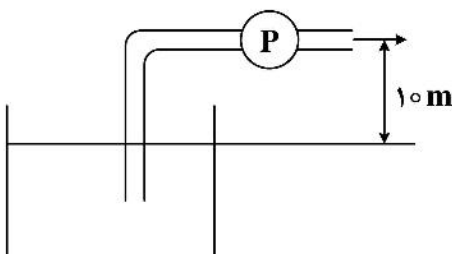
(۱) غیرماندگار غیریکنواخت

(۴) ماندگار غیریکنواخت

(۳) ماندگار یکنواخت

۵۴- پمپی مطابق شکل آب را به هوا پرتاب می‌کند. مقدار دبی  $Q = 10$  لیتر بر ثانیه و سطح مقطع لوله  $A = 0.01$  مترمربع

است. افت انرژی کل چند متر است؟ (توان پمپ ۲۰ کیلووات است).  $\left( g = 10 \frac{m}{s^2} \right)$



(۱) ۵

(۲) ۱۰

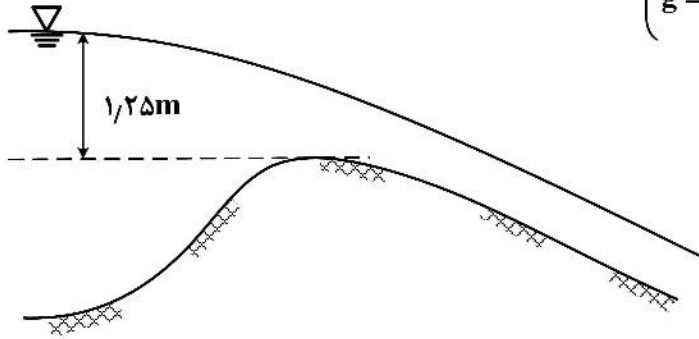
(۳) ۱۵

(۴) ۲۰



۵۵- از یک دریاچه مطابق شکل زیر توسط یک کانال مثلثی قائم‌الزاویه با شیب تند آبیگری انجام می‌شود. دبی خروجی

بر حسب مترمکعب بر ثانیه کدام است؟  $\left(g = 10 \frac{m}{s^2}\right)$



(۱)  $\sqrt{0.5}$

(۲)  $0.5$

(۳)  $\sqrt{5}$

(۴)  $5$

۵۶- حداکثر میزان افزایش برآمدگی در مسیر یک کانال مستطیلی با اطلاعات زیر چند متر باشد تا عمق آب قبل از برآمدگی دچار تغییر نشود؟

$y_c = 3m$

$E_1 = 5m$

(۲)  $0.5$

(۴)  $1$

(۱)  $0.25$

(۳)  $0.75$

۵۷- در کانال مستطیلی عریض جریان بجرانی برقرار است. اگر شیب بحرانی کانال  $0.009$  باشد، مقدار عمق بحرانی چند متر است؟ ( $n = 0.03$ )

(۱)  $0.24$

(۲)  $0.5$

(۳)  $1$

(۴)  $1.2$

۵۸- در ترکیب کدام شیب، پرش هیدرولیکی رخ می‌دهد؟

(۱) افقی به تند (۲) بحرانی به افقی (۳) تند به ملایم (۴) ملایم به معکوس

۵۹- اگر رابطه بین اعماق قبل و بعد از پرش هیدرولیکی به صورت  $y_1 = 0.25y_2$  باشد، عدد فرود جریان فوق بحرانی کدام است؟

(۱)  $\sqrt{10}$

(۲)  $8\sqrt{10}$

(۳)  $\frac{\sqrt{10}}{8}$

(۴)  $\frac{8}{\sqrt{10}}$

۶۰- اگر قطر و بدنه یک لوله هر کدام نصف شود، افت لوله نسبت به حالت اول چند برابر می‌شود؟

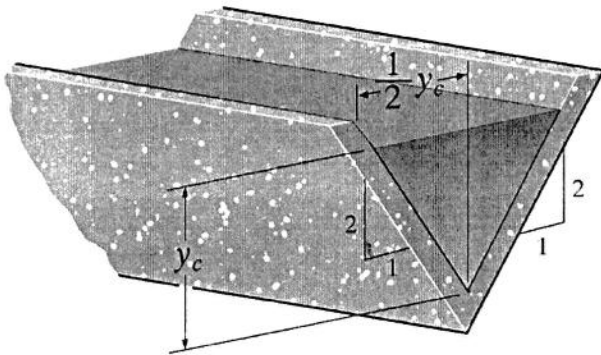
(۱)  $0.5$

(۲)  $2$

(۳)  $4$

(۴)  $8$

۶۱- در کانال مثلثی نشان داده شده با ضریب مانینگ  $0.14$ ، عمق بحرانی جاری است. اگر بده جریان  $2$  مترمکعب بر ثانیه و شتاب ثقل  $10$  متر بر مجذور ثانیه باشد، عمق بحرانی بر حسب متر کدام است؟

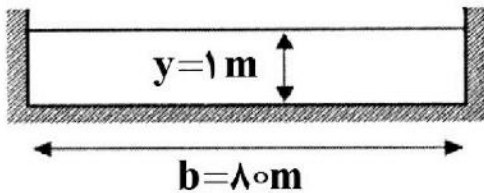


- (۱)  $1.5 \times 10^{-0.2}$
- (۲)  $2 \times 10^{-0.2}$
- (۳)  $3 \times 10^{-0.2}$
- (۴)  $4 \times 10^{-0.2}$

۶۲- انرژی مخصوص حداقل در کانال مثلثی چند برابر عمق بحرانی است؟

- |                   |                   |
|-------------------|-------------------|
| (۱) $\frac{2}{3}$ | (۲) $\frac{3}{2}$ |
| (۳) $\frac{4}{5}$ | (۴) $\frac{5}{4}$ |

۶۳- در کانال مستطیلی به شکل زیر، اگر ضریب شزی  $50 \frac{\sqrt{m}}{s}$  باشد، دبی جریان چند مترمکعب بر ثانیه می شود؟

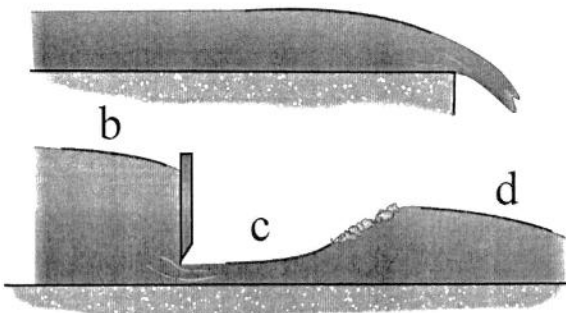


- ( $S_0 = 0.0004$ )
- (۱)  $80$
  - (۲)  $\sqrt{10}$
  - (۳)  $8\sqrt{10}$
  - (۴)  $80\sqrt{10}$

۶۴- اگر خطای نسبی قابل قبول بده برای سرریز مستطیلی  $\pm 2$  درصد و خطای اندازه گیری عمق آب (هد روی سرریز) برابر  $\pm 1$  میلی متر باشد، حداقل هد روی سرریز چند میلی متر می تواند باشد؟

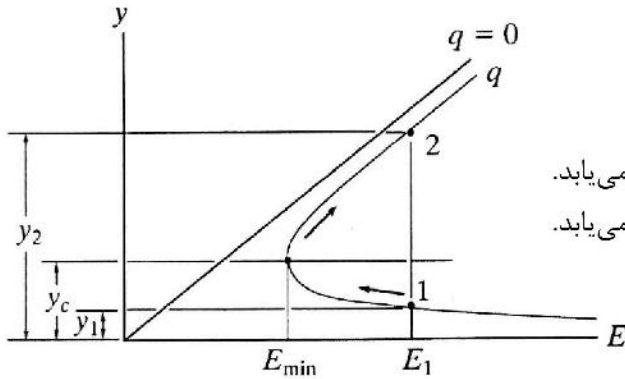
- |          |           |
|----------|-----------|
| (۱) $50$ | (۲) $60$  |
| (۳) $75$ | (۴) $100$ |

۶۵- در کانال افقی مطابق شکل زیر، نام پروفیل های سطح آب  $a, b, c, d$  به ترتیب از راست به چپ کدام است؟



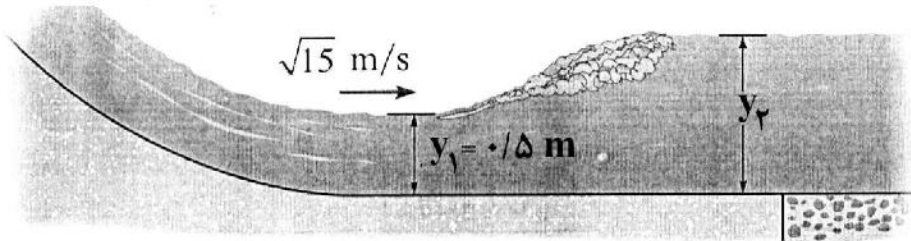
- (۱)  $H_1$  و  $H_3, H_2, H_1$
- (۲)  $H_2$  و  $H_3, H_2, H_2$
- (۳)  $H_3$  و  $H_2, H_3, H_3$
- (۴)  $H_3$  و  $H_1, H_3, H_3$

۶۶- منحنی انرژی مخصوص در کانال مستطیلی مطابق شکل زیر است. با افزایش انرژی مخصوص در کانال، کدام مورد اتفاق می افتد؟



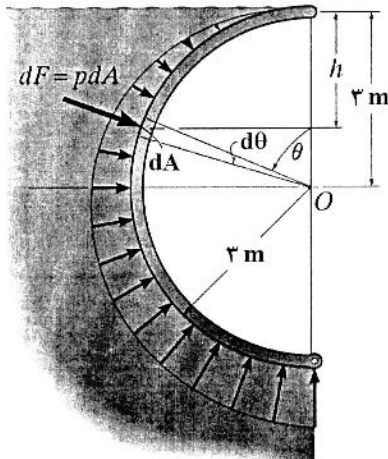
- (۱) عمق جریان در کانال کاهش می یابد.
- (۲) عمق جریان در کانال افزایش می یابد.
- (۳) عمق فوق بحرانی افزایش و عمق زیر بحرانی کاهش می یابد.
- (۴) عمق فوق بحرانی کاهش و عمق زیر بحرانی افزایش می یابد.

۶۷- در کانال مستطیلی زیر، عمق ثانویه جهش هیدرولیکی بر حسب متر کدام است؟ (شتاب ثقل  $10 \frac{m}{s^2}$  است.)



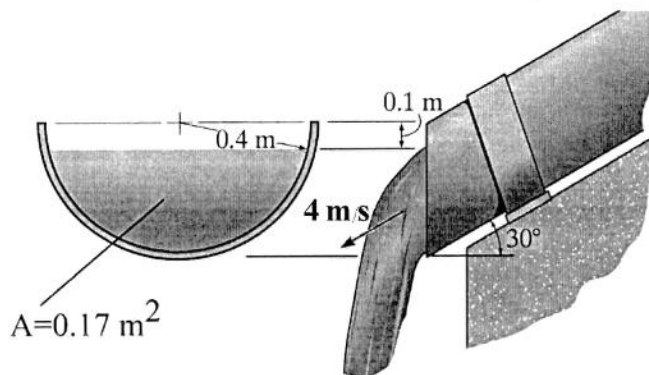
- (۱) ۱
- (۲) ۰٫۷۵
- (۳) ۱٫۵
- (۴) ۱٫۲۵

۶۸- نیروی افقی وارد بر دریچه نیم استوانه ای شکل به ارتفاع ۴ متر چند کیلونیوتن است؟ (شتاب ثقل  $10 \frac{m}{s^2}$  است.)



- (۱) ۶۸۴
- (۲) ۷۲۰
- (۳) ۷۵۰
- (۴) ۸۳۰

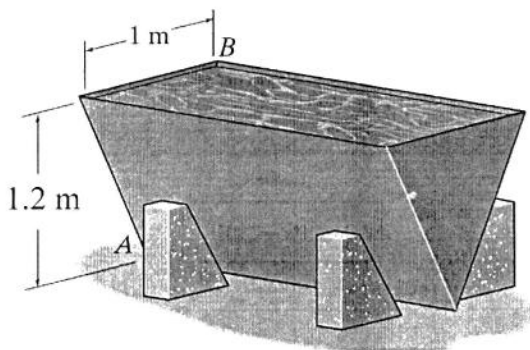
۶۹- بده جریان در لوله شکل زیر بر حسب مترمکعب بر ثانیه، کدام است؟



- (۱) ۰٫۱۷
- (۲) ۰٫۱۷√۳
- (۳) ۰٫۳۴
- (۴) ۰٫۳۴√۳



۷۰- نیروی وارد بر یکی از وجه‌های مثلثی مخزن آب زیر، چند کیلونیوتن است؟ (شتاب ثقل  $10 \frac{m}{s^2}$  است.)



- (۱) ۲/۴
- (۲) ۲/۱
- (۳) ۱/۶
- (۴) ۱/۲

رابطه آب و خاک و گیاه:

۷۱- تأثیر متراکم شدن خاک بر شکل منحنی مشخصه رطوبتی، کدام است؟

- (۱) افزایش شیب منحنی و کاهش درصد رطوبت اشباع
- (۲) افزایش شیب منحنی و درصد رطوبت اشباع
- (۳) کاهش شیب منحنی و افزایش درصد رطوبت اشباع
- (۴) کاهش شیب منحنی و درصد رطوبت اشباع

۷۲- سطح ویژه ذرات رس و شن به ترتیب معمولاً در کدام دامنه (متر مربع بر گرم) قرار می‌گیرند؟

- (۱) ۱-۵ و ۲۰-۳۰
- (۲) ۱-۲ و ۲۰۰-۳۰۰
- (۳) ۱۰۰-۵۰۰ و ۲۰۰۰-۳۰۰۰
- (۴) ۵۰-۱۰۰ و ۴۰۰-۶۰۰

۷۳- در روش پمپ فشاری، فشار لازم برای خروج شیره آوندی ۱۵۰۰ کیلو پاسکال به دست آمد. مکش آب در آوند

چوبی برگ تقریباً چند بار است؟

- (۱) ۱۰-
- (۲) ۱۰
- (۳) ۱۵-
- (۴) ۱۵

۷۴- پتانسیل محلولی با ۰/۱ مول نمک، چند بار است؟

- (۱) ۲/۳-
- (۲) صفر
- (۳) ۲/۳
- (۴) ۲۲/۴

۷۵- اگر حداکثر تخلیه مجاز برابر ۰/۶ و FC و PWP خاک برابر ۲۵ و ۱۵ درصد حجمی باشد، مقدار آب قابل استفاده

و آب سهل‌الوصول در یک متر عمق این خاک برحسب میلی متر چقدر است؟ (از راست به چپ)

- (۱) ۴۵ و ۱۰/۵
- (۲) ۱۰۰ و ۶۰
- (۳) ۴۵ و ۱۵۰
- (۴) ۲۵۰ و ۱۵۰

۷۶- براساس پیشنهاد فائو، دوره رشد گیاه به چهار مرحله تقسیم می‌شود، کدام مورد مرحله دوم آن را که رشد سریع

گیاه است، نشان می‌دهد؟

- (۱) از زمانی که گیاه ۸۰ درصد سطح زمین را پوشانده تا مرحله برداشت محصول
- (۲) از زمانی که گیاه ۱۰ درصد سطح زمین را پوشانده تا مرحله برداشت محصول
- (۳) از زمانی که گیاه ۱۰ درصد سطح زمین را پوشانده تا زمانی که ۸۰ درصد سطح زمین را پوشش می‌دهد.
- (۴) از زمانی که گیاه ۴۰ درصد سطح زمین را پوشانده تا زمانی که ۸۰ درصد سطح زمین را پوشش می‌دهد.

- ۷۷- در خاک لوم، کدام پتانسیل‌ها در جذب آب توسط گیاه، نقش بیشتری دارند؟  
 (۱) اسمزی و ماتریک  
 (۲) اسمزی و فشاری  
 (۳) ثقلی و فشاری  
 (۴) ماتریک و ثقلی
- ۷۸- اگر پتانسیل فشاری و اسمزی سلول به ترتیب  $+20$  (بار) و  $-40$  (بار) باشد، کمبود فشار پخشیدگی در سلول چند بار است؟  
 (۱) صفر  
 (۲)  $-60$   
 (۳)  $+20$   
 (۴)  $+40$
- ۷۹- تفاوت سلول‌های محافظ با سلول‌های اپیدرم در داشتن کدام مورد است؟  
 (۱) ریبوزوم  
 (۲) کلروپلاست  
 (۳) میتوکندری  
 (۴) هسته
- ۸۰- پتانسیل آب در برگ‌های پلاسیده حدوداً چند مگاپاسکال است؟  
 (۱)  $-10$   
 (۲) صفر  
 (۳)  $-2$   
 (۴)  $2$
- ۸۱- خاکی دارای ذرات ورقه‌ای به ضخامت  $10$  نانومتر است. سطح ویژه این خاک چند مترمربع بر گرم است؟ (جرم مخصوص حقیقی ذرات خاک  $2.65$  گرم بر سانتی‌مترمکعب است).  
 (۱)  $0.75$   
 (۲)  $7.5$   
 (۳)  $750$   
 (۴)  $75$
- ۸۲- در خاکی که تخلخل آن  $50$  درصد است، اگر ضریب هدایت هیدرولیکی  $1$  متر بر روز و اختلاف پتانسیل  $2$  متر و طول مسیر جریان  $1$  متر باشد، سرعت واقعی آب در خاک چند متر بر روز است؟  
 (۱)  $1$   
 (۲)  $1.5$   
 (۳)  $2$   
 (۴)  $4$
- ۸۳- اگر قطر لوله موئین از  $1$  میلی‌متر به  $2$  میلی‌متر افزایش یابد، تغییر ارتفاع صعود موئینه‌ای چند برابر می‌شود؟  
 (۱)  $0.25$   
 (۲)  $0.5$   
 (۳)  $2$   
 (۴)  $4$
- ۸۴- در روش اتافک فشار از کدام گاز استفاده می‌شود؟  
 (۱) ازت  
 (۲) اکسیژن  
 (۳) هلیوم  
 (۴) هیدروژن
- ۸۵- عملکرد گیاهی در خاکی با شوری عصاره اشباع  $9$  دسی‌زیمنس بر متر نسبت به عملکرد پتانسیل  $30$  درصد کاهش یافته است. اگر آستانه تحمل این گیاه به شوری برابر با  $5$  دسی‌زیمنس بر متر باشد، عملکرد این گیاه در شوری  $11$  دسی‌زیمنس بر متر، چند درصد کاهش می‌یابد؟  
 (۱)  $65$   
 (۲)  $55$   
 (۳)  $45$   
 (۴)  $35$
- ۸۶- اثر کاهش فتوسنتز بر نسبت ریشه به ساقه، کدام است؟  
 (۱) اثری ندارد.  
 (۲) افزایش می‌دهد.  
 (۳) کاهش می‌دهد.  
 (۴) به شرایط بستگی دارد ولی معمولاً افزایش می‌دهد.
- ۸۷- اولین مرحله جذب از طریق برگ، نفوذ در کدام بخش است؟  
 (۱) روزنه  
 (۲) کوتیکول  
 (۳) عدسک  
 (۴) واکوئل

- ۸۸- اگر اختلاف پتانسیل و مقاومت در مسیر حرکت آب در مسیر خاک - ریشه - گیاه، دو برابر شود، سرعت جذب آب چگونه خواهد بود؟
- (۱) ۰٫۵ (۲) ۲ (۳) ۴ (۴) تغییری نخواهد داشت.
- ۸۹- با افزایش رطوبت آب در خاک، ضریب دی الکتریک خاک چه تغییری می‌کند؟
- (۱) افزایش می‌یابد.  
 (۲) کاهش می‌یابد.  
 (۳) ضریب دی الکتریک تغییری نمی‌کند.  
 (۴) تا رطوبت ظرفیت زراعی افزایش و پس از آن کاهش می‌یابد.
- ۹۰- اگر سرعت نفوذ نهایی آب در خاک ۱۰ میلی‌متر در ساعت باشد، سرعت نفوذ آب در خاک در دقیقه ۵۰ بعد از آغاز فرایند نفوذ، چند میلی‌متر بر ساعت می‌تواند باشد؟
- (۱) کمتر از ۴ (۲) کمتر از ۱۰  
 (۳) ۵ (۴) ۱۲

### سیستم‌های آبیاری:

- ۹۱- تبخیر - تعرق گندم برابر ۶ میلی‌متر بر روز و عمق ناخالص آبیاری ۵۰ میلی‌متر است. اگر تلفات نفوذ عمقی و تبخیر - بادبردگی در سیستم آبیاری بارانی به ترتیب ۱۰ و ۲۰ درصد باشد، دور آبیاری چند روز است؟
- (۱) ۵  
 (۲) ۶  
 (۳) ۷  
 (۴) ۸
- ۹۲- دبی آبپاش سیستم قرقره‌ای برابر با ۵۰ لیتر بر ثانیه و سرعت حرکت دستگاه ۰٫۵ متر بر دقیقه است. اگر عمق ناخالص آبیاری ۸ سانتی‌متر باشد، فاصله بین مسیرهای حرکت دستگاه چند متر است؟
- (۱) ۳۰  
 (۲) ۴۵  
 (۳) ۶۰  
 (۴) ۷۵
- ۹۳- ظرفیت سیستم آبیاری بارانی برابر با ۱۰ لیتر بر ثانیه است. اگر تعداد و طول لاترال‌ها و فاصله آبپاش‌ها به ترتیب ۵، ۱۰۰ و ۱۰ متر باشد، مقدار دبی هر آبپاش چند لیتر بر دقیقه است؟
- (۱) ۱۰ (۲) ۱۲  
 (۳) ۴۸ (۴) ۶۰
- ۹۴- آبپاش‌ها در مزرعه‌ای به صورت آرایش مثلثی قرار گرفتند. اگر طول هر کدام از اضلاع مثلث برابر ۱۵ متر باشد، فاصله لاترال‌ها از یکدیگر چند متر است؟
- (۱) ۹ (۲) ۱۳  
 (۳) ۱۴ (۴) ۱۵



۹۵- دبی آبیاشی ۶/۲۸ لیتر در ثانیه و شعاع پاشش آن ۳۰ متر است، اگر آبیاش نیم دور بچرخد (۱۸۰ درجه کار کند) شدت پاشش آبیاش چند میلی‌متر بر ساعت است؟

- (۱) ۴  
(۲) ۶  
(۳) ۱۲  
(۴) ۱۶

۹۶- اگر نمایه اشباع لانژیلر (LSI) مثبت باشد، کدام ماده شیمیایی برای جلوگیری از گرفتگی قطره‌چکان توصیه می‌شود؟  
(۱) سولفات مس (۲) هیپوکلریت سدیم (۳) کربنات کلسیم (۴) کلریدریک اسید

۹۷- تغییرات مجاز فشار در یک زیر واحد آبیاری قطره‌ای ۲/۵ متر است. اگر دبی چارک پایین خروجی‌ها ۳/۶ لیتر بر ساعت و رابطه دبی - فشار خروجی به صورت  $q = 1.2 h^{0.5}$  بر حسب لیتر بر ساعت و  $h$  بر حسب متر باشد، فشار متوسط خروجی‌ها چند متر است؟

- (۱) ۸  
(۲) ۹  
(۳) ۱۰  
(۴) ۱۱

۹۸- در باغی مجهز به یک سیستم قطره‌ای به ابعاد ۵۴۰ در ۴۰۰ متر، تعداد ۴ قطره‌چکان برای هر درخت پیش‌بینی شده‌است. نیاز آبی حداکثر روزانه ۵ میلی‌متر و راندمان آبیاری ۹۰ درصد محاسبه شده‌است. ساعت کار سیستم ۲۲ ساعت در روز و تعداد درخت در هکتار ۱۵۰ عدد است. چند قطره‌چکان در این باغ مورد نیاز است؟

- (۱) ۲۰۰۰۰  
(۲) ۱۳۵۴۰  
(۳) ۱۲۹۶۰  
(۴) ۵۸۰۰

۹۹- اگر قطر قطره‌چکان‌های روزنه‌ای در یک روش آبیاری قطره‌ای بر اثر رسوب‌گذاری، به نصف کاهش پیدا کند، برای جلوگیری از کاهش دبی، فشار قطره‌چکان باید چند برابر شود؟

- (۱) ۲  
(۲) ۴  
(۳) ۸  
(۴) ۱۶

۱۰۰- در مزرعه ۲ هکتاری قرار است یک سیستم قطره‌ای به ظرفیت ۵/۵ لیتر در ثانیه با فشار کاری ۱۰ متر اجرا شود، درصد تغییرات دبی قطره‌چکان‌ها ۲۰ درصد و دبی واقعی کل ۵ لیتر در ثانیه است. اگر نیاز خالص آبیاری ۶ میلی-متر باشد، این سیستم چند ساعت باید در روز کار کند؟ (راندمان آبیاری در این شرایط ۸۰ درصد است.)

- (۱) ۶/۶  
(۲) ۷/۵  
(۳) ۸/۳  
(۴) ۹

۱۰۱- در باغی آرایش کاشت ۵×۶ (متر در متر) سطح سایه‌انداز درختان ۶۰ درصد است. اگر قطره‌چکان ۴ لیتر در ساعت با عرض خیس‌شده ۱/۲۵ متر استفاده شود، برای ایجاد ۵۰ درصد سطح خیس‌شده تعداد قطره‌چکان مورد نیاز کدام است؟

- (۱) ۶  
(۲) ۸  
(۳) ۱۲  
(۴) ۲۴

۱۰۲- در جویچه با شیب  $0.01$  و مقطع مثلثی شکل، عمق جریان  $0.2$  متر و عرض بالای جریان  $0.6$  متر است. حداکثر سرعت مجاز غیرفرسایشی چند متر در دقیقه است؟

(۱) ۶

(۲)  $0.6$ (۳)  $0.1$ 

(۴) ۳۶

۱۰۳- سرعت پیشروی و پسروی آب در آبیاری جویچه‌ای با افزایش فاصله از ابتدای جویچه چگونه تغییر می‌کند؟

(۱) به ترتیب کاهش و افزایش می‌یابد.

(۲) به ترتیب افزایش و کاهش می‌یابد.

(۳) در هر دو حالت کاهش می‌یابد.

(۴) در هر دو حالت افزایش می‌یابد.

۱۰۴- عمق آب نفوذیافته در هشت نقطه یک مزرعه برابر  $4.4, 4.2, 3.8, 3.6, 4.3, 4.1, 3.9$  و  $4.5$  سانتی‌متر اندازه‌گیری شد. یکنواختی توزیع چارک پایین آب آبیاری چند درصد است؟

(۱) ۸۰

(۲) ۹۰

(۳) ۸۸

(۴) ۹۲

۱۰۵- اگر نیاز ناخالص آبیاری گیاه ذرت ۶ میلی‌متر بر روز باشد، هیدرومدول آبیاری چند لیتر بر ثانیه بر هکتار است؟

(۱)  $0.6$ (۲)  $0.7$ (۳)  $0.8$ (۴)  $0.9$ 

۱۰۶- زمان پیشروی آب در فواصل  $120$  و  $60$  متری از ابتدای جویچه به ترتیب برابر با  $100$  و  $25$  دقیقه است. پیشروی آب در فاصله  $72$  متری از ابتدای مزرعه چند دقیقه طول خواهد کشید؟

(۱) ۲۷

(۲) ۳۰

(۳) ۳۶

(۴) ۴۵

۱۰۷- در منطقه‌ای رطوبت ظرفیت مزرعه و نقطه پژمردگی به ترتیب برابر  $25$  و  $10$  درصد وزنی است. اگر نسبت آب سهل‌الوصول به آب قابل استفاده  $60$  درصد باشد، رطوبت خاک هنگام آبیاری چند درصد است؟

(۱) ۱۶

(۲) ۱۵

(۳) ۱۰

(۴) ۹

۱۰۸- مفهوم نسبت موج (Cycle Ratio) در آبیاری موجی، کدام است؟

(۱) نسبت مدت زمان قطع به مدت زمان موج

(۲) نسبت مدت زمان قطع به مدت زمان وصل

(۳) نسبت مدت زمان وصل به مدت زمان قطع

(۴) نسبت مدت زمان وصل به مدت زمان موج

۱۰۹- محیط خیس شده در آبیاری شیاری با شیب شیاری و ضریب زبری به ترتیب چه رابطه‌ای دارد؟

- (۱) معکوس، مستقیم  
 (۲) معکوس، معکوس  
 (۳) مستقیم، معکوس  
 (۴) مستقیم، مستقیم

۱۱۰- اگر فشار کاری آبیاری در سیستم لوله چرخ دار ۴۰۰ کیلو پاسکال، طول و شیب لاترال به ترتیب ۲۰۰ متر و ۰٫۰۰۵، افت اصطکاکی در هر متر طول ۰٫۰۲ متر و ارتفاع لوله لاترال از سطح زمین یک متر باشد، فشار لازم در محل ورود آب از لوله اصلی به لاترال چند متر است؟ (لاترال در جهت شیب قرار گرفته است.)

- (۱) ۴۳٫۵  
 (۲) ۴۴٫۵  
 (۳) ۴۳  
 (۴) ۴۲٫۵

### مهندسی زهکشی:

۱۱۱- برای بررسی عملکرد سیستم زهکشی از لحاظ گرفتگی، کدام وسیله مورد نیاز است؟

- (۱) پیزومتر  
 (۲) تانسیومتر  
 (۳) جت آبی  
 (۴) فلومتر

۱۱۲- در زهکش‌های زیرزمینی رعایت حداقل شیب برای .....-

- (۱) تأمین سرعت لازم برای پیشگیری از رسوب گذاری در لوله است.  
 (۲) جلوگیری از فرسایش خاک اطراف لوله است.  
 (۳) رعایت طراحی ثقلی شبکه‌ای زهکشی است.  
 (۴) تأمین سرعت لازم برای پیشگیری از رسوب گذاری در لوله وجود ندارد.

۱۱۳- در شرایط تعادل (Equilibrium) اختلاف پتانسیل در نقاط مختلف در بالای سطح ایستابی (سطح مبنا) ..... است.

- (۱) صفر  
 (۲) منفی  
 (۳) مثبت  
 (۴) نامعلوم

۱۱۴- در زهکش حائل، شیب لایه غیرقابل نفوذ ۵ درصد، ارتفاع آب روی لایه غیرقابل نفوذ در بالادست ۱٫۵ متر و در پایین دست زهکش ۰٫۵ متر است. زهکش حائل چند درصد از آب زیرزمینی را دریافت می‌کند؟

- (۱) ۳۳  
 (۲) ۵۰  
 (۳) ۶۷  
 (۴) ۱۰۰

۱۱۵- ترسیم نقشه‌های هم‌عمق در پروژه‌های زهکشی به منظور تعیین کدام مورد انجام می‌شود؟

- (۱) جهت جریان  
 (۲) موقعیت مکانی نقاط هم‌پتانسیل  
 (۳) تراکم فاصله زهکش‌ها در هر منطقه  
 (۴) موقعیت مکانی مناطق دارای مشکل زهکشی

۱۱۶- افت سطح ایستابی در مزرعه‌ای در عرض ۶ روز برابر ۳۰ سانتی‌متر است. اگر تخلخل قابل زهکشی برابر ۵ درصد باشد، متوسط ضریب زهکشی کدام است؟ (بر حسب میلی‌متر در روز)

- (۱) ۱٫۵  
 (۲) ۲٫۳  
 (۳) ۲٫۵  
 (۴) ۳٫۲



۱۱۷- در طراحی شبکه‌های زهکشی، تفاوت فواصل زهکش‌ها براساس تقسیم‌بندی، کدام است؟

- (۱) توپوگرافی متفاوت  
(۲) کشت متفاوت  
(۳) ضریب زهکشی متفاوت  
(۴) مناطق هم K

۱۱۸- اگر در مزرعه‌ای، هدایت هیدرولیکی خاک ۱ متر در روز، عمق معادل ۳ متر و فاصله زهکش ۳۰ متر باشد، مقدار ضریب عکس‌العمل چقدر است؟

- (۱) ۰/۳  
(۲) ۰/۴  
(۳) ۱/۳  
(۴) ۱/۴

۱۱۹- اگر شوری آب آبیاری ۲۱/۰ درصد باشد، شوری آب آبیاری چند ppm است؟

- (۱) ۲۱ (۲) ۱۰۵ (۳) ۱۳۴ (۴) ۲۱۰

۱۲۰- اگر آبشویی مؤثری در طول یک فصل رشد وجود نداشته باشد، میزان تجمع املاح در اثر ۱۵۰ سانتی‌متر آبیاری با

کیفیت ۱ دسی‌متر بر متر کدام است؟ (برحسب  $\frac{kg}{ha}$ )

- (۱) ۹۶۰  
(۲) ۹۶۰۰  
(۳) ۵۶۰  
(۴) ۵۶۰۰

۱۲۱- برای جلوگیری از بالا آمدن سطح ایستابی در اثر تلفات نفوذ عمقی از یک زهکش سراسری به طول ۲۰۰ متر در وسط یک زمین با عرض ۱۰۰ متر استفاده شده است. اگر میزان متوسط افت سطح ایستابی به میزان ۳ سانتی‌متر در روز و تخلخل قابل زهکشی برابر با ۱۰ درصد باشد، متوسط جریان خروجی زهکش برحسب لیتر بر ثانیه کدام است؟

- (۱) ۷  
(۲) ۰/۷  
(۳) ۱۴  
(۴) ۱/۴

۱۲۲- عمق سطح ایستابی در طول یک هفته در بین دو زهکش به ترتیب برابر با ۹۵، ۸۰، ۷۰، ۶۵، ۶۰، ۵۰ سانتی‌متر است.  $SEW_{70}$  کدام است؟

- (۱) ۳۵ (۲) ۷۰ (۳) ۸۰ (۴) ۱۱۵

۱۲۳- در منطقه‌ای لایه‌بندی خاک نشان می‌دهد لایه غیرقابل نفوذ در عمق بی‌نهایت و عمق معادل برابر ۹ متر است. اگر بار هیدرولیکی در وسط دو زهکش برابر ۰/۶ متر و هدایت هیدرولیکی خاک برابر یک متر در روز باشد، فاصله زهکش‌ها برحسب متر کدام است؟

- (۱) ۵۰  
(۲) ۶۰  
(۳) ۶۶  
(۴) ۷۱

۱۲۴- خیز سطح ایستابی در اثر هر آبیاری به مقدار خالص  $۴/۲$  سانتی‌متر، راندمان ۵۵ درصد و رواناب سطحی ۱۵ درصد را در مزرعه‌ای با خاک یکنواخت و تخلخل قابل زهکشی ۹ درصد، کدام است؟ (برحسب سانتی‌متر)

- (۱)  $۱۳/۸$       (۲)  $۲۵/۵$   
 (۳)  $۲۸/۲$       (۴)  $۳۸/۲$

۱۲۵- حدود بالا و پایین در نظر گرفته‌شده برای پوشش زهکش‌ها به روش SCS به ترتیب برای لحاظ کردن کدام معیار طراحی پوشش است؟

- (۱) معیار فیلتر و هدایت هیدرولیکی      (۲) هدایت هیدرولیکی و معیار فیلتر  
 (۳) هدایت هیدرولیکی و مقاومت مکانیکی      (۴) معیار مقاومت مکانیکی و هدایت هیدرولیکی

۱۲۶- در تدوین شبکه جریان به سمت زهکش‌های لوله‌ای، کدام نادرست است؟

- (۱) محیط لوله به‌عنوان خط هم‌پتانسیل لحاظ می‌شود.  
 (۲) لایه مانع به‌عنوان خط جریان لحاظ می‌شود.  
 (۳) سطح ایستابی به‌عنوان خط هم‌پتانسیل لحاظ می‌شود.  
 (۴) مرز تفکیک جریان بین دو زهکش به‌عنوان خط جریان لحاظ می‌شود.

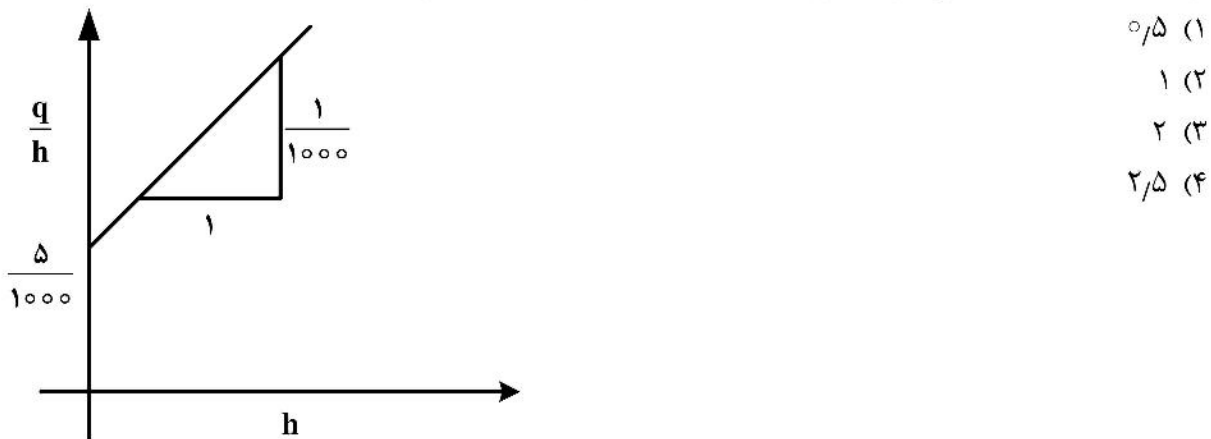
۱۲۷- نوع زهکشی لازم برای اراضی که در اثر نشت از کانال خاکی آبرسانی در مجاورت زمین زهدار شده، کدام است؟

- (۱) پوشش‌دار کردن کانال آبرسانی      (۲) تنظیم سطح آب در کانال آبرسانی  
 (۳) زهکش حائل سطحی      (۴) زهکش حائل زیرزمینی

۱۲۸- در ناحیه‌ای تخلخل قابل زهکشی خاک به‌طور متوسط ۶ درصد است. در این ناحیه به ازای یک بارندگی ۲ ساعته، سطح ایستابی به مقدار  $۰/۵$  متر بالا آمدگی داشته است. اگر بارش مؤثر ۷۵ درصد بارش ناحیه باشد، شدت بارش (برحسب میلی‌متر بر ساعت) در ناحیه با صرف‌نظر کردن از مقادیر تبخیر و جریان سطحی چقدر تخمین زده می‌شود؟

- (۱)  $۱۱/۲۵$       (۲) ۱۵      (۳) ۲۰      (۴)  $۲۲/۵$

۱۲۹- برای یک سیستم زهکشی نمودار زیر ارائه شده است. عمق معادل چند متر است؟



۱۳۰- اگر سهم جریان ورودی به زهکش از بالای تراز زهکش‌ها و زیر تراز زهکش‌ها به ترتیب ۲۵ و ۷۵ درصد کل جریان ورودی به زهکش باشد، بین عمق معادل (d) و بار هیدرولیکی در وسط دو زهکش (h) کدام رابطه برقرار است؟

- (۱)  $h = ۱/۵ d$       (۲)  $d = ۱/۵ h$       (۳)  $h = ۰/۷۵ d$       (۴)  $d = ۰/۷۵ h$

## هیدرولوژی:

۱۳۱- ویژگی داده پرت در هیدرولوژی آماری کدام است؟

- (۱) مقدار قابل توجه و به صورت معنی داری از بقیه داده‌ها فاصله داشته باشد و صحیح ثبت شده باشد.
- (۲) مقدار قابل توجه و به صورت معنی داری از بقیه داده‌ها فاصله داشته باشد و اشتباه ثبت شده باشد.
- (۳) مقدار قابل توجه و به صورت معنی داری از بقیه داده‌ها فاصله داشته باشد، چه صحیح یا اشتباه ثبت شده باشد.
- (۴) مقدار قابل توجه از بقیه داده‌ها فاصله داشته باشد، چه صحیح یا اشتباه ثبت شده باشد.

۱۳۲- معروف ترین فرمول ترسیم موقعیت داده‌ها در تحلیل فراوانی سیل برای دوره بازگشت کدام است؟

(n تعداد داده‌ها و m شماره ردیف است.)

$$(1) \quad m/(n+1) \quad (2) \quad (n+1)/m$$

$$(3) \quad n + (1/m) \quad (4) \quad (m/n) + 1$$

۱۳۳- اگر در یک حوضه نوع خاک از جنس شنی باشد، به کدام گروه هیدرولوژیکی مربوط می‌شود؟

- (۱) A      (۲) B      (۳) C      (۴) D

۱۳۴- یک مهندس می‌خواهد برای خروجی یک زهکش، کالورتی طراحی کند. میزان ریسک‌پذیری ۱۹ درصد برای

سیلاب با دوره بازگشت ۲ سال مجاز است. طراح باید کدام دوره بازگشت را در نظر بگیرد؟

- (۱) ۱      (۲) ۲      (۳) ۵      (۴) ۱۰

۱۳۵- کلاس کیفیت آب رودخانه‌ای S۱-C۲ گزارش شده است. آنالیز کیفیت آب این رودخانه با کدام روش انجام شده

است؟

- (۱) آنالیز ایزوتوپی آب      (۲) دیاگرام پایپر      (۳) دیاگرام ویلکوکس      (۴) دیاگرام شولر

۱۳۶- هدف اولیه تحلیل فراوانی سیل، کدام است؟

- (۱) ارتباط دادن بزرگی حوادث حدی به فراوانی وقوع      (۲) ارتباط دادن بزرگی حوادث حدی به زمان وقوع  
(۳) ارتباط دادن کوچکی حوادث حدی به فراوانی وقوع      (۴) ارتباط دادن کوچکی حوادث حدی به زمان وقوع

۱۳۷- اگر باران روی پوشش جنگلی خوب با نفوذپذیری بالا ببارد، شماره منحنی آن به کدام مورد نزدیک تر است؟

- (۱) ۲۵      (۲) ۵۰      (۳) ۷۵      (۴) ۹۵

۱۳۸- در هیدروگرافی، حاصل از ۴ ساعت بارندگی روی یک حوضه ۶ سانتی‌متر رواناب حاصل شده است. برای ساخت

هیدروگراف واحد ۴ ساعته این به حوضه باید ابعاد هیدروگراف را .....

- (۱) در ۴ ضرب کنیم.      (۲) بر ۴ تقسیم کنیم.      (۳) در ۶ ضرب کنیم.      (۴) بر ۶ تقسیم کنیم.

۱۳۹- تحلیل آبدهی متوسط رودخانه توسط کدام مورد انجام می‌شود؟

- (۱) هیدروگراف      (۲) منحنی تداوم جریان  
(۳) منحنی شدت - مدت - فراوانی      (۴) منحنی عمق - مدت - مساحت

۱۴۰- منحنی دبی - اشل در مقیاس ..... ترسیم می‌شود و روند این منحنی ..... است و منحنی سنج رسوب

در مقیاس ..... ترسیم می‌شود و روند این منحنی ..... است.

(۱) نرمال - نرمال، نزولی، لگاریتمی - لگاریتمی، صعودی

(۲) نرمال - نرمال، صعودی، لگاریتمی - لگاریتمی، صعودی

(۳) نرمال - لگاریتمی، نزولی، لگاریتمی - نرمال، نزولی

(۴) لگاریتمی - نرمال، صعودی، لگاریتمی - لگاریتمی، نزولی



۱۴۱- در دو حوضه آبریز با مساحت یکسان، وضعیت پارامترهای شماره منحنی، تلفات اولیه، زمان تأخیر در حوضه آبریزی که پوشش گیاهی بیشتری دارد نسبت به حوضه آبریز با پوشش گیاهی کمتر، به ترتیب کدام است؟

- (۱) بیشتر - بیشتر - کمتر  
 (۲) کمتر - بیشتر - کمتر  
 (۳) کمتر - بیشتر - بیشتر  
 (۴) کمتر - کمتر - بیشتر

۱۴۲- کدام مورد جزو اطلاعات مورد نیاز برای ترسیم هیدروگراف واحد مصنوعی شنايدر است؟

- (۱) زمان اوج سیلاب، زمان بارندگی، دبی پایه، دبی اوج سیلاب  
 (۲) زمان تأخیر، زمان تمرکز، دبی در عرض‌های ۲۵ و ۷۵ درصد دبی اوج  
 (۳) زمان تمرکز، زمان اوج دبی سیلاب، دبی در عرض‌های ۵۰ و ۷۵ درصد دبی اوج  
 (۴) زمان بارندگی، زمان پایه سیلاب، دبی اوج، دبی در عرض ۵۰ درصد دبی اوج

۱۴۳- یک کانال دارای طول ۸۰ کیلومتر و عرض متوسط ۱۵ متر است. اگر مقدار تبخیر از تشت کلاس A با ضریب ۰/۷ برابر ۰/۵ سانتی‌متر در روز باشد، حجم آب تبخیر شده در این بازه رودخانه در یک ماه چند مترمکعب است؟

- (۱) ۱۲/۶۰۰۰  
 (۲) ۱۸/۰۰۰۰  
 (۳) ۱۸۰/۰۰۰۰  
 (۴) ۱۲۶/۰۰۰۰

۱۴۴- اگر معادله نفوذ تجمعی یک خاک به صورت  $I = 5t^{0.7} + 1/5$  باشد، معادله سرعت نفوذ کدام است؟

- (۱)  $3/5t^{0.3}$   
 (۲)  $3/5t^{-0.3}$   
 (۳)  $5t^{0.7}$   
 (۴)  $5t^{-0.7}$

۱۴۵- در یک حوضه، ارتفاع بارش چهار ساعته ۸۰ میلی‌متر و جریان سطحی حاصل از آن ۲۰ میلی‌متر است. شاخص  $\phi$  چند میلی‌متر است؟

- (۱) ۵  
 (۲) ۱۰  
 (۳) ۱۵  
 (۴) ۲۰

۱۴۶- در استخراج هیدروگراف واحد به روش SCS، اگر  $CN = 55$  باشد، ضریب نگهداشت حوضه چند میلی‌متر است؟

- (۱) ۸/۲  
 (۲) ۲۰/۸  
 (۳) ۸۲  
 (۴) ۲۰۸

۱۴۷- دقت منحنی‌های همبارش در کدام حوضه آبریز بیشتر است؟

- (۱) طبیعی مسطح  
 (۲) مناطق شیب‌دار  
 (۳) فاقد ایستگاه  
 (۴) مناطق شهری کم‌شیب

۱۴۸- روش‌های کنترل کیفیت آمارهای بارش کدام است؟

- (۱) آزمون توالی و جرم مضاعف  
 (۲) آزمون توالی و محور مختصات  
 (۳) محور مختصات و نسبت نرمال  
 (۴) نسبت نرمال و همبستگی

۱۴۹- اگر فاصله زمانی از شروع بارش اضافی تا نقطه عطف هیدروگراف برابر  $t_i$ ، زمان تداوم بارش مازاد برابر  $t_d$ ، زمان تمرکز حوضه برابر  $t_c$  و زمان تأخیر برابر  $t_1$  باشد، کدام درست است؟

- (۱)  $t_i = t_1 + t_d$   
 (۲)  $t_i = t_c + t_d$   
 (۳)  $t_i = t_1 + \frac{t_d}{2}$   
 (۴)  $t_i = t_c + \frac{t_d}{2}$

۱۵۰- در سری داده‌های سیلاب که توزیع چگالی احتمال آن چوله به راست است، کدام ترتیب آماره‌ها از سمت راست درست است؟

- (۱) مد - میانگین - میانه  
 (۲) مد - میانه - میانگین  
 (۳) میانه - میانگین - مد  
 (۴) میانه - مد - میانگین

مکانیک خاک:

۱۵۱- از قرضه‌ای ۱۰۰۰ مترمکعب خاک با نسبت تخلخل  $e = ۱$  برداشت شده است، چند مترمکعب خاک ریز با نسبت تخلخل  $e = ۰٫۶$  با این خاک قرضه می‌توان ساخت؟

- (۱) ۶۰۰
- (۲) ۷۰۰
- (۳) ۷۵۰
- (۴) ۸۰۰

۱۵۲- در آزمایش دانه‌بندی ضریب یکنواختی ۹ برابر ضریب دانه‌بندی است، در این صورت نسبت  $\frac{D_{60}}{D_{30}}$  کدام است؟

- (۱)  $\frac{۱}{۳}$
- (۲) ۳
- (۳) ۲٫۵
- (۴) ۵

۱۵۳- در آزمایش حد انقباض، حجم ظرف ۱۹ سانتی‌مترمکعب و خاک اشباعی به جرم ۴۰ گرم در آن قرار گرفته است، این خاک پس از خشک شدن به حجم ۱۵ سانتی‌مترمکعب و جرم ۳۰ گرم تقلیل پیدا می‌کند، درصد رطوبت حد انقباض این خاک کدام است؟

- (۱) ۱۷
- (۲) ۱۹
- (۳) ۲۰
- (۴) ۲۲

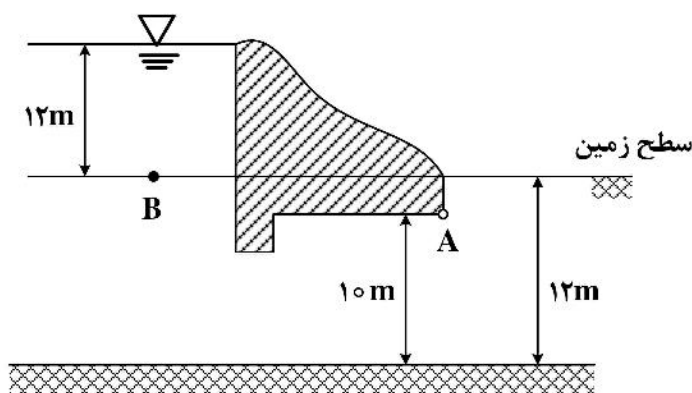
۱۵۴- در نمونه‌ی خاکی وزن قسمت جامد آن معادل ۸۰ گرم و وزن آب آن ۲۰ گرم است، اگر حجم کل خاک برابر با ۶۰ و حجم قسمت جامد آن معادل ۳۰ سانتی‌مترمکعب باشد، کدام درست است؟

- (۱) درصد رطوبت ۲۰ درصد است.
- (۲) نسبت تخلخل ۰٫۵ است.
- (۳) درصد اشباع ۱۳۳ درصد است.
- (۴) دانسیته‌ی خاک ۱٫۶۶ گرم بر سانتی‌مترمکعب است.

۱۵۵- اگر ۶۰ درصد خاکی بین الک ۴ تا الک ۲۰۰ بماند و ۷ درصد آن در ظرف زیر الک‌ها (Pan) قرار بگیرد، کدام طبقه‌بندی می‌تواند معرف این خاک باشد؟

- (۱) SW-SC
- (۲) CL-ML
- (۳) SP
- (۴) GM

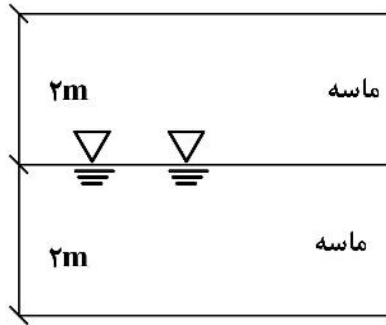
۱۵۶- در سازه‌ی بتنی سد زیر میزان افت پتانسیل کل در نقطه‌ی A نسبت به B برابر با ۱۰ متر است، فشار حفره‌ای در نقطه‌ی



A چند کیلوپاسکال است؟  $\gamma_w = ۱۰ \frac{kN}{m^3}$

- (۱) ۳۰
- (۲) ۴۰
- (۳) ۶۰
- (۴) ۱۰۰

۱۵۷- تنش مؤثر در عمق ۴ متری در لایه خاک نشان داده شده زیر چند کیلوپاسکال است؟



$$\gamma_{sat} = 20 \frac{kN}{m^3}$$

$$\gamma_m = 16 \frac{kN}{m^3}$$

$$\gamma_w = 10 \frac{kN}{m^3}$$

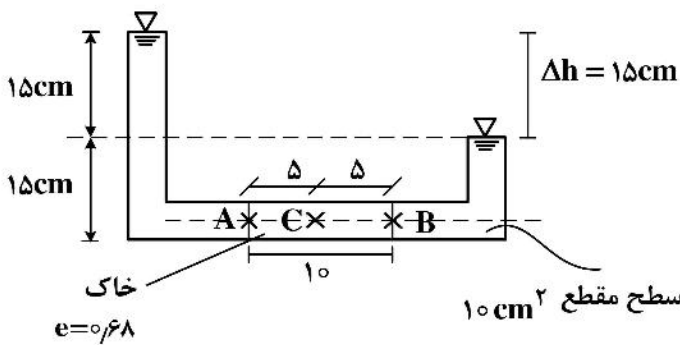
(۱) صفر

(۲) ۴۲

(۳) ۵۲

(۴) ۵۹

۱۵۸- با توجه به شکل زیر مقدار هد فشار در نقطه C چند سانتی متر است؟



(۱) ۷/۵

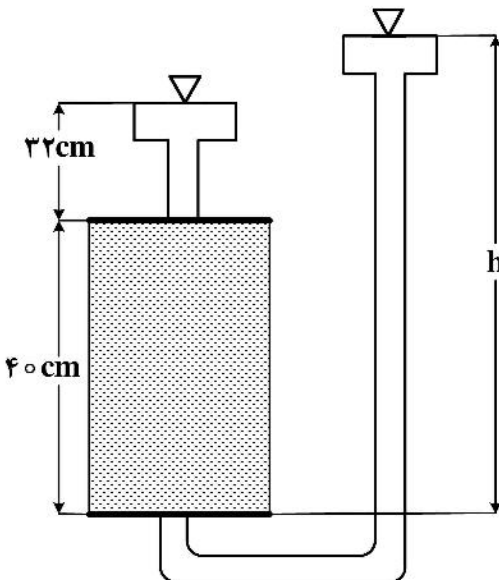
(۲) ۱۵

(۳) ۳۰

(۴) ۲۲/۵

۱۵۹- اگر خاک زیر دارای وزن مخصوص اشباعی برابر با ۲۰ کیلونیوتن بر مترمکعب باشد، مقدار h باید حداقل چند متر

باشد تا خاک شروع به جوشیدن کند؟



(۱) ۰/۴

(۲) ۰/۷۲

(۳) ۱/۱۲

(۴) ۱/۴۴

۱۶۰- مقدار تنش مؤثر در یک المان خاک در عمق ۵ متری زیر بستر یک رودخانه هنگامی که ارتفاع آب در رودخانه

۷ متر است برابر ۵۰ کیلوپاسکال است، اگر عمق آب در رودخانه به ۳/۵ متر تقلیل یابد، مقدار تنش مؤثر در

المان چند کیلوپاسکال است؟

(۱) ۱۵

(۲) ۵۰

(۳) ۸۵

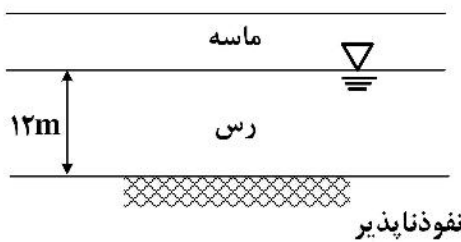
(۴) ۱۲۰



۱۶۱- اگر بر یک پی مستطیلی شکل به ابعاد  $3 \times 4$  مترمربع بار یکنواختی به شدت  $40$  کیلوپاسکال وارد شود، مقدار این بار وارده در عمق  $5$  متری چند کیلوپاسکال است؟ (روش تقریب را استفاده نمایید.)

- (۱)  $4/4$       (۲)  $5/9$   
 (۳)  $6/6$       (۴)  $7/8$

۱۶۲- زمان (سال) لازم برای آنکه  $0.25$  متر نشست برای خاک رس اشباع نشان داده شده  $C_v = 1/97$  مترمربع بر سال رخ دهد، چقدر است؟ (اگر نشست نهایی تحکیمی اولیه برابر با  $0.5m$  باشد.)

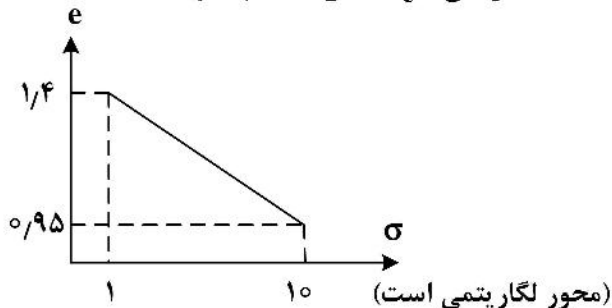


$$T_{50} = 0.197$$

$$T_{90} = 0.848$$

- (۱) ۱۲  
 (۲)  $14/4$   
 (۳) ۲۴  
 (۴) ۱۴۴

۱۶۳- منحنی تحکیم یک نوع خاک رس مطابق شکل زیر است. نشانه فشردگی ( $C_c$ ) این خاک چقدر است؟



- (۱)  $0.05$   
 (۲)  $0.3$   
 (۳)  $0.45$   
 (۴)  $0.95$

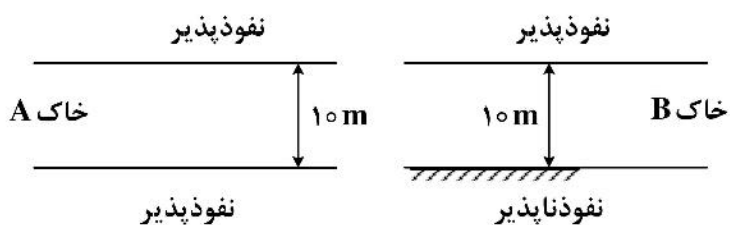
۱۶۴- بر روی یک لایه رس اشباع به ضخامت  $15$  متر بار گسترده‌ای به میزان  $50$  کیلوپاسکال وارد می‌شود، اگر ضریب تراکم پذیری حجمی خاک  $M_v = 0.2 \frac{m^2}{MN}$  باشد، میزان نشست تحکیمی چند سانتی‌متر است؟

- (۱) ۸      (۲) ۱۵  
 (۳) ۸۰      (۴) ۱۵۰

۱۶۵- بار گسترده و یکنواختی معادل  $100$  کیلوپاسکال به‌طور آبی به سطح زمین وارد می‌شود، پس از مدت زمان  $5$  سال نشست ناشی از تحکیم لایه رس  $5$  سانتی‌متر است. اگر مقدار نشست نهایی برابر  $10$  سانتی‌متر باشد، پس از  $5$  سال مازاد فشار حفره‌ای در وسط لایه رس چند کیلوپاسکال است؟

- (۱) ۵۰      (۲) ۱۰۰  
 (۳) ۲۵      (۴) ۷۰

۱۶۶- دو لایه رس با خصوصیات تحکیمی یکسان با شرایط متفاوت مطابق شکل زیر مفروض است، زمان لازم برای رسیدن به  $80$  درصد تحکیم در لایه A چند برابر لایه B است؟



- (۱)  $0.25$   
 (۲)  $0.75$   
 (۳)  $0.5$   
 (۴) ۱

۱۶۷- نمونه‌ای از یک ماسه‌ای، دارای  $\phi = 30^\circ$  درجه است، در آزمایش سه‌محوری CU (تحکیم‌یافته - زهکشی نشده) برای نمونه‌ای از این خاک تحت  $\sigma_3 = 100$  کیلوپاسکال قرار می‌گیرد و در لحظه گسیختگی  $\sigma_1 - \sigma_3 = 100$  کیلوپاسکال است، فشار حفره‌ای در لحظه گسیختگی معادل چند کیلوپاسکال است؟

$$\sin 30^\circ = 0.5$$

$$\sin 60^\circ \cong 0.85$$

(۱) ۵۰

(۲) ۱۰۰

(۳) ۱۲۰

(۴) ۱۵۰

۱۶۸- در آزمایش سه‌محوری استاندارد تحکیم‌نیافته زهکشی‌نشده (UU) بر روی نمونه‌ای از رس اشباع، تنش فشاری محفظه‌ای  $\sigma_3 = 100$  کیلوپاسکال است، نمونه خاک رس بر اثر تنش انحرافی  $(\sigma_1 - \sigma_3)$ ،  $\sigma_d = 200$  کیلوپاسکال به گسیختگی می‌رسد. کدام درست است؟

$$C_u = 0 \text{ kPa}, \sigma_1 = 0 \text{ kPa} \quad (2)$$

$$C_u = 0 \text{ kPa}, \sigma_1 = 100 \text{ kPa} \quad (1)$$

$$C_u = 100 \text{ kPa}, \sigma_1 = 300 \text{ kPa} \quad (4)$$

$$C_u = 100 \text{ kPa}, \sigma_1 = 200 \text{ kPa} \quad (3)$$

۱۶۹- زاویه اصطکاک داخلی یک ماسه خشک  $45^\circ$  درجه است، در آزمایش برش مستقیم نمونه‌ای از این ماسه که بار  $200$  کیلوپاسکال به آن وارد می‌شود تحت نیروی برشی قرار دارد، ابعاد نمونه  $5 \times 5$  سانتی‌متر و ارتفاع  $3$  سانتی‌متر است. مقدار نیروی برشی در لحظه گسیختگی چند نیوتن است؟

$$\sin 45^\circ \cong 0.7$$

$$\tan 45^\circ = 1$$

(۲) ۵۵۰

(۱) ۵۰۰

(۴) ۴۵۰

(۳) ۶۰۰

۱۷۰- نمونه خاک رس عادی تحکیم‌یافته در آزمایش CD تحت فشار همه جانبه  $200$  کیلوپاسکال و تنش تفاضلی  $(\sigma_1 - \sigma_3) = 200$  کیلوپاسکال به گسیختگی می‌رسد، اگر نمونه‌ای از همین خاک در آزمایش CD دیگری تحت فشار همه جانبه  $250$  کیلوپاسکال قرار گیرد، تنش اصلی  $\sigma_1$  در گسیختگی برابر چند کیلوپاسکال است؟

(۲) ۴۵۰

(۱) ۲۵۰

(۴) ۵۰۰

(۳) ۷۵۰

### ساختمان‌های انتقال و توزیع آب:

۱۷۱- کدام مورد درباره ضریب زبری مانینگ، درست است؟

(۱) در پوشش‌های بتنی، با بزرگ شدن شعاع هیدرولیکی کاهش می‌یابد.

(۲) در پوشش‌های بتنی، با بزرگ شدن شعاع هیدرولیکی افزایش می‌یابد.

(۳) در سرعت و ارتفاع پوشش گیاهی کم، کاهش می‌یابد.

(۴) در سرعت زیاد و عمق بیشتر آب، افزایش می‌یابد.

۱۷۲- حداکثر سرعت مجاز در کانال‌های بتنی ..... متر بر ثانیه و حداکثر عدد فرود ..... توصیه می‌شوند.  
(به ترتیب از راست به چپ)

- |                |                |
|----------------|----------------|
| (۱) ۰/۸۵ - ۱/۵ | (۲) ۱/۵ - ۱/۰  |
| (۳) ۰/۹۵ - ۲/۵ | (۴) ۰/۸۵ - ۲/۵ |

۱۷۳- حداکثر دبی سیلابی عبوری از یک آبراهه طبیعی، ۴۰۰ مترمکعب در ثانیه است. محیط خیس شده این آبراهه در شرایط عبور حداکثر دبی، بر حسب متر کدام است؟

- |        |        |        |         |
|--------|--------|--------|---------|
| (۱) ۸۵ | (۲) ۹۰ | (۳) ۹۵ | (۴) ۱۰۰ |
|--------|--------|--------|---------|

۱۷۴- کدام سازه‌های آبی، سطح آب را به‌طور خودکار کنترل نمی‌کنند؟

- |                     |                    |
|---------------------|--------------------|
| (۱) دریچه‌های قطاعی | (۲) دریچه‌های آمیل |
| (۳) دریچه‌های آویز  | (۴) سرریزهای ثابت  |

۱۷۵- در طراحی تبدیل بتنی که یک کانال دوزنقه‌ای را به یک مجرای لوله‌ای شکل متصل می‌کند، دبی کانال ۴/۷ مترمکعب در ثانیه است. عرض کف این تبدیل در محل اتصال به مجرای لوله‌ای شکل بر حسب مترمکعب، کدام است؟

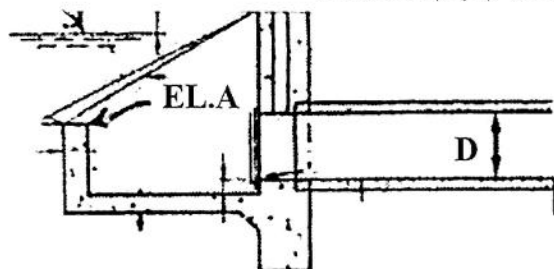
- |         |         |
|---------|---------|
| (۱) ۰/۵ | (۲) ۰/۶ |
| (۳) ۱   | (۴) ۲   |

۱۷۶- با توجه به اطلاعات زیر، دبی طراحی کانال حدوداً چند مترمکعب در ثانیه است؟

- |                                 |             |
|---------------------------------|-------------|
| نیاز خالص آبیاری ده روزه        | ۹۰ میلی‌متر |
| مساحت شبکه                      | ۱۰۰۰ هکتار  |
| راندمان آبیاری کل               | ۴۰ درصد     |
| نیاز آبشویی                     | ۷۰ درصد     |
| ضریب انعطاف‌پذیری               | ۱           |
| تعداد ساعات آبیاری در شبانه‌روز | ۱۲/۵ ساعت   |

- |        |        |        |        |
|--------|--------|--------|--------|
| (۱) ۳۲ | (۲) ۲۴ | (۳) ۱۷ | (۴) ۱۵ |
|--------|--------|--------|--------|

۱۷۷- ارتفاع آب در نقطه A واقع در دیواره ورودی یک دهانه آبیگیر که جریان آب را از یک کانال درجه ۳ به یک کانال درجه ۴ منتقل می‌کند، ۳۰/۵ سانتی‌متر است. اگر قطر لوله آبیگیر ۶۱ سانتی‌متر باشد، عرض دهانه آبیگیر (سانتی‌متر) و دبی جریان (لیتر بر ثانیه) آب به ترتیب از راست به چپ چقدر است؟



- |                |                 |
|----------------|-----------------|
| (۱) ۱۸۹ و ۶۱   | (۲) ۲۳۶ و ۷۶/۲۵ |
| (۳) ۱۸۹ و ۹۱/۵ | (۴) ۲۸۳ و ۹۱/۵  |

۱۷۸- اگر دبی عبوری از روی سرریز یک سد انحرافی از دبی طراحی یکصد ساله برابر ۱۰۰۰ مترمکعب در ثانیه بیشتر نشود، برای نسبت‌های بزرگ ارتفاع سد به بار آبی کل، حداکثر ضریب جریان عبوری از روی این سرریز در سیستم متریک کدام است؟

- |          |          |
|----------|----------|
| (۱) ۱/۷  | (۲) ۲/۱۸ |
| (۳) ۲/۲۵ | (۴) ۲/۳۲ |

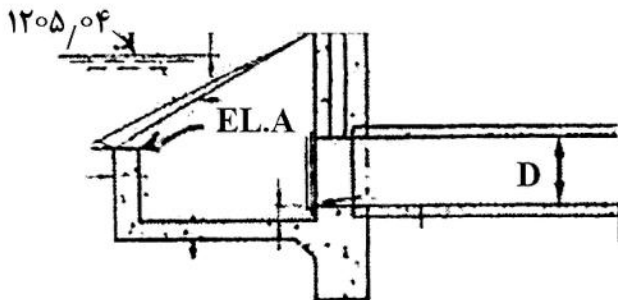


۱۷۹- مقدار بارندگی ماهیانه در طول یک دوره آماری ده ساله در یک منطقه به شرح زیر است. احتمال بارندگی ۷۵ درصد در کدام محدوده است؟

سال									
۷۹	۷۸	۷۷	۷۶	۷۵	۷۴	۷۳	۷۲	۷۱	۷۰
۴۸	۳۵	۹۰	۸۱	۲۸	۵۵	۶۲	۶۰	۷۰	۳۴

- (۱) ۳۵-۳۱  
 (۲) ۴۵-۴۱  
 (۳) ۵۰-۴۶  
 (۴) ۵۵-۵۱

۱۸۰- اگر ارتفاع کف دهانه آبیگر که آب را توسط یک تبدیل بتنی به کانال پایین دست منتقل می کند،  $۱۲ \times ۳/۸$  متر و ارتفاع سطح آب در کانال بالادست،  $۱۲ \times ۵/۰۴$  متر باشد، عرض دهانه آبیگر و رقوم ابتدای لوله متصل به دهانه آبیگر به ترتیب چند متر است؟



- (۱)  $۱۲ \times ۳/۹$   
 (۲)  $۱۲ \times ۳/۸$   
 (۳)  $۱۲ \times ۳/۹$   
 (۴)  $۱۲ \times ۳/۸$

۱۸۱- در سازه تندآب، کدام مورد از دلایل تشکیل جریان یا امواج عرضی نیست؟

- (۱) تبدیل ناگهانی شکل مقطع  
 (۲) دبی واحد عرض زیاد  
 (۳) سازه‌های نامتقارن  
 (۴) قوس‌ها یا زاویه در مسیر

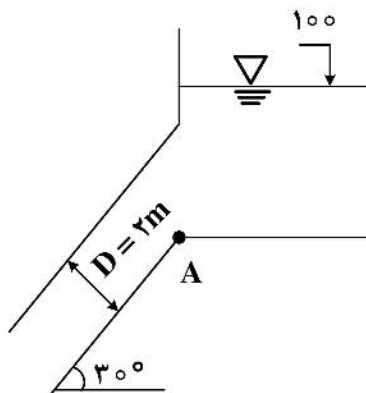
۱۸۲- اگر رقوم خط انرژی در بالادست یک شیب‌شکن لوله‌ای نوع اول ۱۰۰۰ متر و اختلاف رقوم خط انرژی در بالادست و پایین دست شیب‌شکن، ۲ متر و عمق ثانویه پرش آب و بار سرعت آب در آن (پرش) به ترتیب ۱ متر و  $۰/۲۵$  متر باشد، حداقل طول قسمت افقی و رقوم کف آن به ترتیب از راست به چپ چند متر است؟

- (۱) ۹۹۷٫۳  
 (۲) ۹۹۷٫۷۵ ، ۴  
 (۳) ۹۹۶٫۷۵ ، ۴  
 (۴) ۹۹۶٫۷۵ ، ۵

۱۸۳- در کدام مقطع، امکان تشکیل موج در سازه تندآب وجود ندارد؟

- (۱) سهمی شکل و کم عمق  
 (۲) کم عمق بشقابی شکل  
 (۳) عمیق و باریک  
 (۴) مثلثی شکل

۱۸۴- در خروجی یک سیفون معکوس مطابق شکل زیر، رقوم سطح آب، ۱۰۰ متر بالاتر نسبت به رقوم مبنا است. اگر سرعت آب در لوله،  $۱/۵$  متر در ثانیه باشد، با در نظر گرفتن حداکثر استغراق مجاز، رقوم نقطه A کدام است؟



- (۱) ۹۷٫۳  
 (۲) ۹۷٫۶  
 (۳) ۹۷٫۷  
 (۴) ۹۸٫۰

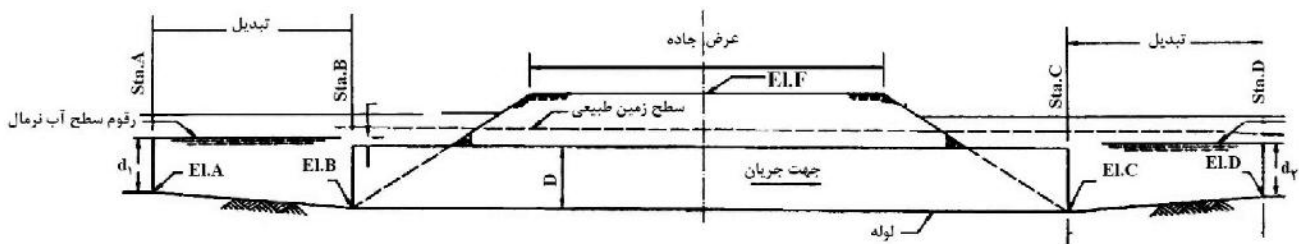
۱۸۵- در شیب‌شکن مستطیلی مایل، عرض کف حوضچه آرامش ۱ متر است. اگر دبی در واحد عرض حوضچه آرامش  $\frac{3}{2}$  مترمربع بر ثانیه باشد، سرعت جریان آب عبوری این شیب‌شکن در مقطع عمق بحرانی چند متر بر ثانیه

است؟  $\left( g = 10 \frac{m}{s^2} \right)$

- (۱) ۱  
(۲)  $\frac{2}{3}$   
(۳) ۳  
(۴)  $\frac{3}{2}$

۱۸۶- اگر قطر لوله یک گذرگاه جاده  $\frac{1}{2}$  متر، طول آن ۳۰ متر و رقوم انتهایی لوله (E.L.C) برابر با ۹۹۵ متر باشد،

ارتفاع سطح آب کانال در بالادست گذرگاه، چند متر است؟  $\left( g = 10 \frac{m}{s^2} \right)$



- (۱) ۹۹۶/۲  
(۲) ۹۹۶/۳  
(۳) ۹۹۶/۴  
(۴) ۹۹۶/۵

۱۸۷- در طراحی یک شیب‌شکن مایل مستطیلی، حداکثر دبی عبوری ۴۹ فوت مکعب در ثانیه است. عرض کف این شیب‌شکن بر حسب فوت، کدام است؟

- (۱) ۵  
(۲) ۵/۵  
(۳) ۶/۳  
(۴) ۸

۱۸۸- در کدام یک از ساختمان‌های آبرگیری، به نصب سازه اندازه‌گیری در پایین‌دست آن ساختمان برای تعیین مقدار دبی عبوری نیاز است؟

- (۱) آبرگیر روزنه با بار آبی ثابت  
(۲) آبرگیر با دریچه کشویی ساده

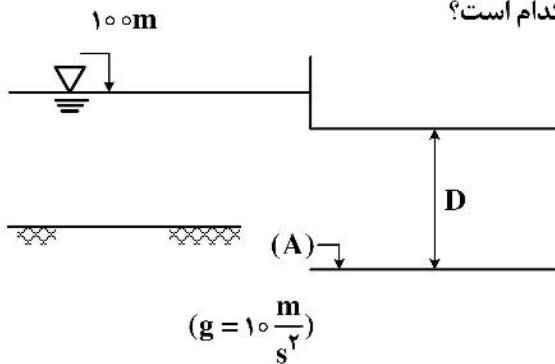
- (۳) آبرگیر مدول نیرپیک در شرایط استاندارد با یک تیغه  
(۴) آبرگیر مدول نیرپیک در شرایط استاندارد با دو تیغه

۱۸۹- در کانال‌های خاکی مقدار Z در خاکریزها ..... از مقدار آن در خاکبرداری‌ها است. در کانال‌های پوشش‌دار، شیب کانال به گونه‌ای در نظر گرفته می‌شود که پوشش بر روی شیبی معادل یا ..... از زاویه اصطکاک داخلی خاک طبیعی قرار گیرد، به طوری که هیچ‌گونه فشار جانبی از طرف خاک به پوشش وارد نشود.



- (۱) بیشتر - بیشتر  
(۲) بیشتر - کمتر  
(۳) کمتر - بیشتر  
(۴) کمتر - کمتر

۱۹۰- در طراحی یک ساختمان تقاطع با جاده، از تبدیل خاکی در ورودی استفاده شده است. اگر دبی طراحی ۳/۱۴ مترمکعب در ثانیه باشد، با توجه به شکل زیر، رقوم نقطه A بر حسب متر کدام است؟



(۱) ۹۷/۹۲

(۲) ۹۸

(۳) ۹۷/۹۵

(۴) ۹۷/۸۰

$$(g = 10 \frac{m}{s^2})$$

هیدرولوژی آب‌های سطحی و زیرزمینی:

۱۹۱- ضخامت یک آبخوان محصور برابر با ۵۰ متر، قابلیت انتقال و ذخیره ویژه آن به ترتیب ۰/۰۲ مترمربع بر ثانیه و ۰/۰۰۰۸ بر متر است. هدایت هیدرولیکی و ضریب ذخیره آن به ترتیب چقدر است؟

(۱) ۰/۰۰۰۴ متر بر روز، ۰/۰۰۰۴ m

(۲) ۰/۰۰۰۴ متر بر روز، ۰/۰۰۰۴

(۳) ۳۴/۶ متر بر روز،  $0.0004 m^{-1}$

(۴) ۳۴/۶ متر بر روز، ۰/۰۰۰۴

۱۹۲- در آبخوانی که متوسط قطر مواد تشکیل دهنده آن ۲ میلی‌متر، تخلخل آن ۰/۲۵، لزوجت دینامیکی آب برابر با ۰/۰۰۱۴ کیلوگرم بر ثانیه - متر، سرعت حقیقی آب برابر با ۲ سانتی‌متر بر ثانیه است، عدد رینولدز برابر کدام است؟

(۱) ۰/۷۱۴

(۲) ۷/۱۴

(۳) ۷۱۴

(۴) ۷۱۴۳

۱۹۳- در منطقه‌ای به وسعت ۱۰۰ هکتار، سطح آب زیرزمینی ۵ متر افت پیدا کرده است. اگر تخلخل مواد تشکیل دهنده آن ۲۰ درصد و نگهداشت مخصوص ۱۰ درصد باشد، مقادیر آبدهی مخصوص و تغییرات حجم ذخیره آب زیرزمینی در لایه آبدار آن منطقه به ترتیب از راست به چپ چند درصد و مترمکعب است؟

(۱) ۱۰ و ۵۰

(۲) ۲۰ و ۱۰۰

(۳) ۱۰ و ۵۰۰/۰۰۰

(۴) ۲۰ و ۱/۰۰۰/۰۰۰

۱۹۴- در لایه آبداری هدایت هیدرولیکی k برابر با ۸ سانتی‌متر بر ساعت است. اگر سرعت داری در این لایه ۰/۰۵ سانتی‌متر بر دقیقه باشد، شیب هیدرولیکی در هر نقطه از این لایه آبدار کدام است؟

(۱) ۰/۰۰۶۲۵

(۲) -۰/۳۷۵

(۳) -۰/۰۰۶۲۵

(۴) ۰/۳۷۵

۱۹۵- کدام در مورد شعاع تأثیر یک چاه پمپاژی درون آبخوان آزاد درست است؟

(۱) با میزان تغذیه آبخوان رابطه عکس دارد.

(۲) با افت سطح ایستابی رابطه عکس دارد.

(۳) تنها تابع نرخ پمپاژ است.

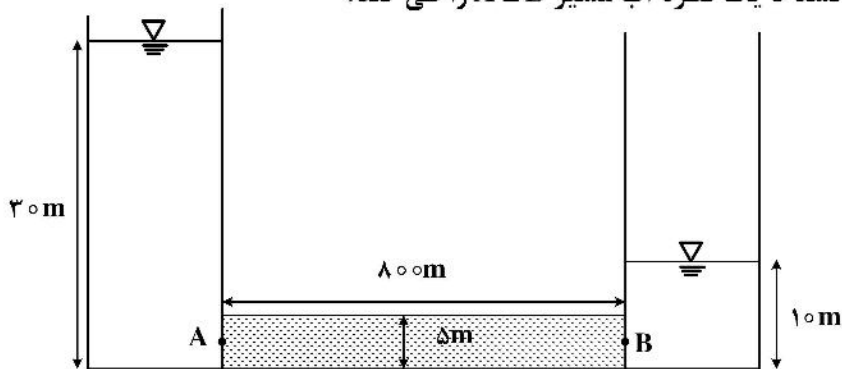
(۴) با مقدار کل جریان وارد شده به درون چاه رابطه عکس دارد.



۱۹۶- یک جبهه آب زیرزمینی به طول ۸۰۰ متر با شیب پیزومتريک  $0.002$  از آبخوان تحت فشار A به ضخامت ۵۰ متر وارد آبخوان B به ضخامت ۴۰ متر و هدایت هیدرولیکی ۲۵ متر بر روز می‌شود. در طی یک روز چند مترمکعب آب وارد آبخوان B می‌شود؟

- (۱) ۱۲۰۰  
(۲) ۱۶۰۰  
(۳) ۲۰۰۰  
(۴) ۳۲۰۰

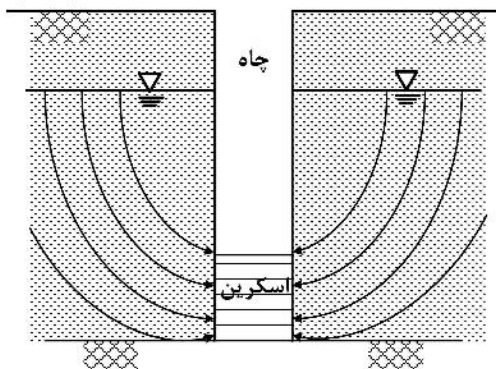
۱۹۷- بین دو مخزن آب زیر یک سیلندر محتوی یک محیط متخلخل با هدایت هیدرولیکی ۲۰ متر بر روز و تخلخل ۳۰ درصد قرار دارد. چند روز طول می‌کشد تا یک قطره آب مسیر A - B را طی کند؟



- (۱) ۱۵۴۰  
(۲) ۹۶۰  
(۳) ۴۸۰  
(۴) ۲۴۰

۱۹۸- شکل زیر خطوط جریان را از اطراف یک چاه پمپاژی که درون آبخوان آزاد به طور کامل نفوذ کرده را نشان می‌دهد،

سطح زمین



سطح ایستایی اولیه

خطوط  
جریان

خطوط جریان مربوط به کدام است؟

- (۱) زمان اولیه پمپاژ  
(۲) زمان طولانی پمپاژ  
(۳) زمان قطع پمپاژ طولانی است.  
(۴) پمپاژ طولانی و تغذیه از سطح است.

۱۹۹- کدام مورد درباره حل معادله غیر تعادلی جریان آب زیرزمینی در آبخوان تحت فشار به روش انطباقی تایس درست است؟

- (۱)  $\frac{t}{r^2}$  در مقابل  $\frac{1}{s}$  و  $\frac{r^2 s}{4Tt}$  در مقابل  $u$  رسم می‌شود.  
(۲)  $r^2 t$  در مقابل  $\frac{1}{s}$  و  $\frac{r^2 s}{4Tt}$  در مقابل  $W(u)$  رسم می‌شود.  
(۳)  $\frac{r^2}{s}$  در مقابل  $s$  و  $\frac{r^2 s}{4Tt}$  در مقابل  $u$  رسم می‌شود.  
(۴)  $\frac{r^2}{t}$  در مقابل  $s$  و  $\frac{r^2 s}{4Tt}$  در مقابل  $W(u)$  رسم می‌شود.

۲۰۰- درآبخوان آزاد با مساحت ۱۰ کیلومتر مربع، آبدهی ویژه برابر با  $۰/۱۵$  است. در اثر بارندگی سالیانه، ۱۰۰ سانتی متر به سطح ایستابی اضافه شده است. در اثر این افزایش سطح ایستابی، مجوز صدور حفر چند چاه با میانگین آبدهی ۳۶ مترمکعب در ساعت، ۱۰ ساعت پمپاژ و ۱۰۰ روزکاری در سال امکان پذیر است؟

(۱) ۴

(۲) ۴۲

(۳) ۴۱۶

(۴) ۴۱

۲۰۱- حجم رواناب سالانه یک حوضه به مساحت ۵۰۰ کیلومتر مربع برابر ۱۵۰ میلیون مترمکعب است. اگر بارش سالانه این حوضه ۷۵۰ میلی متر باشد، ضریب رواناب این حوضه چقدر است؟

(۱)  $۰/۲۰$

(۲)  $۰/۴۰$

(۳)  $۰/۵۰$

(۴)  $۰/۶۷$

۲۰۲- کدام نیروی جاذبه باعث ایجاد جزر و مد و جریان های دریایی می شود؟

(۱) خورشید و ماه (۲) خورشید (۳) زمین (۴) ماه

۲۰۳- کدام آزمون آماری برای داده های دبی در تحلیل های اولیه ضرورت کمتری دارد؟

(۱) آزمون استقلال و ایستایی (۲) آزمون همگنی و ایستایی

(۳) آزمون مقادیر پرت (۴) آزمون تصادفی بودن

۲۰۴- در اثر تغییرات اقلیمی عمق، بارندگی سالانه امکان چه تغییری را دارد؟

(۱) افزایش (۲) کاهش (۳) بدون تغییر (۴) هر دو افزایش و کاهش

۲۰۵- کدام نمودار در مورد حوضه در محور طولی ارتفاع و در محور عرضی مساحت محصور بین دو ارتفاع به صورت هیستوگرام ترسیم می شود؟

(۱) آلتی متری (۲) منحنی سنجه (۳) هیپسومتری (۴) هیتوگراف

۲۰۶- رابطه زمان تمرکز با عامل شکل حوضه، کدام است؟

(۱) هرچه عامل شکل حوضه کوچکتر باشد، زمان تمرکز حوضه بزرگتر خواهد بود.

(۲) هرچه عامل شکل حوضه بزرگتر باشد، زمان تمرکز حوضه بزرگتر خواهد بود.

(۳) با افزایش عامل شکل حوضه، ابتدا زمان تمرکز زیاد می شود و پس از رسیدن به نقطه اوج، کاهش می یابد.

(۴) با هم ارتباطی ندارند.

۲۰۷- در محاسبه سرعت نفوذ در یک حوضه با استفاده از شاخص های  $\phi$  و  $W$  کدام درست است؟

(۱)  $\phi < W$  (۲)  $\phi \leq W$  (۳)  $W \leq \phi$  (۴)  $W < \phi$

۲۰۸- در منطقه ای که دارای ۸ ایستگاه باران سنجی است، میانگین و انحراف معیار بارش ایستگاه ها به ترتیب ۳۴۰ و ۸۵ میلی متر محاسبه شده است، تعیین کنید حداکثر میزان خطا در برآورد مقدار بارش متوسط منطقه چند درصد است؟

(۱)  $۱۲/۲$

(۲)  $۹/۴$

(۳)  $۸/۸$

(۴)  $۵/۱$

۲۰۹- احتمال اینکه یک سیلاب ۵ ساله حداقل یک بار در طی ۴ سال آینده رخ دهد، کدام است؟

- (۱)  $(0.8)^4$       (۲)  $(0.75)^5$       (۳)  $1 - (0.75)^5$       (۴)  $1 - (0.8)^4$

۲۱۰- در منطقه‌ای با خاک خشک، یک واقعه بارش به ارتفاع ۱۴۰ میلی‌متر رخ می‌دهد، اگر CN برای این منطقه ۸۰ باشد، ارتفاع رواناب چند میلی‌متر تخمین زده می‌شود؟ (نسبت تلفات اولیه بارش را ۳۰ درصد فرض نمایید).

- (۱) ۹۰  
(۲) ۸۵  
(۳) ۷۹  
(۴) ۶۶

### آمار و احتمالات:

۲۱۱- اگر میانگین جمعیت A برابر با ۴ و جمعیت B برابر با ۶ باشد، میانگین تابع خطی  $Y = 2X_A + 3X_B - 3$  کدام است؟

- (۱) ۵      (۲) ۲۳  
(۳) ۲۶      (۴) ۲۹

۲۱۲- برای یک سری داده میانگین، مد و میانه به ترتیب برابر ۶، ۸ و ۷ است. منحنی این داده‌ها به کدام شکل خواهد بود؟

- (۱) چوله به چپ      (۲) چوله به راست      (۳) کشیده      (۴) متقارن

۲۱۳- هرگاه  $\sum_{i=1}^{10} x_i = 10$ ،  $\sum_{i=1}^{10} y_i = 20$  و  $\sum_{i=1}^{10} x_i y_i = 30$  باشد، مقدار عددی رابطه  $\sum_{i=1}^{10} (x_i + 1)(3y_i - 3)$  کدام است؟

- (۱) ۳۰      (۲) ۶۰  
(۳) ۹۰      (۴) ۱۲۰

۲۱۴- یک نفت‌کش ۱۲۰ روز طول می‌کشد تا با بار به مقصد برسد و ۸۰ روز طول می‌کشد تا پس از تخلیه به محل بارگیری برگردد. میانگین مدت زمان رفت و برگشت این نفت‌کش چند روز است؟

- (۱) ۹۴      (۲) ۹۶  
(۳) ۱۰۰      (۴) ۱۰۵

۲۱۵- در خانواده‌ای با ۶ فرزند، احتمال اینکه جنسیت فرزندان خانواده یک در میان متفاوت باشد، چقدر است؟

- (۱)  $\frac{1}{4}$       (۲)  $\frac{1}{16}$   
(۳)  $\frac{1}{32}$       (۴)  $\frac{1}{64}$

۲۱۶- در یک کیسه که مهره‌های با اعداد ۱ تا ۱۰ شماره‌گذاری شده است، دو مهره به‌طور متوالی بیرون آورده می‌شوند. احتمال اینکه یکی از مهره‌ها عدد فرد و دیگری عدد زوج داشته باشند، چقدر است؟

- (۱)  $\frac{5}{9}$       (۲)  $\frac{5}{10}$   
(۳)  $\frac{1}{4}$       (۴)  $\frac{25}{90}$



۲۱۷- از هر یک از داده‌های اولیه، عدد ۱۰۰ کم و حاصل به عدد ۱۰۰ تقسیم شده است. میانگین و انحراف معیار داده‌های تغییر یافته برابر ۱۰ و ۵ شده است. میانگین و واریانس داده‌های اصلی به ترتیب کدام است؟

- (۱) ۲۰۰ و ۵۰۰۰  
 (۲) ۲۰۰۰ و ۲۵۰۰  
 (۳) ۱۱۰۰ و ۲۵۰۰  
 (۴) ۱۱۰۰ و ۲۵۰۰۰۰

۲۱۸- نمرات دانشجویان در یک آزمون آمار دارای توزیع  $N(۶۰, ۲۵)$  است. استاد درس به دانشجویانی که نمره آنها بیش از ۶۰ باشد، نمره الف می‌دهد. در یک کلاس ۳۰۰ نفری چند نفر الف می‌گیرند؟

- (۱) ۱۰۰  
 (۲) ۱۲۰  
 (۳) ۱۵۰  
 (۴) ۲۰۰

۲۱۹- برای بررسی رابطه صفت مستقل میزان کود مصرفی و صفت تابع عملکرد دانه اطلاعات زیر در دست است:

$$\sum_{i=1}^{10} X_i Y_i = 500, \quad \bar{X} = 5, \quad \bar{Y} = 7, \quad \sum (X_i - \bar{X})^2 = 100$$

شیب خط رگرسیون برابر کدام است؟

- (۱)  $-2/5$   
 (۲)  $-1/5$   
 (۳)  $2/5$   
 (۴)  $1/5$

۲۲۰- دوره رسیدگی یک گیاه زراعی دارای توزیع نرمال با میانگین ۴۷۰ روز و واریانس ۱۰۰ است. اگر بوته‌ای به‌طور تصادفی انتخاب گردد، احتمال اینکه دوره رسیدگی آن کمتر از ۴۵۰ روز باشد، چند درصد است؟

$$P(Z \geq -2) = 0.9772$$

- (۱)  $2/28$   
 (۲)  $0.228$   
 (۳)  $22/8$   
 (۴)  $97.72$

۲۲۱- برای بررسی این ادعا که نسبت بوته‌های متعلق به یک علف هرز بیشتر از ۲۰ درصد است، یک نمونه ۱۰۰ تایی به‌طور تصادفی از مزرعه انتخاب و ۳۰ بوته علف هرز مشاهده شد. آماره آزمون برابر کدام است؟

- (۱)  $1/75$   
 (۲) ۲  
 (۳)  $2/5$   
 (۴) ۳

۲۲۲- کدام مورد، برای خط رگرسیون  $\hat{y}_i = a + bx_i$  با استفاده از داده‌های جدول زیر درست است؟

$x_i$	۷	۸	۹	۱۱	۱۵
$y_i$	۵	۷	۷	۹	۱۲

- (۱)  $b = 0.8, a = 2$   
 (۲)  $b = 0.6, a = 2$   
 (۳)  $b = 0.4, a = 3$   
 (۴)  $b = 0.8, a = 3$

۲۲۳- در کدام مورد حدود اطمینان  $\hat{Y}_i$  بیشتر است؟

- (۱)  $X_i - \bar{X} = -10$   
 (۲)  $X_i - \bar{X} = 0$   
 (۳)  $X_i - \bar{X} = \frac{1}{4}$   
 (۴)  $X_i - \bar{X} = 20$

۲۲۴- کدام حدود اطمینان در سطح احتمال ۵٪ فرض  $H_0: \mu = 0$  را رد می‌کنند؟

- (۱)  $0 \leq \mu \leq 4$   
 (۲)  $0 \leq \mu \leq 1/2$   
 (۳)  $1/5 \leq \mu \leq 2/5$   
 (۴)  $-4 \leq \mu \leq +6$

۲۲۵- کواریانس دو متغیر استاندارد شده برابر کدام است؟

- (۱) صفر  
 (۲) یک  
 (۳) ضریب رگرسیون  
 (۴) ضریب همبستگی

۲۲۶- در روش کمترین توان‌های دوم، برآورد ضریب رگرسیون طوری صورت می‌گیرد که یکی از کمیت‌های زیر حداقل می‌شود، آن مورد کدام است؟

$$\sum \hat{y}_i^2 \quad (۱) \quad \sum b^2 \quad (۲) \quad \sum (y_i - \hat{y}_i)^2 \quad (۳) \quad \sum (y_i - \bar{y})^2 \quad (۴)$$

۲۲۷- برای اندازه‌گیری مطابقت یک توزیع تجربی با توزیع نظری از کدام آزمون استفاده می‌شود؟

$$\text{توزیع کی دو} \quad (۱) \quad \text{توزیع نرمال} \quad (۲) \quad F \quad (۳) \quad t \quad (۴)$$

۲۲۸- در رگرسیون خطی اگر  $\hat{\beta} = \mathbf{b} = 0$  باشد، مقدار  $\hat{y}_i$  برابر کدام است؟

$$\text{صفر} \quad (۱) \quad \bar{y} \quad (۲) \quad e_i \quad (۳) \quad y_i \quad (۴)$$

۲۲۹- برای آزمون  $H_0: \beta = \beta_0$  کدام فرمول قابل استفاده است؟

$$\frac{b - \beta_0}{\sqrt{MSe/SSx}} \quad (۱) \quad \frac{b - \beta_0}{\sqrt{Sse/SSx}} \quad (۲) \quad \frac{b^2 SSx}{MSe} \quad (۳) \quad \frac{b^2 SSx}{Sse} \quad (۴)$$

۲۳۰- با معنی‌دار شدن F در یک طرح کاملاً تصادفی، کدام یک از فرض‌های  $H_1$  را می‌پذیریم؟

$$\sigma_B = \sigma_W \quad (۱) \quad \sigma_B \neq \sigma_W \quad (۲) \quad \sigma_B < \sigma_W \quad (۳) \quad \sigma_B > \sigma_W \quad (۴)$$

### مدیریت منابع آب:

۲۳۱- حداقل تعداد متغیر کمکی مورد نیاز برای حل مسئله به روش سیمپلکس کدام است؟

$$\text{Max } x_0 = 5x_1 + 4x_2 + 6x_3 + 6x_4 \quad (۱) \quad \text{صفر}$$

$$x_1 + 2x_2 + x_3 + x_4 = 20 \quad (۲) \quad 2$$

$$2x_2 + x_3 + x_4 = 10 \quad (۳) \quad 3$$

$$x_3 + x_4 = 6 \quad (۴) \quad 4$$

$$x_1, x_2, x_3, x_4 \geq 0$$

۲۳۲- در الگوریتم برنامه‌ریزی خطی و حل آن به روش سیمپلکس، رابطه تعداد متغیرهای پایه با تعداد قیود چگونه است؟

(۱) بیشتر است.

(۲) کمتر است.

(۳) برابر است.

(۴) بستگی به صورت مسئله دارد.

۲۳۳- در شکل استاندارد مسئله برنامه‌ریزی خطی .....

(۱) تابع هدف از نوع بیشینه‌سازی است.

(۲) کلیه قیود به صورت کوچکتر و مساوی هستند.

(۳) عدد سمت راست هر قید مقداری بزرگتر و یا مساوی صفر است.

(۴) محدودیتی برای علامت قیدها وجود ندارد.

۲۳۴- برای تحلیل خشک‌سالی از کدام نسبت(ها) استفاده می‌شود؟

(۱) بارش به دما - رطوبت نسبی به دما

(۲) بارش به تبخیر - رطوبت نسبی به دما

(۳) تبخیر واقعی به تبخیر پتانسیل

(۴) تبخیر واقعی به تبخیر یک سطح استاندارد آب

۲۳۵- کدام مورد درباره شاخص کارایی و شاخص اثربخشی، درست است؟

(۱) کارایی جنبه کیفی دارد ولی اثربخشی جنبه کمی دارد.

(۲) کارایی جنبه کمی دارد ولی اثربخشی جنبه کیفی دارد.

(۳) شاخص‌های کارایی و اثربخشی هر دو جنبه کمی دارند.

(۴) شاخص‌های کارایی و اثربخشی هر دو جنبه کیفی دارند.

- ۲۳۶- با توجه به شاخص فالکن مارک محدوده سرانه منابع آب تجدیدپذیر یک کشور جهت قرارگرفتن درگروه کشورهای با تنش آبی، چند مترمکعب است؟
- (۱) بین ۲۰۰ تا ۱۲۰۰  
(۲) بین ۵۰۰ تا ۱۲۰۰  
(۳) بین ۱۰۰۰ تا ۱۷۰۰  
(۴) کمتر از ۱۰۰۰
- ۲۳۷- کدام مورد درباره شاخص بهره‌وری آب کشاورزی BPD، درست است؟
- (۱) مقدار هزینه صرف شده جهت تولید محصول درنظر گرفته نمی‌شود.  
(۲) تمامی هزینه‌ها و سود ناشی از فروش محصول را درنظر می‌گیرد.  
(۳) مقدار سود خالص حاصل از فروش محصول درنظر گرفته می‌شود.  
(۴) هر محصولی که BPD بالاتری داشته باشد، برای کشت مناسب‌تر است.
- ۲۳۸- کدام مورد، مراحل اصلی چرخه بهره‌وری را نشان می‌دهد؟
- (۱) اندازه‌گیری - تحلیل - برنامه‌ریزی - بهبود  
(۲) شناخت مسئله - هدف - برنامه‌ریزی - اجرا  
(۳) شناخت مسئله - تحلیل - برنامه‌ریزی - اجرا  
(۴) شناخت مسئله - راه‌حل - اجرا
- ۲۳۹- کدام درست است؟
- (۱) دوره زمانی تحلیل و مقایسه طرح بیشتر از عمر اقتصادی طرح است.  
(۲) دوره زمانی تحلیل یک پروژه منابع آب معمولاً ۱۰۰ تا ۲۰۰ سال است.  
(۳) عمر اقتصادی یک طرح هرگز از عمر فیزیکی تجاوز نمی‌کند.  
(۴) دوره تحلیل طولانی، کمک قابل توجهی به یکپارچه‌سازی اقدامات و راه‌حل‌های درازمدت نمی‌کند.
- ۲۴۰- مهمترین جبهه آب و هوایی که موجب ایجاد باران در کشور می‌شود، کدام است؟
- (۱) جریان هوای مرطوب اقیانوس هند  
(۲) جبهه آب و هوایی دریای مدیترانه و دریای سیاه  
(۳) جبهه جریان آب‌وهوایی سرد سیبری  
(۴) جریان آب و هوایی که از شمال شرق وارد ایران می‌شود.
- ۲۴۱- حریم دریاچه سد را حدود ..... متر از محیط ترشده مخزن سد بر مبنای ..... ارتفاع آب روی سرریز سد درنظر می‌گیرند.
- (۱) ۱۰۰، حداقل (۲) ۱۵۰، حداقل (۳) ۱۰۰، متوسط (۴) ۱۵۰، حداکثر
- ۲۴۲- مواد آلی قابل تجزیه بیولوژیکی مانند پروتئین‌ها، کربوهیدرات‌ها و چربی‌ها موجود در فاضلاب با کدام شاخص اندازه‌گیری می‌شوند؟
- (۱) ازت، فسفر و پتاسیم  
(۲) کلر، سدیم و بر  
(۳) کل باکتری‌های کلیفرم و مدفوعی  
(۴) نیاز بیوشیمیایی به اکسیژن و نیاز شیمیایی به اکسیژن
- ۲۴۳- براساس استاندارد وزارت نیرو، «حداکثر مطلوب» و «حداکثر مجاز» تعداد کلیفرم در ۱۰۰ میلی‌لیتر آب آشامیدنی بطری شده، به ترتیب کدام است؟
- (۱) در هیچ نمونه‌ای کلیفرم وجود نداشته باشد - در یک نمونه اتفاقی، تعداد کلیفرم از ۲ عدد بیشتر نشود.  
(۲) در هیچ نمونه‌ای کلیفرم وجود نداشته باشد - در هیچ نمونه‌ای کلیفرم وجود نداشته باشد.  
(۳) باید ۹۵ درصد نمونه‌های گرفته‌شده در طی سال، فاقد کلیفرم باشد - در نمونه‌های اتفاقی، مقدار کلیفرم از ۱۰ عدد بیشتر نشود.  
(۴) باید ۹۵ درصد نمونه‌های گرفته‌شده در طی سال، فاقد کلیفرم باشد - در یک نمونه اتفاقی، تعداد کلیفرم از ۲ عدد بیشتر نشود.



۲۴۴- ایجاد شبکه‌های آبیاری نوع ۱، ۲، ۳ و ۴ برعهده کدام نهاد است؟

- (۱) وزارت نیرو  
(۲) وزارت کشاورزی  
(۳) نوع ۱ وزارت نیرو و نوع ۲، ۳ و ۴ وزارت کشاورزی  
(۴) نوع ۱ و ۲ وزارت نیرو و نوع ۳ و ۴ وزارت کشاورزی

۲۴۵- در بهینه‌سازی مصرف آب در منازل و مکان‌های عمومی، کدام مورد کارساز نیست؟

- (۱) استفاده توأم از منابع آب سطحی و زیرزمینی در شهرها  
(۲) اصلاحات ابزاری مانند مخلوط کردن هوا با آب در تجهیزات مصرف‌کننده آب  
(۳) اصلاحات رفتاری بهینه‌سازی مصرف در اماکن عمومی، دولتی و منازل با آموزش‌های مداوم در تلویزیون و وسائط نقلیه  
(۴) اقدام کنترلی و نظارت قانونی مانند نصب برچسب بر روی تجهیزات آبی و نظارت بر نصب تجهیزات کم مصرف از طریق سازمان نظام مهندسی ساختمان

۲۴۶- تشکیلات واحد نگهداری و تعمیرات شبکه‌های آبیاری و زهکشی براساس کدام معیار تعیین می‌شود؟

- (۱) اقلیم - کاربران  
(۲) اقلیم - منابع مالی  
(۳) الگوی کشت - بهره‌بردار  
(۴) نوع کار - مساحت اراضی تحت آبیاری  
۲۴۷- مجمع عمومی بهره‌برداران و نگهداری از شبکه‌های آبیاری و زهکشی، متشکل از نمایندگان کدام نهادها است؟  
(۱) بهره‌برداران، وزارت کشاورزی، وزارت نیرو  
(۲) وزارت نیرو، وزارت کشاورزی، وزارت کشور  
(۳) وزارت کشاورزی، وزارت نیرو، آب منطقه‌ای  
(۴) وزارت کشور، وزارت کشاورزی، وزارت نیرو، بهره‌برداران  
۲۴۸- فرایندی که شامل کلیه فعالیت‌های برنامه‌ریزی، طراحی، ساخت و بهره‌برداری از سیستم‌های منابع آب می‌شود، چه نام دارد؟  
(۱) برنامه‌ریزی منابع آب  
(۲) توسعه منابع آب  
(۳) مدیریت منابع آب  
(۴) مهندسی منابع آب

۲۴۹- موقعیت مکانی سد تنظیمی روی یک رودخانه، کدام است؟

- (۱) پایین‌دست سد انحرافی  
(۲) پایین‌دست سد مخزنی  
(۳) بالادست سد مخزنی  
(۴) بالادست سد انحرافی  
۲۵۰- براساس میانگین بلندمدت داده‌ها، به ترتیب بیشترین و کمترین رواناب سطحی مربوط به کدام حوضه‌های اصلی ایران است؟  
(۱) خلیج فارس و دریای عمان - قره‌قوم  
(۲) خلیج فارس و دریای عمان - مرزی شرق  
(۳) دریای خزر - قره‌قوم  
(۴) دریای خزر - مرزی شرق

دروس تخصصی هواشناسی کشاورزی (هوا و اقلیم‌شناسی، زراعت، باغبانی، خاک‌شناسی، آبیاری، گیاه‌پزشکی):

۲۵۱- افزایش کدام عامل سبب سرد شدن اتمسفر می‌شود؟

- (۱) ازن  
(۲) کربن سیاه  
(۳) متان  
(۴) هواویزها

۲۵۲- کنترل‌کننده اصلی شدت تبخیر در نواحی بسیار مرطوب کدام است؟

- (۱) تابش خورشید  
(۲) دمای هوا  
(۳) رطوبت نسبی هوا  
(۴) سرعت باد

۲۵۳- اگر ارتفاع نقطه B بیشتر از A باشد، کدام حالت در مورد فشار بخار اشباع (F) در دمای نقطه جوش دو نقطه درست است؟

- (۱)  $F_A > F_B$   
(۲)  $F_A < F_B$   
(۳)  $F_A \geq F_B$   
(۴)  $F_A \leq F_B$

۲۵۴- کدام مورد در هر دو جبهه گرم و سرد مشترک است؟

- (۱) ایجاد بادهای ضعیف و آرام  
(۲) بالارفتن هوای گرم بر روی توده هوای سرد  
(۳) کم شدن نرخ بارش  
(۴) واگرایی بادهای سطحی

۲۵۵- در کدام لایه جو، گرادیان قائم دما می تواند مثبت یا منفی باشد؟

- (۱) استراتوسفر (۲) ترموسفر (۳) تروپوسفر (۴) مزوسفر

۲۵۶- علت تفاوت افتاهنگ دمای هوای اشباع، مرطوب و خشک کدام است؟

- (۱) آزاد شدن گرمای نهان تبخیر (۲) سرد شدن هوا و رسیدن به دمای نقطه شبنم  
(۳) افزایش فشار و بخار آب (۴) ناپایداری هوا

۲۵۷- با تأثیر همزمان نیروی گرادیان فشار و نیروی کوریولیس در پرفشار نیمکره شمالی، تمایل حرکت ذرات به کدام سمت خواهد بود؟

- (۱) به سوی مرکز سیستم پرفشار (۲) به سوی مرکز سیستم کم فشار مجاور  
(۳) سمت راست مسیر حرکت اولیه (۴) سمت چپ مسیر حرکت اولیه

۲۵۸- کدام مورد معرف پیشوندهایی به مفهوم ارتفاع گرفته و باران را در سیستم نام گذاری ابرها است؟

- (۱) آلتو - کومولو (۲) آلتو - نیمبو (۳) سیرو - نیمبو (۴) کومولو - استراتا

۲۵۹- اندازه گیری داده های جو بالا چند مرتبه و در کدام ساعات از روز انجام می شود؟

- (۱) ۲ مرتبه و در ساعت های صفر و ۱۲ به وقت گرینویچ  
(۲) ۸ مرتبه در شبانه روز و هر ۳ ساعت یک مرتبه به وقت گرینویچ  
(۳) ۲ مرتبه و در ساعت های ۳٫۵ صبح و ۳٫۵ بعد از ظهر به وقت گرینویچ  
(۴) ۴ مرتبه در شبانه روز و در ساعت های صفر - ۶ - ۱۲ و ۱۸ به وقت گرینویچ

۲۶۰- کدام دیدبانی در ایستگاه هواشناسی کشاورزی به صورت معمول انجام نمی گیرد؟

- (۱) بیومتری (۲) خیسی سطح برگ (۳) عمق یخبندان (۴) فتولوژی

۲۶۱- کدام مورد مقدار تبخیر از سطح متخلخل را به دست می دهد؟

- (۱) آتومتریج (۲) تبخیرنگار ویلد (۳) تشت تبخیر (۴) میکرو لایسیمتر

۲۶۲- کدام عامل موجب افزایش دامنه شبانه روزی دمای هوا می شود؟

- (۱) افزایش عرض جغرافیایی (۲) کاهش سرعت باد (۳) وجود شرایط ابرناکی (۴) وجود اقیانوس ها

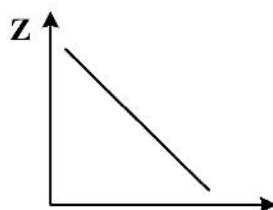
۲۶۳- تبادل هوا بین خاک و جو بر مبنای کدام فرایند است؟

- (۱) اختلاط و هدایت (۲) پخش و هدایت (۳) پخش و اختلاط (۴) جابجایی و پخش

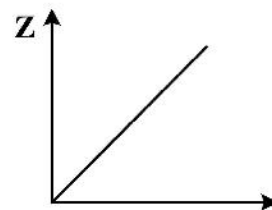
۲۶۴- انواع ایستگاه های هواشناسی از نظر تراکم از بیشترین به کمترین کدام است؟

- (۱) اقلیم شناسی - سینوپتیکی - باران سنجی - جو بالا (۲) باران سنجی - اقلیم شناسی - سینوپتیکی - جو بالا  
(۳) جو بالا - باران سنجی - اقلیم شناسی - سینوپتیکی (۴) سینوپتیکی - اقلیم شناسی - باران سنجی - جو بالا

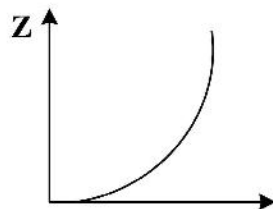
۲۶۵- کدام نمودار معرف تغییرات تعداد ذرات معلق جامد با قطر معین حسب ارتفاع (Z) است؟



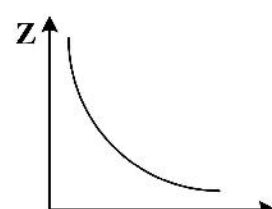
(۲)



(۱)



(۴)



(۳)

۲۶۶- کدام مورد دربارهٔ جبهه‌ها نادرست است؟

- (۱) فشار در جهت عمود بر جبهه افزایش می‌یابد.
  - (۲) منطقهٔ گذار بین دو تودهٔ هوای مختلف را سطح جبهه گویند.
  - (۳) منطقهٔ گذار جبهه‌ای ممکن است از چند صد تا چند هزار متر تغییر کند.
  - (۴) هر چه تفاوت دما و رطوبت هوا کمتر باشد، منطقهٔ گذار نازکتر است.
- ۲۶۷- حداقل سرعت لازم برای خروج یک ذرهٔ مادی از جو زمین تقریباً کدام است؟

- (۱) ۱/۸ متر بر ثانیه
- (۲) ۱۱ متر بر ثانیه
- (۳) ۱/۸ کیلومتر بر ثانیه
- (۴) ۱۱ کیلومتر بر ثانیه

۲۶۸- اگر شعاع زمین R و فاصلهٔ متوسط زمین و خورشید d باشد، کدام سهم از انرژی خورشیدی نصیب کرهٔ زمین می‌شود؟

$$(1) \frac{1}{4} \left(\frac{R}{d}\right)^2 \quad (2) \frac{2d^3}{R^2}$$

$$(3) 3 \left(\frac{R}{d}\right)^3 \quad (4) \frac{d^2}{4R^2}$$

۲۶۹- کدام مورد، شرط فوق‌اشباع شدن هوا است؟

- (۱) تشکیل ابر
  - (۲) رطوبت نسبی ۱۰۰ درصد
  - (۳) رسیدن دما به نقطهٔ شبنم
  - (۴) نبود هسته‌های تراکم
- ۲۷۰- دلیل تغییر دمای درونی یک بستهٔ هوای در حال صعود به صورت بی‌دررو (آدیاباتیک) کدام است؟
- (۱) آنتروپی درونی آن
  - (۲) آزاد شدن گرمای نهان
  - (۳) انجام کار
  - (۴) تغییر جرم

۲۷۱- اگر تعداد ذرات معلق با قطر ۲ میکرون در سطح زمین معادل ۱۰۰۰ عدد بر سانتی‌مترمکعب باشد، تعداد این ذرات در ارتفاع ۱۴۰۰ متری از سطح زمین حدوداً چقدر است؟

- (۱) ۱۱۰
- (۲) ۱۴۰
- (۳) ۲۳۰
- (۴) ۳۷۰

۲۷۲- کدام رطوبت‌سنج برای تنظیم و بررسی دقت کارکرد سایر رطوبت‌سنج‌ها استفاده می‌شود؟

- (۱) سایکرومتر تر و خشک
- (۲) سایکرومتر فلاخنی
- (۳) سایکرومتر آسمن
- (۴) رطوبت‌سنج مویی

۲۷۳- در جدول زیر مقادیر متوسط دمای هوای یک ایستگاه در ماه‌های مختلف سال داده شده است. تعداد ماه‌های گرم و نوع اقلیم این منطقه کدام است؟

Jan	Feb	Mar	Apr	May	Jun	Jul	Aug	Sep	Oct	Nov	Dec
۷/۵	۸/۵	۱۲/۷	۱۷/۵	۲۱/۸	۲۶/۴	۳۱/۸	۳۲/۱	۲۵/۸	۱۸/۴	۱۳/۷	۴/۸

- (۱) ۵، سرد
- (۲) ۵، نیمه گرمسیری
- (۳) ۸، معتدله
- (۴) ۸، نیمه گرمسیری



۲۷۴- میدان‌های فشار هواشناسی کدام ساعات از شبانه‌روز (به وقت گرینویچ) ترسیم می‌شود؟

- (۱) ۱۲ و ۲۴  
 (۲) صفر و ۱۲  
 (۳) صفر، ۶، ۱۲، ۱۸  
 (۴) ۳، ۶، ۱۲ و ۲۴

۲۷۵- دلیل اصلی نیاز به تصحیح عدد فشار قرائت شده بر حسب عرض جغرافیایی، تغییر کدام عامل است؟

- (۱) ارتفاع  
 (۲) دما  
 (۳) شتاب ثقل  
 (۴) وزن مخصوص هوا

۲۷۶- کدام ابزار هواشناسی در ضلع جنوبی ایستگاه قرار دارد؟

- (۱) آفتاب‌نگار  
 (۲) اسکرین هواشناسی  
 (۳) بادسنج  
 (۴) تشت تبخیر

۲۷۷- کدام مورد به‌طور کلی دربارهٔ دامنهٔ تغییرات شبانه‌روزی فشار جوی درست است؟

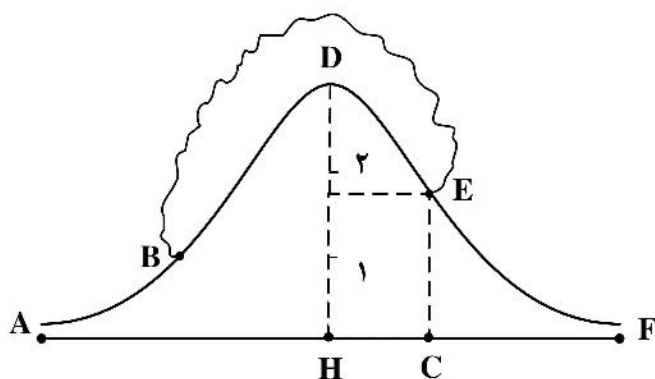
- (۱) از استوا به قطب کاهش می‌یابد.  
 (۲) از استوا به قطب افزایش می‌یابد.  
 (۳) قانون‌مندی خاصی ندارد.  
 (۴) در عرض‌های حدود ۳۰ درجه بیشترین مقدار را دارد.

۲۷۸- نام و ویژگی‌های تودهٔ هوایی که به اختصار با cT نشان داده می‌شود، کدام است؟

- (۱) شمالگانی قاره‌ای - دما و رطوبت کم  
 (۲) شمالگانی دریایی - دمای کم، رطوبت زیاد  
 (۳) گرمسیری قاره‌ای - دمای زیاد، رطوبت کم  
 (۴) گرمسیری دریایی - دما و رطوبت زیاد

۲۷۹- در کوهستانی به ارتفاع  $(HD = 2/5 \text{ km})$ ، یک تودهٔ هوا به دمای ۲۲ درجه و نقطهٔ شبنم ۱۲ درجه به سمت بالا رانده می‌شود و در B به نقطهٔ اشباع می‌رسد و تراکم تا نقطهٔ E به ارتفاع ۱/۵ کیلومتر  $(EC = 1/5 \text{ km})$  از طرف دیگر کوه ادامه دارد. گرادیان قائم هوای اشباع ۶- درجه بر کیلومتر فرض می‌شود. دما در نقاط E, D, B به ترتیب کدام است؟

- (۱) ۱۲، صفر، ۶  
 (۲) ۱۲، ۳، ۹  
 (۳) ۶، صفر، ۶  
 (۴) ۹، ۳، ۶



۲۸۰- کدام مورد دربارهٔ رژیم سالانه و شبانه‌روزی دمای اعماق خاک درست است؟

- (۱) دامنهٔ نوسان سالانهٔ دما در هر عمق از تقسیم دامنهٔ لایه بالا بر ۰/۴۷ به دست می‌آید.  
 (۲) با افزایش عمق خاک، دامنه با تضاد عددی کاهش می‌یابد.  
 (۳) در رژیم سالانهٔ دمای خاک عمق میرایی دامنه حدود ۴ متری است.  
 (۴) ضریب ثابت معادلهٔ کاهش دامنه، با عکس دورهٔ نوسان رابطهٔ مستقیم دارد.

۲۸۱- مصرف کود کلرور پتاسیم برای کدام گیاه زراعی مناسب‌تر است؟

- (۱) توتون  
 (۲) سیب‌زمینی  
 (۳) گندم  
 (۴) گوجه‌فرنگی

۲۸۲- کدام گروه از گیاهان علوفه‌ای فقط یک چین علوفه تولید می‌کنند؟

- (۱) گاودانه - ذرت - اسپرس  
 (۲) گاودانه - جو - یولاف  
 (۳) گاودانه - سورگوم - چاودار  
 (۴) گاودانه - شبدر شیرین - ذرت

۲۸۳- سیانیدریک اسید یا پروسیک در کدام گیاه وجود داشته و در کدام بخش از گیاه مقادیر آن حداکثر است؟

- (۱) سورگوم - برگ  
 (۲) سورگوم - ساقه  
 (۳) شبدر شیرین - برگ  
 (۴) شبدر شیرین - ساقه

۲۸۴- مهم‌ترین اسید چرب اشباع نشده کلزا، کدام است؟

- (۱) اروسیک اسید (۲) استئاریک اسید (۳) پروسیک اسید (۴) لینولئیک اسید

۲۸۵- تغییر پدیده ناهم‌رسی در برخی از درختان میوه آجیلی با افزایش سن، کدام است؟

- (۱) بیشتر می‌شود. (۲) تغییر نمی‌کند. (۳) کمتر می‌شود. (۴) در ابتدا کمتر و سپس بیشتر می‌شود.

۲۸۶- کدام مورد درباره گل‌دهی زودتر از موعد (Bolting) درست است؟

- (۱) باعث کاهش کمیت و کیفیت محصول می‌شود. (۲) بر کمیت و کیفیت محصول تأثیری ندارد. (۳) در سبزی‌های میوه‌ای مشکل‌ساز است. (۴) در سبزی‌های برگ‌ی مشکلی ایجاد نمی‌کند.

۲۸۷- کدام مورد درباره بهارش بذر درست است؟

- (۱) بذرهای بهاره‌شده می‌توانند خشک شوند. (۲) بذرهای قبل از قرار گرفتن در دمای پائین باید مرطوب شوند. (۳) بهارش بذر، مواجه کردن بذر با دمای پائین جهت تسریع جوانه‌زنی است. (۴) نیازی به خیس‌اندن بذر قبل از قرارگرفتن در دمای پائین وجود ندارد.

۲۸۸- کدام مورد درباره خفتگی در گل آزمون درست است؟

- (۱) در دماهای پایین پدازه‌ها به استراحت رفته و در دمای ۱۵ درجه سلسیوس گل‌انگیزی اتفاق می‌افتد. (۲) در دماهای بالا دوره خفتگی آغاز شده و دما در آغاز گل‌دهی اثری ندارد. (۳) در دماهای پایین گل‌انگیزی آغاز شده و استراحت پدازه‌ها در دمای صفر درجه سلسیوس اتفاق می‌افتد. (۴) در دماهای بالا پدازه‌ها به استراحت می‌روند و سپس با کاهش دما آغاز گل اتفاق می‌افتد.

۲۸۹- در خصوص زمان مورد نیاز برای تجزیه مواد آلی اضافه شده به خاک، کدام درست است؟

- (۱) با افزایش مقدار قندهای موجود افزایش می‌یابد. (۲) با افزایش مقدار لیگنین موجود افزایش می‌یابد. (۳) با کاهش مقدار پروتئین‌ها افزایش می‌یابد. (۴) با کاهش مقدار سلولز افزایش می‌یابد.

۲۹۰- تفاوت بین عناصر پرمصرف و کم‌مصرف در کدام مورد دیده می‌شود؟

- (۱) عناصر پرمصرف عمدتاً از طریق اتمسفر تأمین می‌شوند. (۲) عناصر پرمصرف بیش از ۱٪ وزن خشک گیاه را تشکیل می‌دهند. (۳) عناصر پرمصرف ۱۰ برابر عناصر کم‌مصرف مورد نیاز گیاه هستند. (۴) عناصر کم‌مصرف ضروری نبوده و گیاه می‌تواند بدون آنها دوره رشد را طی کند.

۲۹۱- مناسب‌ترین روش رفع کمبود عناصر کم‌مصرف کدام است؟

- (۱) افزودن منظم آنها به خاک (۲) افزودن آنها در مرحله نیاز (۳) کاستن از شوری خاک (۴) تنظیم pH خاک

۲۹۲- مقاومت خاک در مقابل توسعه ریشه با افزایش چگالی ظاهری و با مرطوب شدن خاک به ترتیب چگونه تغییر می‌کند؟

- (۱) زیاد - زیاد (۲) زیاد - کم (۳) کم - زیاد (۴) کم - کم

۲۹۳- تبخیر - تعرق گندم برابر ۶ میلی‌متر بر روز و عمق ناخالص آبیاری ۵۰ میلی‌متر است. اگر تلفات نفوذ عمقی و تبخیر - بادبردگی در سیستم آبیاری بارانی به ترتیب ۱۰ و ۲۰ درصد باشد، دور آبیاری چند روز است؟

- (۱) ۵ (۲) ۶ (۳) ۷ (۴) ۸

۲۹۴- دبی آبیاش سیستم قرقره‌ای برابر با ۵۰ لیتر بر ثانیه و سرعت حرکت دستگاه ۵/۰ متر بر دقیقه است. اگر عمق ناخالص آبیاری ۸ سانتی‌متر باشد، فاصله بین مسیره‌های حرکت دستگاه چند متر است؟

(۱) ۳۰

(۲) ۴۵

(۳) ۶۰

(۴) ۷۵

۲۹۵- ظرفیت سیستم آبیاری بارانی برابر با ۱۰ لیتر بر ثانیه است. اگر تعداد و طول لاترال‌ها و فاصله آبیاش‌ها به ترتیب ۵، ۱۰۰ و ۱۰ متر باشد، مقدار دبی هر آبیاش چند لیتر بر دقیقه است؟

(۱) ۱۰

(۲) ۱۲

(۳) ۴۸

(۴) ۶۰

۲۹۶- آبیاش‌ها در مزرعه‌ای به صورت آرایش مثلثی قرار گرفتند. اگر طول هر کدام از اضلاع مثلث برابر ۱۵ متر باشد، فاصله لاترال‌ها از یکدیگر چند متر است؟

(۱) ۹

(۲) ۱۳

(۳) ۱۴

(۴) ۱۵

۲۹۷- معیار گروه‌بندی فیتوپلاسم‌ها بر اساس ترادف کدام ژن (ها) است؟

(۱) ۵S rRNA

(۲) ۲۳S rRNA

(۳) ۱۶S rRNA و ۲۳S rRNA

(۴) ۱۶S rRNA

۲۹۸- انتشار فیتوپلاسم‌ها در طبیعت به کدام عامل وابسته است؟

(۱) بذور آلوده (۲) جریان باد (۳) زنجیره‌های ناقل (۴) شته‌های ناقل

۲۹۹- کدام گروه از بیمارگرها عموماً باعث مرگ گیاهچه در چغندر قند می‌شوند؟

(۱) *Pythium aphanidermatum* – *Rhizoctonia solani* – *Sclerotium rolfsii*

(۲) *Pythium aphanidermatum* – *Rhizoctonia solani* – *Phoma betae*

(۳) *Rhizoctonia solani* – *Sclerotium rolfsii* – *Verticillium albo-atrum*

(۴) *Sclerotium rolfsii* – *Verticillium albo-atrum* – *Pythium aphanidermatum*

۳۰۰- بیماری لکه سفید یا لکه برگی سرکوسپورایی چغندر قند در چه مناطقی از چغندرکاری‌های کشور خسارت می‌زند؟

(۱) جنوب کشور که بیشتر هوا گرم و خشک است.

(۲) غرب کشور که بیشتر هوا خنک و مرطوب است.

(۳) دوره رویش چغندر قند در هوای خنک و خشک صورت می‌گیرد.

(۴) دوره رویش چغندر قند در هوای گرم و مرطوب صورت می‌گیرد.



