

کد کنترل

823

F



823F

آزمون ورودی دوره‌های کارشناسی ارشد ناپیوسته داخل - سال ۱۴۰۲



جمهوری اسلامی ایران
وزارت علوم، تحقیقات و فناوری
سازمان سنجش آموزش کشور

صبح جمعه
۱۴۰۱/۱۲/۱۲

«اگر دانشگاه اصلاح شود
مملکت اصلاح می‌شود.»
امام خمینی (ره)

مهندسی مکانیک بیوسیستم (کد ۱۳۱۹)

زمان پاسخ‌گویی: ۱۵۵ دقیقه

تعداد سؤال: ۱۴۵

عنوان مواد امتحانی، تعداد و شماره سؤالات

ردیف	مواد امتحانی	تعداد سؤال	از شماره	تا شماره
۱	زبان عمومی و تخصصی (انگلیسی)	۲۵	۱	۲۵
۲	ریاضیات	۲۵	۲۶	۵۰
۳	استاتیک، دینامیک و مقاومت مصالح	۲۵	۵۱	۷۵
۴	طراحی اجزاء ماشین و طراحی ماشین‌های کشاورزی	۲۵	۷۶	۱۰۰
۵	مکانیک سیالات و ترمودینامیک	۲۵	۱۰۱	۱۲۵
۶	ابزار اندازه‌گیری	۲۰	۱۲۶	۱۴۵

این آزمون نمره منفی دارد.

استفاده از ماشین حساب مجاز نیست.

حق چاپ، تکثیر و انتشار سؤالات به هر روش (الکترونیکی و...) پس از برگزاری آزمون، برای تمامی اشخاص حقیقی و حقوقی تنها با مجوز این سازمان مجاز می‌باشد و یا متخلفین برابر مقررات رفتار می‌شود.

* داوطلب گرامی، عدم درج مشخصات و امضا در مندرجات جدول زیر، به منزله عدم حضور شما در جلسه آزمون است.

اینجانب با شماره داوطلبی با آگاهی کامل، یکسان بودن شماره سندلی خود با شماره داوطلبی مندرج در بالای کارت ورود به جلسه، بالای پاسخنامه و دفترچه سؤالات، نوع و کد کنترل درج شده بر روی جلد دفترچه سؤالات و پایین پاسخنامه ام را تأیید می نمایم.

امضا:

زبان عمومی و تخصصی (انگلیسی):

PART A: Vocabulary

Directions: Choose the word or phrase (1), (2), (3), or (4) that best completes each sentence. Then mark the answer on your answer sheet.

- 1- Despite the fact that Gross Domestic Product (GDP) has increased substantially in the industrialized West, the levels of human contentment have remained -----.
1) apposite 2) interwoven 3) static 4) implicit
- 2- Immigration ----- from the Latin word migration and means the act of a foreigner entering a country in the aim of obtaining the right of permanent residence.
1) gathers 2) obtains 3) arises 4) derives
- 3- Not speaking the same language as your customers can lead to communication -----.
1) breakdown 2) brevity 3) gesture 4) imitation
- 4- The factory's workforce has ----- from over 4,000 to a few hundred.
1) withdrawn 2) dwindled 3) undercut 4) forecasted
- 5- The police came up empty-handed despite an ----- exploration of the suspect's home.
1) exhaustive 2) inescapable 3) ephemeral 4) inevitable
- 6- When the old man married a woman in her thirties, all everyone talked about was the ----- in the couple's ages.
1) diversity 2) disparity 3) longevity 4) extension
- 7- One local factory will ----- the town's job shortage by providing 250 more jobs.
1) overlook 2) adjust 3) displace 4) alleviate

PART B: Cloze Test

Directions: Read the following passage and decide which choice (1), (2), (3), or (4) best fits each space. Then mark the correct choice on your answer sheet.

One commentator argues that the success of private schools is not in their money, (8) ----- their organization. State schools fail their pupils because, under government control, they lack options. But if head teachers at state schools (9) ----- given the same freedom as those at private schools, namely (10) ----- poor teachers and pay more to good ones, parents would not need to send their children to private schools any more.

- | | | | | |
|-----|---------------|-------------|-----------|------------|
| 8- | 1) that is | 2) it is in | 3) but in | 4) is |
| 9- | 1) had | 2) were | 3) to be | 4) be |
| 10- | 1) by sacking | 2) sacking | 3) sacked | 4) to sack |

PART C: Reading Comprehension

Directions: Read the following three passages and answer the questions by choosing the best choice (1), (2), (3), or (4). Then mark the correct choice on your answer sheet.

PASSAGE 1:

The concept of entropy plays an important role in describing complex processes including thermodynamics, statistics, and communications. Some problems of an adequate description of biological structures at microscopic and macroscopic scales are related to entropy. There are several descriptions of biological organisms as open systems, and these descriptions overlap to a greater or lesser degree with kinetic approaches. In some of them, it is assumed that physics is sufficient for explaining biological processes. However, to consider any biological system as a whole, kinetic theory judiciously defines this structure as a nonequilibrium open system. In fact, kinetic theory is the apt basis for a qualitative confirmation of this viewpoint. The essential point in metabolism is that the organism succeeds in freeing itself from all entropy it cannot help producing while it is alive. Life is an organizational process, with an interconnection between subsystems and super-systems, such that for survival the super-system must export equal or more entropy products than its sub-systems produce, towards maximum conversion of available exergy sources to entropy products. Some thermodynamic models applied to living systems address the investigations for the difference between input and output energy and entropy fluxes. The traditional method based on the classical definition of entropy (with local thermodynamic equilibrium) overestimates the entropy of the entire system. Indeed, if the number of microstates for independent parts of the biosystem is calculated, the result will not differ from a similar value for a sample. But in a real biosystem, its different parts, in particular different organs, depend on each other. In this case, the total entropy is much less than in the first mentioned case. Kinetic, statistical, and thermodynamic theories are the basis for describing complex entropy transformations. From the macroscopic point of view, the situation of a real biological system can be reproduced through two related ways of calculating entropy. The first involves an extended definition of entropy and takes into account correlations in the behavior of parts of the biosystem.

- 11- According to the passage, all of the following statements are true EXCEPT -----.
- 1) The key point about metabolism is that the organism frees itself from all entropy it produces while it is alive.
 - 2) Some thermodynamic models address the investigations for the difference between input and output energy.
 - 3) Kinetic, statistical, and thermodynamic theories are the basis for describing complex entropy transformations.
 - 4) The traditional method based on the classical definition of entropy disparages the entropy of the entire system.

- 12- What is the author's attitude towards kinetic theory?
 1) Indifference 2) Admiration 3) Suspicion 4) Disregard
- 13- The passage probably continues with a sentence about -----.
 1) the second way of calculating entropy 2) local thermodynamic equilibrium
 3) thermodynamic theories 4) statistical theories
- 14- The word 'adequate' in the passage (underlined) is closest in meaning to -----.
 1) apposite 2) accurate 3) absolute 4) aggregate
- 15- The word 'them' in the passage (underlined) refers to -----:
 1) approaches 2) descriptions 3) organisms 4) systems

PASSAGE 2:

Mineral fertilizers have been intensively applied to agricultural systems to achieve higher yields. Nitrogen (N) is essential for plant growth, so its application influences crop yield by establishing and maintaining photosynthetic and sink capacities. However, crop yield does not necessarily increase linearly with N fertilizer input. Excessive N fertilizer use has increased nitrogenous greenhouse gas emissions and intensified global warming. Reactive N escaping from agricultural systems can also contaminate groundwater and lead to surface water eutrophication. Long-term applications of N fertilizer have also intensified the acidification, degradation, and compaction of soils, thereby suppressing plant growth. It is necessary to develop prudent and sustainable management practices that feed the growing population and mitigate environmental costs. Manure has been promoted as a viable substitution for mineral fertilizers to increase food security, increase the sequestration of carbon, restore or maintain soil structure and fertility, and reduce mineral fertilizer inputs. Manure is rich in plant nutrients, is readily obtained, and can reduce the reliance on mineral fertilizer. About 78% of the N from livestock excreta is lost to the environment, so an alternative management strategy to substitute mineral fertilizer with manure is necessary. However, the effect of manure application on crop yield is debatable. Studies reported that the application of organic material did not increase yield, perhaps because the N from manure was less readily available for crop uptake. Yield responses to manure applications also vary among manure types, climatic conditions, and crop species. The mixed results indicate that more information about crop responses to manure application is needed to evaluate the strategic feasibility of broad-scale manure use. The agronomic effect of manure application on crop yield also needs to be assessed. The physicochemical and biological properties of the soil, such as pH, bulk density (BD), enzymatic activity, aggregation, SOC, total N (TN), available N (AN), available phosphorus (AP), and available potassium (AK) contents are strongly affected by its employment. Changes in the soil properties indicate the sustainability of soil productivity that will inevitably affect crop yield. Although manure utilization may represent a sustainable development strategy to improve soil productivity and yield, the optimal conditions need to be determined.

- 16- What is the main purpose of this passage?
 1) To explain about an alternative strategy to implement in place of mineral fertilizers
 2) To explain about the impact of Nitrogen fertilizer on plant growth and crop yield
 3) To explain about the physicochemical and biological properties of soil
 4) To explain about the application of mineral fertilizers in agricultural systems

- 17- What is the author's attitude towards the use of manure?
 1) Admiration 2) Indifference 3) Disregard 4) Suspicion
- 18- The passage probably continues with a sentence about -----.
 1) how to establish and maintain photosynthetic and sink capacities
 2) how to determine the optimal conditions required to exploit manure
 3) how to achieve higher crop yield
 4) how to decrease greenhouse gas emission
- 19- The word 'contaminate' in the passage (underlined) is closest in meaning to -----.
 1) prepare 2) purify 3) prate 4) pollute
- 20- The word 'its' in the passage (underlined) refers to -----.
 1) manure 2) yield 3) effect 4) soil

PASSAGE 3:

Economic development has led to a sharp increase in the demand for energy. As one of the most important energy sources, petroleum is increasing continually in demand. HPAM served as a kind of high efficiency oil-displacing agent widely adopted in tertiary oil recovery technology to make the most of the remaining oil left in oil reservoirs. Polymer flooding brought tremendous economic benefits for petroleum development. Meanwhile, the large amount of HPAM-containing waste water generated from the oilfield has been poured into aquatic environment, posing a severe threat to human beings and ecological environment. Besides, the cost of treatment for high concentration HPAM residue has gone up greatly. Consequently, the effective treatment strategies for HPAM-containing waste water have been required to be used urgently in order to address these problems. Photocatalytic technology, electrocoagulation, enzymatic degradation, and coagulation-flocculation have been put to use for treating this waste water up to now. Biodegradation is regarded as a promising tactic due to being environmentally friendly and cost-effective. Nitrogen-removal efficiency is regarded as a significant indicator of HPAM biodegradation. Among conventional biological treatment technologies, nitrogen removal mainly occurred in anoxic-stage and aerobic-stage. It was usually carried out in a separate or intermittent bioreactor. Recently, it has been found that nitrification and denitrification could occur simultaneously in the same reactor under the condition of continuous aeration; i.e., SND. Moreover, SND could dispel independent anoxic/aerobic regions and reduce energy consumption and adjust basicity automatically. Aerobic biofilm reactor (ABR) was widely used in HPAM-containing waste water treatment, which could provide the opportunity for the occurrence of SND in the same reactor. ABR technology could make microorganisms be effectively enriched on the carriers in a short period. Furthermore, the carriers exerted a huge impact not only on the dominant microbial community of the biofilm interior, operating conditions, and performance of the biosystem, but also on the nitrification and denitrification processes in the biofilm reactor. Thus, the proper carrier is of great importance for SND process.

- 21- According to the passage, all of the following statements are true EXCEPT -----.
 1) The utilization of ABR in HPAM-containing waste water treatment restrains SND.
 2) Polymer flooding brought immense economic benefits for petroleum development.
 3) Nitrification and denitrification can take place at the same time in the same reactor.
 4) Nitrogen-removal efficiency is a significant indicator of HPAM biodegradation.

- 22- What is the main purpose of this passage?
 1) To explain about the increase in the demand for energy
 2) To explain about HPAM-containing waste water treatment
 3) To explain about tertiary oil recovery technology
 4) To explain about the proper carrier for SND process
- 23- What is the author's attitude towards Biodegradation?
 1) Admiration 2) Indifference 3) Suspicion 4) Disregard
- 24- The word 'dispel' in the passage (underlined) is closest in meaning to -----.
 1) effigiate 2) elucidate 3) effectuate 4) eliminate
- 25- The word 'it' in the passage (underlined) refers to -----.
 1) biodegradation 2) aerobic-stage
 3) nitrogen removal 4) biological treatment

ریاضیات:

۲۶- برد تابع $f(x) = \arctan(x)$ ، کدام است؟

(۱) Z

(۲) R

(۳) $[\frac{-\pi}{2}, \frac{\pi}{2}]$

(۴) $(\frac{-\pi}{2}, \frac{\pi}{2})$

۲۷- دامنه تابع $f(x) = \sin^3 \sqrt{x}$ کدام است؟

(۱) $[-2\pi, 2\pi]$

(۲) $[0, +\infty)$

(۳) $[-\infty, +\infty]$

(۴) $[0, 2\pi]$

۲۸- $\sin(x)$ برابر کدام است؟

(۱) $\frac{e^x + e^{-x}}{2}$

(۲) $\frac{e^x - e^{-x}}{2}$

(۳) $\frac{e^{ix} - e^{-ix}}{2i}$

(۴) $\frac{e^{ix} + e^{-ix}}{2i}$

۲۹- برد $D_{f \circ g}$ در صورتی که $g(x) = \sqrt{x+5}$ ، $f(x) = \frac{1}{x^2-9}$ باشد، کدام است؟

(۱) $(4, +\infty)$

(۲) $[-5, 4) \cup (4, +\infty)$

(۳) $R - \{4\}$

(۴) $(-5, +\infty)$

۳۰- اگر $f(\text{Arc}(\cos \frac{x-1}{x+1})) = x+2$ باشد، $f(x)$ کدام است؟

(۱) $\frac{3 - \cos(x)}{1 - \cos(x)}$

(۲) $\frac{2 + \cos(x)}{1 - \cos(x)}$

(۳) $\frac{1 + \cos(x)}{1 - \cos(x)}$

(۴) $\frac{\cos(x) - 1}{1 + \cos(x)}$

۳۱- اگر a و b دو عدد مختلط باشند، به طوری که $ab = \lambda i$ و $a + b = 5 + 4i$ ، مقدار $a^3 + b^3$ کدام است؟

(۱) $51 - 156i$

(۲) $-19 + 116i$

(۳) $-51 + 156i$

(۴) $141 + 244i$

۳۲- حاصل حد $\lim_{x \rightarrow 0} x^2 \left[\frac{1}{x} \right]$ کدام است؟

(۱) حد ندارد

(۲) ۱

(۳) حد چپ و راست برابر نیستند.

(۴) ۰

۳۳- معادله خط مماس بر منحنی $\sin(xy) + e^x + e^y = 0$ در نقطه $(0, 0)$ ، کدام است؟

(۱) $y = ex + e$

(۲) $y = x$

(۳) $y = -x$

(۴) $y = ex - e$

۳۴- نقاط اکسترمم تابع $f(x) = \sin(x) + \frac{1}{4} \cos(2x)$ در بازه $[0, \pi]$ ، کدام است؟

(۲) $\frac{\pi}{6}$: مینیمم نسبی ، $\frac{\pi}{3}$: ماکزیمم نسبی

(۱) $\frac{\pi}{3}$: مینیمم نسبی ، $\frac{\pi}{3}$: ماکزیمم نسبی

(۴) $\frac{\pi}{2}$: مینیمم نسبی ، $\frac{\pi}{6}$: ماکزیمم نسبی

(۳) $\frac{\pi}{6}$: مینیمم نسبی ، $\frac{\pi}{2}$: ماکزیمم نسبی

۳۵- دایره به مرکز $(0, 0)$ و شعاع یک مفروض است. بیشترین مساحت ممکن برای مربعی که رأس‌های آن روی محیط دایره مذکور باشد، کدام است؟

(۱) ۲

(۲) ۱

(۳) 0.5

(۴) $\sqrt{2}$

۳۶- تویی را باد می‌کنیم. وقتی که شعاع توپ به 20 cm رسید، حجم آن با آهنگ $15 \frac{\text{cm}^3}{\text{s}}$ افزایش می‌یابد. آهنگ افزایش شعاع کره در این لحظه چقدر است؟

(۱) $\frac{1}{480\pi}$

(۲) $\frac{1}{24000\pi}$

(۳) $\frac{3}{160\pi}$

(۴) $\frac{3}{320\pi}$

۳۷- جواب انتگرال $\int 5e^{3x} \cos 2x \, dx$ کدام است؟

(۱) $\frac{1}{13} e^{3x} (3 \cos 2x + 4 \sin 2x)$

(۲) $\frac{1}{13} e^{3x} (3 \cos 2x + 2 \sin 2x)$

(۳) $\frac{1}{9} e^{3x} (3 \cos 2x + 4 \sin 2x)$

(۴) $\frac{1}{9} e^{3x} (3 \cos 2x + 2 \sin 2x)$

۳۸- بست مکلورن تابع $f(x) = e^{x^3}$ ، چقدر است؟

(۱) $\sum_{n=0}^{\infty} \frac{3^n x^{3n+2}}{n!}$

(۲) $\sum_{n=0}^{\infty} \frac{3^n x^2 x^{3n}}{n!}$

(۳) $\sum_{n=0}^{\infty} \frac{x^{3n}}{n!}$

(۴) ۱

۳۹- مساحت بین منحنی $f(x) = x^2 - 3x$ و محور x ها در بازه $(1, 2)$ ، چقدر است؟

(۱) $\frac{13}{6}$

(۲) $-\frac{17}{6}$

(۳) ۶

(۴) -۶

۴۰- جواب انتگرال معین $\int_0^\pi (f'(x)\cos x + f''(x)\sin x) dx$ ، کدام است؟

(۱) صفر

(۲) $f(\pi) + f(0)$

(۳) $2f'(\pi)$

(۴) $2f(\pi)$

۴۱- اگر دترمینان ماتریس $A = \begin{bmatrix} 3 & 0 & 3 & 5 \\ 4 & 3 & 7 & 0 \\ 1 & 4 & 3 & 2 \\ 6 & 1 & 4 & 4 \end{bmatrix}$ برابر ۳۱۸ باشد، دترمینان ماتریس $B = \begin{bmatrix} 0 & 3 & 6 & 5 \\ 3 & 4 & 14 & 0 \\ 4 & 1 & 6 & 2 \\ 1 & 6 & 8 & 4 \end{bmatrix}$ چقدر است؟

(۱) ۱۵۹

(۲) -۶۳۶

(۳) ۶۳۶

(۴) -۱۵۹

۴۲- حاصل انتگرال $\int_{y=0}^1 \int_{z=0}^{1-y} \int_{x=-\sqrt{y}}^{\sqrt{y}} \frac{\cos y}{\sqrt{y}} dx dy dz$ ، کدام است؟

(۱) $\sin(1) + 1$

(۲) $-\sin(1) - 1$

(۳) $-\cos(1) - 1$

(۴) $\cos(1) + 1$

۴۳- مشتق جزئی نسبت به y در نقطه $(0, 0)$ برای تابع $\frac{1}{x+y} \cos(x+y^3)$ ، چقدر است؟

(۱) در این نقطه مشتق ندارد.

(۲) ۲

(۳) صفر

(۴) $\frac{1}{3}$

۴۴- اگر $f = \cos(xy)$ ، f_{xy} برابر کدام است؟

(۱) $-\sin(xy) + xy \cos(xy)$

(۲) صفر

(۳) $-\sin(xy) - \cos(xy)$

(۴) $-\sin(xy) - xy \cos(xy)$

۴۵- جواب عمومی معادله دیفرانسیل $(y' - 2 \cos x)(2y' + 3y) = 0$ ، کدام است؟

$$(y - 2 \cos x + C_1)(y - \frac{-3}{2}x + C_2) = 0 \quad (1)$$

$$(y - 2 \sin x + C_1)(y - e^{\frac{-3}{2}x + C_2}) = 0 \quad (2)$$

$$(y - \cos 2x + C_1)(y - e^{\frac{-3}{2}x + C_2}) = 0 \quad (3)$$

$$(y - 2 \sin x + C_1)(y - \frac{-3}{2}x + C_2) = 0 \quad (4)$$

۴۶- حاصل عبارت $L^{-1} \left\{ \frac{4-s^2}{\sqrt{s^5}} \right\}$ کدام است؟

$$\frac{16\sqrt{t^{-3}} - 3\sqrt{t^2}}{3\sqrt{\pi}} \quad (2)$$

$$\frac{16\sqrt{t^5} - 3\sqrt{t^2}}{3\sqrt{\pi}} \quad (4)$$

$$\frac{16\sqrt{t^{-5}} - 3\sqrt{t^2}}{3\sqrt{\pi}} \quad (1)$$

$$\frac{16\sqrt{t^3} - 3\sqrt{t^{-1}}}{3\sqrt{\pi}} \quad (3)$$

۴۷- تبدیل لاپلاس تابع $f(t) = e^{2t} \int_0^t x^2 e^{-x} dx$ ، کدام است؟

$$\frac{2}{(s-2)(s-1)} \quad (2)$$

$$\frac{2}{(s-2)(s-2)} \quad (4)$$

$$\frac{2}{(s-2)(s-1)^3} \quad (1)$$

$$\frac{2}{(s-2)(s-2)^3} \quad (3)$$

۴۸- تبدیل لاپلاس جواب معادله دیفرانسیل $y'' + 2y = f(t)$ با شرایط اولیه زیر، کدام است؟

$$f(t) = \begin{cases} 1 & 0 \leq t \leq 1 \\ 0 & 1 \leq t \leq \infty \end{cases}$$

$$(y(0) - 1 = y'(0) = 0)$$

$$\frac{s}{s^2+2} + \frac{1-e^{-s}}{s+2} \quad (1)$$

$$\frac{s}{s^2+2} + \frac{1-e^{-s}}{s^2+2} \quad (2)$$

$$\frac{s}{s^2+2} + \frac{1-e^{-s}}{s(s^2+2)} \quad (3)$$

$$\frac{1}{s^2+2} + \frac{1-e^{-s}}{s(s^2+2)} \quad (4)$$

۴۹- جواب عمومی معادله دیفرانسیل $y'' - 2y' + 2y = 0$ کدام است؟

(۱) $e^x (c_1 \sin(x) + c_2 \cos(x))$

(۲) $e^x (c_1 \sin(2x) + c_2 \cos(2x))$

(۳) $e^{-x} (c_1 \sin(x) + c_2 \cos(x))$

(۴) $e^{2x} (c_1 \sin(2x) + c_2 \cos(2x))$

۵۰- با توجه به رابطه $Z^3 - 4Z = 0$ ، کدام گزینه درست است؟

(۱) معرف صفحات $Z = -2$ ، $Z = 2$ و $Z = 0$ و موازی صفحه ZY است.

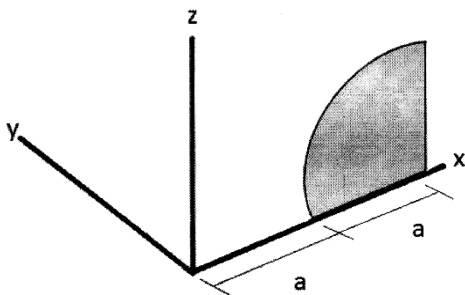
(۲) معرف صفحات $Z = -2$ ، $Z = 2$ و $Z = 0$ و موازی صفحه XY است.

(۳) معرف صفحات $Z = -2$ ، $Z = 2$ و $Z = 0$ و عمود بر صفحه XY است.

(۴) معرف صفحات $Z = 2$ و $Z = 0$ و موازی صفحه XZ است.

استاتیک، دینامیک و مقاومت مصالح:

۵۱- حجم ناشی از دوران سطح ربع دایره نشان داده شده در شکل، حول محور Z ها تحت زاویه 30° چقدر است؟



(۱) $V = \frac{-\pi a^3}{36} (3\pi + 2)$

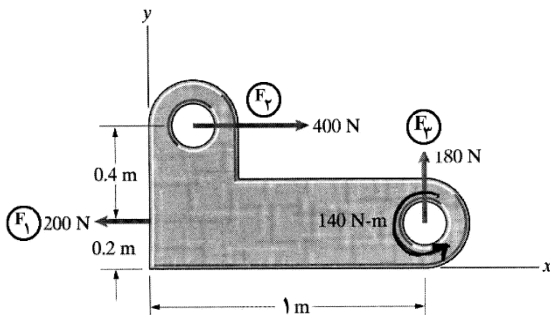
(۲) $V = \frac{-\pi a^3}{36} (3\pi - 2)$

(۳) $V = \frac{\pi a^3}{36} (3\pi + 2)$

(۴) $V = \frac{\pi a^3}{36} (3\pi - 2)$

۵۲- به قطعه روبه‌رو، یک گشتاور و سه نیرو وارد می‌شود. اگر این سیستم نیرویی را با نیروی تکی F جایگزین نماییم،

امتداد نیروی F در چه موقعیتی بر حسب متر با محور X برخورد می‌نماید؟



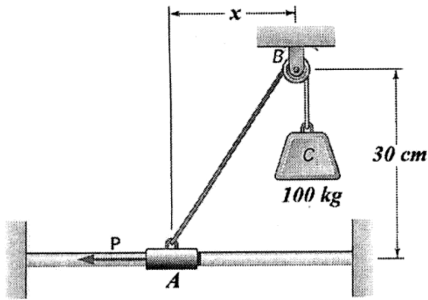
(۱) $\frac{8}{3}$

(۲) $\frac{10}{3}$

(۳) $\frac{2}{3}$

(۴) $\frac{1}{3}$

۵۳- در بارگذاری روبه‌رو، وزنه C توسط کابل CB و قرقره B ثابت نگه داشته است. اگر مقدار P معادل ۸۰ کیلوگرم باشد، مقدار x چند سانتی‌متر می‌باشد؟



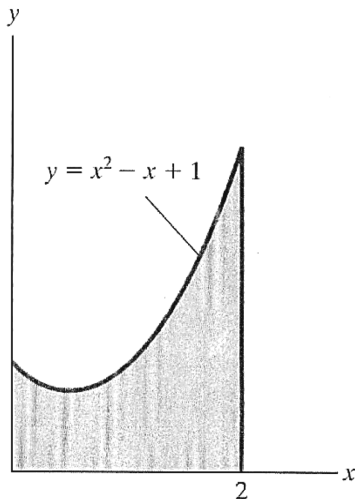
(۱) $40 \frac{\sqrt{3}}{3}$

(۲) $15\sqrt{3}$

(۳) ۵۰

(۴) ۴۰

۵۴- در شکل روبه‌رو، مختصات طولی مرکز سطح (\bar{x}) نشان داده شده، کدام است؟



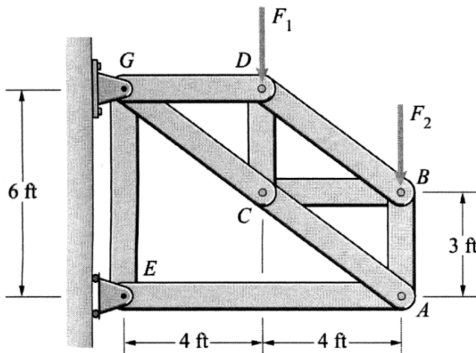
(۱) ۱

(۲) ۱/۲۵

(۳) ۱/۳

(۴) ۱/۵

۵۵- در خرابی نشان داده شده، F_1 برابر با ۶۰۰ پوند و F_2 برابر با ۳۰۰ پوند است. مقدار نیروی محوری در عضو AE چند پوند است؟



AE چند پوند است؟

(۱) ۸۰۰ فشاری

(۲) ۸۰۰ کششی

(۳) ۱۶۰۰ فشاری

(۴) ۱۶۰۰ کششی

۵۶- زاویه بین دو بردار نیروی $\vec{A} = \vec{i} + \vec{j}$ و $\vec{B} = \vec{j} + \vec{k}$ ، چند رادیان است؟

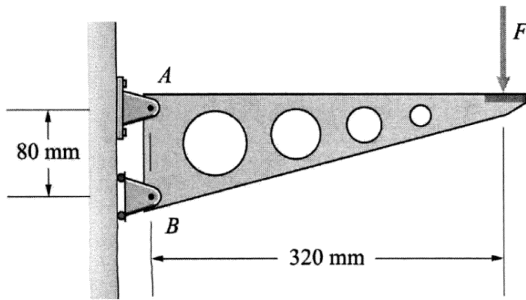
(۱) $\frac{\pi}{2}$

(۲) $\frac{\pi}{4}$

(۳) $\frac{\pi}{6}$

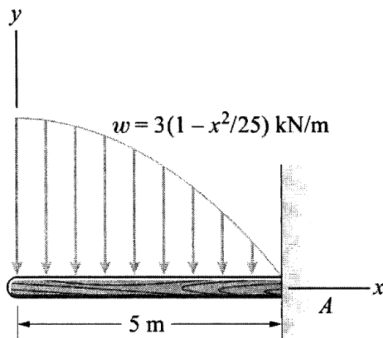
(۴) $\frac{\pi}{3}$

۵۷- در شکل زیر، مقدار مؤلفه افقی نیروی عکس‌العمل تکیه‌گاه A بر اثر اعمال نیروی $F = 400 \text{ N}$ ، چند نیوتن است؟



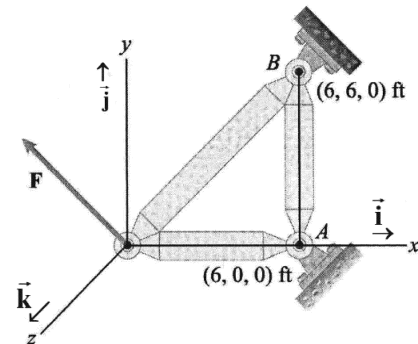
- (۱) ۸۰۰
- (۲) ۱۰۰۰
- (۳) ۱۲۰۰
- (۴) ۱۶۰۰

۵۸- در تیر نمایش داده شده تحت بار گسترده w ، مؤلفه عمودی نیروی تکیه‌گاهی A، بر حسب کیلونیوتن کدام است؟



- (۱) ۵
- (۲) ۱۰
- (۳) ۱۵
- (۴) ۲۰

۵۹- به شکل زیر نیروی $\vec{F} = -10\vec{i} + 5\vec{j} - 5\vec{k}$ بر حسب کیلوپوند وارد می‌شود. بردار گشتاور نیروی F در راستای



خط AB بر حسب کیلوپوند فوت کدام است؟

- (۱) $+60\vec{j}$
- (۲) $-60\vec{j}$
- (۳) $+30\vec{j}$
- (۴) $-30\vec{j}$

۶۰- یک ذره با شتاب $a = -2V \frac{m}{s^2}$ روی یک مسیر مستقیم حرکت می‌کند. در صورتی که در $t = 0$ ، $s = 0$ و $V_0 = 20 \frac{m}{s}$

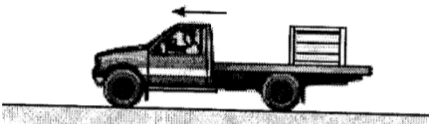
باشد سرعت ذره بر حسب زمان چند متر بر ثانیه است؟

- (۱) $V = 20e^{-2t}$
- (۲) $V = 20e^{-t}$
- (۳) $V = 20$
- (۴) $V = 20t$

۶۱- ضریب اصطکاک استاتیکی بین جعبه و کفی کامیون $\mu_s = 0.2$ و جرم جعبه 200 کیلوگرم است. کوتاه‌ترین زمان

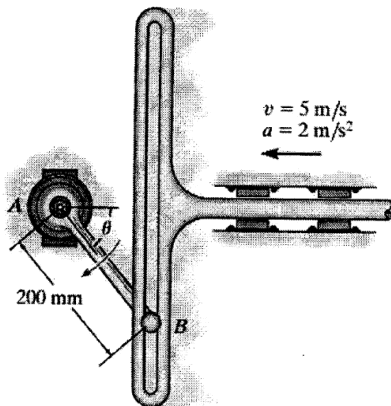
برای کامیون برای اینکه از حالت سکون با شتاب ثابت به سرعت $72 \frac{km}{h}$ برسد به نحوی که جعبه هم نلغزد چند

ثانیه است؟ $(g = 10 \frac{m}{s^2})$



- (۱) ۵
- (۲) ۱۰
- (۳) ۱۵
- (۴) ۲۰

۶۲- در زاویه $\theta = 60^\circ$ میله شکاف دار با شتاب $2 \frac{m}{s^2}$ و سرعت $5 \frac{m}{s}$ به طرف چپ حرکت می کند. شتاب زاویه ای میله



AB چند رادیان بر مجذور ثانیه است؟ (α_{AB})

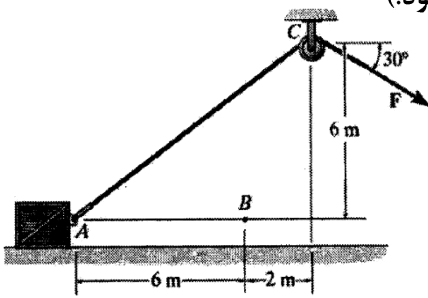
(۱) ۲۳۵ CW

(۲) ۲۳۵ CCW

(۳) ۴۷۰ CW

(۴) ۴۷۰ CCW

۶۳- جعبه ۷۵ کیلوگرمی از حالت سکون در نقطه A شروع به حرکت کرده و در نقطه B سرعت آن به ۶ متر بر ثانیه می رسد. مقدار نیروی ثابت F چند نیوتن است؟ (از اصطکاک صرف نظر شود.)



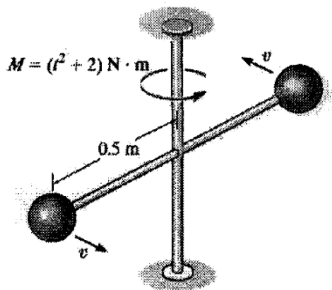
(۱) ۲۸۵

(۲) ۳۲۲

(۳) ۳۶۷

(۴) ۴۲۱

۶۴- در شکل روبه رو هر دو گلوله به جرم 10 کیلوگرم به یک میله با جرم ناچیز متصل بوده و در لحظه $t = 0$ دارای سرعت $V = 2 \frac{m}{s}$ هستند. اگر میله تحت تأثیر گشتاور $M = t^2 + 2 N \cdot m$ قرار گیرد، سرعت گلوله ها در لحظه



$t = 3$ s چند متر بر ثانیه است؟

(۱) ۱

(۲) ۱/۵

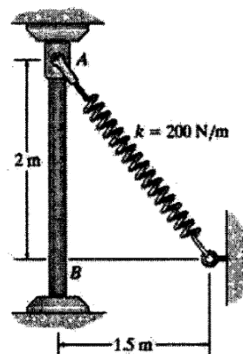
(۳) ۲

(۴) ۳/۵

۶۵- فنر دارای ضریب سختی $k = 200 \frac{N}{m}$ بوده و طول اولیه آن (بدون کشش) 0.5 متر است. این فنر به یک لغزنده

۳ کیلوگرمی متصل و از نقطه A که در ابتدا ساکن بوده است، رها می شود. سرعت لغزنده وقتی که به نقطه B

می رسد، چند متر بر ثانیه است؟ ($g = 10 \frac{m}{s^2}$)



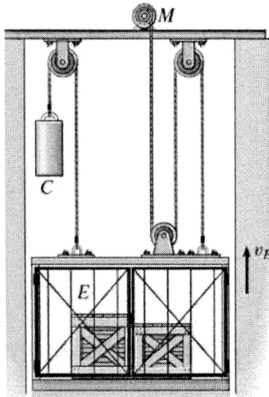
(۱) ۳/۸۸

(۲) ۷/۷۵

(۳) ۱۵/۵

(۴) ۲۱/۲

۶۶- مجموع جرم آسانسور E و بار آن ۴۰۰ کیلوگرم بوده و به وسیله موتور M و بلوک ۶۰ کیلوگرمی C آویزان شده است. اگر موتور دارای بازده $e = 0.6$ باشد، توان مورد نیاز برای موتور به نحوی که آسانسور را با سرعت ثابت



چند کیلووات است؟ $V_E = 4 \frac{m}{s}$ بالا بکشد،

(۱) ۰٫۸

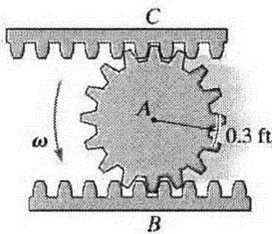
(۲) ۱٫۱

(۳) ۲٫۲

(۴) ۳٫۳

۶۷- چرخ دنده A روی چرخ دنده های شانه ای B و C می غلتند. اگر چرخ دنده B با سرعت $8 \frac{ft}{s}$ به سمت راست و

چرخ دنده C با سرعت $4 \frac{ft}{s}$ به سمت چپ حرکت نمایند، سرعت مرکز چرخ دنده A چند فوت بر ثانیه است؟



(۱) ۲

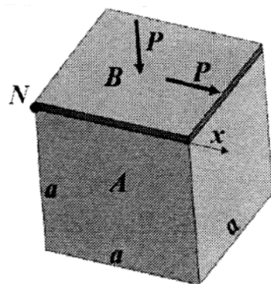
(۲) ۳

(۳) ۴

(۴) ۵

۶۸- مطابق شکل روبه رو، بر مکعب نشان داده شده به ضلع a، دو بار P وارد شده است. اگر نسبت $\frac{E}{G} = \frac{5}{2}$ باشد،

تغییر مکان افقی (در جهت x) نقطه n چقدر است؟ (E مدول یانگ و G مدول برشی هستند).



(۱) $\frac{11}{4} \frac{P}{Ea}$

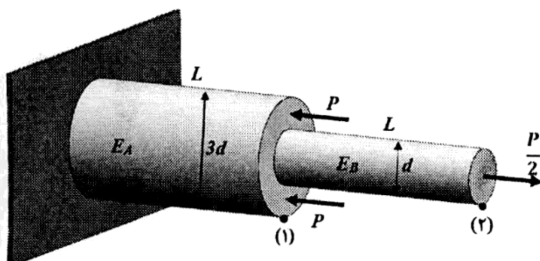
(۲) $\frac{9}{4} \frac{P}{Ea}$

(۳) $\frac{3}{2} \frac{P}{Ea}$

(۴) $\frac{7}{30} \frac{P}{Ea}$

۶۹- در بارگذاری نشان داده شده، اگر تغییر مکان نقطه (۲) برابر صفر باشد، مقدار $\frac{E_A}{E_B}$ چقدر خواهد بود؟

(E مدول یانگ است.)



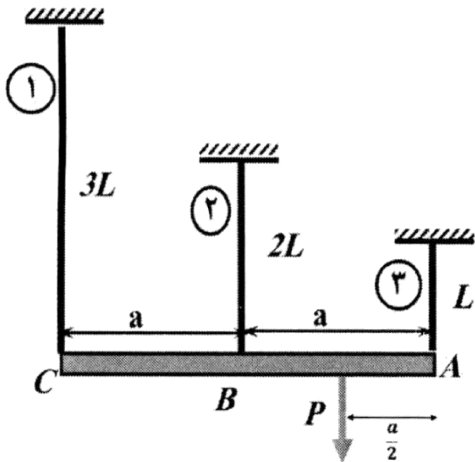
(۱) ۳

(۲) ۲

(۳) $\frac{1}{2}$

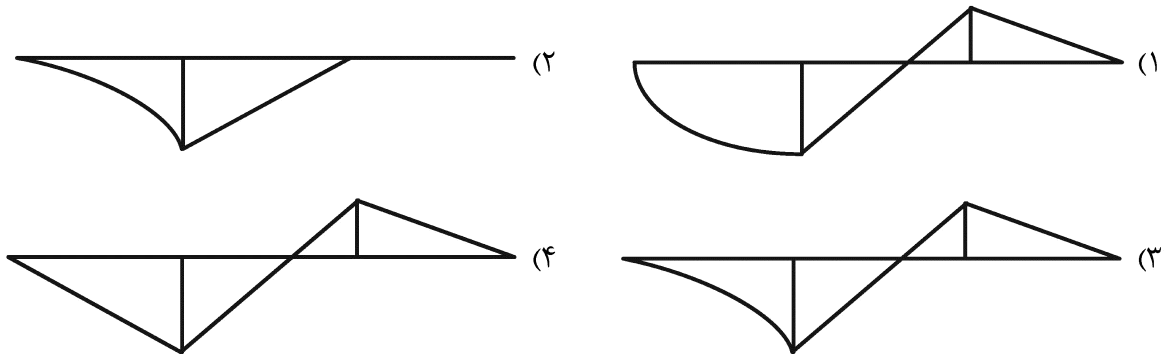
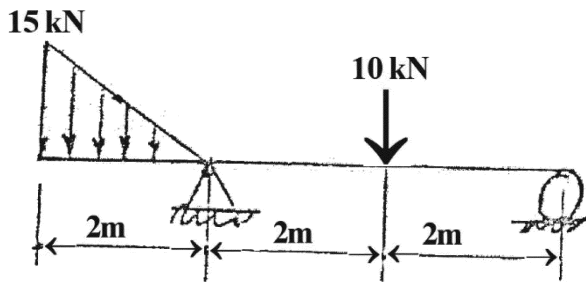
(۴) $\frac{1}{3}$

۷۰- مطابق شکل روبه‌رو، تیر صلب ABC با سه کابل مهار و بار P به فاصله $a/2$ از A وارد شده است. سهم کابل ۱ از نیروی P چقدر است؟

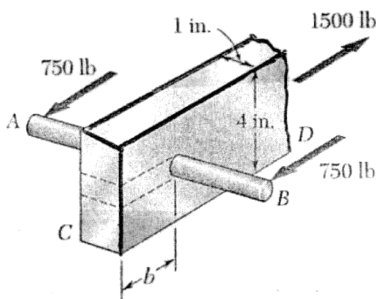


- (۱) $\frac{1}{4}$
- (۲) $\frac{1}{8}$
- (۳) $\frac{1}{3}$
- (۴) $\frac{3}{4}$

۷۱- کدام مورد، منحنی تغییرات گشتاور خمشی تیر زائده‌دار شکل روبه‌رو است؟

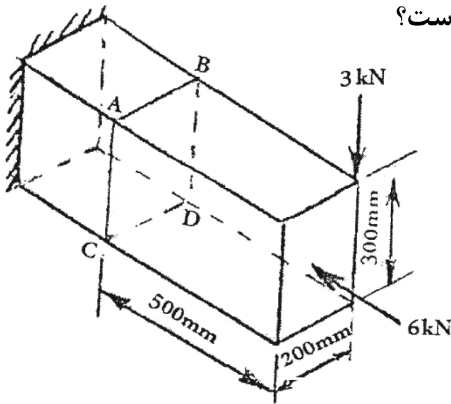


۷۲- میله فولادی AB به قطر یک اینچ در سوراخی در نزدیکی سر C عضو چوبی CD جا زده می‌شود. با فرض بارگذاری مطابق شکل، تنش قائم و ماکزیمم در چوب و تنش تکیه‌گاهی میانگین وارد بر چوب به ترتیب چند psi هستند؟



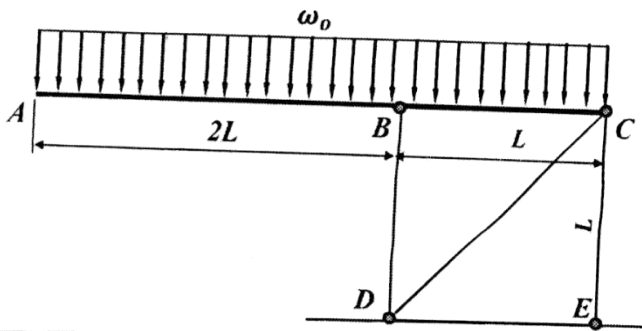
- (۱) ۵۰۰ و ۱۵۰۰
- (۲) ۴۵۰ و ۱۴۰۰
- (۳) ۶۰۰ و ۱۵۵۰
- (۴) ۴۰۰ و ۱۶۰۰

۷۳- به انتهای تیر یک سر درگیر شکل زیر، نیروی عمودی ۳ kN و نیروی محوری ۶ kN وارد شده است. در طول AC، در چه فاصله‌ای (برحسب میلی‌متر) از نقطه A تنش عمودی صفر است؟



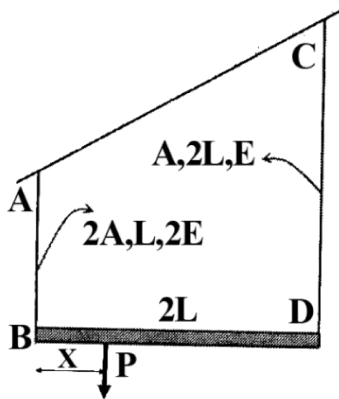
- (۱) ۱۲۰
(۲) ۱۳۵
(۳) ۱۶۵
(۴) ۱۸۰

۷۴- تغییر مکان نقطه A در میله صلب ABC چقدر است؟ (E مدول یانگ است.)



- (۱) $\frac{17 \omega_0 L^2}{3 EA}$
(۲) $\frac{33 \omega_0 L^2}{2 EA}$
(۳) $\frac{21 \omega_0 L^2}{4 EA}$
(۴) $\frac{27 \omega_0 L^2}{2 EA}$

۷۵- مقدار x در بارگذاری نشان داده شده، چقدر باشد تا میله صلب BD در حالت افقی باقی بماند؟



- (۱) $\frac{2}{7}L$
(۲) L
(۳) $\frac{9}{4}L$
(۴) $\frac{2}{9}L$

طراحی اجزاء ماشین و طراحی ماشین‌های کشاورزی:

- ۷۶- در ارتباط با تنش برشی ایجاد شده در یک فنر تحت فشار، کدام گزینه درست است؟
 (۱) با طول فنر رابطه معکوس دارد.
 (۲) با نیروی محوری اعمالی به فنر رابطه عکس دارد.
 (۳) با قطر سیم فنر رابطه مستقیم دارد.
 (۴) با قطر فنر رابطه مستقیم دارد.
- ۷۷- رابطه تنش حد دوام (حد تحمل σ یا S'_e) در آزمایش نمونه تیر چرخان نسبت به S_e مربوط به قطعه، چگونه است؟
 (۱) بدون ارتباط
 (۲) همیشه مساوی
 (۳) کوچک‌تر
 (۴) بزرگ‌تر

- ۷۸- مرکز جرم یک گروه چهارتایی که در رئوس یک مربع قرار دارند کجا واقع می شود؟
 (۱) در صفحه موازی با صفحه مربع قرار دارد.
 (۲) محل برخورد دو قطر
 (۳) روی یکی از رئوس مربع
 (۴) بستگی به نوع بارگذاری دارد.
- ۷۹- کدام جوشکاری از نوع مقاومتری است؟
 (۱) جوش کاربیت
 (۲) درز جوش
 (۳) جوش با سیم روپوش دار
 (۴) جوش قلع
- ۸۰- در تسمه های V شکل، هر چه پولی بزرگ تر باشد، کدام مورد درست است؟
 (۱) نیروی خمش کاهش می یابد.
 (۲) نیروی خمش افزایش می یابد.
 (۳) نیروی گریز از مرکز کاهش می یابد.
 (۴) نیروی گریز از مرکز افزایش می یابد.
- ۸۱- کدام مورد، از معایب تسمه نسبت به زنجیر در انتقال توان نیست؟
 (۱) عدم امکان کار در دمای بالا
 (۲) تحمل دمای کمتر
 (۳) سرش تسمه
 (۴) صدای کمتر
- ۸۲- بلبرینگ ساچمه ای، بلبرینگ کف گرد و رولر برینگ مخروطی، به ترتیب برای چه نوع بارگذاری مناسب می باشند؟
 (۱) محوری همراه شعاعی - محوری - شعاعی
 (۲) شعاعی - محوری - شعاعی و شعاعی با هم
 (۳) محوری - محوری همراه شعاعی - شعاعی
 (۴) محوری - شعاعی - محوری همراه شعاعی
- ۸۳- وظیفه اصلی واشر فنری در اتصال با پیچ که بار نوسانی به آن وارد می شود چیست؟
 (۱) باعث قفل مهره می شود.
 (۲) دامنه بار نوسانی در پیچ را افزایش می دهد.
 (۳) نیرو را در قطعات اتصال پخش می کند.
 (۴) دامنه بار نوسانی در پیچ را کاهش می دهد.
- ۸۴- کدام اتصال از لحاظ نیروی ارتعاشی بهتر است؟
 (۱) جوش
 (۲) چسب
 (۳) پرچ
 (۴) پیچ
- ۸۵- اگر فنر و کمک فنر به صورت موازی به هم متصل باشند، نیروی کل F و نیروی فنر F_S و نیروی کمک فنر F_D چه رابطه ای دارند؟
 (۱) $F > F_D - F_S$
 (۲) $F > F_S - F_D$
 (۳) $F = F_S + F_D$
 (۴) $F = F_S - F_D$
- ۸۶- شفت انعطاف پذیر در مقابل کدام نیرو، کمترین مقاومت را دارد؟
 (۱) خمش
 (۲) کشش
 (۳) فشار
 (۴) پیچش
- ۸۷- اگر قطعه تحت بار نوسانی باشد برای عمر محدود، از چه معادله جهت محاسبه تنش استفاده می شود؟
 (۱) گودمن اصلاح شده
 (۲) باسکویین
 (۳) سادربرگ
 (۴) گودمن
- ۸۸- کدام مورد، درباره پیچ دوزنقه ای درست نیست؟
 (۱) امکان گرفتن لقی پیچ با مهره
 (۲) ماشین کاری آسان
 (۳) راندمان بالاتر
 (۴) تمیز کردن راحت تر
- ۸۹- در یک سم پاش هیدرولیکی، فشار کار پمپ ۶ اتمسفر و دبی خروجی از نازل ها ۴ لیتر بر دقیقه است. مقدار توان مصرفی پمپ، با فرض راندمان ۵۰ درصدی، چند وات است؟
 (۱) ۲۴
 (۲) ۴۰
 (۳) ۴۸
 (۴) ۸۰

۹۰- در خصوص کارکرد چاپرها، کدام جمله درست است؟

- (۱) افزایش قطر و طول استوانه برش، باعث افزایش توان مصرفی و ظرفیت کاری استوانه برش می‌شود.
- (۲) افزایش دو برابری سرعت پیش‌روی، توان مصرفی استوانه برش را دو برابر می‌کند.
- (۳) بیشترین توان مصرفی چاپرها، در بخش فن (دمنده) است.
- (۴) با افزایش سرعت استوانه هادی و سرعت تیغه‌های برش هد (دماغه)، طول قطعات بریده شده کاهش می‌یابد.

۹۱- در یک دروگر شلاقی (ضربه‌ای)، اگر قطر ساقه گیاه A چهار برابر قطر ساقه مشابه گیاه B باشد (با ثابت فرض کردن سایر شرایط) حداقل سرعت تیغه دروگر برای برش کامل گیاه A، چند برابر سرعت تیغه در برش گیاه B باید باشد؟

- (۱) ۱ (۲) ۲ (۳) ۳ (۴) ۴

۹۲- در طراحی مخزن خطی کارها، اگر ϕ زاویه اصطکاک بذر با صفحه مخزن باشد، آنگاه حداقل زاویه شیب صفحات مخزن با افق، چقدر باید باشد؟

- (۱) $90 - \frac{\phi}{2}$ (۲) $90 - \phi$ (۳) $45 - \phi$ (۴) $45 - \frac{\phi}{2}$

۹۳- زاویه بین تیغه و ضد تیغه، در دروگرهای شانهای به چه چیزی بستگی دارد؟

- (۱) سرعت حرکت تیغه
- (۲) حجم محصول برداشت شده
- (۳) اصطکاک بین گیاه با تیغه و ضد تیغه
- (۴) سرعت پیش‌روی دستگاه

۹۴- کدام گزینه، توان مصرفی چنگه‌های ارتعاشی را نشان می‌دهد؟

- (۱) توان مصرفی چرخ‌های حامل دستگاه - فشرده‌سازی خاک - توان مورد نیاز برای چرخش تیغه‌ها
- (۲) توان مصرفی در برش خاک - فلانچ‌ها - تلفات انتقال توان - توان مصرفی برای پرتاب خاک
- (۳) توان مصرفی در برش خاک - تلفات انتقال توان - توان کششی دستگاه
- (۴) توان مصرفی در اصطکاک تیغه با خاک - اصطکاک خاک با سپر خاک گیر - توان کششی دستگاه

۹۵- در طراحی گاواهن‌های برگردان‌دار، برای آنکه بیشترین حالت پوکی در خاک ایجاد شود، لازم است تا نسبت عمق شخم به عرض آن برابر باشد با:

- (۱) ۲ (۲) $\frac{\sqrt{2}}{2}$

- (۳) $\sqrt{2}$ (۴) $\frac{1}{2}$

۹۶- در یک زمین با پوشش گیاهی زیاد، می‌خواهیم در عمق ۳۰ سانتی‌متر شخم بزنیم، مناسب‌ترین عرض شخم بر حسب سانتی‌متر چقدر است؟

- (۱) $30\sqrt{2}$ (۲) $30 \cdot \frac{\sqrt{2}}{2}$

- (۳) ۳۰ (۴) ۶۰

۹۷- کدام عملیات مکانیکی، توسط یک چنگه دندان ثابت میخی انجام می‌شود؟

- (۱) با اعمال ضربه و نیروی ارتعاشی، خاک را سست می‌کند.
- (۲) شیار شخم را بریده و بلند می‌کند.
- (۳) روی خاشاک و مواد آلی را می‌پوشاند.
- (۴) با اعمال نیروی مکانیکی، سطح خاک را خراش می‌دهد.

۹۸- یک وسیله خاک‌ورز سوار بر یک تراکتور بر روی زمینی شیب‌دار با زاویه شیب θ با سرعت ثابت V و با ضریب اصطکاک غلتشی μ در حال حرکت به سمت بالای سطح شیب‌دار است. اگر جرم مجموعه خاک‌ورز و تراکتور را دو برابر نماییم، توان مصرفی تراکتور، برای بالا رفتن از سطح شیب‌دار (با فرض ثابت باقی‌ماندن سایر عوامل)، چند برابر می‌شود؟

(۲) ۴

(۱) ۲

(۴) ثابت می‌ماند و تفاوتی ندارد.

(۳) $2\mu \cdot mg \cdot \sin(\theta)$

۹۹- در استوانه برش چاپر، اگر سرعت دوران را دو برابر نماییم، با فرض ثابت باقی‌ماندن سایر عوامل، توان مصرفی برای استوانه برش چند برابر می‌شود؟

(۴) ۴

(۳) ۳

(۲) ۲

(۱) ۱

۱۰۰- اگر ارزش حرارتی گازوئیل 36000 کیلو ژول بر لیتر و راندمان تبدیل انرژی حرارتی سوخت یک موتور تراکتور دیزلی به مالبندها 33% درصد فرض کنیم. حال اگر با چنین تراکتوری در خاک مسطحی با ضریب مقاومت مخصوص 6 کیلو پاسکال و با گاوآهنی در عمق 20 سانتی‌متر و عرض کار 5 متر شخم بزنیم، مقدار سوخت مصرفی برای شخم زدن در یک هکتار چند لیتر است؟

(۴) ۳

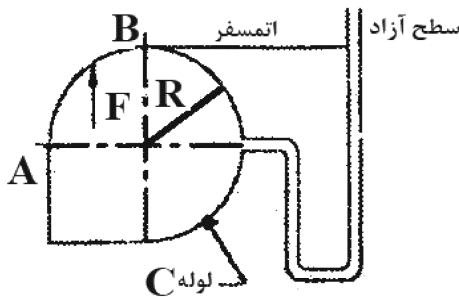
(۳) ۲

(۲) ۱

(۱) 0.33

مکانیک سیالات و ترمودینامیک:

۱۰۱- در لوله C و مانومتر متصل به آن سیالی به وزن مخصوص γ ریخته شده است. نیروی قائم وارد بر قوس AB برای واحد طول لوله C چقدر است؟



(۱) $2\gamma R^2$

(۲) $\gamma R^2 (1 - \frac{\pi}{4})$

(۳) $\gamma R^2 \frac{\pi}{4}$

(۴) $\gamma R^2 (1 + \frac{\pi}{4})$

۱۰۲- در مورد جریان‌های کاملاً توسعه یافته در لوله‌ها، کدام مورد درست است؟

(۲) در ابتدای ورودی لوله‌ها اتفاق می‌افتند.

(۱) اغلب لایه‌های هستند.

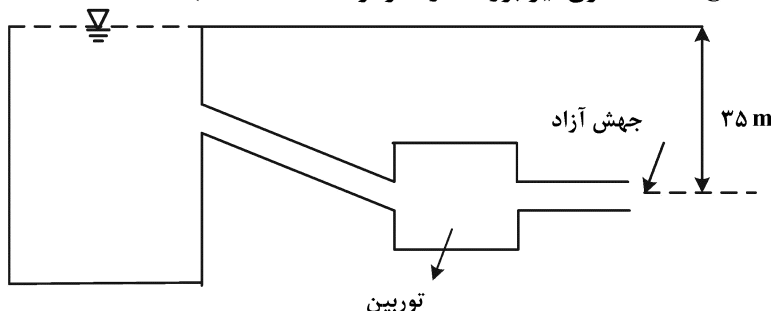
(۴) وضعیت سرعت جریان در طول لوله متغیر است.

(۳) وضعیت سرعت جریان در عرض لوله متغیر است.

۱۰۳- مطابق شکل آب با دبی $4 \frac{m^3}{s}$ داخل لوله‌ای به مساحت $0.4 m^2$ جریان دارد. اگر راندمان توربین 80% درصد باشد،

توان خروجی چند کیلو وات است؟

(ارتفاع معادل اتلاف انرژی 10 متر و $g = 10 \frac{m}{s^2}$ است. مخزن نیز بزرگ در نظر گرفته شده است.)



(۱) ۶۴

(۲) ۶۴۰

(۳) ۸۰۰

(۴) ۹۶۰

۱۰۴- یک مکعب به ضلع ۲ سانتی متر و وزن ۴ نیوتن روی سطح شیب داری که با افق زاویه 30° می سازد، قرار دارد. بین مکعب و سطح، یک لایه روغنی به ضخامت 25×10^{-6} میلی متر وجود دارد و مکعب با سرعت ثابت ۲۵ متر بر ثانیه حرکت می کند. لزجت دینامیکی روغن چند نیوتن ثانیه بر مترمربع است؟

- (۱) 2×10^{-5} (۲) 2×10^{-6} (۳) 5×10^{-6} (۴) 5×10^{-5}

۱۰۵- کدام مورد درست است؟

(۱) در سیالات غیرنیوتنی مقدار n در رابطه $\tau = k \left(\frac{du}{dy}\right)^n$ بزرگ تر از یک است.

(۲) در سیالات شبه پلاستیکی لزجت دینامیکی با افزایش گرادیان سرعت کاهش می یابد.

(۳) در تحلیل سیال ایده آل باید لزجت و اثرات مربوط به آن در نظر گرفته شود.

(۴) در سیالات نیوتنی لزجت دینامیکی در فشار و دمای معین با افزایش نرخ کرنش برشی افزایش می یابد.

۱۰۶- اصل پیوستگی براساس کدام قانون بقا بنا شده است؟

- (۱) جرم (۲) انرژی (۳) اندازه حرکت (۴) جرم و انرژی

۱۰۷- کدام عدد بی بعد در مسائلی که کشش سطحی مهم است، ظاهر می شود؟

- (۱) اویلر (۲) رینولدز (۳) ماخ (۴) وبر

۱۰۸- چنانچه افت فشار در لوله تابعی از قطر (D)، چگالی سیال (ρ)، سرعت سیال (V) و لزجت سیال (μ) باشد، تعداد گروه های بی بعد لازم برای به کارگیری قضیه پی باکینگهام چند است؟

- (۱) ۱ (۲) ۲ (۳) ۳ (۴) ۵

۱۰۹- هواپیمایی روی باند فرود، چتر ترمز را در حالی باز می کند که سرعت حرکت v_0 است. بعد از مدت t ثانیه، سرعت بر حسب ضریب درگ (c)، جرم هواپیما (m)، سطح تماس چتر (A) و چگالی هوا (ρ) چقدر است؟ (از مقاومت غلتشی و مقاومت هواپیما در برابر باد صرف نظر شود).

(۱) $\frac{mv_0}{m + cpAtv_0}$ (۲) $\frac{mv_0}{m - cpAtv_0}$

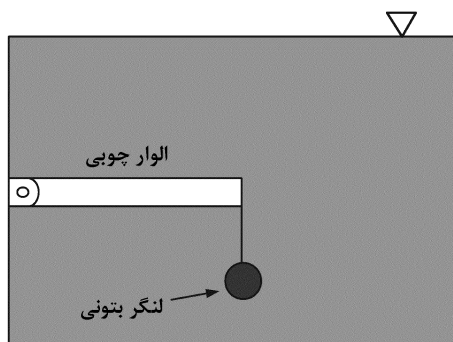
(۳) $\frac{2m v_0}{2m + cpAtv_0}$ (۴) $\frac{2m v_0}{2m - cpAtv_0}$

۱۱۰- یک میدان جریان توسط $u = y - 1$ و $v = y - 2$ مشخص شده است. که u و v سرعت بر حسب متر بر ثانیه و x و y فاصله بر حسب متر هستند. معادله خط جریانی که از نقطه $(x, y) = (4, 3)$ می گذرد، کدام است؟

(۱) $x = y + \ln(y - 2) + 1$ (۲) $x = y + \ln(y - 2)$

(۳) $x = y + 2 \ln(y - 2) + 1$ (۴) $x = y + 2 \ln(y - 2)$

۱۱۱- مطابق شکل، کمینه حجم لنگر بتونی چند مترمکعب باشد تا الوار چوبی با چگالی 500 کیلوگرم بر مترمکعب و ابعاد $2 \times 0.5 \times 0.4$ متر در حالت افقی بماند؟ (چگالی لنگر 2500 کیلوگرم بر مترمکعب، چگالی آب 1000 کیلوگرم بر مترمکعب و شتاب ثقل 10 متر به مجذور ثانیه است).



(۱) $\frac{2}{5}$

(۲) $\frac{2}{5}$

(۳) $\frac{1}{15}$

(۴) $\frac{1}{15}$

۱۱۲- جسمی تحت شرایط استاندارد با سرعت ۱۰ متر بر ثانیه در هوا حرکت می‌کند. فشار نسبی در نقطه سکون این

جسم چند پاسکال است؟ $(\rho = 1 \frac{\text{kg}}{\text{m}^3} \text{ هوا})$



(۱) صفر

(۲) ۵۰

(۳) ۶۰

(۴) ۱۰۰

۱۱۳- جریان گاز ایده‌آلی به صورت یکنواخت در فشار ۱۰ اتمسفر و دمای ۴۰۰K وارد یک نازل شده و در دمای

۲۰۰K و فشار ۱۵ اتمسفر نازل را ترک می‌کند. سرعت خروجی از نازل چند متر بر ثانیه است؟

(سرعت ورودی ناچیز است و $C_p = 0.4 \frac{\text{kJ}}{\text{kg.K}}$)

(۴) ۴۰۰

(۳) ۳۰۰

(۲) ۲۰۰

(۱) ۱۰۰

۱۱۴- یک سیستم حاوی یک گاز ایده‌آل با جرم معینی در فشار P و حجم V می‌باشد. این گاز در حجم ثابت حرارت

داده می‌شود تا دمای آن دو برابر شود. سپس در فشار ثابت حرارت از دست می‌دهد تا دمای آن به دمای اولیه‌اش

برسد. کار انجام شده کل کدام است؟

(۴) PV

(۳) $\frac{1}{2}PV$

(۲) ۲PV

(۱) ۴PV

۱۱۵- ضریب عملکرد یک یخچال ۴۰٪ مقدار سیکل کارنو است. دمای محیط ۳۰°C و دمای درون یخچال ۱۰°C-

است. در صورتی که ۲۶۳۰۰ kJ انرژی حرارتی در روز از داخل یخچال گرفته شود. کار انجام شده چند کیلو ژول

در روز است؟

(۲) ۱۰۰۰۰

(۱) ۱۵۷۸۰

(۴) ۱۰۵۲۰

(۳) ۲۶۳۰

۱۱۶- اگر طی فرآیندی در دما و حجم ثابت، ضریب تراکم‌پذیری از ۰/۸ به ۰/۹ تغییر کند، فشار چند درصد افزایش پیدا می‌کند؟

(۲) ۱۰/۵

(۱) ۱۰

(۴) ۱۲/۵

(۳) ۱۲

۱۱۷- یک گاز ایده‌آل در دمای ۷۲۷°C و فشار ۲۰۰ kPa در یک خط لوله جریان دارد. شیر متصل به یک مخزن کاملاً

عایق حرارتی و خالی به حجم ۲ m^۳ باز می‌شود تا فشار مخزن با فشار خط لوله برابر شود. اگر برای گاز

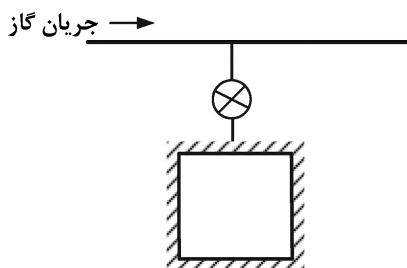
$k = \frac{C_p}{C_p} = 1.3$ باشد، دمای نهایی مخزن چند درجه سلسیوس خواهد شد؟

(۱) ۷۲۷

(۲) ۱۰۰۰

(۳) ۱۰۲۷

(۴) ۱۳۰۰



۱۱۸- در شرایط پایا و بدون انتقال حرارت، کدام گزینه در مورد تغییر آنتروپی در جهت جریان یک گاز کامل درست است؟

(۲) ثابت می‌ماند.

(۱) افزایش می‌یابد.

(۴) براساس قوانین ترمودینامیک نمی‌توان اظهار نظر کرد.

(۳) کاهش می‌یابد.

۱۱۹- یک کیلوگرم هوا با دمای $2T$ کلوین با دو کیلوگرم هوا با دمای T کلوین در داخل یک پیستون مخلوط می‌شوند. مقدار آنتروپی تولید شده چقدر خواهد بود؟ ظرفیت گرمایی ویژه هوا در فشار ثابت را برابر یک کیلوژول بر کیلوگرم کلوین در نظر بگیرید.

$$\begin{aligned} \text{Ln} \frac{32}{27} \quad (2) & \qquad \qquad \qquad \text{Ln} \frac{9}{16} \quad (1) \\ \text{Ln} \frac{16}{9} \quad (4) & \qquad \qquad \qquad \text{Ln} \frac{27}{32} \quad (3) \end{aligned}$$

۱۲۰- یک تانکر صلب عایق حاوی مقدار مشخصی گاز ارگون در دمای T است. اگر سوپاپ تانکر باز شده و نصف گاز خارج شود، دمای تانکر کدام خواهد بود؟ (نسبت گرمایی ویژه در فشار ثابت به حجم ثابت برابر k است.)

$$\begin{aligned} \frac{4-k}{2+k} T \quad (2) & \qquad \qquad \qquad \frac{2+k}{4-k} T \quad (1) \\ \frac{2-k}{4+k} T \quad (4) & \qquad \qquad \qquad \frac{4+k}{2-k} T \quad (3) \end{aligned}$$

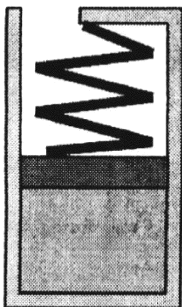
۱۲۱- یک مجموعه پیستون - سیلندر از طریق یک سوپاپ به خط لوله گاز ایده آل با دمای T متصل است. اگر سوپاپ باز شده و مقداری گاز وارد پیستون شود، دمای نهایی گاز داخل پیستون چقدر خواهد بود؟

$$T \quad (4) \qquad \qquad \qquad 0.5T \quad (3) \qquad \qquad \qquad 2T \quad (2) \qquad \qquad \qquad 1.5T \quad (1)$$

۱۲۲- یک بالون کروی دارای مقدار مشخصی گاز ایده آل در دمای T_1 ، فشار P_1 و حجم ویژه v_1 است. اگر بالون را گرم کنیم تا به دمای T_2 ، فشار P_2 حجم ویژه v_2 و برسد مقدار گرمای منتقل شده به بالون چه ضریبی از افزایش دما خواهد بود؟ (C_{pO} و C_{vO} به ترتیب ظرفیت گرمایی حجم ثابت و فشار ثابت گاز می‌باشند.)

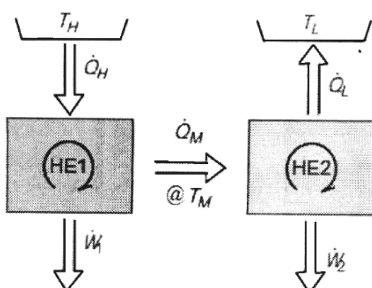
$$\begin{aligned} C_{pO} + 0.75R \quad (2) & \qquad \qquad \qquad C_{pO} + 1.33R \quad (1) \\ C_{vO} + 1.33R \quad (4) & \qquad \qquad \qquad C_{vO} + 0.75R \quad (3) \end{aligned}$$

۱۲۳- اگر فشار اولیه گاز داخل پیستون برابر با P_1 و حجم آن برابر V_1 باشد و پس از رها کردن فنر فشار به P_2 و حجم به V_2 برسد، مقدار کار انجام شده توسط پیستون چقدر خواهد بود؟



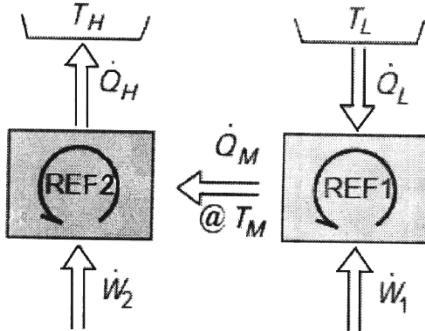
$$\begin{aligned} \frac{1}{2}(P_1 + P_2)(V_2 - V_1) \quad (1) \\ \frac{1}{2}(P_1 - P_2)(V_2 + V_1) \quad (2) \\ P_1(V_2 - V_1) \quad (3) \\ P_2(V_2 - V_1) \quad (4) \end{aligned}$$

۱۲۴- یک ترکیبی از دو پمپ حرارتی به مانند شکل زیر وجود دارد. اگر بازده حرارتی پمپ حرارتی اول و دوم به ترتیب برابر η_1 و η_2 باشد، بازده حرارتی مجموعه کدام خواهد بود؟



$$\begin{aligned} \eta_2 + \eta_1(1 - \eta_2) \quad (1) \\ \eta_1 + \eta_2(1 - \eta_1) \quad (2) \\ \eta_1 + \eta_2(1 - \eta_1) \quad (3) \\ \eta_2 + \eta_2(1 - \eta_1) \quad (4) \end{aligned}$$

۱۲۵- یک ترکیبی از دو یخچال به مانند شکل زیر وجود دارد. اگر ضریب عملکرد یخچال‌های اول و دوم به ترتیب برابر β_1 و β_2 باشد، بازده حرارتی مجموعه کدام خواهد بود؟



$$(1) \frac{\beta_2}{1 + \beta_1}$$

$$(2) \frac{\beta_1(1 + \beta_2)}{\beta_2}$$

$$(3) \frac{\beta_2(1 + \beta_1)}{\beta_1}$$

$$(4) \frac{\beta_1}{1 + \beta_2}$$

ابزار اندازه‌گیری:

۱۲۶- تغییر شرایط محیطی باعث ایجاد کدام خطاها در ابزار اندازه‌گیری می‌شود؟

- (۱) بایاس و حساسیت
 (۲) دینامیک و بایاس
 (۳) دینامیک و استعمال
 (۴) استعمال و حساسیت

۱۲۷- مقدار بیشینه توان یک وسیله چه موقع قابل دسترسی است؟

- (۱) امپدانس داخلی وسیله بی‌نهایت باشد.
 (۲) امپدانس داخلی وسیله با امپدانس بار خارجی برابر باشد.
 (۳) امپدانس داخلی وسیله کوچک‌تر از امپدانس بار خارجی باشد.
 (۴) امپدانس داخلی وسیله بزرگ‌تر از امپدانس بار خارجی باشد.

۱۲۸- کدام گزینه جزء مشخصه‌های عملکرد دینامیکی ابزارهای اندازه‌گیری مرتبه اول یا مرتبه دوم محسوب نمی‌شود؟

- (۱) ثابت زمانی
 (۲) فرکانس طبیعی
 (۳) نسبت میرایی
 (۴) پهنای مَرده

۱۲۹- داده‌های حاصل از اندازه‌گیری وزن سیب‌های یک درخت از یک باغ توسط یک شخص و یک ترازو چه نوع داده‌ای محسوب می‌شود؟

- (۱) تک‌نمونه‌ای
 (۲) چندنمونه‌ای
 (۳) نرمال
 (۴) تک‌نمونه‌ای نرمال

۱۳۰- کدام مورد اساس کار فشارسنج بریچمن است؟

- (۱) تغییر ولتاژ در اثر فشار
 (۲) تغییر مقاومت در اثر فشار
 (۳) تغییر دما در اثر فشار
 (۴) تغییر جریان در اثر فشار

۱۳۱- در اندازه‌گیری دبی جرمی مواد انتقالی به وسیله تسمه نقاله، قسمتی از تسمه نقاله به طول ۸۰ سانتی‌متر روی یک لودسل قرار گرفته است که مقدار متوسط ۴۰ نیوتن را نشان می‌دهد. اگر سرعت تسمه نقاله ۱/۵ متر بر ثانیه

باشد، دبی جرمی چند کیلوگرم بر ثانیه است؟ $\left(g = 10 \frac{m}{s^2}\right)$

(۱) ۳ (۲) ۴/۸

(۳) ۷/۵ (۴) ۱۲/۴

۱۳۲- کدام مورد درست است؟

- (۱) خطاهای تجمعی در هر سری از اندازه‌گیری‌ها از قانون توزیع نرمال تبعیت می‌کنند.
- (۲) به‌منظور حصول ثبات در یک آزمایش، عدم قطعیت داخلی باید تا حد امکان کوچک باشد.
- (۳) به‌منظور جلوگیری از بارگذاری مدار تحت آزمایش، امپدانس ورودی ولت‌متر باید خیلی پایین باشد.
- (۴) صحت در اندازه‌گیری‌ها با دقت مرتبط است نه با تنظیم

۱۳۳- واسنجی ابزارهای اندازه‌گیری به‌منظور حذف کدام نوع خطا انجام می‌شود؟

- (۱) تجمعی و تصادفی
- (۲) ناخالص
- (۳) تجمعی
- (۴) تصادفی

۱۳۴- کدام ابزار دارای خروجی خنثی است؟

- (۱) ترازوی شانه‌ای
- (۲) نورسنج یک دوربین
- (۳) فشارسنج بوردون
- (۴) مانومتر جیوه‌ای

۱۳۵- کدام مورد درست است؟

- (۱) توانایی تولید مجدد و ثبات ابزار اندازه‌گیری عبارتی هستند که تنظیم اندازه‌گیری را به بهترین نحو بیان می‌کنند.
- (۲) حصول اندازه‌گیری با تنظیم بالا که دقیق نباشد، امکان‌پذیر نیست.
- (۳) خطای بایاس ابزار اندازه‌گیری به خطاهای تصادفی ابزار مربوط است.
- (۴) خطا و عدم قطعیت عبارات مترادفی هستند.

۱۳۶- یک میلی‌ولت‌متر دارای محدوده ۰ تا ۱۰۰۰ میلی‌ولت و دقت ۵ درصد انحراف از مقیاس کامل (Full scale deviation) است. اگر ولتاژ ورودی به این ولت‌متر ۴۰۰ میلی‌ولت باشد، خروجی آن چند میلی‌ولت خواهد بود؟

- (۱) ۳۹۸
- (۲) بین ۳۹۵ و ۴۰۵
- (۳) ۴۰۲
- (۴) بین ۳۹۸ و ۴۰۲

۱۳۷- کدام مورد خطای صفر یک ریزسنج است؟

- (۱) ابزاری
- (۲) تصادفی
- (۳) بارگذاری
- (۴) ناخالص

۱۳۸- یک فشارسنج بوردون با کالیبراسیون خطی، یک نشانگر به طول ۲ میلی‌متر دارد که روی یک صفحه مدرج دایروی به کمان 270° حرکت می‌کند. این فشارسنج محدوده فشار ۰ تا ۱۵ بار را نشان می‌دهد. حساسیت فشارسنج چند میلی‌متر بر بار است؟

- (۱) $\frac{1}{9} \pi \Gamma$
- (۲) $\frac{1}{10} \pi \Gamma$
- (۳) $\frac{1}{5} \pi \Gamma$
- (۴) $\frac{1}{2} \pi \Gamma$

۱۳۹- شعاع یک کره به‌صورت $5 \text{ mm} \pm 0.5$ برآورد شده است. خطای برآورد جرم آن چند درصد است؟

- (۱) ۰/۱
- (۲) ۱
- (۳) ۳
- (۴) ۱۰

۱۴۰- مقاومت حسگر دمای ترمیستور NTC در مقایسه با هادی‌های فلزی چگونه با دما تغییر می‌کند؟

- (۱) به‌طور نمایی کاهش می‌یابد.
- (۲) به‌طور نمایی افزایش می‌یابد.
- (۳) به‌طور خطی افزایش می‌یابد.
- (۴) به‌طور خطی کاهش می‌یابد.

- ۱۴۱- کدام پدیده انتشار صوت با طول موج کوتاه و فرکانس بالا به هنگام نزدیک شدن منبع صوتی به ناظر و با طول موج بلند و فرکانس پایین به هنگام دور شدن منبع صوتی از ناظر را بیان می‌کند؟
- (۱) فراصوت
(۲) رزونانس
(۳) زنش
(۴) داپلر
- ۱۴۲- کدام مورد دارای خاصیت تولید emf هنگام اعمال کرنش مکانیکی به آن است؟
- (۱) پلاستیک ترموست
(۲) هادی فلزی
(۳) ماده پیزوالکتریک
(۴) ماده کرنش سنج
- ۱۴۳- کدام مورد بیانگر اساس کار LVDT است؟
- (۱) القای متقابل متغیر
(۲) مقاومت متغیر
(۳) خودالقای متغیر
(۴) ظرفیت متغیر
- ۱۴۴- کدام مورد حساس ترین نوع عنصر حسگری برای اندازه‌گیری کرنش است؟
- (۱) کرنش سنج نیمه‌هادی
(۲) کرنش مقاومت سیمی
(۳) اکستنسومتر
(۴) مبدل پتانسیومتری
- ۱۴۵- پایه‌های زمانی اسیلوسکوپ‌ها توسط کدام مورد تولید می‌شود؟
- (۱) تقویت کننده عمودی
(۲) آند متمرکز کننده
(۳) همگام‌ساز سیگنال‌های ورودی
(۴) تقویت کننده افقی

