

اگر دانشگاه اصلاح شود مملکت اصلاح می شود.
امام خمینی (ره)

عصر پنج شنبه
۸۵/۱۲/۱۰

جمهوری اسلامی ایران
وزارت علوم، تحقیقات و فناوری
سازمان سنجش آموزش کشور

آزمون ورودی
دوره های کارشناسی ارشد ناپيوسته داخل
سال ۱۳۸۶

مهندسی مواد - نانومواد
«نانوفناوری»
(کد ۱۲۷۳)

نام و نام خانوادگی داوطلب:	شماره داوطلبی:
تعداد سؤال: ۱۹۵	مدت پاسخگویی: ۲۱۰ دقیقه

مواد امتحانی رشته مهندسی مواد - نانومواد «نانوفناوری»، تعداد و شماره سؤالات

ردیف	مواد امتحانی	تعداد سؤال	از شماره	تا شماره
۱	زبان عمومی و تخصصی	۳۰	۱	۳۰
۲	دروس اختصاصی	۲۰	۳۱	۵۰
۳		۳۰	۵۱	۸۰
۴		۲۵	۸۱	۱۰۵
۵	خواص فیزیکی و مکانیکی مواد	۳۰	۱۰۶	۱۳۵
۶	دروس اختیاری	۳۰	۱۳۶	۱۶۵
۷		الکترونیک (۱ و ۲) و الکترومغناطیس مهندسی	۳۰	۱۶۶

اسفند ماه سال ۱۳۸۵

استفاده از ماشین حساب مجاز نمی باشد.

۴۲۰

Part A: Vocabulary and Grammar

Directions: Choose the number of the answer (1), (2), (3), or (4) that best completes the sentence. Then mark your choice on your answer sheet.

- 1- She's not very ----- in the way she treats her children; they may be punished today for something they were rewarded for yesterday!
1) dominant 2) restrictive 3) consistent 4) proportional
- 2- She has the ----- of being one of the few people to have received an honorary degree from the university this year.
1) extraction 2) detection 3) distinction 4) simulation
- 3- Financial ----- on the company are preventing them from employing new staff.
1) resolutions 2) deductions 3) approaches 4) constraints
- 4- The pattern ----- from our analysis of the accident data shows that bad roads are responsible for the majority of accidents.
1) occurring 2) assuming 3) identifying 4) emerging
- 5- The changes to the national health system will be ----- next year; people won't have to worry about long waiting lists for hospitals anymore.
1) converted 2) intervened 3) accompanied 4) implemented
- 6- The course is essentially theoretical in-----, but you'll need some practical work experience before you can apply for the job.
1) process 2) function 3) orientation 4) exploitation
- 7- The report suggests that there has only been a(n) ----- improvement in women's pay over the past few years.
1) ultimate 2) eventual 3) marginal 4) enormous
- 8- She gave me this jumper, which she had ----- herself.
1) knitted 2) knitted it 3) been knitted 4) been knitted it
- 9- The teacher suggested that Ali ----- the lesson at least twice before taking the test.
1) reviews 2) review 3) reviewed 4) reviewing
- 10- He was in such bad shape and asked for my help. It was impossible to -----.
1) refuse 2) refusing 3) refused 4) be refused

Part B: Cloze Test

Directions: Read the following passage and decide which choice (1), (2), (3), or (4) best fits each blank. Then mark your choice on your answer sheet.

Hurricane Floyd, one of the most powerful storms ever (11) ----- in the Atlantic, has pounded the Central Bahamas and set its sights (12) ----- Florida. The storm brought heavy rains and strong winds of up to 200 kph., (13) ----- residents sought refuge in boarded up homes. Forecasters say Floyd is capable of (14) ----- destruction and the states of Florida and Georgia have ordered more than two million people (15) ----- the Atlantic shoreline.

- 11- 1) recoding 2) to record 3) recorded 4) was recorded
- 12- 1) to 2) on 3) in 4) from
- 13- 1) as 2) that 3) whose 4) which
- 14- 1) mass 2) a mass 3) the mass 4) that mass
- 15- 1) evacuated 2) to evacuate 3) for evacuation 4) evacuating

PART C: Reading Comprehension

Directions: Read the following two passages and answer the questions by choosing the best choice (1), (2), (3), or (4). Then mark the correct choice on your answer sheet.

Nanoscience is the study of phenomena and manipulation of material at the nanoscale, in essence an extension of existing sciences into the nanoscale. Nanoscience is the world of atoms, molecules, macromolecules, quantum dots, and macromolecular assemblies, and is dominated by surface effects such as Van der Waals force attraction, hydrogen bonding, electronic charge, ionic bonding, covalent bonding, hydrophobicity, hydrophilicity, and quantum mechanical tunneling, to the virtual exclusion of macro-scale effects such as turbulence and inertia. For example, the vastly increased ratio of surface area to volume opens new possibilities in surface-based science, such as catalysis. The ongoing quest for miniaturization has resulted in tools such as the atomic force microscope (AFM) and the scanning tunneling microscope (STM). Combined with refined processes such as electron beam lithography, these instruments allow us to deliberately manipulate and manufacture nanostructures. Engineered nanomaterials, either by way of a top-down approach (a bulk material is reduced in size to nanoscale pattern) or a bottom-up approach (larger structures are built or grown atom by atom or molecule by molecule), go beyond just a further step in miniaturization. They have broken a size barrier below which quantization of energy for the electrons in solids becomes relevant. The so-called "quantum size effect" describes the physics of electron properties in solids with great reductions in particle size. This does not come into play by going from macro to micro dimensions. However, it becomes dominant when the nanometer size range is reached. Materials reduced to the nanoscale can suddenly show very different properties compared to what they show on a macroscale. For instance, opaque substances become transparent (copper); inert materials become catalysts (platinum); stable materials turn combustible (aluminum); solids turn into liquids at room temperature (gold); insulators become conductors (silicon). A second important aspect of the nanoscale is that the smaller a nanoparticle gets, the larger its relative surface area becomes. Its electronic structure changes dramatically, too. Both effects lead to greatly improved catalytic activity but can also lead to aggressive chemical reactivity. The fascination with nanotechnology stems from these unique quantum and surface phenomena that matter exhibits at the nanoscale, making possible novel applications and interesting materials.

- 16- The example of insulators is given to show -----.
- 1) the possibility of producing silicon
2) how materials act on a macroscale
3) the importance of comparing materials
4) the new properties of materials on a nanoscale
- 17- The surface phenomenon -----.
- 1) is related to ionic bonding
2) is also referred to as the quantum size effect
3) occurs if we go from nanoscales to microscales
4) occurs provided that a material gets larger
- 18- The word "inertia" in line 6 can best be replaced by -----.
- 1) energy
2) division
3) stillness
4) activity
- 19- The process called "miniaturization" -----.
- 1) is used to produce as many as two tools
2) is essentially a top-down approach
3) has resulted in more refined AFM and STM
4) allows to make patterned nanostructures
- 20- According to the passage, nanoscience -----.
- 1) tries to remove all macro-scale materials
2) is primarily aimed at stopping aggressive reactivity
3) is essentially more significant than all existing sciences
4) makes it possible to make both smaller and larger structures
- 21- The word "This" in line 16 refers to -----.
- 1) physics
2) the effect
3) particle size
4) quantum size

- 22- According to the passage, it is true that -----.
- 1) the ideas of Waals dominated nanoscience
 - 2) properties of materials depend on their scale
 - 3) platinum is an engineered inert material
 - 4) catalytic activity is the greatest concern of nanotechnology

Biomolecular Nanotechnology is the term coined for synthetic technology based on the principles and chemical pathways of living organisms, ranging from genetic-engineered microbes to custom-made organic molecules. It encompasses the study, creation, and illumination of the connections between structural molecular biology and molecular nanotechnology, since the development of nano-machinery might be guided by studying the structure and function of the natural nano-machines found in living cells. Bionanotechnology seeks to modify and find technological uses of natural nano-components like the nano-motors of ATP synthase and things like using the scaffold of the enzyme complex of cellulosomes for adding new enzymes to make "nanosomes."

In 1965, Gordon Moore, one of the founders of Intel Corporation, made the astounding prediction that the number of transistors that could be fit in a given area would double every 18 months for the next ten years. This it did and the phenomenon became known as Moore's Law. This trend has continued far past the predicted 10 years until this day, going from just over 2000 transistors in the original 4004 processors of 1971 to over 40,000,000 transistors in the Pentium 4. There has, of course, been a corresponding decrease in the size of individual electronic elements, going from millimeters in the 60's to hundreds of nanometers in modern circuitry.

At the same time, the chemistry, biochemistry, and molecular genetics communities have been moving in the other direction. Over much the same period, it has become possible to direct the synthesis, either in the test tube or in modified living organisms, of larger and larger and more and more complex molecular structures, up to tens or hundreds of nanometers in size. Enzymes are the molecular devices that drive life and in recent years it has both become possible to manipulate the structures and functions of these systems in vivo and to build complex biomimetic analogs in vitro.

Finally, the last quarter of a century has seen tremendous advances in our ability to control and manipulate light. Solid state lasers are now available for less than the price of a hamburger. We can generate light pulses as short as a few femtoseconds ($1\text{fs}=10^{-15}\text{s}$). We can image light with computers. And we can send information almost noiselessly along fiber optics at bandwidths of many gigabytes. Light too has a size and this size is also on the hundred nanometer scale.

Thus now, at the beginning of a new century, three powerful technologies have met on a common scale—the nanoscale—with the promise of revolutionizing both the worlds of electronics and of biology. This new field, which we refer to as biomolecular nanotechnology, holds many possibilities from fundamental research in molecular biology and biophysics to applications in biosensing, biocontrol, genomics, medicine, computing, information storage, and energy conversion.

- 23- In this passage, the author is mainly concerned with -----.
- 1) the technologies resulting in bionanotechnology
 - 2) the range of living organisms in nanoscience
 - 3) the development of nanotechnology in the new century
 - 4) the three principles of biomolecular nanotechnology
- 24- The author mentions Moore to show his contribution to -----.
- 1) the foundation of a big corporation
 - 2) the progress of Intel over 18 months
 - 3) the inclusion of more transistors in an area
 - 4) making predictions about the future of bionanotechnology
- 25- The word "encompasses" in line 3 means -----.
- 1) defines
 - 2) transfers
 - 3) includes
 - 4) compares

- 26- We can understand from the passage that bionanotechnology -----.
- 1) favors smaller sizes in electronics and chemistry
 - 2) is a combination of different technologies
 - 3) can finally make it possible to convert energy
 - 4) is solely concerned with manipulation outside a living body
- 27- Structural molecular biology -----.
- 1) is the study of nano-machinery
 - 2) studies molecules in non-animate things
 - 3) is the focus of study in synthetic technologies
 - 4) forms one of the two constituents of bionanotechnology
- 28- By "Over much the same period," the author means the period -----.
- 1) related to changes in electronics
 - 2) related to the activity of chemists
 - 3) when new communities were formed
 - 4) when the direction of synthesis changed
- 29- The examples of medicine and computing -----.
- 1) can benefit from research in bionanotechnology
 - 2) are two major branches of nanotechnology
 - 3) show that electronic and biology have been revolutionized
 - 4) are given to illuminate the connection between the two
- 30- According to the passage, it is NOT true that -----.
- 1) living organisms can inform bionanotechnology
 - 2) about forty million transistors have been manufactured since 1971
 - 3) the direction in chemistry has been toward making more complex structures
 - 4) light manipulation has speeded up the emergence of bionanotechnology

۳۱- معادله دیفرانسیل با مشتقات جزئی زیر از کدام نوع است؟

$$yu_{xx} - xu_{yy} + 2(xy-1)u_{xy} + x^2u_x - y^2u_y = 1$$

- (۱) سهمی گون
(۲) بیضی گون
(۳) هذلولی گون
(۴) نوع معادله به ازای X و Y مختلف فرق می کند.
- ۳۲- کدام یک از توابع زیر در معادله لاپلاس $U_{xx} + U_{yy} = 0$ صدق نمی کند؟

(۱) $\tan^{-1} \frac{y}{x}$
(۲) $e^{-x} \cosh y$

(۳) $\ln(x^2 + y^2)$
(۴) $\sin x \sinh y$

۳۳- سری فوریه کسینوسی تابع $f(x) = \cos^2 \pi x$ در نیم دامنه $[0, 1]$ کدام است؟

(۱) $\frac{1}{2} + \frac{1}{2} \cos 2\pi x$
(۲) $\frac{1}{2} + \sum_{n=1}^{\infty} \frac{(-1)^{n-1} \cos n\pi x}{2(n^2+1)}$

(۳) $\frac{1}{2} + \sum_{n=1}^{\infty} \frac{\cos n\pi x}{2(n^2+1)}$
(۴) $\frac{1}{2} + \sum_{n=1}^{\infty} \frac{(-1)^n \cos n\pi x}{2(n^2+1)}$

۳۴- $z=1$ قطب مرتبه چند تابع f زیر است؟

$$f(z) = \frac{1 + \cos \pi z}{(z^2 - 1)^2 \sin \pi z}$$

(۱) ۳
(۲) ۴

(۳) ۵
(۴) ۷

۳۵- اگر C دایره واحد به مرکز O و در جهت مثلثاتی باشد، آنگاه مقدار انتگرال زیر کدام است؟

$$\frac{1}{2\pi i} \oint_C \frac{z-1}{e^z z^n} dz, \quad n \in \mathbb{N}$$

(۱) $\frac{(-1)^n}{n!}$
(۲) $\frac{(-1)^{n-2}}{(n-1)!}$

(۳) $\frac{n(-1)^{n-1}}{(n-1)!}$
(۴) $\frac{n(-1)^n}{(n-1)!}$

۳۶- اگر یک سری لوران تابع f به صورت زیر باشد، آنگاه مقدار b_7 چقدر است؟

$$f(z) = \tan z = \sum_{n=0}^{\infty} a_n z^n + \sum_{n=1}^{\infty} \frac{b_n}{z^n}, \quad 2 < |z| < 3$$

(۱) $-\pi$
(۲) ۰

(۳) ۱
(۴) π

۳۷- معادله دیفرانسیل $x^2 y'' + xy' - (x^2 + v^2)y = 0$ با تغییر متغیر تابع $u = x^\alpha$ ، به ازای کدام ثابت های حقیقی α و v تبدیل به

معادله $u'' - u = 0$ می شود؟

(۱) $\alpha = \frac{-1}{2}$ ، $v = -\frac{1}{2}$ فقط
(۲) $\alpha = \frac{-1}{2}$ و $v = \pm \frac{1}{2}$

(۳) $\alpha = \frac{-1}{2}$ ، $v = \frac{1}{2}$ فقط
(۴) مسئله جواب ندارد.

۳۸- فرض کنید $V(x, y) = y^2 - 3x^2 y$ و تابع $f(z) = f(x + iy) = u(x, y) - iV(x, y)$ تحلیلی باشد و $f(0) = 0$. تابع $u(x, y)$ کدام

است؟

(۱) $3xy^2 - x^2$
(۲) $x^2 - 3x^2 y$

(۳) $x^2 - 3xy^2$
(۴) $y^2 - 3xy^2$

۳۹- از حل معادله دیفرانسیل $\frac{\partial^2 \theta}{\partial x^2} = \frac{1}{\alpha} \frac{\partial \theta}{\partial t}$ تحت شرایط مرزی - اولیه $\alpha \frac{\partial \theta}{\partial x}(L, t) + \beta \theta(L, t) = 0$ و $\theta(0, t) = 0$ ، $\theta(x, 0) = g(x)$ کدام فرم از جواب‌های ذیل به دست می‌آید؟

$$\theta(x, t) = \sum_{n=1}^{\infty} D_n \cos(\lambda_n x) e^{-\alpha \lambda_n^2 t} \quad (2)$$

$$\theta(x, t) = \sum_{n=1}^{\infty} D_n \sin(\lambda_n x) e^{-\alpha \lambda_n^2 t} \quad (1)$$

$$\theta(x, t) = g(x) + \sum_{n=1}^{\infty} D_n \sin(\lambda_n x) e^{-\alpha \lambda_n^2 t} \quad (4)$$

$$\theta(x, t) = \sum_{n=1}^{\infty} D_n (\cos(\lambda_n x) + \sin(\lambda_n x)) e^{-\alpha \lambda_n^2 t} \quad (3)$$

۴۰- کدام یک از توابع زیر نوسانی است و در $x=0$ معین است؟

$$J_0(x) \quad (1)$$

$$Y_1(x) \quad (2)$$

$$I_1(x) \quad (3)$$

$$K_0(x) \quad (4)$$

۴۱- تبدیل فوریه تابع $f(t) = e^{-|t|}$ کدام است؟

$$\frac{1}{1+\omega^2} \quad (1)$$

$$\frac{2}{1+\omega^2} \quad (2)$$

$$\frac{1}{\omega^2-1} \quad (3)$$

$$\text{وجود ندارد.} \quad (4)$$

۴۲- $f(x) = \begin{cases} 2-x & , 1 < x \leq 2 \\ x & , -1 \leq x \leq 1 \\ -2-x & , -2 \leq x < -1 \end{cases}$ اگر با استفاده از سری فوریه مثلثاتی این تابع، مجموع سری $\sum_{m=1}^{\infty} \frac{1}{(2m-1)^4}$ برابر کدام است؟

$$\frac{\pi^4}{64} \quad (1)$$

$$\frac{\pi^4}{96} \quad (2)$$

$$\frac{\pi^4}{128} \quad (3)$$

$$\frac{\pi^4}{192} \quad (4)$$

۴۳- با محاسبه $\oint_C \frac{dz}{z+1}$ بر محیط دایره $C: |z|=2$ ، در جهت مثبت، مقادیر انتگرال‌های

$$\oint_C \frac{(x+1)dx + ydy}{(x+1)^2 + y^2} \quad (1)$$

$$\oint_C \frac{(x+1)dy - ydx}{(x+1)^2 + y^2} \quad (2)$$

به ترتیب برابر است با:

$$0 \text{ و } \pi \quad (1)$$

$$0 \text{ و } 0 \quad (2)$$

$$2\pi \text{ و } 0 \quad (3)$$

$$\pi \text{ و } \pi \quad (4)$$

۴۴- مانده تابع $f(z) = \frac{ze^z}{(z-a)^2}$ ، $a \neq 0$ ، را نسبت به نقطه تکین آن تعیین کنید.

$$\frac{ae^a}{2} \quad (1)$$

$$(1+a)e^a \quad (2)$$

$$\left(1 + \frac{a}{2}\right)e^a \quad (3)$$

$$\left(\frac{1}{2} + \frac{a}{6}\right)e^a \quad (4)$$

۴۵- اگر f تابع متناوبی با دوره تناوب 2π و به ازای $|x| < \pi$ داشته باشیم $f(x) = \cos \frac{x}{2}$ ، آنگاه با استفاده از سری فوریه مثلثاتی تابع f ، مقدار $\sum_{n=1}^{\infty} \frac{1}{n^2 - \frac{1}{4}}$ برابر است با:

$$\frac{\pi}{2} \quad (1)$$

$$1 \quad (2)$$

$$\frac{\pi}{3} \quad (3)$$

$$2 \quad (4)$$

۴۶- معادله حرارت غیر همگن در امتداد میله‌ای به طول l به شکل زیر است:

$$\frac{\partial u}{\partial t} = \frac{\partial^2 u}{\partial x^2} + 1, \quad 0 < x < l, \quad t > 0$$

شرایط مرزی و اولیه عبارتند از:

$$u(0, t) = u(l, t) = 0, \quad u(x, 0) = f(x)$$

در این صورت پاسخ حالت پایدار u (یعنی وقتی $t \rightarrow \infty$) برابر است با:

$$\begin{aligned} (1) \quad & x(l-x) \\ (2) \quad & x\left(x - \frac{l}{2}\right) \\ (3) \quad & \frac{x(l-x)}{2} \\ (4) \quad & -\frac{x^2}{2} + lx + l^2 \end{aligned}$$

۴۷- معادله دیفرانسیل $\frac{d^2 \phi}{dx^2} + \lambda \phi = 0, \quad 0 < x < \pi, \quad \lambda > 0$ با شرایط مرزی $\phi'(0) = 0$ و $\phi'(\pi) + \phi(\pi) = 0$ مفروض است. مقادیر

ویژه و توابع ویژه آن عبارت است از:

(۱) مقادیر ویژه جواب‌های معادله $\text{tg}(\sqrt{\lambda}\pi) = -\sqrt{\lambda}$ هستند و $\phi_\lambda(x) = \cos \sqrt{\lambda}x$

(۲) مقادیر ویژه جواب‌های معادله $\text{cot g}(\sqrt{\lambda}\pi) = \sqrt{\lambda}$ هستند و $\phi_\lambda(x) = \sin \sqrt{\lambda}x$

(۳) مقادیر ویژه جواب‌های معادله $\text{tg}(\sqrt{\lambda}\pi) = -\sqrt{\lambda}$ هستند و $\phi_\lambda(x) = \sin \sqrt{\lambda}x$

(۴) مقادیر ویژه جواب‌های معادله $\text{cot g}(\sqrt{\lambda}\pi) = \sqrt{\lambda}$ هستند و $\phi_\lambda(x) = \cos \sqrt{\lambda}x$

۴۸- حاصل انتگرال $\oint_C \frac{dz}{(z+1)(2z-1)^2}$ وقتی مسیر C روی دایره $|z-1|=1$ در جهت مثبت باشد، کدام گزینه است؟

$$\begin{aligned} (1) \quad & -\frac{2\pi i}{9} \\ (2) \quad & \frac{4\pi i}{3} \\ (3) \quad & -\frac{8\pi i}{9} \\ (4) \quad & \frac{4\pi i}{9} \end{aligned}$$

۴۹- مقدار انتگرال $I = \int_0^\infty \frac{\cos 2x}{1+x^2} dx$ کدام است؟

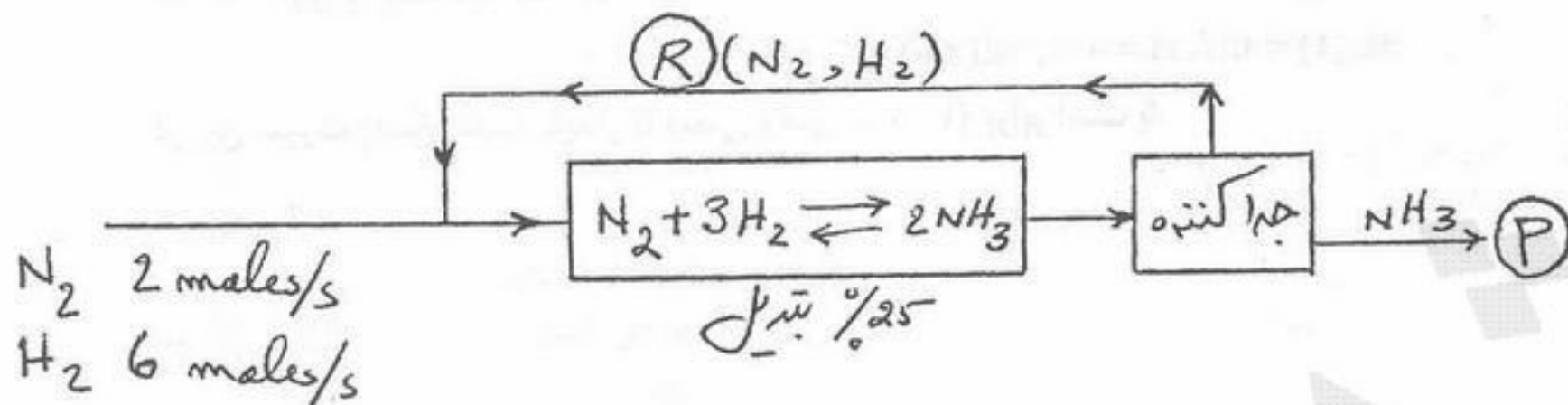
$$\begin{aligned} (1) \quad & \pi e^{-2} \\ (2) \quad & \frac{\pi}{2} e^2 \\ (3) \quad & \pi e^2 \\ (4) \quad & \frac{\pi}{2} e^{-2} \end{aligned}$$

۵۰- شرط اینکه معادله دیفرانسیل $(1-x^2)y'' - 2xy' + \lambda y = 0$ دارای یک جواب به صورت چند جمله‌ای درجه n نسبت به x باشد آن است که:

$$\begin{aligned} (1) \quad & \lambda = -n(n-1) \\ (2) \quad & \lambda = -n(n+1) \\ (3) \quad & \lambda = n(n-1) \\ (4) \quad & \lambda = n(n+1) \end{aligned}$$

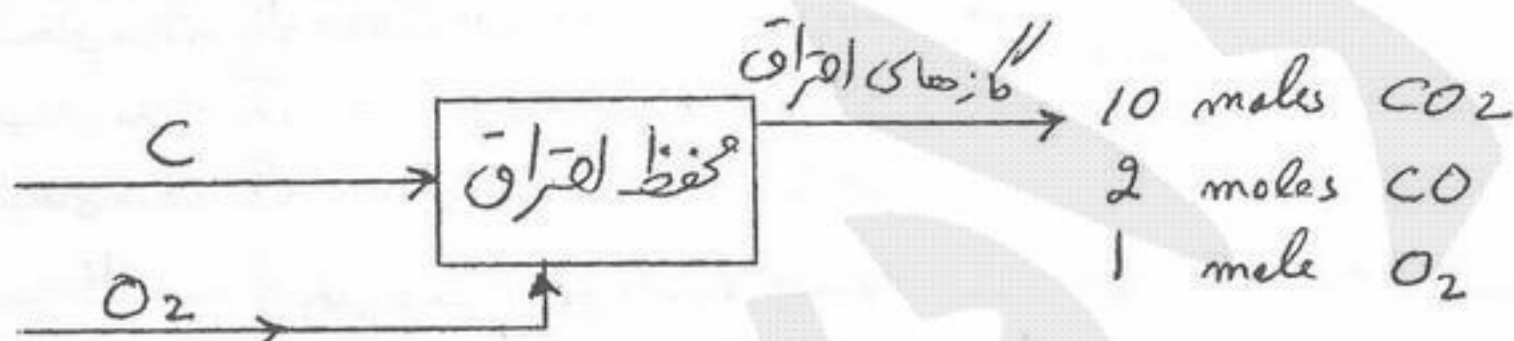
۵۱- بخار آب با فشار ۱ atm و 127°C موجود است:

- (۱) این بخار، بخار اشباع می باشد.
 (۲) این بخار، بخار با کیفیت کمتر از ۱۰۰٪ می باشد.
 (۳) این بخار داغ (Super heat) است و درجه داغی آن 7°C است.
 (۴) این بخار داغ (Super heat) می باشد و درجه داغی آن 27°C است.
- ۵۲- در شکل زیر مقادیر P و R چقدر می باشند؟ (بر حسب مل بر ثانیه)



- (۱) $R = 24, P = 4$
 (۲) $R = 12, P = 2$
 (۳) $R = 12, P = 4$
 (۴) $R = 18, P = 4$

۵۳- کربن با اکسیژن خالص سوزانده شده و حاصل احتراق ۱۳ مل به شرح زیر بوده است؟



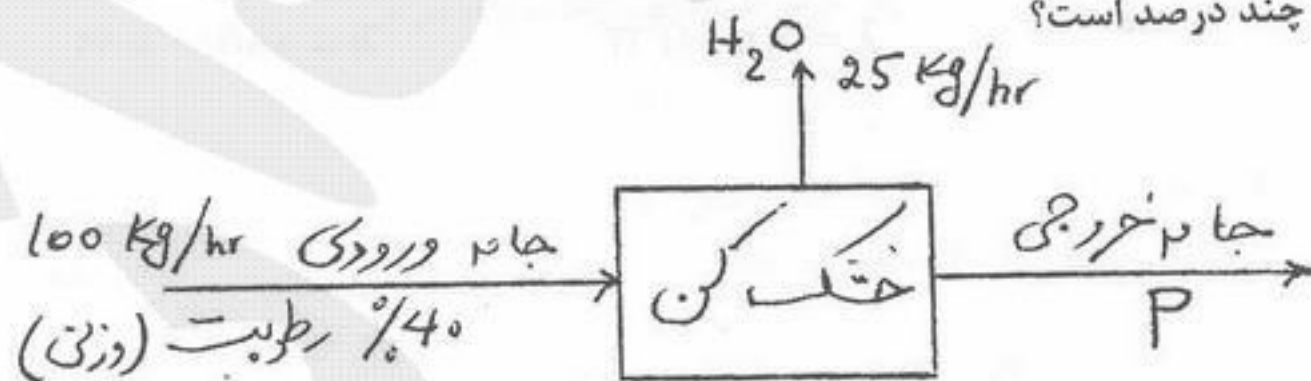
- (۱) اکسیژن عامل نقصانی بوده است.
 (۲) اکسیژن به طور استوکیومتری مصرف شده است.
 (۳) اکسیژن اضافی در این عمل مصرف شده است.
 (۴) اکسیژن اضافی بوده و واکنش ناقص صورت گرفته است.
- ۵۴- فشار مطلق 190 mmHg چند آتمسفر و چند پاسکال است؟

- (۲) $28325 \text{ P}, 1/25 \text{ atm}$
 (۴) $25325 \text{ P}, 0/25 \text{ atm}$

- (۱) $28325 \text{ P}, 0/25 \text{ atm}$
 (۳) $25325 \text{ P}, 1/23 \text{ atm}$

- ۵۵- اگر متان را با هوا بسوزانیم در کدام یک از شرایط زیر به درجه حرارت بالاتری خواهیم رسید؟ (درجه حرارت نظری شعله)
- (۱) هوا به طور استوکیومتری مصرف شود.
 (۲) هوا ۱۰٪ اضافی مصرف شود.
 (۳) هوا ۵۰٪ اضافی مصرف شود.
 (۴) هوا ۱۰۰٪ اضافی مصرف شود.

۵۶- رطوبت جامد خروجی (P) چند درصد است؟



- (۱) ۱۵
 (۲) ۲۰
 (۳) ۲۲
 (۴) ۲۵

۳۲۰

۵۷- محاسبه ضریب انتقال حرارت جابجایی (Convection) درون لوله‌های مدور از کدام رابطه قابل محاسبه است؟

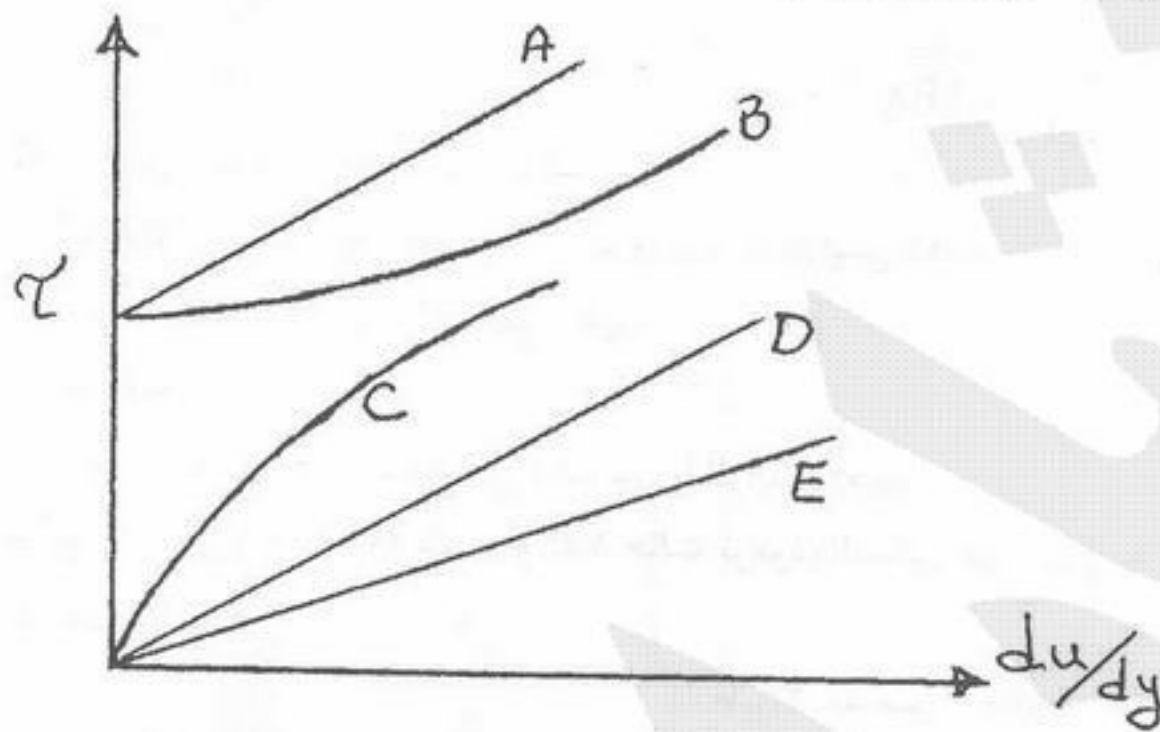
$$Nu = 2 + Re^{0.4} Pr^{\frac{1}{4}} \quad (2)$$

$$Nu = 2 + Re^{\frac{1}{2}} Pr^{\frac{1}{4}} \quad (1)$$

$$Nu = 0.023(Re)^{\frac{1}{2}} (Pr)^{\frac{1}{4}} \quad (4)$$

$$Nu = 0.023(Re)^{0.4} (Pr)^{\frac{1}{4}} \quad (3)$$

۵۸- کدام یک از خطوط شکل موجود، مربوط به سیال نیوتونی می‌باشد؟



- A, D (1)
- D, E (2)
- C, D (3)
- B, E (4)

۵۹- در صورت نبودن کدام یک از شرط‌های زیر، نمی‌توان از معادله برنولی استفاده نمود؟

- (۱) سیال مورد نظر فاز مایع باشد.
- (۲) فشار در طول مسیر ثابت باشد.
- (۳) اصطکاک دیواره لوله‌ها در نظر گرفته شود.
- (۴) فقط لوله‌های افقی مورد استفاده انتقال قرار گرفته باشند.

۶۰- ضریب نفوذ مولکولی بخار A در بخار B معادل $0.1 \frac{cm^2}{s}$ است. ضریب نفوذ مایع A در مایع B را چه عددی تخمین می‌زنید؟

- (۱) $0.1 \times 10^4 \frac{cm^2}{s}$
- (۲) $0.1 \times 10^{-1} \frac{cm^2}{s}$
- (۳) $0.1 \times 10^{-4} \frac{cm^2}{s}$
- (۴) $0.1 \times 10^2 \frac{cm^2}{s}$

۶۱- کدام یک از جامدات زیر با ضرایب کنداکتیویته اعلام شده می‌توانند به عنوان عایق بکار برده شوند؟

- (۱) $50 \frac{W}{m^{\circ}C}$
- (۲) $25 \frac{W}{m^{\circ}C}$
- (۳) $5 \frac{W}{m^{\circ}C}$
- (۴) $0.05 \frac{W}{m^{\circ}C}$

۶۲- اگر سیالی در داخل یک لوله افقی در حال حرکت باشد (مطابق شکل)، معادله خلاصه شده برنولی برای این لوله چه می‌باشد؟

$$\frac{P_1}{\rho} = \frac{P_2}{\rho} + h_f \quad (1)$$

$$z_1 g + w = z_2 g + h_f \quad (2)$$

$$\frac{1}{2} u_1^2 = \frac{1}{2} u_2^2 + z_2 g + h_f \quad (3)$$

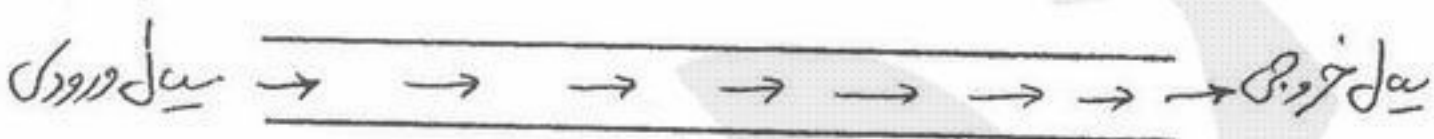
$$\frac{P_1}{\rho} + \frac{1}{2} u_1^2 + z_1 g + w = \frac{P_2}{\rho} + \frac{1}{2} u_2^2 + z_2 g + h_f \quad (4)$$

۶۳- قطر برج‌های تقطیر تابع:

- (۱) درجه حرارت و فشار برج است.
- (۲) درجه تفکیک مواد از یکدیگر است.
- (۳) مقدار خوراک ورودی و نسبت برگشت است.
- (۴) ظرفیت دیگ جوش و کندانسور بالای برج است.

۶۴- کدام یک از فرمول‌های زیر برای محاسبه نقطه شبلم یک مخلوط چند جزئی مورد استفاده قرار می‌گیرد؟ k_i ضریب تعادلی عنصر i در دو فاز مایع و بخار است.

- (۱) $\sum y_i k_i = 1/0$
- (۲) $\sum \frac{y_i}{k_i} = 1/0$
- (۳) $\sum k_i x_i = 1/0$
- (۴) $\sum \frac{k_i}{y_i} = 1/0$



۶۵- ضریب فراریت ترکیب A به ترکیب B $\alpha = \frac{\frac{y_A}{x_A}}{\frac{y_B}{x_B}}$ را برای مخلوطهای ایده آل می توان بر حسب فشار بخار خالص A و B به ترتیب زیر

نوشت:

$$\alpha = \frac{P_A}{P_B} \quad (۱) \quad \alpha = \frac{P_A^y}{P_B} \quad (۲) \quad \alpha = \frac{P_A^y}{P_B(P_A - P_B)} \quad (۳) \quad \alpha = \frac{P_A(P_A - P_B)}{P_B^y} \quad (۴)$$

۶۶- اگر بتوانیم هوایی را با ثابت نگه داشتن رطوبت نسبی آن گرم کنیم:

(۱) باید آب موجود در هوا (Humidity) را ثابت نگه داشته و درجه حرارت را افزایش دهیم.

(۲) باید آب موجود در هوا را ثابت نگه داشته و انتالپی را افزایش دهیم.

(۳) باید آب موجود در هوا را افزایش دهیم.

(۴) باید آب موجود در هوا را ثابت نگه داشته و حجم مخصوص و انتالپی را افزایش دهیم.

۶۷- اگر در یک برج تقطیر تمام عوامل طراحی را ثابت نگه داریم و فقط حالت ترمودینامیکی خوراک ورودی را تغییر دهیم، در کدام یک از موارد زیر نسبت برگشت حداقل، عدد بزرگتری می باشد؟

(۱) خوراک به صورت بخار اشباع

(۲) خوراک به صورت بخار داغ

(۳) خوراک به صورت مخلوط مایع و بخار

(۴) خوراک به صورت مایع در نقطه جوش

۶۸- در یک برج تقطیر، دو خوراک ورودی (F_1, F_2) ، دو محصول بالا و پائین برج (W, D) و یک محصول جانبی بالاتر از خوراک ورودی اول وجود دارد. در تصویر xy روش McCabe چه تعداد خط تبادل (operating lines) برای این برج وجود دارد؟

(۱) ۵ (۲) ۲ (۳) ۳ (۴) ۴

- ۶۹- برای کاهش سختی کل آب‌های ورودی به جوشاورها از رزین‌های مبادله کننده زیر استفاده می‌شود.
 (۱) رزین کاتیونی سدیمی
 (۲) رزین کاتیونی پروتونی
 (۳) رزین آنیونی هیدرواکسیدی
 (۴) رزین پروتونی و هیدرواکسیدی در بستر مشترک
- ۷۰- کدام یک از مواد زیر به عنوان ماده منعقد کننده استفاده می‌شود؟
 (۱) آلوم
 (۲) گاز کلر
 (۳) سولفات مس
 (۴) جوش شیرین
- ۷۱- برای تصفیه یک نمونه پس آب که نسبت BOD آن به COD اش کوچکتر از ۰/۲۵ است کدام یک از گزینه‌های زیر درست است؟
 (۱) روش تصفیه بیوشیمیایی برای این نمونه مؤثر است.
 (۲) روش تصفیه شیمیایی برای این نمونه چندان مؤثر نیست.
 (۳) روش تصفیه بیوشیمیایی برای این نمونه چندان مؤثر نیست.
 (۴) هیچ یک از روش‌های شیمیایی و بیوشیمیایی برای این نمونه مؤثر نیست.
- ۷۲- وجود CO_2 در آب جوشاورها اثرات زیانبار زیر را دارد.
 (۱) تبدیل آهن عنصری به آهن (II) محلول
 (۲) تبدیل آهن (III) به آهن (II) و تولید H_2
 (۳) تبدیل آهن عنصری به رسوب $Fe(OH)_3$ و تولید H_2 و CO_2
 (۴) تبدیل آهن عنصری به اکسید آن و افزایش کل نمک‌های محلول
- ۷۳- هدف از عمل انعقادسازی و لخته‌گذاری عبارت از:
 (۱) کاهش آلودگی بیولوژیکی
 (۲) تنظیم pH محلول و کاهش سختی آب
 (۳) تشکیل کمپلکس‌های پایدار
 (۴) تبدیل ذرات بسیار ریز به توده‌های بزرگ جهت حذف آنها
- ۷۴- در کدام یک از تکنیک‌های زیر جهت تصفیه آب از غشاء استفاده می‌شود؟
 (۱) تقطیر - الکترودیالیز
 (۲) اسمز معکوس - الکترودیالیز
 (۳) الکترودیالیز - رزین مختلط
 (۴) اسمز معکوس - رزین مختلط
- ۷۵- با توجه به اختلالات پتانسیل الکتریکی ولت $E = -0.68$ در پیل $Cu/Cu^{2+} // Zn^{2+}/Zn$ می‌توان گفت:
 (۱) مس (Cu) آند می‌شود و خورده می‌شود.
 (۲) روی (Zn) کاتد می‌باشد و خورده می‌شود.
 (۳) بدون احتساب ΔG° واکنش کلی پیل نمی‌توان قضاوت نمود.
 (۴) در نوشتن و یا نمایش پیل اشتباه شده است و الکترو روی (Zn) آند می‌باشد.
- ۷۶- کدام یک از انواع خوردگی‌های زیر، متداول‌ترین نوع خوردگی می‌باشد؟
 (۱) خوردگی تنشی
 (۲) خوردگی یکنواخت
 (۳) خوردگی گالوانیکی
 (۴) خوردگی مرزانه‌ای
- ۷۷- موقعی یک فلز در محیط طبیعی در حال خوردگی است
 (۱) شدت جریان تبدالی در دو واکنش با هم برابر خواهد بود.
 (۲) پیل شیمیایی حاصل از فرآیند خوردگی دارای مقدار ماکزیمم خواهد بود.
 (۳) سرعت واکنش آندی پیل خوردگی با سرعت واکنش کاتدی برابر خواهد بود.
 (۴) پلاریزاسیون واکنش آندی یا مقدار پلاریزاسیون واکنش کاتدی برابر خواهد بود.
- ۷۸- احتمال وقوع خوردگی حفره‌ای در حضور کدام یک از آنیون‌های زیر بیشتر است؟
 (۱) Cl^-
 (۲) NO_3^-
 (۳) SO_4^{2-}
 (۴) SO_4^{2-}
- ۷۹- کدام یک از عوامل زیر، باعث ازدیاد پلاریزاسیون فعالیت می‌شود؟
 (۱) وجود ناخالصی در محیط اطراف فلز
 (۲) ازدیاد درجه حرارت محیط اطراف الکتروکاری
 (۳) ازدیاد مقاومت الکتریکی الکترولیت (محیط)
 (۴) ازدیاد شدت جریان خوردگی یا ازدیاد شدت جریان در پیل حاصل
- ۸۰- عاملی که باعث غیر فعال یا پاسیو (Passive) شدن فلز می‌شود، ممکن است باشد.
 (۱) وجود یون‌های هالیدی مانند Cl^-
 (۲) جذب لایه‌ای از مولکول‌های آب بر سطح فلز
 (۳) جذب اکسیژن یا رادیکال OH^- بر روی سطح فلز
 (۴) جذب لایه تک‌مولکولی از گازهای نجیب بر سطح فلز

ثابت‌های مورد نیاز در مسائل به شرح زیر می‌باشند:

$$\hbar = 1,05 \times 10^{-27} \text{ J.s} = 6,58 \times 10^{-22} \text{ MeV.s}$$

$$h = 6,6 \times 10^{-27} \text{ J.s} = 4,1 \times 10^{-21} \text{ MeV.s}$$

$$R_H = \frac{1}{911} \text{ cm}^{-1}, \quad a_0 = 0,5 \text{ \AA}, \quad \mu_B = 9,3 \times 10^{-24} \text{ A.m}^2$$

$$m_e = 9,1 \times 10^{-31} \text{ kg} = 0,5 \frac{\text{MeV}}{c^2}$$

$$m_p = 1,6 \times 10^{-27} \text{ kg} = 938 \frac{\text{MeV}}{c^2} \quad m_n - m_p = 1,3 \frac{\text{MeV}}{c^2}$$

۸۱- کره‌ای به قطر a با سرعت v از مقابل یک ناظر ساکن عبور می‌کند به طوری که در لحظه‌ای که کره در مقابل ناظر است، سرعت آن عمود بر خط دید ناظر می‌باشد. در این لحظه ناظر عکسی از این کره می‌گیرد. پس از ظهور عکس، چه شکلی دیده می‌شود؟
(۱) کره

(۲) بیضوی با دو قطر a و یک قطر $a \sqrt{1 - \frac{v^2}{c^2}}$ که این قطر در راستای حرکت جسم است.

(۳) بیضوی با دو قطر $a \sqrt{1 - \frac{v^2}{c^2}}$ و یک قطر a

(۴) بیضوی با دو قطر a و یک قطر $a \sqrt{1 - \frac{v^2}{c^2}}$ که این قطر در راستای عمود بر حرکت جسم است.

۸۲- فوتونی با انرژی 200 MeV به یک ذره π^+ می‌تابد. جرم این ذره $140 \frac{\text{MeV}}{c^2}$ است. بیشینه اتلاف انرژی این فوتون تقریباً چند MeV است؟

(۱) ۱۵۰

(۲) ۱۲۰

(۳) ۱۰۵

(۴) $120 \times \frac{140}{200} = 84$

۸۳- در دماهای کم و فرکانس‌های بالا، گسیلندگی طیفی جسم سیاه با کدام عبارت متناسب است؟ (v فرکانس و T دما است.)

(۱) vT

(۲) v^2T

(۳) $v^2e^{-\frac{hv}{kT}}$

(۴) $ve^{-\frac{hv}{kT}}$

۸۴- در طیف اتم لیتیوم دو بار یونیده Li^{++} تمامی خطوط طیف گسیلی به یک خط در طول موج‌های کوچک همگرا می‌شود. طول موج این خط تقریباً چند انگستروم است؟

(۱) ۱۰

(۲) ۲۳

(۳) ۱۰۰

(۴) ۲۳۰

۸۵- در پراکندگی رادرفورد ذره آلفا از هسته اتم طلا پارامتر برخورد برای پراکندگی با زاویه 1° برابر $1,7 \times 10^{-12} \text{ m}$ و برای پراکندگی با زاویه 45° برابر $3,4 \times 10^{-14} \text{ m}$ می‌باشد. اگر 10000 ذره آلفا را به یک ورقه طلا بتابانیم و همه آنها در زوایای بیشتر از 1° منحرف شوند، تقریباً چه تعداد از آنها در زوایای بیش از 45° منحرف می‌شوند؟

(۱) ۴

(۲) ۲۰۰

(۳) ۴۰۰

(۴) ۲۰۰۰

۸۶- برای اینکه اتم‌های هیدروژن موجود در یک ظرف، بر اثر برخورد با یکدیگر، در اولین حالت برانگیخته قرار گیرند، ظرف را باید به طور تقریبی در چه دمایی قرار دهیم؟

(۱) 10^4 K

(۲) 10^7 K

(۳) 10^8 K

(۴) 10^9 K

۸۷- در تضعیف پرتو X در یک ماده، کدام مکانیسم دخالت دارد؟

(۱) اثر کامپتون

(۲) اثر فوتوالکتریک

(۳) تولید زوج الکترون - پوزیترون

(۴) هر سه مورد

۸۸- کدام یک از کمیت‌های زیر را نمی‌توان توسط نظریه اتمی بور پیش‌بینی کرد؟

(۱) فاصله خطوط طیفی عناصر هیدروژن گونه

(۲) شدت خطوط طیفی عناصر هیدروژن گونه

(۳) طیف پرتو X مشخصه عناصر هیدروژن گونه

(۴) هر دو مورد ۱ و ۲

۸۹- باریکه‌ای از الکترون‌ها با انرژی جنبشی $4 \times 10^{-8} \text{ eV}$ به یک شکاف به عرض 10^{-4} m تابیده می‌شود. گستردگی زاویه‌ای این باریکه پس از عبور از شکاف چند رادیان است؟

- (۱) 2×10^{-5} (۲) 8×10^{-3} (۳) 2×10^{-2} (۴) 8×10^{-12}

۹۰- یک اتم هیدروژن ساکن و در حالت پایه را در نظر بگیرید. یک میون با انرژی جنبشی تقریباً صفر به این اتم نزدیک شده و حول پروتون گیر می‌افتد. انرژی جنبشی الکترون آزاد شده تقریباً چند eV است؟ (جرم میون را 200 برابر جرم الکترون فرض کنید).

- (۱) $4/3 \times 10^3$ (۲) $13/6$ (۳) $1/2 \times 10^3$ (۴) $2/4 \times 10^3$

۹۱- اتم پوزیترونیم تشکیل شده است از الکترونی که به دور یک پوزیترون می‌چرخد. بنابر مدل اتمی بور شعاع پایین‌ترین تراز انرژی این اتم تقریباً چند انگستروم است؟

- (۱) $1/25$ (۲) 1 (۳) $0/5$ (۴) $0/25$

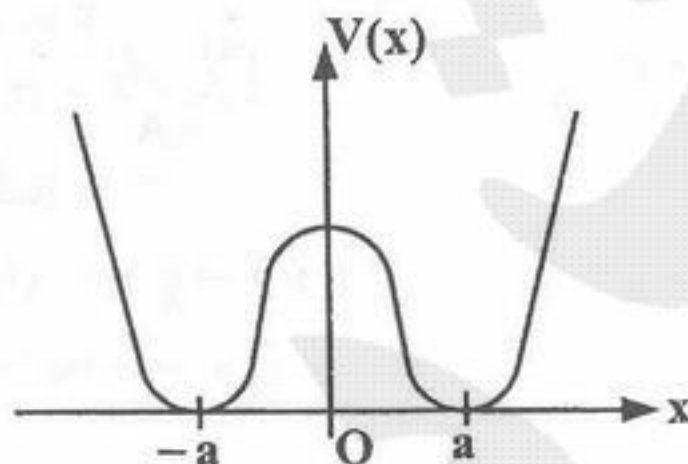
۹۲- الکترونی به سمت یک چاه پتانسیلی به عمق $0/2 \text{ eV}$ و عرض 1 nm حرکت می‌کند. کمترین مقدار انرژی جنبشی الکترون که به ازای آن الکترون بدون بازتاب از چاه عبور می‌کند، چند eV است؟

- (۱) $0/1$ (۲) $0/8$ (۳) $0/6$ (۴) $0/4$

۹۳- برای یک چاه پتانسیل نامتناهی یک بعدی، انرژی فرمی با کدام گزینه متناسب است؟ (n چگالی فرمیون‌ها است).

- (۱) $n^{2/3}$ (۲) n (۳) $n^{1/2}$ (۴) n^2

۹۴- تابع پتانسیل متقارن زیر را در نظر بگیرید. تابع موج ψ_L نشان دهنده ذره‌ای است که در چاه سمت چپ محبوس است و ψ_R برای ذره‌ای در چاه سمت راست. همچنین توابع موج $\psi_{\pm} = \psi_L \pm \psi_R$ را تعریف می‌کنیم. الکترونی که در این پتانسیل قرار گرفته، با چه بسامدی تابش می‌کند؟



- (۱) $\frac{E_+ - E_-}{h}$
 (۲) $\frac{E_- - E_+}{h}$
 (۳) $\frac{E_L - E_R}{h}$
 (۴) $\frac{E_R - E_L}{h}$

۹۵- مقدار انتظاری انرژی جنبشی الکترون $\langle \frac{p^2}{2m} \rangle$ در حالت پایه اتم هیدروژن کدام است؟ (برای حالت پایه اتم هیدروژن $\langle \frac{1}{r} \rangle = \frac{1}{a_0}$ است).

- (۱) $2/4 \text{ eV}$ (۲) $6/8 \text{ eV}$ (۳) $13/6 \text{ eV}$ (۴) $27/2 \text{ eV}$

۹۶- مقدار انتظاری P^5 برای دومین تراز برانگیخته یک الکترون در یک چاه پتانسیل بی‌نهایت عمیق به عرض L کدام است؟

- (۱) صفر (۲) $\frac{\Delta \pi^2 \hbar^2}{L^2}$ (۳) $\left(\frac{\Delta \pi \hbar}{L}\right)^5$ (۴) $\left(\frac{\pi \hbar}{L}\right)^5$

۹۷- قسمت زاویه‌ای تابع موج یک الکترون در یک اتم $Y_{21}(\theta, \phi) = -\sqrt{\frac{15}{8\pi}} \sin \theta \cos \theta e^{i\phi}$ است. نسبت احتمال حضور الکترون در بازه‌ای

دیفرانسیلی حول جهت $\left(\theta = \frac{\pi}{8}, \phi = 0\right)$ به احتمال حضور الکترون در همان بازه حول جهت $\left(\theta = \frac{\pi}{4}, \phi = \frac{\pi}{8}\right)$ کدام است؟

- (۱) $\frac{1}{2}$ (۲) $\frac{1}{4 \cos\left(\frac{\pi}{8}\right)}$ (۳) $\frac{1}{4 \sin\left(\frac{\pi}{8}\right)}$ (۴) $\frac{1}{4 \sin^2\left(\frac{\pi}{8}\right)}$

۹۸- فوتونی با طول موج بسیار کوتاه در خلاء در حال حرکت است. اگر این فوتون به یک زوج مجازی الکترون و پوزیترون واپاشی کند، طول عمر این زوج مجازی تقریباً چند ثانیه است؟

- (۱) 10^{-52} (۲) 10^{-22} (۳) 10^{-22} (۴) 10^{-12}

۹۹- اتم هیدروژنی در حالت $l = 1$ و $n = 2$ را در یک میدان مغناطیسی $B = 4T$ قرار می‌دهیم. مقدار شکافتگی خطوط طیفی در اثر وجود میدان مغناطیسی، تقریباً کدام است؟

- (۱) 10^{-6} eV (۲) $2 \times 10^{-4} \text{ eV}$ (۳) $2 \times 10^{-2} \text{ eV}$ (۴) 0.2 eV

۱۰۰- برای کدام یک از میدان‌های مغناطیسی خارجی زیر، شکافتگی ترازها در اثر زیمن، با مقدار شکافتگی بر اثر جفت‌شدگی اسپین - مدار، برابر است؟

- (۱) 10^{-2} Tesla (۲) 0.5 Tesla (۳) 6 Tesla (۴) 10^2 Tesla

۱۰۱- در یک مولکول NaCl فاصله بین دو اتم 1 \AA است. انرژی لازم برای برانگیخته کردن ملکول به اولین حالت برانگیخته دورانی تقریباً چند eV است؟ ($A_{Cl} = 35$, $A_{Na} = 23$)

- (۱) 3×10^{-7} (۲) 3×10^{-4} (۳) 8×10^{-2} (۴) 0.8

۱۰۲- در حالت پایه اتم $Sc (Z = 21)$ ، اندازه حرکت زاویه‌ای کل $\vec{J} = \vec{L} + \vec{S}$ مقادیر را می‌تواند داشته باشد که مقدار کمترین انرژی را دارد.

- (۱) $\left(\frac{1}{2}\right)$ و $\left(\frac{5}{2}, \frac{3}{2}, \frac{1}{2}\right)$ (۲) $\left(\frac{5}{2}\right)$ و $\left(\frac{5}{2}, \frac{3}{2}, \frac{1}{2}\right)$ (۳) $\left(\frac{5}{2}\right)$ و $\left(\frac{5}{2}, \frac{3}{2}, \frac{3}{2}\right)$ (۴) $\left(\frac{3}{2}\right)$ و $\left(\frac{5}{2}, \frac{3}{2}, \frac{3}{2}\right)$

۱۰۳- در واکنش فیوژن ${}^2\text{H} + {}^2\text{H} \rightarrow {}^3\text{H} + n$ ، تقریباً چند ژول انرژی آزاد می‌شود؟

- (۱) 10^{-12} (۲) 10^{-8} (۳) 10^{-5} (۴) 1

۱۰۴- در رابطه نیمه تجربی وایساگر - بته (Weizsacker-Bethe) جمله ناشی از عدم تقارن هسته (یعنی تفاوت N با Z) متناسب با کدام گزینه است؟

- (۱) $\frac{N-Z}{A}$ (۲) $\frac{(N-Z)^{\frac{2}{3}}}{2A}$ (۳) $\frac{(N-Z)^{\frac{1}{3}}}{A}$ (۴) $\frac{(N-Z)^2}{2A}$

۱۰۵- کدام یک از واکنش‌های زیر مجاز است؟

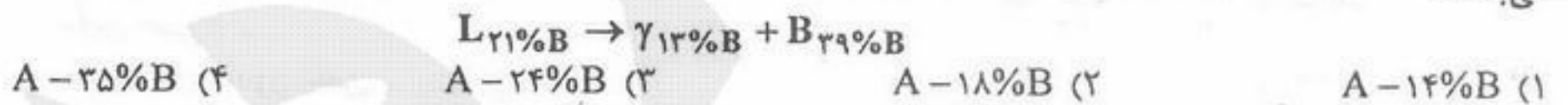
- (۱) $e^- + p \rightarrow \bar{\nu}_e$ (۲) $p + \bar{p} \rightarrow p + \pi^-$ (۳) $\pi^- + p \rightarrow n + K^0$ (۴) $\Sigma^+ \rightarrow K^+ + \gamma$

- ۱۰۶- کدام یک از صفحات کریستالی در ساختمان‌های کریستالی مختلف دارای بیشترین تعداد جهات متراکم است؟ (SC، مکعبی ساده)
- ۱ (۱۱۰) BCC (۱) (۲) FCC (۱۱۰) (۳) HCP (۱۱۰) (۴) SC (۱۱۰)
- ۱۰۷- جهات کریستالی [۱۲۱۰] و [۱۲۱۲] بر روی کدام صفحه کریستالی در ساختمان hcp قرار دارند؟
- ۱ (۰۰۰۱) (۲) (۱۲۱۰) (۳) (۱۰۱۱) (۴) (۱۰۱۰)
- ۱۰۸- نسبت چگالی اتمی صفحات {۱۰۰} ساختمان مکعبی ساده به چگالی اتمی صفحات {۱۰۰} ساختمانی FCC، با شعاع اتمی یکسان، چقدر است؟
- ۱ (۰٫۵) (۲) ۰٫۸ (۳) ۱ (۴) ۲
- ۱۰۹- با توجه به الکترونگاتیویته عناصر درصد کووالانسی بودن پیوند در کدام ترکیب بیشتر است؟

عنصر	Ti	Si	W	O	C
الکترونگاتیویته	۱/۵	۱/۸	۱/۷	۳/۵	۲/۵

الف) SiO_2
ب) TiC
ج) WC
د) SiC

- ۱۱۰- کدام یک از صفحات کریستالی در گزینه‌های زیر با صفحات (۱۱۱) و (۵۴۱) هم منطقه هستند؟
- ۱ (۴۳۰) (۲) (۴۳۱) (۳) (۴۳۲) (۴) (۴۳۳)
- ۱۱۱- چند محور برای پیچش (twist) دو دانه مجاور نسبت به مرز دانه قابل تعریف است؟
- ۱ (۴) (۲) ۳ (۳) ۲ (۴) ۱
- ۱۱۲- یک مرز دانه متقارن با زوایه کوچک ($\theta = 2^\circ$) را که از تقاطع صفحات {۱۱۰} در یک فلز (FCC) با شعاع اتمی 0.314 nm تشکیل گردیده است در نظر بگیرید. فاصله دو نابجایی لبه‌ای متوالی در این مرز بر حسب nm چقدر است؟
- ۱ (۱/۸) (۲) ۱۸ (۳) ۳/۶ (۴) ۳۶
- ۱۱۳- اگر تعداد دانه‌های فلزی در 1 in^2 با بزرگنمایی $100\times$ دو برابر تعداد دانه‌های فلزی دیگر تحت همان شرایط باشد، در این صورت اگر عدد اندازه ASTM فلز اول برابر N باشد، عدد اندازه دانه فلز دوم چقدر خواهد بود؟
- ۱ (N+۱) (۲) N-۱ (۳) N-۲ (۴) N+۲
- ۱۱۴- کریستالی حاوی 10^{10} جای خالی با حجم ثابت مفروض است. نسبت تعداد جای خالی به تعداد اتم در این کریستال بر پایه کدام یک از ساختمان‌های کریستالی زیر به بیشترین مقدار می‌رسد؟
- ۱) bcc (۲) hcp (۳) fcc (۴) SC (مکعب ساده)
- ۱۱۵- ساختار تعادلی کدام یک از آلیاژهای دوتایی در گزینه‌های زیر، درست پس از واکنش تغییر ناپذیر مقابل شامل کمترین درصد فاز اولیه می‌باشد؟



- ۱۱۶- در کدام یک از استحاله‌ها در گزینه‌های زیر ذوب متجانس (congruent) صورت می‌گیرد؟
- ۱) یوتکتوئید (۲) یوتکتیک (۳) پری تکتوئید (۴) پری تکتیک
- ۱۱۷- درجه حلالیت Be در Cu را با اختلاف شعاع اتمی ۱۰/۹٪ و اختلاف الکترونگاتیویته ۰/۳ پیش‌بینی کنید. Be و Cu به ترتیب دارای ساختمان‌های بلور FCC و HCP هستند. (برای حلالیت‌های ۱۰-۷۰٪، ۳۰-۷۰٪، ۱۰-۳۰٪، ۱-۱۰٪ و ۱٪ به ترتیب از مقیاس‌های خیلی بالا، بالا، متوسط، پایین و خیلی پایین استفاده کنید.)
- ۱) خیلی پایین (۲) پایین (۳) متوسط (۴) بالا

- ۱۱۸- در کدام یک از واکنش‌های تغییرناپذیر سه فازی در گزینه‌های زیر کمترین درصد فاز β بعد از واکنش تشکیل می‌شود؟
- ۱) $L(14\%B) \rightarrow \alpha(12\%B) + \beta(20\%B)$ (۲) $L(14\%B) \rightarrow \alpha(10\%B) + \beta(20\%B)$ (۳) $L(14\%B) \rightarrow \alpha(12\%B) + \beta(18\%B)$ (۴) $L(14\%B) \rightarrow \alpha(10\%B) + \beta(18\%B)$

- ۱۱۹- ترکیبات Cu_3Zn و Fe_3C به ترتیب متعلق به کدام یک از انواع فازهای واسطه در گزینه‌های زیر هستند؟
- ۱) الکترونی و بین نشینی (۲) منظم و الکترونی (۳) بین نشینی و منظم (۴) بین نشینی و الکترونی
- ۱۲۰- جهت تولید ۲۰ تن فولاد باریز ساختاری شامل ۳/۴۲٪ سمنتیت پرویوتکتوئیدی تحت شرایط سرد کردن تعادلی، مقدار تقریبی کربن لازم در آلیاژ بر حسب (kg) برابر خواهد بود با:
- ۱) ۱۷۵ (۲) ۱۹۵ (۳) ۲۱۵ (۴) ۲۳۵

- ۱۲۱- قطعه‌ای از آلیاژ آلومینیم ۲۴-۶۰۶۱ تحت سه تنش اصلی $\sigma_1 = 160 \text{ Mpa}$ و $\sigma_2 = 30 \text{ Mpa}$ و $\sigma_3 = 5 \text{ Mpa}$ قرار گرفته است. اگر تنش سیلان این آلیاژ برابر 150 Mpa باشد در این صورت احتمال وقوع سیلان در این قطعه:
- ۱) بر اساس ملاک ترسکا وجود دارد در صورتی که بر اساس ملاک فون مایزیس وجود ندارد.
 - ۲) بر اساس ملاک فون مایزیس وجود دارد در صورتی که بر اساس ملاک ترسکا وجود ندارد.
 - ۳) بر اساس هر دو ملاک ترسکا و فون مایزیس وجود دارد.
 - ۴) بر اساس هیچ کدام از دو ملاک ترسکا و فون مایزیس وجود ندارد.

- ۱۲۲- استحکام کششی فولادی برابر با 870 (Mpa) است حد تحمل آن برابر کدام است؟
- (۱) 248 (Mpa) (۲) 435 (Mpa) (۳) 528 (Mpa) (۴) 696 (Mpa)

- ۱۲۳- کاهش اندازه دانه‌های یک فولاد به میزان $\frac{1}{4}$ باعث می‌شود که مقاومت خزشی آن:

(۱) در خزشی دیفوزیونی در مرزدانه (مکانیزم Coble) $\frac{1}{4}$ می‌شود.

(۲) در خزشی دیفوزیونی در مرزدانه (مکانیزم Coble) $\frac{1}{4}$ می‌شود.

(۳) در خزشی دیفوزیونی (مکانیزم Nabbaro-Herring) ۴ برابر می‌شود.

(۴) در خزشی دیفوزیونی (مکانیزم Nabbaro-Herring) ۸ برابر می‌شود.

- ۱۲۴- فولادی با مشخصات زیر مفروض است، اگر صفحه‌ای از این فولاد با ترک سطحی به عمق $\frac{4}{\pi} \text{ cm}$ تحت تنشی تناوبی قرار گیرد. تنش لازم

$$\Delta k_{th} = 4 \text{ MPa} \sqrt{m}$$

$$K_{Ic} = 50 \text{ MPa} \sqrt{m}$$

برای شروع گسترش ترک برابر کدام است؟

- (۱) 17.8 Mpa (۲) 20 Mpa (۳) 223.2 Mpa (۴) 250 Mpa

- ۱۲۵- اختلاف جهت (misorientation) در یک مرز کم زاویه (آلومینیم) 5° درجه می‌باشد. اگر بردار برگرز 0.3 nm باشد فاصله نابجایی‌ها در این مرز برابر کدام است؟

- (۱) 3.43 nm (۲) 6.86 nm (۳) 10.29 nm (۴) 13.72 nm

- ۱۲۶- اگر Q_v انرژی تشکیل یک محل خالی، T دما و R ثابت گازها باشد و K هم ثابت Boltzman در نظر گرفته شود، غلظت محل‌های خالی (c_v) در یک کریستال عبارت است از:

- (۱) $-RT \ln k$ (۲) $RT \ln k$ (۳) $\text{EXP.}(\frac{Q_v}{RT})$ (۴) $\text{EXP.}(-\frac{Q_v}{RT})$

- ۱۲۷- چنانچه (ρ) چگالی نابجایی‌های فعال، (G) مدول برشی، (b) بردار برگرز و (α) ثابت ماده فرض شود، رابطه بین موارد ذکر شده و تنش تسلیم عبارت است از:

- (۱) $\alpha G b \rho^{\frac{-1}{2}}$ (۲) $\alpha G b \rho^{\frac{-1}{4}}$ (۳) $\alpha G b \rho^{\frac{1}{2}}$ (۴) $\alpha G b \rho^{\frac{1}{4}}$

- ۱۲۸- یک ماده حاوی تعدادی نابجایی ولی بدون منبع تولید نابجایی تحت آزمایش کشش قرار می‌دهیم استحکام نهایی این ماده برابر است با:

- (۱) برابر استحکام تسلیم همان ماده
 (۲) برابر استحکام تنوری ماده‌ی بدون نقص
 (۳) قدری بیشتر از استحکام نهایی ماده‌ی مشابهی که دارای منبع تولید نابجایی است.
 (۴) کمتر از استحکام نهایی ماده‌ی مشابهی که دارای منبع تولید نابجایی است.

- ۱۲۹- وقتی یک نابجایی لبه‌ای مثبت و یک نابجایی لبه‌ای منفی، با بردار برگرز برابر هم در یک صفحه لغزش به هم می‌رسند، چه اتفاقی می‌افتد؟

(۱) یک نابجایی با بردار برگرز برابر $2b$ ایجاد می‌شود.

(۲) دو نابجایی همدیگر را قطع می‌کنند و در هر دو پله به وجود می‌آید.

(۳) دو نابجایی همدیگر را دفع می‌کنند و به صفحات دیگر صعود می‌کنند.

(۴) دو نابجایی لبه‌ای با هم ترکیب می‌شوند و حذف می‌شوند.

- ۱۳۰- تعداد سیستم‌های لغزش متداول در شبکه‌های bcc ، hcp ، fcc به ترتیب برابر با و می‌باشد.

- (۱) $48-12-3$ (۲) $48-3-12$ (۳) $3-48-12$ (۴) $3-12-48$

- ۱۳۱- کدام گزینه درباره واکنش نابجایی ذیل در یک سیستم Fcc صادق است؟

$$\frac{1}{6} [11\bar{2}] + \frac{1}{3} [111] \rightarrow \frac{1}{2} [110]$$

(۱) واکنش از نظر انرژی امکان ناپذیر و نابجایی حاصل یک نابجایی ساکن است.

(۲) واکنش از نظر انرژی امکان پذیر و نابجایی حاصل یک نابجایی ساکن است.

(۳) واکنش از نظر انرژی امکان پذیر و نابجایی حاصل یک نابجایی متحرک است.

(۴) واکنش از نظر انرژی امکان ناپذیر و نابجایی حاصل یک نابجایی متحرک است.

۱۳۲- قطعه فولادی تحت اثر تنش دینامیکی با دامنه نوسان (Mpa) ۲۰۰ قرار دارد، در صورتی که قرار باشد این قطعه حداقل 10^8 سیکل تنشی را در مدت عمر خود تحمل نماید، ضریب اطمینان در نظر گرفته شده برابر است با:

$$\sigma_{ts} = 960 \text{ (Mpa)}, \quad \sigma_{ys} = 820 \text{ (Mpa)}$$

(۱) ۲,۰۵ (۲) ۲,۴ (۳) ۴,۱ (۴) ۴,۸

۱۳۳- جهت تمیز دادن آثار تشکیل دوقلوها از لغزش بر روی سطوح یک تک کریستال می توان:

- (۱) از ضخامت بیشتر آثار تشکیل دوقلو نسبت به لغزش استفاده کرد.
- (۲) از ضخامت بیشتر آثار لغزشی نسبت به تشکیل دوقلو استفاده کرد.
- (۳) از اینکه آثار لغزش توسط یک سری خطوط موازی و آثار تشکیل دوقلوها تقریباً حالت انحناء دارند استفاده کرد.
- (۴) سطح نمونه را پولیش و سپس اچ کرد.

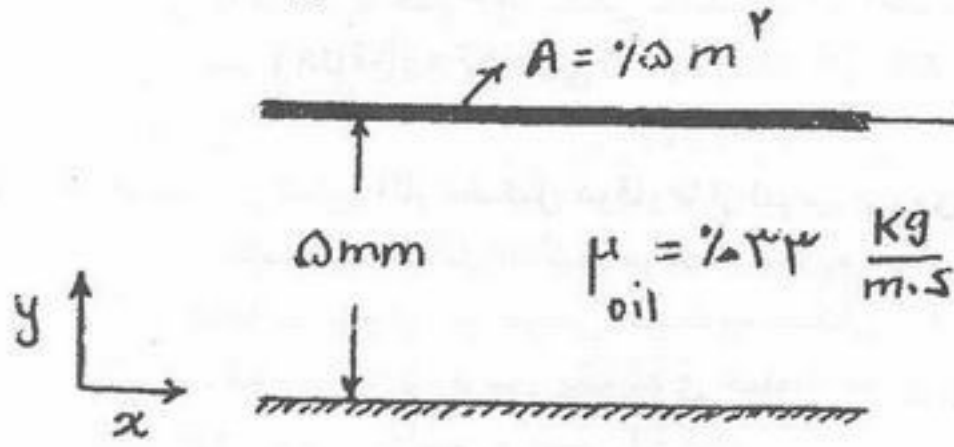
۱۳۴- اختلاف K_{IIC} ، K_{IC} عبارت است از:

- (۱) ابعاد ترک موجود در قطعه
- (۲) شکل ترک موجود در قطعه
- (۳) نوع تنش اعمال شده روی قطعه
- (۴) نوع ترک موجود در قطعه

۱۳۵- کدام یک از جملات ذیل معرف سختی یک ماده است؟

- (۱) مقاومت در مقابل تغییر فرم، الاستیک، پلاستیک و یا سایش ماده
- (۲) مقاومت در مقابل کشش و فشار یک ماده
- (۳) مقاومت در مقابل کشش یک ماده
- (۴) مقاومت در مقابل فشار یک ماده

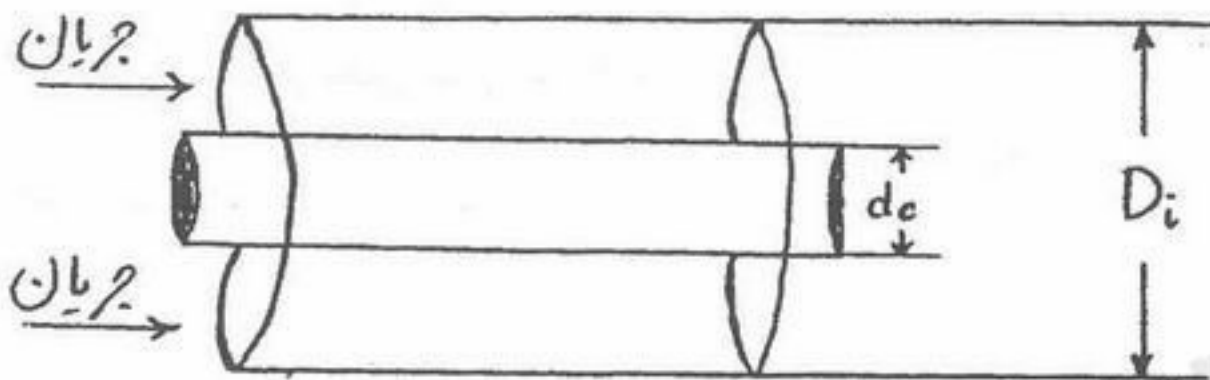
۱۳۶- لایه‌ای از روغن بین دو صفحه موازی مطابق شکل قرار گرفته است. سرعت حرکت صفحه فوقانی را بر حسب $\frac{mm}{s}$ حساب کنید



$(g = 10 \frac{m}{s^2})$

- 1/5 (۱)
- 2 (۲)
- 3 (۳)
- 1.5 (۴)

۱۳۷- قطر معادل دو لوله هم محور مطابق شکل (Annulus) کدام است؟



- $D_i - d_o$ (۱)
- $D_i + d_o$ (۲)
- $\frac{1}{2} D_i + d_o$ (۳)
- $\frac{1}{2} D_i$ (۴)

۱۳۸- بدنه عمودی یک استخر آب به شکل مستطیل دارای ارتفاع ۶ و طول ۱۰ متر می‌باشد. نیروی عمودی وارد بر این بدنه چند نیوتن است؟ (γ وزن مخصوص آب)

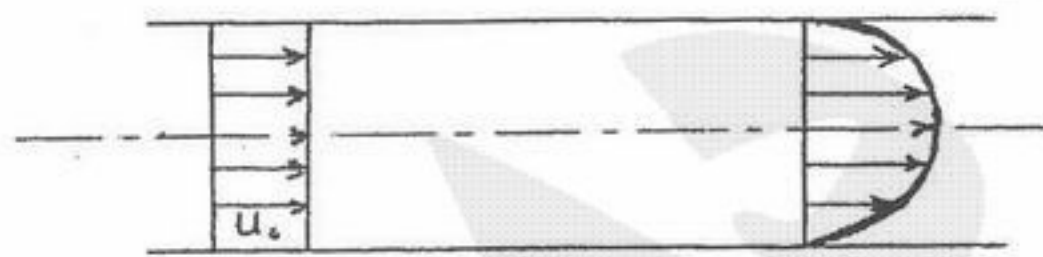
- ۱۰۸ γ (۱)
- ۱۸۰ γ (۲)
- ۲۱۶ γ (۳)
- ۳۶۰ γ (۴)

۱۳۹- برای فیلتر قرار گرفته در لوله با قطر ۰٫۱ متر ثابت افت $K = ۲۰$ است. اگر ضریب اصطکاک لوله $f = ۰٫۰۰۲$ باشد، طول معادل فیلتر چند متر است؟

- ۱ (۱)
- ۱۰ (۲)
- ۱۰۰ (۳)
- ۱۰۰۰ (۴)

۱۴۰- سیالی مطابق شکل با سرعت u_0 به لوله‌ای با قطر ۳ اینچ وارد می‌شود. اگر توزیع سرعت جریان در ابتدا یونیفورم و سپس سهمی شود،

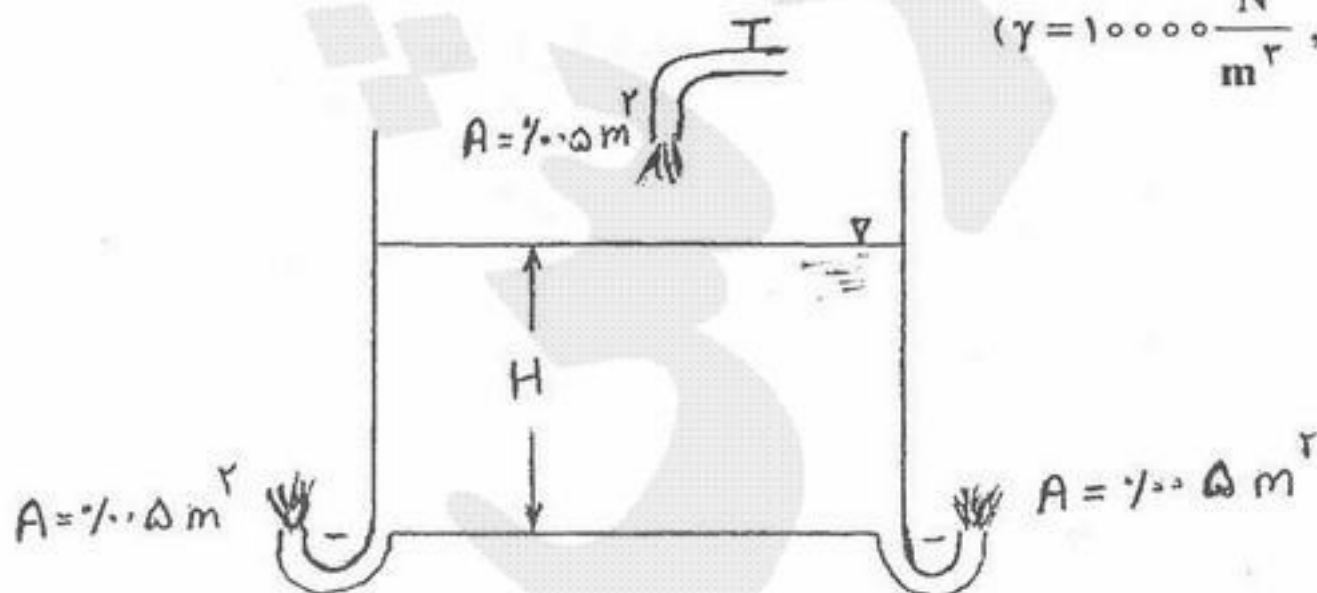
مقدار دبی حجمی سیال چند $\frac{ft^3}{s}$ خواهد بود؟ سرعت ماکزیمم در لوله $۲۰ \frac{ft}{s}$ است.



- ۱٫۹۶ (۱)
- ۷٫۰۵ (۲)
- ۰٫۴۹ (۳)
- ۱۰ (۴)

۱۴۱- تانک به وزن $۱۰۰۰ N$ روی ترازو قرار گرفته است. سطح مقطع تانک $۱ m^2$ است. با باز کردن شیر ۱ ارتفاع مایع در تانک افزایش یافته و نهایتاً در $H = ۱ m$ ثابت باقی می‌ماند. در این حالت ترازو چه عددی را نشان خواهد داد؟ سطح مقطع دو جت خروجی از تانک و جت ورودی به تانک برابر $۰٫۰۰۵ m^2$ است. $(\gamma = ۱۰۰۰۰ \frac{N}{m^3}, g = ۱۰ \frac{m}{s^2})$

۶۰۰ N (۱)



- ۱۶۰۰ N (۲)
- ۱۱۰۰۰ N (۳)
- ۱۱۶۰۰ N (۴)

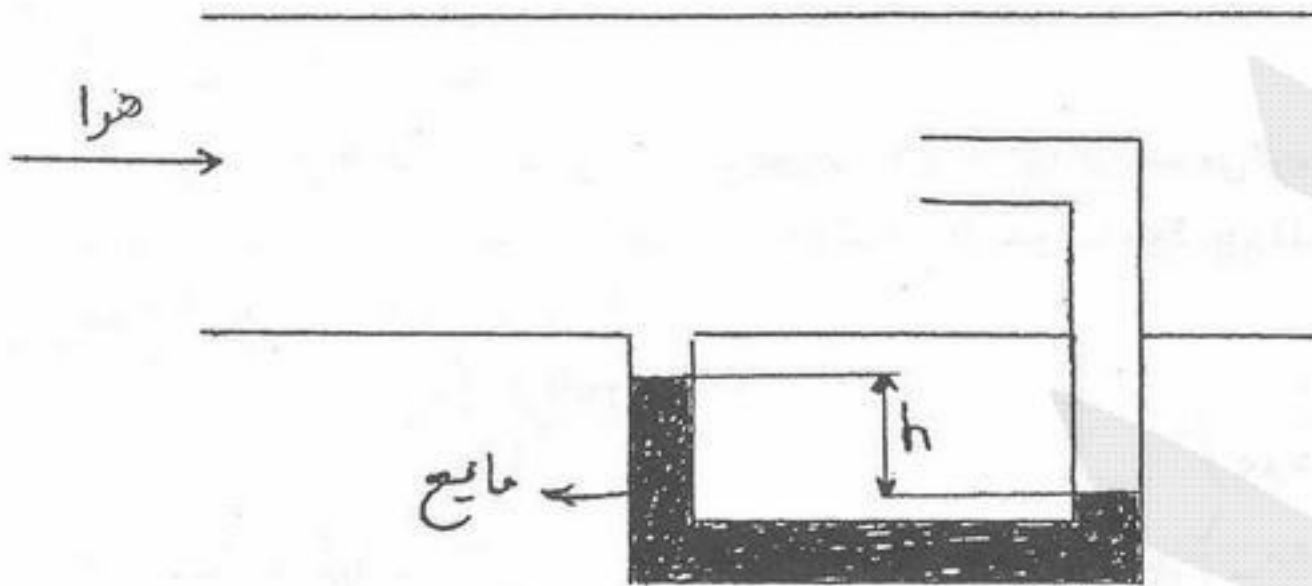
۱۴۲- اگر برای جریانی $V_x = 2 \frac{m}{s}$ و $V_y = 3 + t$ باشد آنگاه:

(۱) جریان غیر دائم است و معادله خط جریان $y = \frac{3+t}{2}x$ است. (۲) جریان دائم است و معادله خط جریان $y = \frac{3+t}{2}x$ است.

(۳) جریان دائم است و معادله خط جریان $y = \frac{3}{2}x + t$ است. (۴) جریان غیر دائم است و معادله خط جریان $y = \frac{3}{2}x + t$ است.

۱۴۳- اگر مطابق شکل سرعت هوا در محور لوله برابر با $20 \frac{m}{s}$ باشد ارتفاع h در مانومتر متصل به لوله چند mm است؟ $\frac{\gamma_w}{\gamma_a} = 1001$ که γ_w

وزن مخصوص مایع و γ_a وزن مخصوص هوا است ($g = 10 \frac{m}{s^2}$).



(۱) ۲۰

(۲) ۳۰

(۳) ۵۰

(۴) ۱۰

۱۴۴- روغنی با ویسکوزیته 40 cp از روی کره‌ای با قطر 1 cm و با سرعت $0.5 \frac{mm}{s}$ بصورت افقی عبور می‌کند. نیروی وارد شده از طرف سیال

به کره در جهت حرکت چند N است؟ دانسیته سیال $800 \frac{kg}{m^3}$ می‌باشد.

(۴) 1.88×10^{-2}

(۳) 1.88×10^{-6}

(۲) 9.42×10^{-2}

(۱) 9.42×10^{-7}

۱۴۵- پمپی در مجاور یک مخزن قرار گرفته است. اگر هد فشار بر روی سیال مخزن 12 m ، هد تلفات بخش مکش 4 m و هد فشار بخار 2 m باشد، حداقل ارتفاع پمپ از مخزن چقدر باشد تا $NPSH$ در بخش مکش پمپ 10 m باشد.

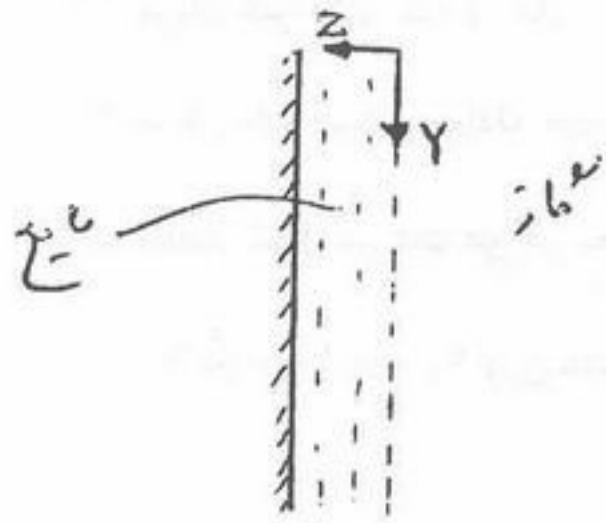
(۱) ۴ متر بالای مخزن نصب شود.

(۲) ۴ متر پایین‌تر از مخزن نصب شود.

(۳) ۰٫۴ متر پایین‌تر از مخزن نصب شود.

(۴) ۰٫۴ متر بالای مخزن نصب شود.

۱۴۶- در شکل پایین، فیلمی از مایع بروی صفحه‌ای بطور قائم در جهت پایین در جریان است. این مایع با گاز A در تماس است. چنانچه گاز در مایع حل شود، معادله دیفرانسیل تغییرات غلظت در حالت پایدار در مایع به صورت رابطه زیر مطرح می‌شود؟



$$U_y \frac{dC_A}{dy} = D_{AB} \frac{dC_A}{dz} \quad (1)$$

$$U_y \frac{d^2 C_A}{dy^2} = D_{AB} \frac{dC_A}{dy} \quad (2)$$

$$U_y \frac{dC_A}{dy} = D_{AB} \frac{d^2 C_A}{dy^2} \quad (3)$$

$$U_y \frac{dC_A}{dy} = D_{AB} \frac{d^2 C_A}{dz^2} \quad (4)$$

۱۴۷- یک جرم کرووی از جنس نفتالین در یک محیط ساکن از هوا تصعید می‌گردد. اگر سرعت تصعید به اندازه‌ای کم باشد که از تغییر قطر صرف‌نظر شود میزان تصعید w بر حسب شعاع کره R_o ، ضریب نفوذ D_{AB} ، فشار کل P_T ، دما T و جزو مولی نفتالین در هوای اشباع x_{AS} کدام‌یک از روابط زیر است؟

$$w = \frac{4\pi R_o P_T}{RT D_{AB}} \ln\left(\frac{1}{1-x_{AS}}\right) \quad (2)$$

$$w = \frac{4\pi R_o P_T D_{AB}}{RT} \ln\left(\frac{x_{AS}}{1-x_{AS}}\right) \quad (4)$$

$$w = \frac{4\pi R_o P_T D_{AB}}{RT} \ln\left(\frac{1}{1-x_{AS}}\right) \quad (1)$$

$$w = \frac{4\pi R_o}{RTP_T D_{AB}} \ln\left(\frac{1}{1-x_{AS}}\right) \quad (3)$$

۱۴۸- در ستون‌های packed هدف از redistributor کدام است؟

- (۲) جلوگیری از کانالیزه شدن فازها
- (۴) همه موارد

- (۱) جلوگیری از خرد شدن packing
- (۳) جلوگیری از افت فشار زیاد

۱۴۹- اگر دارای یک فرآیند متوالی متقابل (counter current) باشیم در صورتی که نسبت شیب خط تبادل یا عمل (operating line) به تعادل برابر واحد باشد، در رابطه با ماکزیمم نیروی محرکه (Driving force) انتقال جرم چه می‌توان گفت؟

- (۱) در طول فرآیند ثابت است.
- (۲) در طول فرآیند افزایش می‌یابد.
- (۳) در طول فرآیند کاهش می‌یابد.
- (۴) نیروی محرکه با نسبت شیب خطوط مذکور رابطه‌ای ندارد.

۱۵۰- در یک برج دفع متقابل (Countercurrent) آمونیاک موجود در آب توسط جریان هوا از آن جدا می‌گردد. هوای خالص از پایین برج وارد و با ۲۵ درصد حجمی آمونیاک از آن خارج می‌گردد. اگر حداکثر غلظت آمونیاک در آب خروجی از پایین برج $X_2 = 0.2$ باشد حداکثر نسبت $\frac{L}{G}$ را برای این برج محاسبه کنید. (منحنی تعادل برای این سیستم $Y=X$ فرض شود) X ، Y ، نسبت مولی (mole ratio) هستند.

- (۱) ۱.۲۵
- (۲) ۱.۶۷
- (۳) ۲.۳۴
- (۴) ۲.۵

۱۵۱- اگر مکانیزم انتقال جرم ماده‌ای به دروک یک کره جامد، نفوذ مولکولی باشد در حالت پایا (steady state) کدام عبارت در خصوص شار (flux) انتقال جرم در راستای شعاعی کره صحیح است؟

- (۱) مقدار ثابت $\frac{N_{Ar}}{r}$
- (۲) مقدار ثابت $N_{Ar} \cdot r$
- (۳) مقدار ثابت $N_{Ar} \cdot r^2$
- (۴) مقدار ثابت N_{Ar}

۱۵۲- رفتار تعادلی در یک سیستم شیمیایی به صورت $y = 0.01x$ داده شده است. در این سیستم بیشترین مقاومت در کدام فاز است؟

- (۱) فاز گاز
- (۲) اگر ضرایب انتقال جرم فیلمی گاز و مایع تقریباً مساوی باشند، فاز مایع بیشترین مقاومت را می‌تواند داشته باشد.
- (۳) اگر ضرایب انتقال جرم فیلمی گاز و مایع تقریباً برابر باشند، فاز گاز بیشترین مقاومت را می‌تواند داشته باشد.
- (۴) فاز مایع

۱۵۳- یک آکنه (Packing) بهترین عملکرد (Performance) را در برج‌های عملیاتی انتقال جرم بازی می‌کند اگر:

- (۱) تخلخل (ε) زیاد داشته باشد.
- (۲) نسبت سطح ویژه به تخلخل (ε) آن کوچک باشد.
- (۳) دارای سطح ویژه زیاد باشد.
- (۴) دارای سطح ویژه و تخلخل (ε) زیاد باشد.

۱۵۴- در یک برج آکنده در مقادیر مشخص گاز و مایع حالت طغیان (Flooding) ایجاد شده است. برای از بین بردن حالت طغیان بدون تغییر دادن مقادیر جریان‌های گاز و مایع کدامیک از موارد زیر را پیشنهاد می‌کنید؟

- (۱) افزایش دمای فاز گاز و کاهش دمای فاز مایع
 (۲) تعویض آکنه (Packing) برج
 (۳) کاهش دمای فاز گاز و افزایش دمای فاز مایع
 (۴) وارد کردن گاز در نقاط مختلف برج

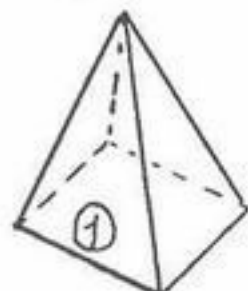
۱۵۵- لایه‌ای از مایع فرار در کف مخزنی باز قرار دارد. اگرشار مولی تبخیر پایا (steady state) با N_A و دانسیته مایع با ρ و جرم مولکولی با M نشان دهیم کدامیک از روابط زیر می‌توان تبخیر ضخامت مایع z را بر حسب زمان نشان می‌دهد؟ (x کسر مولی (mole fraction) است.)

$$\frac{dz}{dt} = N_A \frac{\rho}{M} \quad (۱) \quad \frac{dz}{dt} = N_A \frac{M}{\rho} \quad (۲) \quad \frac{dz}{dt} = \left(\frac{1}{N_A x} \frac{\rho}{M} \right) \quad (۳) \quad \frac{dz}{dt} = N_A M \rho \quad (۴)$$

- ۱۵۶- پدیده گلخانه‌ای (Greenhouse) در مورد جو زمین، بر اساس اختلاف کدام ضریب‌ها استوار است؟
 (۱) ضریب عبور تابش خورشیدی و ضریب عبور تابش گرمایی سطح زمین
 (۲) ضریب جذب و ضریب بازتاب جو زمین
 (۳) ضریب جذب گرمایی جسم سیاه و جسم خاکستری
 (۴) ضریب جذب و ضریب نشر گازهای گلخانه‌ای

- ۱۵۷- به چه دلیل تابع توزیع شدت تابش دریافتی از خورشید بر حسب طول موج در سطح زمین دندانانه - دندانانه است؟
 (۱) تنها در محدوده مرئی چنین است.
 (۲) چون خورشید جسم سیاهی تلقی می‌شود.
 (۳) چون در بیرون از جو تابع پیوسته‌ای است.
 (۴) چون اجزای سه اتمی در اتمسفر در برخی از طول موج‌ها کاملاً جذب و در برخی دیگر کاملاً شفاف‌اند.

- ۱۵۸- قاعده مربع شکل یک هرم را سطح ۱ و وجوه جانبی را ۲ تا ۵ می‌نامیم. ضریب وضعی کف به هر کدام از وجوه F_{1j} برابر کدام است؟



- (۱) ۰,۲۵
 (۲) ۰,۵
 (۳) ۰,۷۵
 (۴) ۱

- ۱۵۹- در یک مبدل حرارتی، اگر ضریب انتقال حرارت جابجایی در سطح داخلی لوله و در سطح خارجی لوله به ترتیب برابر $5 \text{ W/m}^2 \text{ } ^\circ\text{C}$ و $20 \text{ W/m}^2 \text{ } ^\circ\text{C}$ باشد، ضریب انتقال حرارت کلی، U در صورتی که مقاومت جداره قابل چشم‌پوشی باشد برابر کدام است؟
 (۱) ۶ (۲) ۴ (۳) ۸ (۴) ۱۲,۵

- ۱۶۰- یک بلوک فلزی از همه طرف عایق‌بندی شده و فقط سطح بالای آن در تماس با هوا با دمای T_∞ و ضریب جابجایی h می‌باشد. اگر جذب حرارت خورشید توسط بلوک فلزی $\frac{W}{m^2}$ و ضریب نشر سطح فلز ϵ باشد دمای سطح فلز از کدام رابطه زیر بدست خواهد آمد؟

$$q'' - h(T_w - T_\infty) + \epsilon\sigma(T_w^f - T_\infty^f) = 0 \quad (2)$$

$$q'' + h(T_w - T_\infty) - \epsilon\sigma(T_w^f - T_\infty^f) = 0 \quad (1)$$

$$q'' + h(T_w - T_\infty) + \epsilon\sigma(T_w^f - T_\infty^f) = 0 \quad (4)$$

$$q'' - h(T_w - T_\infty) - \epsilon\sigma(T_w^f - T_\infty^f) = 0 \quad (3)$$

- ۱۶۱- سیالی با دمای 100°C از داخل لوله فلزی با جداره خیلی نازک می‌گذرد. ضریب انتقال حرارت در داخل لوله $2000 \text{ W/m}^2 \text{ } ^\circ\text{C}$ و در بیرون لوله $100 \text{ W/m}^2 \text{ } ^\circ\text{C}$ می‌باشد. اگر لوله در معرض هوای 20°C باشد دمای سطح بیرونی لوله به صورت تقریبی برابر است با:
 (۱) $22,2^\circ\text{C}$ (۲) $25,2^\circ\text{C}$ (۳) $29,8^\circ\text{C}$ (۴) 100°C

- ۱۶۲- آب در داخل یک لوله فلزی با جداره بسیار نازک بوسله بخاری که کندانس می‌گردد به حالت جوش در می‌آید. در حالت جوش مقاومت کنترل کننده بین آب و دیواره بخار مورد نظر می‌باشد:

- (۱) مقاومت کنترل کننده در آب جوش است.
 (۲) مقاومت کنترل کننده در بخار در حالت کندانس می‌باشد.
 (۳) مقاومت کنترل کننده دیواره فلزی است.
 (۴) هیچ کدام مقاومت کنترل کننده نیستند.

- ۱۶۳- برای جریان یک سیال A روی یک صفحه تخت با عداد پرانتل 10 در صورتی که ضخامت لایه مرزی حرارتی 10 برابر ضخامت لایه مرزی سرعت باشد این نسبت برای سیال B با عدد پرانتل 100 چقدر است؟
 (۱) ۱۰ (۲) ۱۰۰ (۳) ۲۰۰ (۴) ۴۰۰

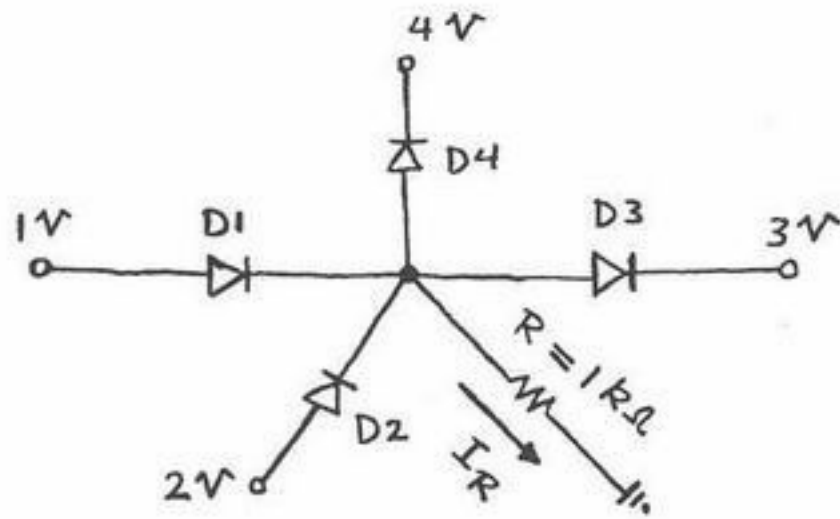
- ۱۶۴- سیالی با سرعت و دمای یکنواخت از داخل یک لوله مدور با قطر D و یک لوله با سطح مقطع مثلثی با قطر هیدرولیکی D عبور می‌کند. دمای دیواره هر دو لوله یکسان و ثابت و جریان آرام است. در حالت پایا کدام یک از جملات زیر صحیح است؟

- (۱) ضریب جابجایی انتقال حرارت در هر دو کانال در ابتدای کانال کمتر بوده و این پارامتر برای لوله کمتر از لوله مثلثی شکل است.
 (۲) ضریب جابجایی انتقال حرارت در هر دو کانال در ابتدای کانال کمتر بوده و این پارامتر برای لوله بیشتر از لوله مثلثی شکل است.
 (۳) ضریب جابجایی انتقال حرارت در هر دو کانال در ابتدای کانال بیشتر بوده و این پارامتر برای لوله بیشتر از لوله مثلثی شکل است.
 (۴) ضریب جابجایی انتقال حرارت در هر دو کانال در ابتدای کانال بیشتر بوده و این پارامتر برای لوله کمتر از لوله مثلثی شکل است.

- ۱۶۵- سیالی از درون لوله حرکت کرده و گرم می‌شود و در آن انتقال حرارت به صورت جابجایی اجباری و آزاد صورت می‌گیرد. کدام یک از جملات زیر صحیح است؟ (Gr عدد گراشوف، Re عدد رینولدز و Pr عدد پرانتل است.)

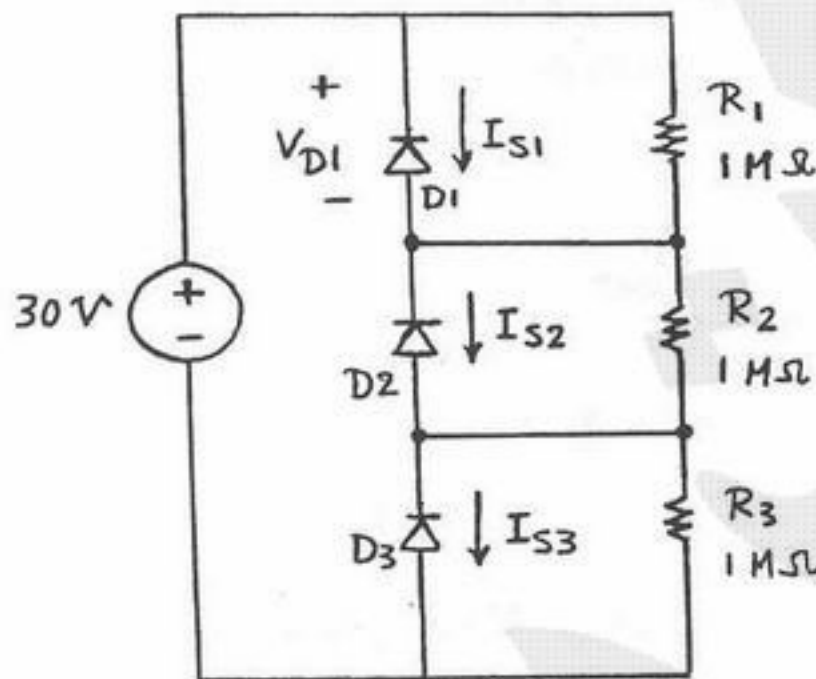
- (۱) در صورتی که $\frac{Gr}{Re^2} \ll 10$ باشد جابجایی آزاد در مقایسه با جابجایی اجباری کوچک است.
 (۲) در صورتی که $\frac{Gr.Pr}{Re} \ll 10$ باشد جابجایی آزاد در مقایسه با جابجایی اجباری کوچک است.
 (۳) در صورتی که $\frac{Gr}{Pr} \ll 10$ باشد جابجایی آزاد در مقایسه با جابجایی اجباری کوچک است.
 (۴) در صورتی که $\frac{Gr}{Re.Pr} \ll 10$ باشد جابجایی آزاد در مقایسه با جابجایی اجباری کوچک است.

۱۶۶- در مدار شکل زیر دیودهای D_1 تا D_4 ایده آل هستند. جریان گذرنده از مقاومت R یعنی I_R برابر است با:



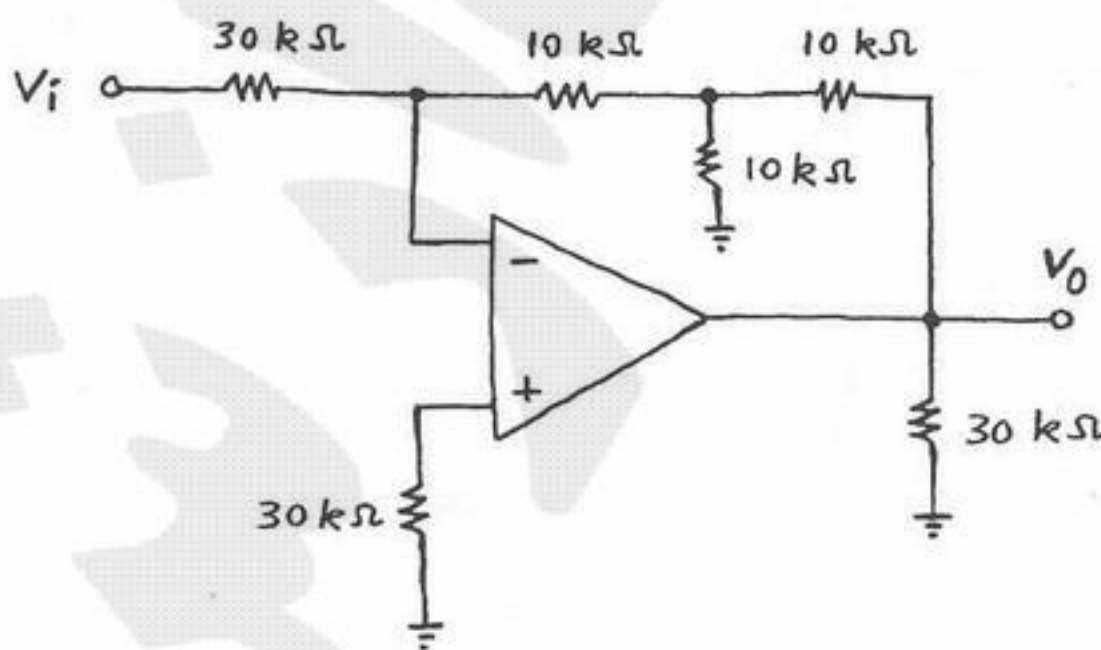
- (۱) $I_R = 3 \text{ mA}$
- (۲) $I_R = 4 \text{ mA}$
- (۳) $I_R = 1 \text{ mA}$
- (۴) $I_R = 2 \text{ mA}$

۱۶۷- در مدار شکل زیر جریان‌های بایاس معکوس دیودهای D_1 تا D_3 به ترتیب به صورت $I_{S1} = 10 \mu\text{A}$ ، $I_{S2} = 11 \mu\text{A}$ و $I_{S3} = 12 \mu\text{A}$ هستند. ولتاژ بایاس معکوس دو سر دیود D_1 برابر است با:



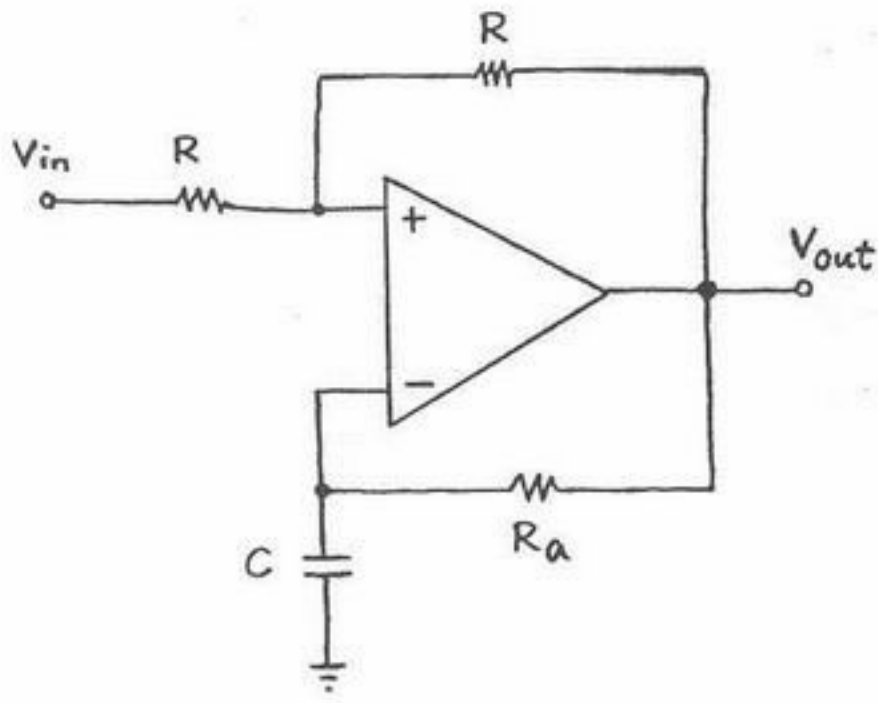
- (۱) $V_{D1} = 9 \text{ V}$
- (۲) $V_{D1} = 10 \text{ V}$
- (۳) $V_{D1} = 11 \text{ V}$
- (۴) $V_{D1} = 12 \text{ V}$

۱۶۸- در مدار شکل زیر تقویت کننده عملیاتی ایده آل است. مقدار بهره ولتاژ $A_v = \frac{V_o}{V_i}$ آن برابر است با:



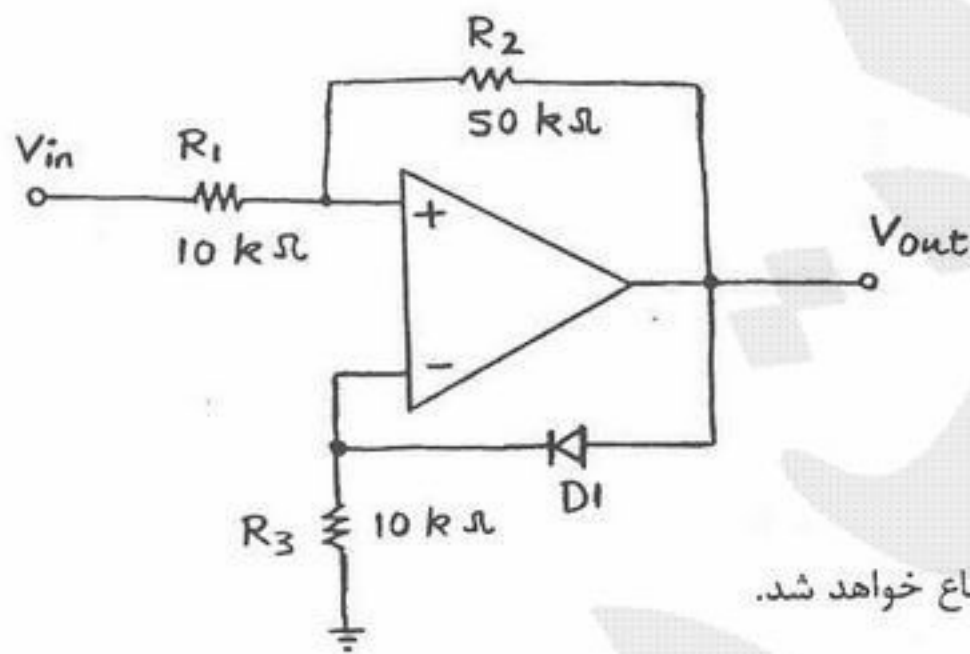
- (۱) $A_v = -1 \frac{V}{V}$
- (۲) $A_v = -3 \frac{V}{V}$
- (۳) $A_v = +1 \frac{V}{V}$
- (۴) $A_v = +3 \frac{V}{V}$

۱۶۹- در مدار شکل زیر Op - Amp ایده آل است. به ازای چه فرکانس‌هایی این مدار پایدار خواهد بود و یا به عبارتی دیگر خروجی V_{out} آن به اشباع نخواهد رفت؟



- (۱) $S < \frac{1}{RC}$
- (۲) $S > \frac{1}{R_a C}$
- (۳) $S < \frac{1}{R_a C}$
- (۴) $S \neq \frac{1}{R_a C}$

۱۷۰- در مدار شکل زیر دیود D_1 ایده آل بوده و مشخصات Op - Amp داده شده‌اند. اگر سیگنال ورودی V_{in} همیشه کوچکتر از صفر ولت باشد، در این صورت ولتاژ خروجی V_{out} به چه صورتی خواهد بود؟ $Op - Amp : A = \infty, R_i = \infty, R_o = 0$



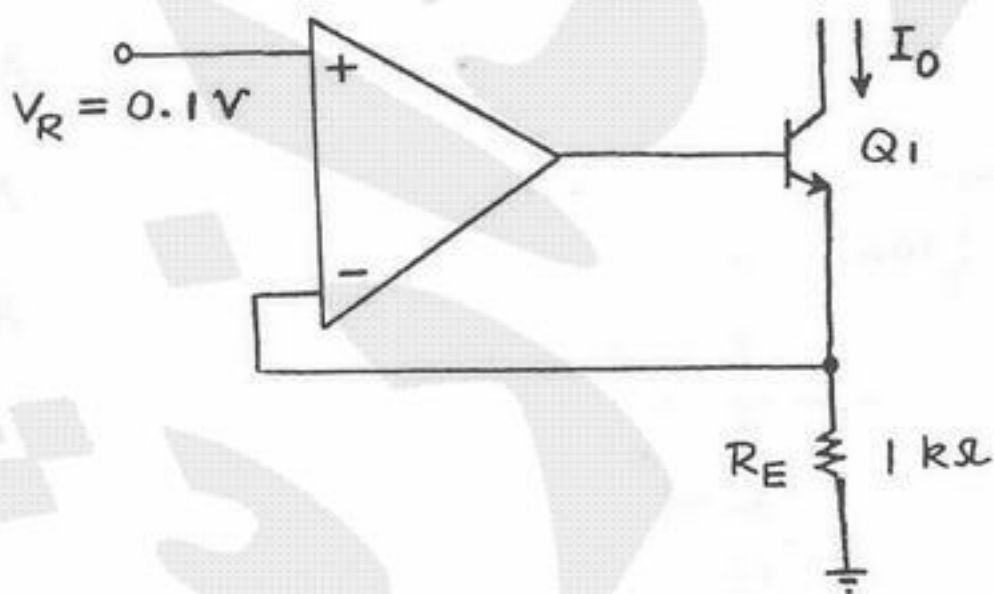
- (۱) $V_{out} = 0.8 V_{in}$
- (۲) $V_{out} = 25 V_{in}$
- (۳) $V_{out} = 5 V_{in}$

(۴) چون فیدبک مدار مثبت است، ولتاژ خروجی V_{out} اشباع خواهد شد.

۱۷۱- مقدار جریان I_0 در مدار شکل زیر تقریباً برابر است با:

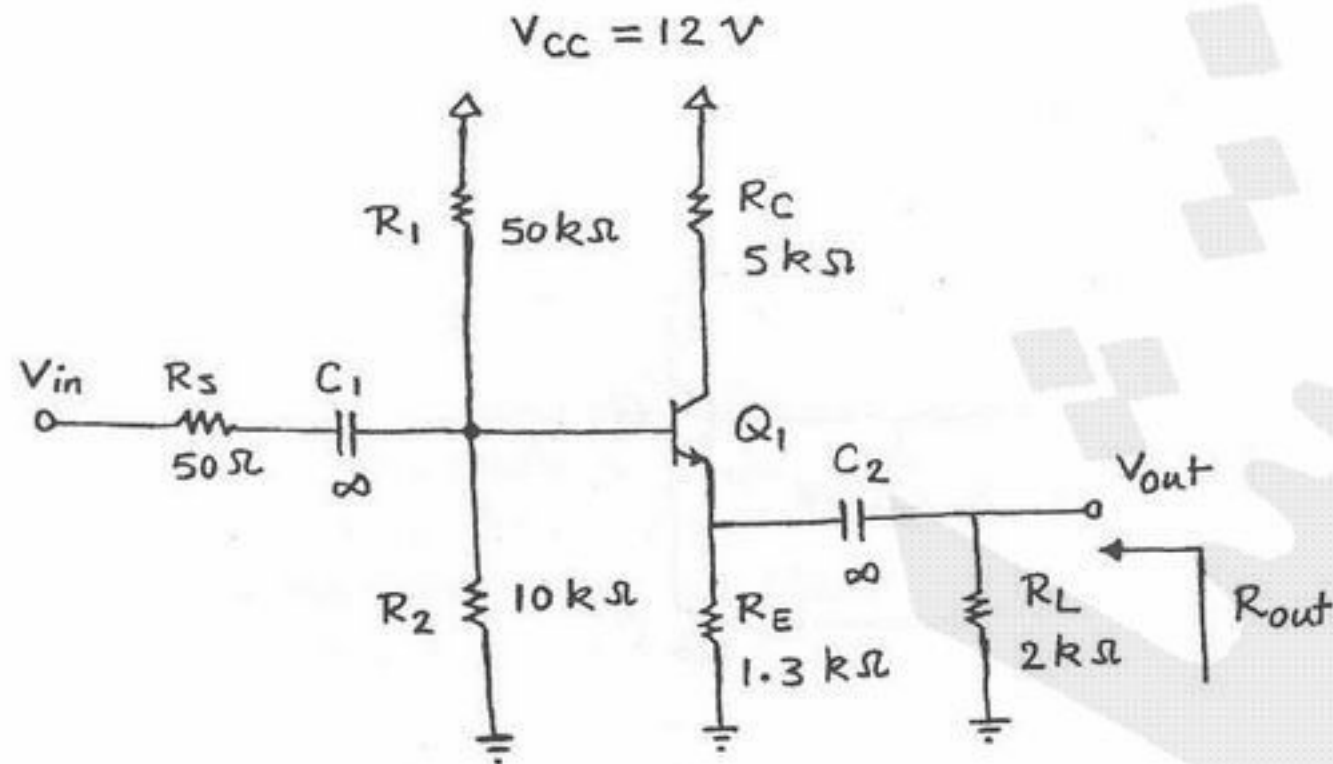
Op - Amp : $A = \infty, R_i = \infty, R_o = 0$
 $Q_1 : \beta = 100, V_T = 25 mV, V_A = \infty$

- (۱) $I_0 = 82 \mu A$
- (۲) $I_0 = 87 \mu A$
- (۳) $I_0 = 90 \mu A$
- (۴) $I_0 = 100 \mu A$



۱۷۲- مقدار مقاومت خروجی R_{out} مدار شکل زیر تقریباً برابر است با:

$$V_{BE(ON)} = 0.7 \text{ V}, \beta = 100, V_{CE,sat} = 0.2 \text{ V}, V_T = 25 \text{ mV}$$



$$R_{out} = 100 \Omega \quad (1)$$

$$R_{out} = 75 \Omega \quad (2)$$

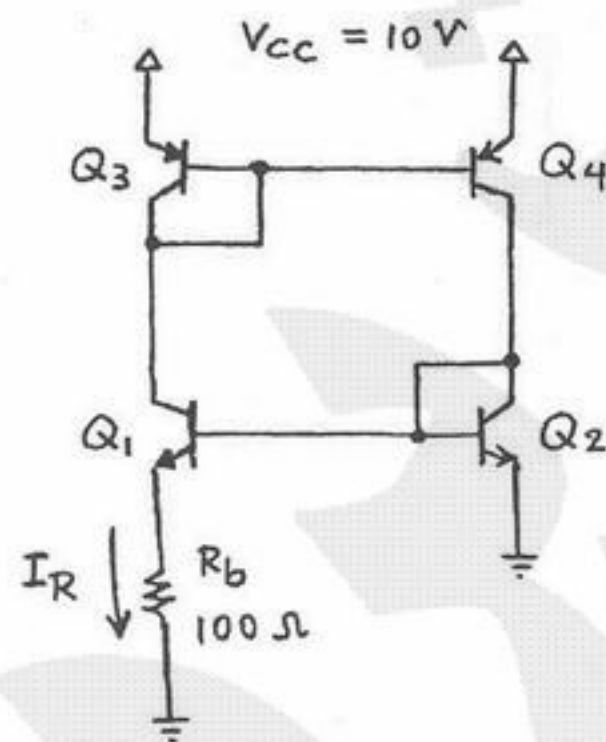
$$R_{out} = 50 \Omega \quad (3)$$

$$R_{out} = 25 \Omega \quad (4)$$

۱۷۳- در مدار شکل زیر ترانزیستورهای Q_1, Q_2, Q_3 و Q_4 یکسان هستند و مساحت پیوند بیس-امیتر Q_1 ده برابر Q_2 است. با فرض β بزرگ

$$V_{BE} = 50 \text{ mV} \times \log \frac{I_C}{I_S}, I_{S2} = 10^{-15} \text{ A}$$

جریان گذرنده از مقاومت R_B تقریباً برابر است با:



$$I_R = 1.0 \text{ mA} \quad (1)$$

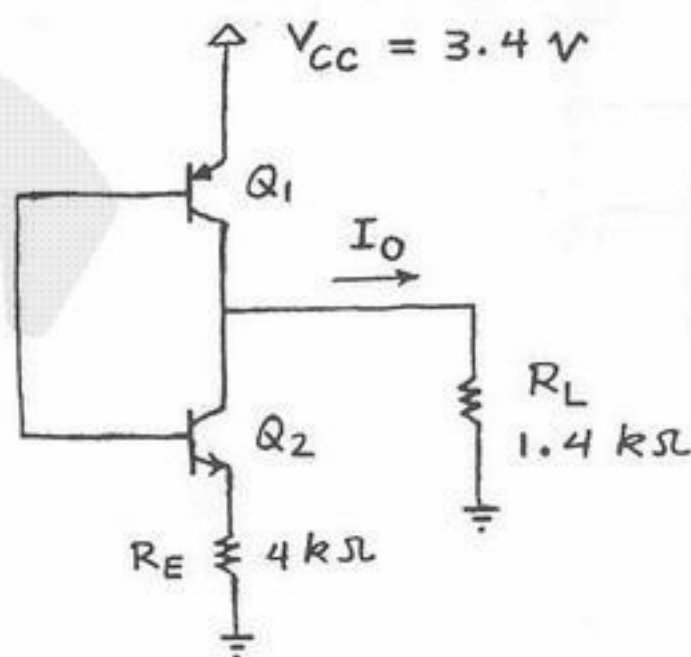
$$I_R = 0.5 \text{ mA} \quad (2)$$

$$I_R = 0.25 \text{ mA} \quad (3)$$

$$I_R = 2 \text{ mA} \quad (4)$$

۱۷۴- در مدار شکل زیر مقدار جریان خروجی I_O تقریباً برابر است با:

$$\beta_1 = 100, \beta_2 = 20, |V_{BE(ON)}| = 0.7 \text{ V}, |V_{CE,sat}| = 0.2 \text{ V}$$



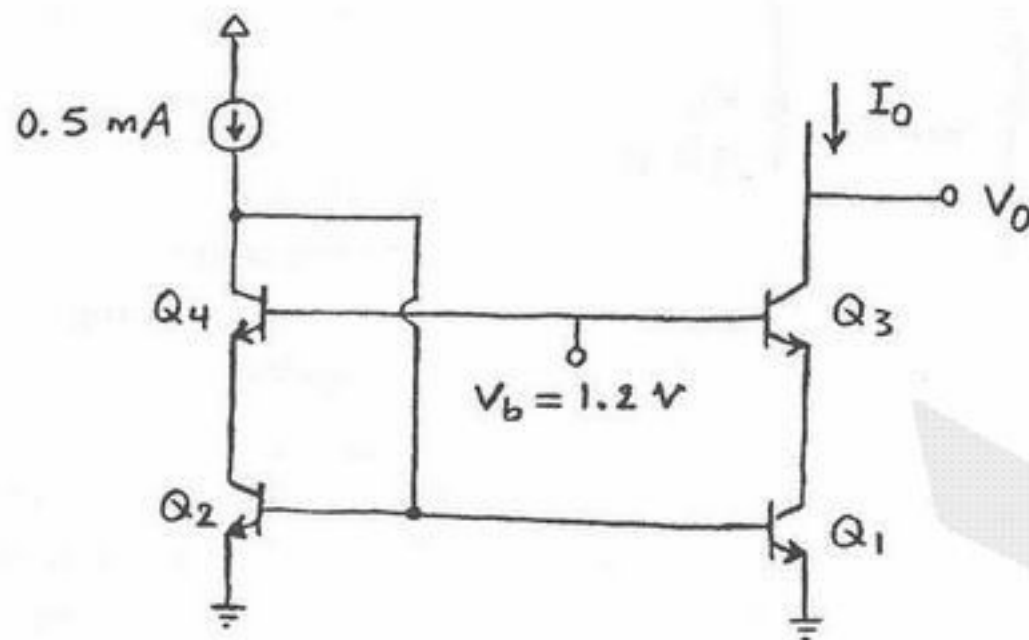
$$I_O = 0 \quad (1)$$

$$I_O = 0.5 \text{ mA} \quad (2)$$

$$I_O = 2.5 \text{ mA} \quad (3)$$

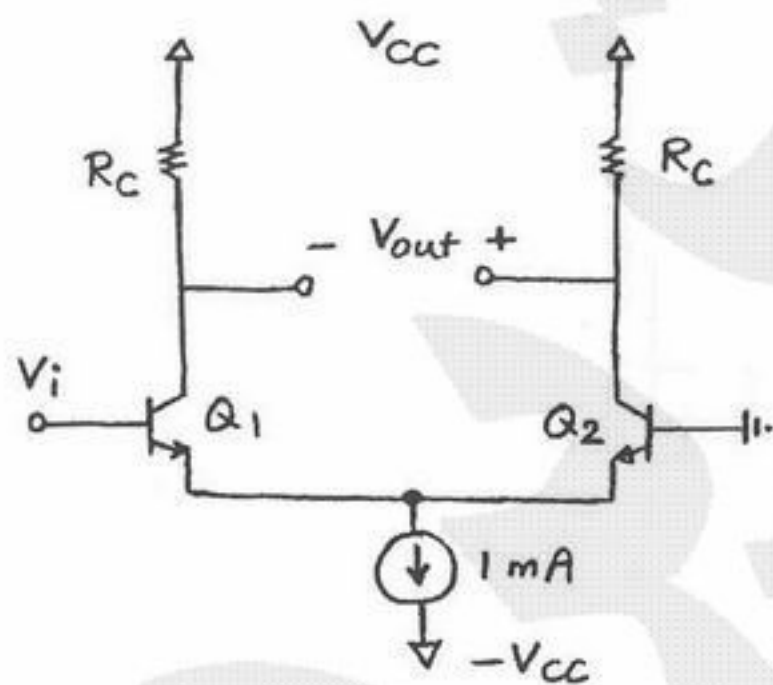
$$I_O = 2 \text{ mA} \quad (4)$$

۱۷۵- در مدار شکل زیر ترانزیستورهای Q_1 تا Q_4 با هم یکسان هستند. حداقل ولتاژ خروجی V_O چقدر باید باشد تا همه ترانزیستورهای مدار در ناحیه فعال باقی بمانند؟ $V_A = \infty$ ، $V_{CE,sat} = 0.2 V$ ، $V_{BE(ON)} = 0.7 V$ ، $\beta = 100$



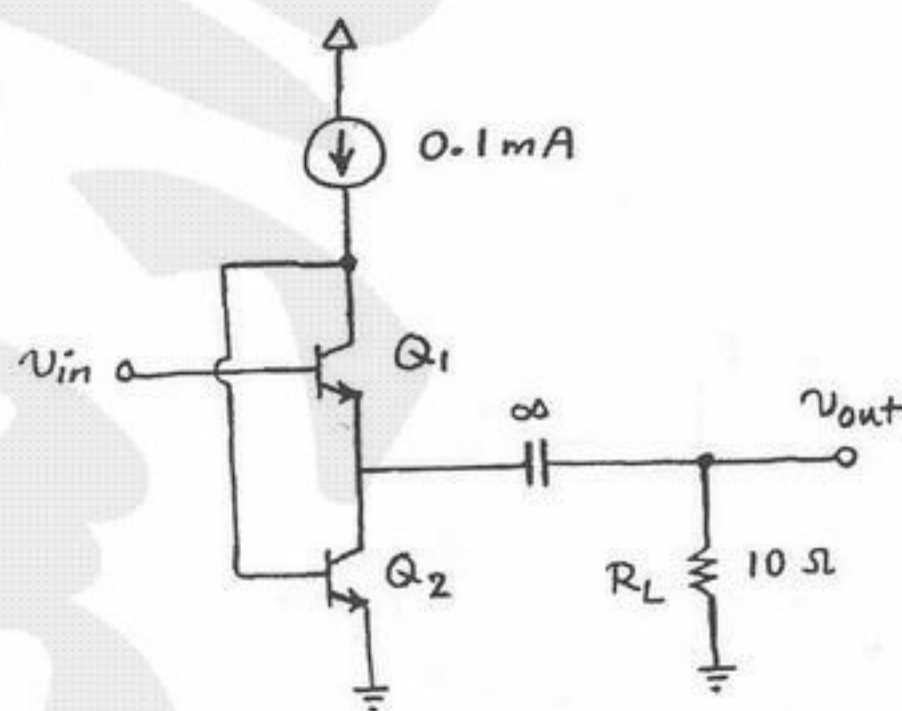
- (۱) $V_O \geq 0.7 V$
- (۲) $V_O \geq 0.9 V$
- (۳) $V_O \geq 0.4 V$
- (۴) $V_O \geq 0.5 V$

۱۷۶- در مدار شکل زیر مساحت پیوند بیس - امیتر ترانزیستور Q_1 ده برابر Q_2 است. به ازای چه مقداری از ورودی V_i ، ولتاژ خروجی V_{out} صفر خواهد بود؟ ترانزیستورهای Q_1 و Q_2 در ناحیه فعال بایاس شده‌اند. $V_{BE} = 50 mV \times \log \frac{I_C}{I_S}$



- (۱) $V_i = +25 mV$
- (۲) $V_i = +50 mV$
- (۳) $V_i = -25 mV$
- (۴) $V_i = -50 mV$

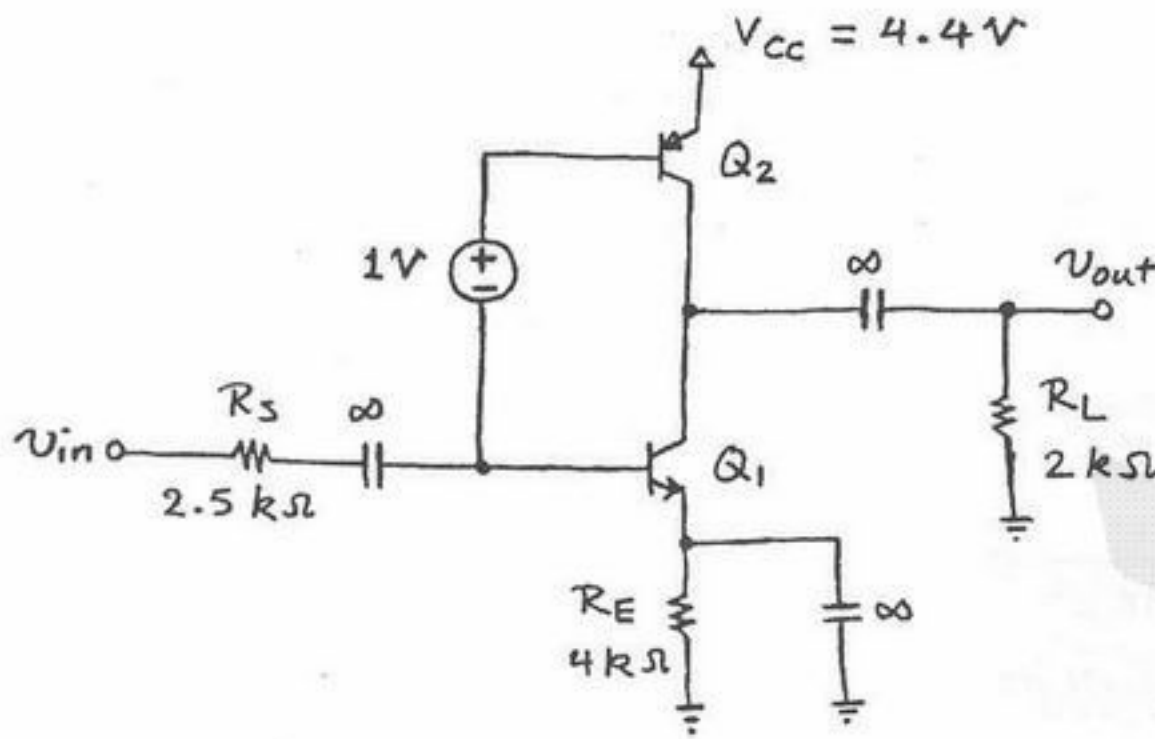
۱۷۷- در مدار شکل زیر ترانزیستورهای Q_1 و Q_2 در ناحیه فعال بایاس شده‌اند. مقدار بهره ولتاژ $A_v = \frac{v_{out}}{v_{in}}$ آن تقریباً برابر است با:



- $\beta = 100$ ، $V_T = 25 mV$ ، $V_A = \infty$
- (۱) $A_v = 1/0 \frac{V}{V}$
 - (۲) $A_v = 0/4 \frac{V}{V}$
 - (۳) $A_v = 0/6 \frac{V}{V}$
 - (۴) $A_v = 0/8 \frac{V}{V}$

۱۷۸- در مدار شکل زیر ترانزیستورهای Q_1 و Q_2 در ناحیه فعال بایاس شده‌اند. مقدار بهره ولتاژ $A_v = \frac{v_{out}}{v_{in}}$ آن تقریباً برابر است با:

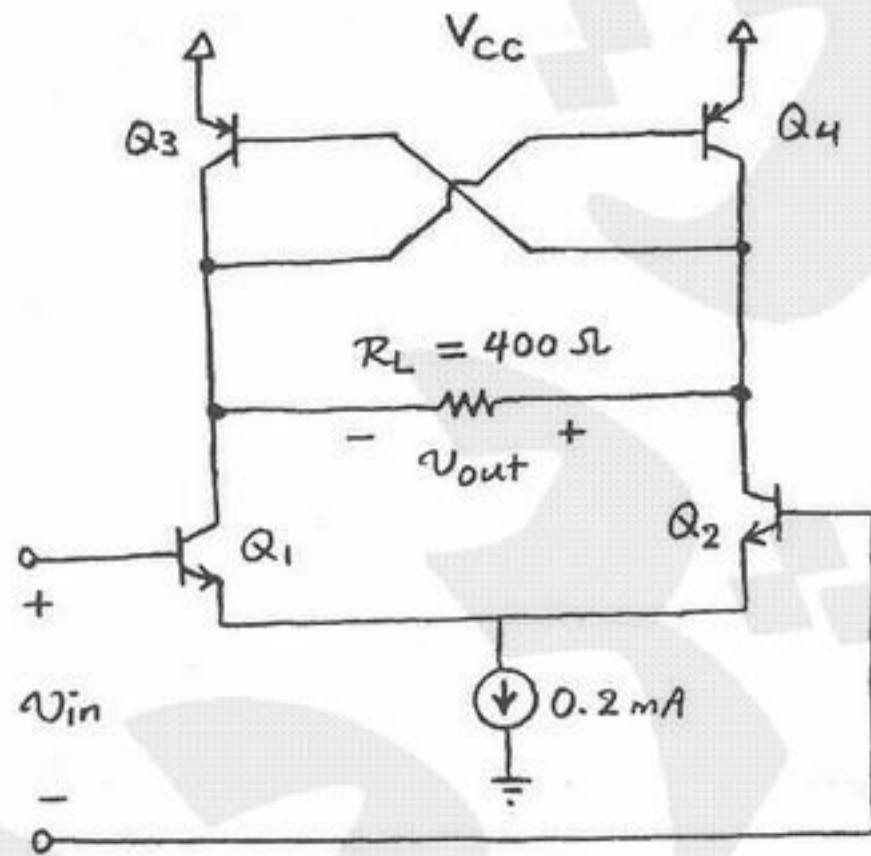
$|V_{BE(ON)}| = 0.7 V, \beta = 100, V_T = 25 mV, V_A = \infty$



- (۱) $A_v = -10 \frac{V}{V}$
- (۲) $A_v = -20 \frac{V}{V}$
- (۳) $A_v = -40 \frac{V}{V}$
- (۴) $A_v = -80 \frac{V}{V}$

۱۷۹- در مدار شکل زیر ترانزیستورهای Q_1 تا Q_4 در ناحیه فعال بایاس شده‌اند و ترانزیستورهای متناظر با هم یکسان هستند. مقدار بهره ولتاژ

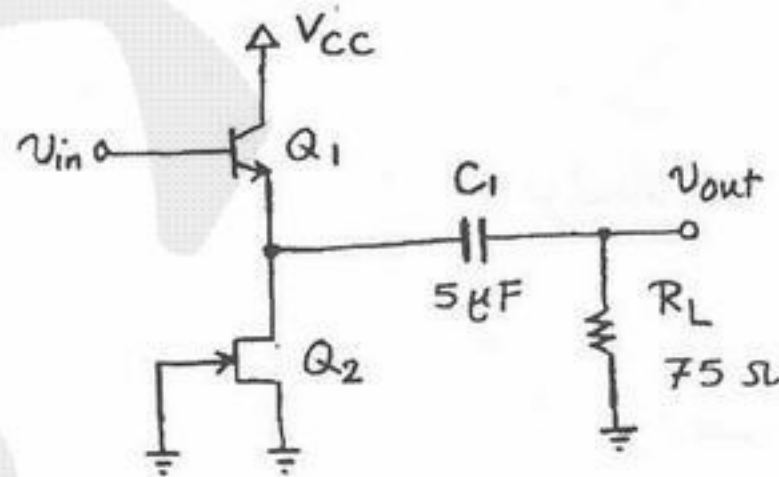
تفاضلی $A_d = \frac{v_{out}}{v_{in}}$ آن تقریباً برابر است با: $\beta = 100, V_T = 25 mV, V_A = \infty$



- (۱) $A_d = 4 \frac{V}{V}$
- (۲) $A_d = 3/2 \frac{V}{V}$
- (۳) $A_d = 1/6 \frac{V}{V}$
- (۴) $A_d = 0/8 \frac{V}{V}$

۱۸۰- در مدار شکل زیر ترانزیستورهای Q_1 و Q_2 در ناحیه فعال بایاس شده‌اند. مقدار فرکانس قطع $-3 dB$ پایین بهره ولتاژ $A_v = \frac{v_{out}}{v_{in}}$ آن

برابر است با: $I_{DSS} = 1 mA, V_P = -2 V, V_T = 25 mV, V_A = \infty, \beta = 100$



- (۱) $\omega_L = 10000 \frac{rad}{s}$
- (۲) $\omega_L = 20000 \frac{rad}{s}$
- (۳) $\omega_L = 40000 \frac{rad}{s}$
- (۴) $\omega_L = 80000 \frac{rad}{s}$

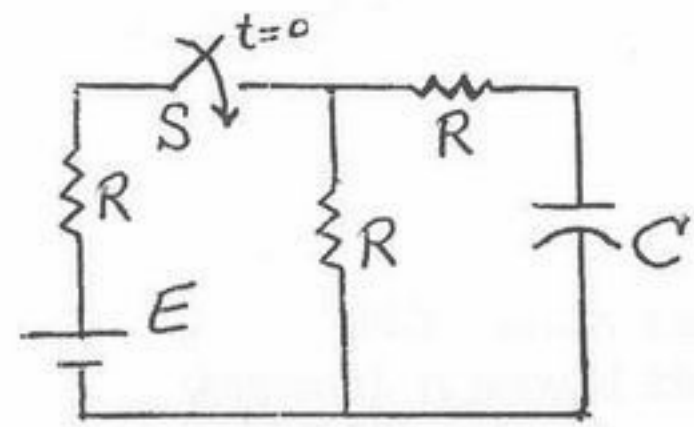
- ۱۸۱- دو بار نقطه‌ای Q_1 و Q_2 با علامت‌های مخالف روی محور x در نقاط $x=0$ و $x=3$ قرار گرفته‌اند. اگر پتانسیل ناشی از این دو بار در نقطه $x=2$ صفر باشد، پتانسیل در کدام نقطه دیگر از محور x صفر است؟
- (۱) $x=-1$ (۲) $x=-2$ (۳) $x=-3$ (۴) $x=6$

- ۱۸۲- روی صفحه xoy بارهای الکتریکی با چگالی یکنواخت $1 \frac{\mu C}{m^2}$ گسترده شده است. یک قطره روغن به جرم 200 mgr در فاصله 1 cm بالای صفحه معلق می‌ماند. بار روی قطره روغن تقریباً چند میکروکولمب است؟ $g = 9/8 \frac{m}{s^2}$ و $\epsilon_0 = \frac{1}{36\pi} \times 10^{-9} \left(\frac{F}{m}\right)$.
- (۱) 0.017 (۲) 0.035 (۳) 0.170 (۴) 35

- ۱۸۳- بار کل Q در حجم کره‌ای به شعاع a به طور یکنواخت توزیع شده است. اندازه میدان الکتریکی E در فاصله $\frac{a}{4}$ از مرکز کره برابر است با:
- (۱) $\frac{Q}{4\pi\epsilon_0 a^2}$ (۲) $\frac{Q}{8\pi\epsilon_0 a^2}$ (۳) $\frac{Q}{16\pi\epsilon_0 a^2}$ (۴) $\frac{Q}{32\pi\epsilon_0 a^2}$

- ۱۸۴- بار Q در مبدا مختصات قرار گرفته است. شار الکتریکی گذرنده از سطح دایره‌ای به شعاع $R=1 \text{ m}$ که روی صفحه $z=1 \text{ m}$ بوده و مرکز آن در نقطه $(0,0,1)$ است چند کولمب است؟
- (۱) $0.125 Q$ (۲) $0.25 Q$ (۳) $0.15 Q$ (۴) $0.3 Q$

- ۱۸۵- در مدار شکل زیر در لحظه $t=0$ کلید S بسته می‌شود. خازن بدون بار اولیه است. ولتاژ خازن پس از مدت زمان زیاد ($t \rightarrow \infty$) و ثابت زمانی پر شدن آن به ترتیب عبارتند از:



- (۱) $\frac{E}{3}$ و $2RC$
- (۲) E و $\frac{3RC}{2}$
- (۳) $\frac{E}{2}$ و $3RC$
- (۴) $\frac{E}{2}$ و $\frac{3RC}{2}$

- ۱۸۶- یک بار نقطه‌ای Q در مرکز کره عایقی با ثابت دی الکتریک $K=3$ قرار گرفته است. اندازه بردار قطبی شدگی P در داخل کره عایق و به فاصله r از مرکز کره برابر است با:
- (۱) $\frac{Q}{6\pi r^2}$ (۲) $\frac{Q}{4\pi r^2}$ (۳) $\frac{Q}{2\pi r^2}$ (۴) $\frac{3Q}{2\pi r^2}$

- ۱۸۷- بین صفحات یک خازن استوانه‌ای به شعاع‌های a و b ($a < b$) ماده‌ای تلف‌دار با رسانایی ویژه σ قرار گرفته است. مقاومت معادل بین دو صفحه استوانه شکل برای واحد طول خازن برابر است با:
- (۱) $\frac{\epsilon_0}{2\pi\sigma} \ln \frac{b}{a}$ (۲) $\frac{2\pi\sigma}{\ln \frac{b}{a}}$ (۳) $\frac{1}{2\pi\sigma} \ln \frac{b}{a}$ (۴) $\frac{2\pi\sigma}{\epsilon_0 \ln \frac{b}{a}}$

- ۱۸۸- روی صفحه xoy که یک سطح رسانا می‌باشد، جریان سطحی یکنواختی در راستای \hat{x} به صورت $\vec{K} = K_0 \hat{x}$ برقرار است. میدان مغناطیسی \vec{H} در بالای صفحه ($z > 0$) برابر است با:
- (۱) $K_0 \hat{y}$ (۲) $-K_0 \hat{y}$ (۳) $\frac{1}{2} K_0 \hat{y}$ (۴) $-\frac{1}{2} K_0 \hat{y}$

- ۱۸۹- کره‌ای به شعاع a دارای بردار مغناطیس شدگی یکنواخت $\vec{M} = M_0 \hat{z}$ در امتداد محور z است. میدان مغناطیسی حاصل از این استوانه معادل میدان کدام توزیع جریان الکتریکی می‌باشد؟
- (۱) حجمی در جهت $\hat{\phi}$ داخل کره
- (۲) سطحی در جهت $\hat{\theta}$ روی بدنه کره
- (۳) سطحی روی بدنه کره و حجمی داخل کره
- (۴) سطحی گردشی در جهت $\hat{\phi}$ روی بدنه کره

۱۹۰- دو سیم بسیار بلند موازی به فاصله d از یکدیگر، در یک صفحه واقعاند و از آنها به ترتیب جریان‌های هم جهت I_1 و I_2 می‌گذرد. نسبت

جریان $\frac{I_1}{I_2}$ چقدر باشد تا میدان مغناطیسی در فاصله $\frac{d}{3}$ از I_1 و $\frac{2d}{3}$ از I_2 در صفحه دو سیم صفر شود؟

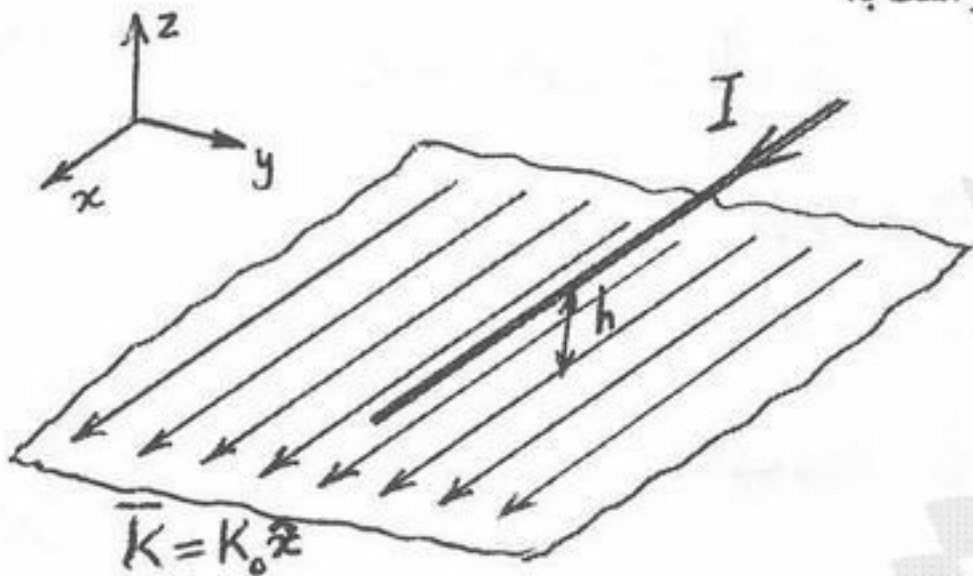
- (۱) $\frac{1}{2}$ (۲) $\frac{1}{3}$ (۳) $\frac{1}{4}$ (۴) ۲

۱۹۱- از یک حلقه دایره‌ای به قطر a جریان ثابت I می‌گذرد. طول ضلع یک حلقه مربع شکل بر حسب a چقدر باید باشد تا با همان جریان I ، لنگر

دو قطبی مغناطیسی (Dipole Moment) هر دو حلقه برابر باشد؟

- (۱) $a\sqrt{\pi}$ (۲) $\frac{a\sqrt{\pi}}{2}$ (۳) $\frac{a\sqrt{2}}{\pi}$ (۴) $\frac{2a}{\sqrt{\pi}}$

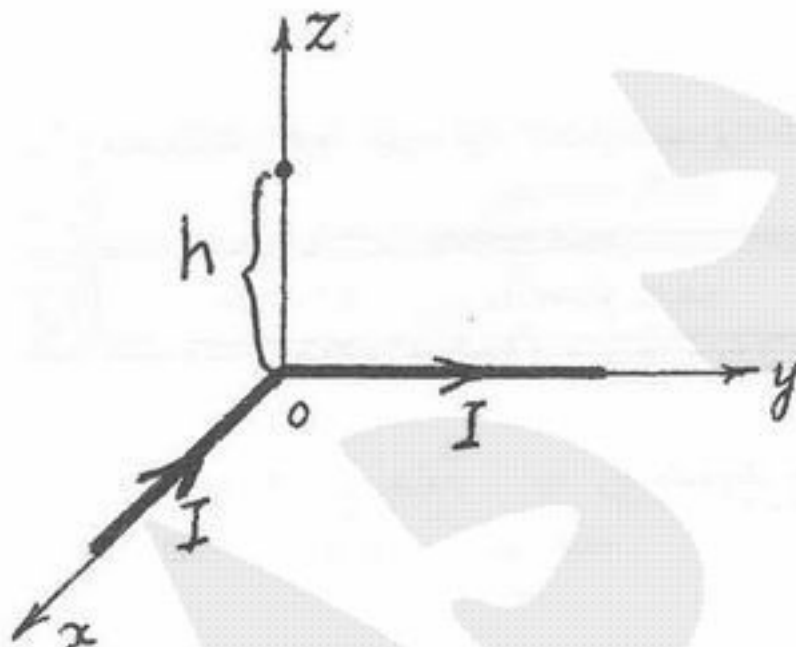
۱۹۲- جریان سطحی با چگالی $\vec{K} = K_0 \hat{x} \left(\frac{A}{m}\right)$ در صفحه xoy جاری است. یک سیم رسانای مستقیم حاصل جریان I موازی با محور x و بالای صفحه به فاصله h از صفحه قرار دارد. نیروی وارد بر واحد طول سیم برابر است با:



- (۱) $\mu_0 K_0 I$
 (۲) $\frac{\mu_0 K_0 I}{2h}$
 (۳) $\frac{\mu_0 K_0 I}{2}$
 (۴) $\frac{\mu_0 K_0 I}{h}$

۱۹۳- جریان ثابت I روی محور x به طرف O نزدیک شده و سپس روی محور y به سمت $+y$ ادامه می‌یابد. اندازه میدان مغناطیسی H روی محور

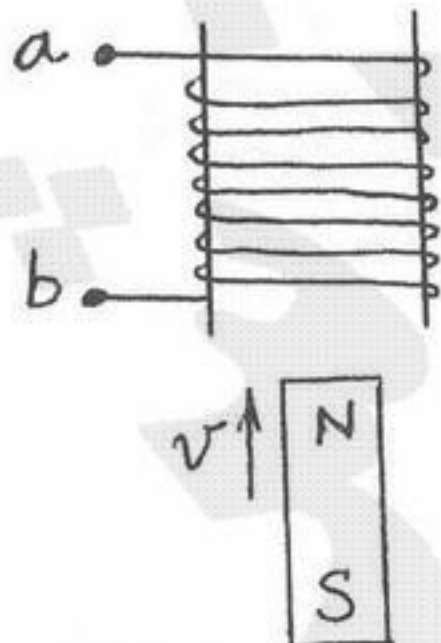
z به فاصله h از مبدا برابر است با:



- (۱) $\frac{I}{2\pi h}$
 (۲) $\frac{\sqrt{2}I}{4\pi h}$
 (۳) $\frac{\sqrt{2}I}{\pi h}$
 (۴) $\frac{\sqrt{2}I}{2\pi h}$

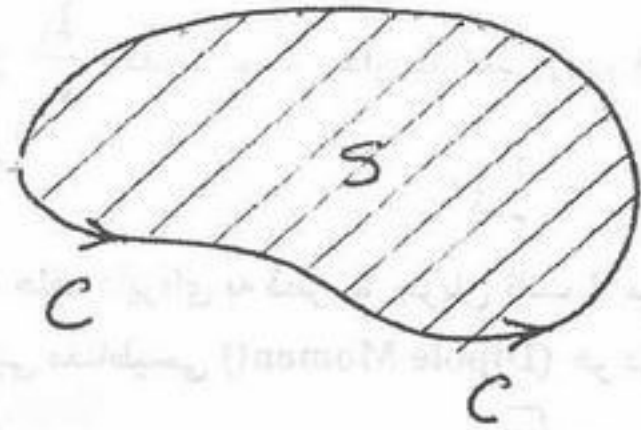
۱۹۴- در شکل نشان داده شده آهنربا را با سرعت ثابتی به سیم پیچ نزدیک می‌کنیم و ولتاژ القا شده در دو سر a و b را در نظر می‌گیریم. در این

صورت پلاریته (قطب‌های) سرهای a و b کدام است؟



- (۱) a مثبت و b منفی
 (۲) a منفی و b مثبت
 (۳) سرعت ثابت است و ولتاژی القا نمی‌شود.
 (۴) مدار مقاومت ندارد و ولتاژی القا نمی‌شود.

۱۹۵- اگر مسیر C دوره سطح S باشد و \bar{A} بردار پتانسیل مغناطیسی، V_m پتانسیل عددی و \bar{B} چگالی شار مغناطیسی فرض شود، کدام عبارت بیانگر شار مغناطیسی گذرنده از سطح S خواهد بود؟



(۱) $\oint_C \bar{A} \cdot d\bar{l}$

(۲) $\oint_C V_m d\bar{l}$

(۳) $\oint_C \bar{B} \cdot d\bar{l}$

(۴) $\oint_C (\nabla \times \bar{B}) \cdot d\bar{s}$