

616F

616

F

نام
نام خانوادگی
محل امضاء

عصر جمعه
۹۰/۱۱/۲۸



جمهوری اسلامی ایران
وزارت علوم، تحقیقات و فناوری
سازمان سنجش آموزش کشور

اگر دانشگاه اصلاح شود مملکت اصلاح می‌شود.
امام خمینی (ره)

آزمون ورودی دوره‌های کارشناسی ارشد ناپیوسته داخل - سال ۱۳۹۱

مجموعه مهندسی کشاورزی آب - کد ۱۳۰۲

مدت پاسخگویی: ۱۵۰ دقیقه

تعداد سؤال: ۳۱۰

عنوان مواد امتحانی، تعداد و شماره سؤالات

| ردیف | مواد امتحانی | تعداد سؤال | از شماره | تا شماره |
|------|---------------------------------|------------|----------|----------|
| ۱ | زبان عمومی و تخصصی | ۳۰ | ۱ | ۳۰ |
| ۲ | ریاضیات | ۳۰ | ۳۱ | ۶۰ |
| ۳ | هیدرولیک و هیدرولیک انهار | ۲۵ | ۶۱ | ۸۵ |
| ۴ | رابطه آب و خاک و گیاه | ۲۵ | ۸۶ | ۱۱۰ |
| ۵ | هیدرولوژی | ۲۵ | ۱۱۱ | ۱۳۵ |
| ۶ | هیدرولوژی آبهای سطحی و زیرزمینی | ۲۵ | ۱۳۶ | ۱۶۰ |
| ۷ | سیستم‌های آبیاری | ۲۵ | ۱۶۱ | ۱۸۵ |
| ۸ | مهندسی زهکشی | ۲۵ | ۱۸۶ | ۲۱۰ |
| ۹ | مکانیک خاک | ۲۵ | ۲۱۱ | ۲۳۵ |
| ۱۰ | ساختمان‌های انتقال و توزیع آب | ۲۵ | ۲۳۶ | ۲۶۰ |
| ۱۱ | آمار و احتمالات | ۲۵ | ۲۶۱ | ۲۸۵ |
| ۱۲ | مدیریت منابع آب | ۲۵ | ۲۸۶ | ۳۱۰ |

بهمن ماه سال ۱۳۹۰

استفاده از ماشین حساب مجاز نمی‌باشد.

PART A: Vocabulary

Directions: Choose the word or phrase (1), (2), (3), or (4) that best completes each sentence. Then mark the correct choice on your answer sheet.

- 1- He accused the environmentalists of trying to public opinion in their favor.
1) summon 2) convoke 3) manipulate 4) rotate
- 2- He asserted that there's not a of truth in the story.
1) vestige 2) relic 3) forte 4) scar
- 3- The chairperson proudly announced that the keynote speaker at the conference would be the primatologist Jane Goodall.
1) eclectic 2) eminent 3) empirical 4) expedient
- 4- According to the experts, genetic is probably the most important factor in determining a person's health.
1) fragmentation 2) germination 3) reliance 4) inheritance
- 5- Plant cell and tissue culture the growth and maintenance of plant tissues in a nutrient medium.
1) approximates to 2) meddles in 3) involves 4) spreads
- 6- If the population continues to expand, Ehrlich argues, mass starvation and ecological disaster will be the consequence.
1) introverted 2) inevitable 3) indiscriminate 4) insatiable
- 7- He's being kept in jail until the trial so that he can't any of the witnesses.
1) intimidate 2) vanish 3) discard 4) represent
- 8- The operation of the free market maintains an between supply, demand and price.
1) assent 2) inspection 3) affinity 4) equilibrium
- 9- Before you take calculus, you need more than a knowledge of algebra.
1) circumspect 2) mutual 3) rudimentary 4) transient
- 10- In 1784 Benjamin Franklin first suggested daylight savings time as a means of cutting down consuming candles.
1) of 2) on 3) for 4) in

PART B: Cloze Test

Directions: Read the following passage and decide which choice (1), (2), (3), or (4) best fits each space. Then mark the correct choice on your answer sheet.

Deficiency diseases are usually associated with lack of vitamins or minerals. The effects of a vitamin or mineral deficiency on the body depend on the function of the particular nutrient (11) ----- . For example, vitamin A is important for good vision, and severe deficiency of this vitamin may cause blindness. (12) ----- some vitamins and minerals have many functions, (13) ----- nutritional deficiencies can therefore have wide-ranging effects on health.

Diets that lack a wide variety of foods may result in vitamin deficiency diseases. For example, in countries (14) ----- eat maize as the staple food and only few other foods, diets may lack niacin, a B vitamin. Such diets may cause pellagra, a deficiency disease (15) ----- by dermatitis, diarrhea, and dementia.

- 11- 1) lacking 2) to lack 3) is lacking 4) lacked
- 12- 1) Hence 2) However 3) Because 4) Then
- 13- 1) which prolonged 2) they prolong 3) to be prolonging 4) prolonged
- 14- 1) where people 2) in those people 3) that their people 4) there people
- 15- 1) characterizing 2) characterized 3) is characterized 4) they characterize

PART C: Reading Comprehension

Directions: Read the following three passages and answer the questions by choosing the best choice (1), (2), (3), or (4). Then mark the correct choice on your answer sheet.

Passage 1:

Groundwater recharge or deep drainage or deep percolation is a hydrologic process where water moves downward from surface water to groundwater. This process usually occurs in the vadose zone below plant roots and is often expressed as a flux to the water table surface. Recharge occurs both naturally (through the water cycle) and anthropologically (i.e., "artificial groundwater recharge"), where rainwater and or reclaimed water is routed to the subsurface. Groundwater is recharged naturally by rain and snow melt and to smaller extent by surface water (rivers and lakes). Recharge may be impeded somewhat by human activities including paving, development, or logging. These activities can result in enhanced surface runoff and reduction in recharge. Use of groundwaters, especially for irrigation, may also lower the water tables. Groundwater recharge is an important process for sustainable groundwater management, since the volume-rate abstracted from an aquifer in the long term should be less than or equal to the volume-rate that is recharged. Artificial groundwater recharge is becoming increasingly important in India, where over-pumping of groundwater by farmers has led to underground resources becoming depleted. In 2007, on the recommendations of the International Water Management institute (IWMI), the Indian government allocated Rs 1800 crore (US\$400million) to fund dug-well recharge projects (a dug-well is a wide, shallow well, often lined with concrete) in 100 districts within seven states where water stored in hard-rock aquifers had been over-exploited. Recharge can help move excess salts that accumulate in the root zone to deeper soil layers, or into the groundwater system. Another environmental issue is the disposal of waste through the water flux such as dairy farms, industrial, and urban runoff.

- 16- **It is stated in the passage that**
- 1) the water cycle is, in fact, an anthropological ground water process
 - 2) hydrologic processes usually occur in the vadose zone below plant roots
 - 3) deep percolation is often expressed as a flux to the water table surface
 - 4) in reverse hydrologic processes water moves upward from groundwater
- 17- **The passage mentions that**
- 1) paving reduces surface runoff
 - 2) subsurface waters cannot be easily reclaimed
 - 3) logging can slow down deep drainage
 - 4) snow melt produces more groundwater than ice
- 18- **We may understand from the passage that**
- 1) salt at the root zone can damage plants
 - 2) India has an efficient water management
 - 3) long-term irrigation is harmful to water resources
 - 4) aquifers play a main role in water abstraction
- 19- **According to the passage**
- 1) IWMI gave a US\$400million aid to India in 2007
 - 2) dug-well should be at least 100 meters deep
 - 3) there are nearly 100 main water districts in India
 - 4) ground water system may be harmed by dairy farms

- 20- The word 'vadose' in the passage (underlined) is best related to the word
- 1) 'rock' 2) 'soil' 3) 'plant' 4) 'water'

Passage 2:

An hydrological transport model is a mathematical model used to simulate river or stream flow and calculate water quality parameters. These models generally came into use in the 1960s and 1970s when demand for numerical forecasting of water quality was driven by environmental legislation, and at a similar time widespread access to significant computer power became available. Much of the original model development took place in the US and UK, but today these models are refined and used worldwide. There are dozens of different transport models that can be generally grouped by pollutants addressed, complexity of pollutant sources, whether the model is steady state or dynamic, and time period modeled. Another important designation is whether the model is distributed (i.e. capable of predicting multiple points within a river) or lumped. In a basic model, for example, only one pollutant might be addressed from a simple point discharge into the receiving waters. In the most complex of models, various line source inputs from surface runoff might be added to multiple point sources, treating a variety of chemicals plus sediment in a dynamic environment including vertical river stratification and interactions of pollutants with in-stream biota. In addition watershed groundwater may also be included. The model is termed "physically based" if its parameters can be measured in the field. Often models have separate modules to address individual steps in the simulation process. The most common module is a subroutine for calculation of surface runoff, allowing variation in land use type, topography, soil type, vegetative cover, precipitation and land management practice (such as the application rate of a fertilizer). The concept of hydrological modeling can be extended to other environments such as the oceans, but most commonly the subject of a river watershed is generally implied.

- 21- It is mentioned in the passage that
- 1) water quality has improved environmental legislations
2) hydrological transport models weren't used before 1960s
3) stream flows are best as hydrological transport models
4) water quality parameters cannot be really simulated
- 22- The passage states that
- 1) complexity of pollutant sources can be a basis for transport models
2) computers are necessary in nearly all models of hydrological transport
3) hydrological transport models worldwide are based on US models
4) the first hydrological transport model was developed in the UK
- 23- The passage points to the fact that
- 1) precipitation is an important land management tool
2) surface runoff allows variation in land use type
3) fertilizers are the worst pollutants of in-land water
4) hydrological modeling is not limited to rivers
- 24- A complex hydrological transport model
- 1) maximizes the stratification of the in-stream biota
2) combines multiple point sources and surface runoffs
3) may also take account of watershed groundwater
4) sets a treatment of water sediments as its main objective
- 25- The word 'address' in the passage (underlined) is closest to
- 1) 'evaluate' 2) 'deal with' 3) 'locate' 4) 'capture'

Passage 3:

The water table is the level at which the submarine pressure is far from atmospheric pressure. It may be conveniently visualized as the 'surface' of the subsurface materials that are saturated with groundwater in a given vicinity. However, saturated conditions may extend above the water table as surface tension holds water in some pores below atmospheric pressure. Individual points on the water table are typically measured as the elevation that the water rises to in a well screened in the shallow groundwater. The groundwater may be from infiltrating precipitation or from groundwater flowing into the aquifer. In areas with sufficient precipitation, water infiltrates through pore spaces in the soil, passing through the unsaturated zone. At increasing depths water fills in more of the pore space in the soils, until the zone of saturation is reached. In permeable or porous materials, such as sands and well fractured bedrock, the water table forms a relatively horizontal plane. Below the water table, in the phreatic zone, permeable units that yield groundwater are called aquifers. The ability of the aquifer to store groundwater is dependent on the primary and secondary porosity and permeability of the rock or soil. In soils that are less permeable, such as tight bedrock formations and historic lakebed deposits, the water table may be more difficult to define. The water table should not be confused with the water level in a deeper well. If a deeper aquifer has a lower permeable unit that confines the upward flow, then the water level in a well screened in this aquifer may rise to a level that is greater or less than the elevation of the actual water table.

- 26- **It is mentioned in the passage that**
- 1) atmospheric pressure is maintained through a water table
 - 2) groundwater can get extremely saturated at low depths
 - 3) most water tables suffer from unusually high surface tension
 - 4) water may be held below atmospheric pressure at a water table
- 27- **The passage states that**
- 1) well fractured bedrock is quite permeable
 - 2) saturated groundwater can flow into an aquifer
 - 3) water rises more quickly at higher elevations
 - 4) it is relatively easy to screen shallow groundwater
- 28- **The passage points to the fact that**
- 1) pore spaces in the soil increase as depth increases
 - 2) aquifers are located in the phreatic zone
 - 3) precipitation infiltrates the soil at a high rate
 - 4) horizontal planes usually form above a water table
- 29- **We may understand from the passage that**
- 1) elevation of the actual water table affects the way it is screened
 - 2) upward flow of water can be blocked by low-porosity soil
 - 3) water level in a deeper well is often mistaken for a water table
 - 4) it is difficult to define water on a historic lakebed deposit
- 30- **The word 'vicinity' in the passage (underlined) is closest to**
- 1) 'area'
 - 2) 'depth'
 - 3) 'sample'
 - 4) 'pressure'

PardazeshPub.com

- ۳۱- کدام تساوی در مورد جزء صحیح اعداد نادرست است؟
 (۱) $[(2/0.5)^4] = 17$
 (۲) $[(-0.95)^9] = -1$
 (۳) $[\sqrt{10} - \pi] = 0$
 (۴) $[[x]] = |[x]|$
- ۳۲- نمودار تابع $f(x) = x^2 - 2x$ با یک انتقال به نمودار تابع $g(x) = x^2 + 4x$ منطبق می‌شود در این انتقال نطقه ای به طول ۳ واقع بر نمودار تابع f به نقطه‌ای با کدام مختصات قرار می‌گیرد؟
 (۱) $(0, 0)$
 (۲) $(-3, 3)$
 (۳) $(1, 5)$
 (۴) $(-1, 5)$
- ۳۳- حاصل عبارت $\text{Arctg}\sqrt{x^2 - x} + \text{Arcsin}(2x^2 - 2x + 1)$ کدام است؟
 (۱) صفر
 (۲) $\frac{\pi}{4}$
 (۳) $\frac{\pi}{2}$
 (۴) π
- ۳۴- حد عبارت $(\frac{n+2}{n-1})^{2n+1}$ وقتی $n \rightarrow \infty$ کدام است؟
 (۱) e^3
 (۲) e^4
 (۳) e^5
 (۴) e^6
- ۳۵- نمودار کدام تابع نسبت به مبدأ مختصات متقارن است؟
 (۱) $f(x) = \ln(x + \sqrt{x^2 + 1})$
 (۲) $f(x) = \ln(x + \sqrt{x^2 - 1})$
 (۳) $f(x) = 3^x + (\frac{1}{3})^x$
 (۴) $f(x) = 2x + |x|$
- ۳۶- حد چپ تابع $f(x) = \frac{(3 - [x])\sqrt{x^2 - 4x + 4}}{x^2 - 4}$ در نقطه $x = 2$ کدام است؟
 (۱) $-\frac{1}{4}$
 (۲) $-\frac{1}{2}$
 (۳) $\frac{1}{4}$
 (۴) $\frac{1}{2}$
- ۳۷- مشتق مرتبه چهارم تابع $y = \frac{(x-2)^2(x^2-x-2)}{\sqrt{3x+2}}$ به ازای $x = 2$ کدام است؟
 (۱) ۱۸
 (۲) ۲۴
 (۳) ۳۲
 (۴) ۳۶
- ۳۸- دو منحنی به معادلات $y = \frac{1}{4}x^2 - \ln x$ و $y = ae^{x^2-1} + b$ در نقطه $x = 1$ عمود برهم هستند، b کدام است؟
 (۱) $-\frac{3}{4}$
 (۲) $-\frac{1}{2}$
 (۳) $\frac{1}{2}$
 (۴) $\frac{3}{4}$
- ۳۹- در بسط عبارت $(x\sqrt{x} + \frac{3}{x^2})^8$ ضریب جمله شامل x^5 کدام است؟
 (۱) ۲۱۶
 (۲) ۲۳۴
 (۳) ۲۴۳
 (۴) ۲۵۲
- ۴۰- اگر $g(x) = \frac{x}{\sqrt{1+x^2}}$ ، $f(x) = \frac{x}{\sqrt{1-x^2}}$ آنگاه $f'(x) \cdot g'(f(x))$ کدام است؟
 (۱) $\frac{\sqrt{1-x^2}}{x}$
 (۲) $\frac{\sqrt{1+x^2}}{1}$
 (۳) $\frac{\sqrt{1-x^2}}{x}$
 (۴) $\frac{\sqrt{1+x^2}}{1}$

PardazeshPub.com

- ۴۱- دوره تناوب اصلی تابع با ضابطه $f(x) = |\sin x| \cdot |\cos x|$ کدام است؟
- (۱) $\frac{\pi}{4}$
 (۲) $\frac{\pi}{2}$
 (۳) $\frac{3\pi}{4}$
 (۴) π
- ۴۲- جهت انحناء نمودار تابع $y = xe^{-x^2}$ در چند نقطه تغییر می کند؟
- (۱) ۱
 (۲) ۲
 (۳) ۳
 (۴) تغییر نمی کند.
- ۴۳- مساحت ناحیه محدود به مجانب های منحنی به معادله $y = \frac{x}{\sqrt{x^2 - 1}}$ کدام است؟
- (۱) $2\sqrt{2}$
 (۲) $\sqrt{5}$
 (۳) ۲
 (۴) ۴
- ۴۴- اگر تابع با ضابطه $f(x) = \frac{ax + b}{x^2 - 5x + 4}$ در نقطه $(2, -1)$ ماکزیمم نسبی باشد، دو تایی (a, b) کدام است؟
- (۱) $(-1, 4)$
 (۲) $(2, -2)$
 (۳) $(1, 0)$
 (۴) $(0, 2)$
- ۴۵- عرض از مبدأ خط مماس بر منحنی به معادله $e^{y-2x} + xy^2 = 5x^2$ گذرنده بر نقطه $(1, 2)$ کدام است؟
- (۱) $\frac{2}{5}$
 (۲) $\frac{3}{5}$
 (۳) $\frac{4}{5}$
 (۴) $\frac{6}{5}$
- ۴۶- مقدار تقریبی عدد $\text{Arctg} \sqrt{1/02} - \frac{\pi}{4}$ با کمک دیفرانسیل کدام است؟
- (۱) ۰/۰۰۲
 (۲) ۰/۰۰۳
 (۳) ۰/۰۰۴
 (۴) ۰/۰۰۵
- ۴۷- در تابع پارامتری $(x = (t+2)e^t, y = te^{2t})$ مقدار $\frac{d^2y}{dx^2}$ به ازای $t = 1$ کدام است؟
- (۱) $\frac{15}{64}$
 (۲) $\frac{17}{32}$
 (۳) $\frac{17}{64}$
 (۴) $\frac{15}{32}$
- ۴۸- حاصل $\lim_{x \rightarrow 0} \frac{2^x - 4^x}{\ln(1+x)}$ کدام است؟
- (۱) -۲
 (۲) $-\ln 2$
 (۳) $\frac{1}{2}$
 (۴) $\ln 2$
- ۴۹- مجموع $\sum_{n=1}^{99} \log \frac{n}{n+1}$ کدام است؟
- (۱) -۲
 (۲) $-\frac{1}{2}$
 (۳) $\frac{1}{2}$
 (۴) ۱

۵۰- اگر $r > 0$ باشد حاصل $\int_0^1 (x^r + x^{r-1}) dx$ برابر کدام است؟

- (۱) $\frac{r+1}{r}$
 (۲) $\frac{r}{r+1}$
 (۳) ۱
 (۴) $\frac{r-1}{r}$

۵۱- مجموع مساحت دو ناحیه محدود به منحنی $y = xe^{x^2-1}$ و محور x ها و دو خط به معادلات $x = -1$ و $x = 1$ کدام است؟

- (۱) $\frac{e-2}{e}$
 (۲) $\frac{e-1}{e}$
 (۳) $\frac{2e-1}{e}$
 (۴) $\frac{e+1}{2e}$

۵۲- به ازای کدام مقدار a دستگاه معادلات زیر جوابهای غیر صفر دارد؟

$$\begin{cases} 2x - y + 2z = 0 \\ 2x - 4y + az = 0 \\ x + 2y - z = 0 \end{cases}$$

(۱) ۴
 (۲) ۵
 (۳) ۶
 (۴) ۷

۵۳- مشتق سویی تابع $z = x^2y - x\sqrt{y} + \frac{y}{x}$ در نقطه $(1, 4)$ در امتداد بردار $3i - 4j$ کدام است؟

- (۱) $-0/2$
 (۲) $-0/3$
 (۳) $0/2$
 (۴) $0/3$

۵۴- دامنه تابع $z = \frac{1}{\sqrt{x^2 + y^2 - 2x - 3}}$ کدام مجموعه نقاط نسبت به یک منحنی بسته است؟

- (۱) خارج ورودی دایره
 (۲) خارج دایره
 (۳) داخل دایره
 (۴) داخل بیضی

۵۵- صفحه مماس بر رویه $z = xy^2$ در نقطه $(2, -1, 2)$ محور z ها را با کدام ارتفاع قطع می کند؟

- (۱) -۱
 (۲) -۴
 (۳) ۱
 (۴) ۴

۵۶- در تابع دو متغیری $z = \ln \frac{x^2 + y^2}{x + y}$ حاصل $x \frac{\partial z}{\partial x} + y \frac{\partial z}{\partial y}$ برابر کدام است؟

- (۱) $-z$
 (۲) صفر
 (۳) z
 (۴) ۱

۵۷- دیفرانسیل کامل تابع $z = \sqrt{x^2 + 4y^2}$ به ازای $x = 3, y = -2, \Delta x = 0/02, \Delta y = 0/01$ کدام است؟

- (۱) $0/008$
 (۲) $0/006$
 (۳) $-0/004$
 (۴) $-0/002$

۵۸- اگر z تابع دو متغیر مستقل x و y باشد $e^{z-2x} + xz^2 - xy^2 + 4 = 0$ مقدار $\frac{\partial z}{\partial x}$ در نقطه $(1, 3, 2)$ کدام است؟

- (۱) $1/4$
 (۲) $1/2$
 (۳) $0/8$
 (۴) $0/6$

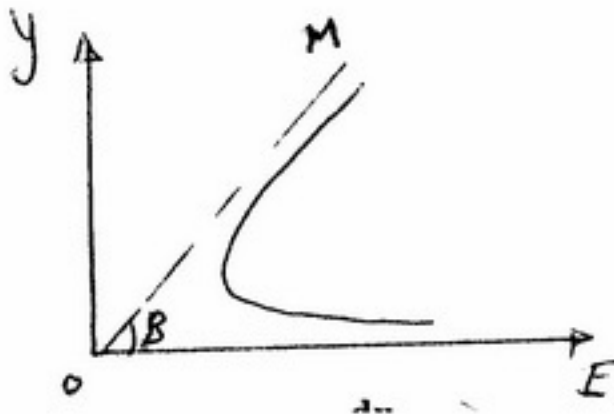
۵۹- حاصل $\int_1^2 dx \int_{y_1}^{y_2} y dy$ که در آن $y_1 = 2 - x, y_2 = \sqrt{2x - x^2}$ باشد کدام است؟

- (۱) $\frac{1}{6}$
 (۲) $\frac{1}{4}$
 (۳) $\frac{1}{3}$
 (۴) $\frac{2}{3}$

- 60- جواب کلی معادله دیفرانسیل $y'' - 4y = 4e^{2x}$ کدام است؟
 (1) $y = Ae^{-2x} + Bxe^{2x}$
 (2) $y = Ae^{-2x} + (B-x)e^{2x}$
 (3) $y = Ae^{-2x} + (B+x)e^{2x}$
 (4) $y = x(Ae^{2x} + Be^{-2x})$

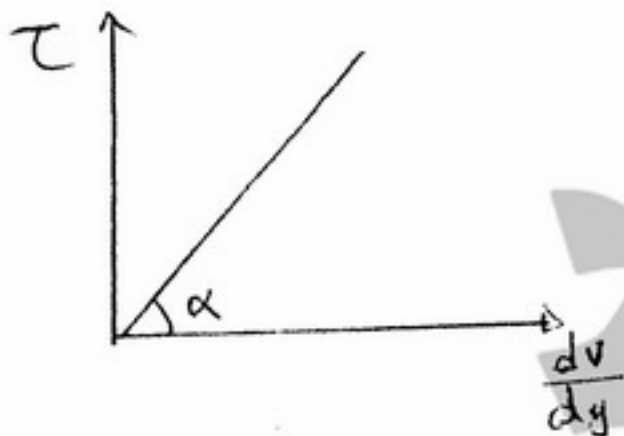
هیدرولیک و هیدرولیک انهار

- 61- شکل زیر منحنی انرژی مخصوص کانالی مستطیلی با زاویه کف 45° را نشان می دهد. $\tan \beta$ چقدر است؟ OM جانب منحنی انرژی مخصوص است.



- (1) $\frac{1}{2}$
 (2) 1
 (3) $\frac{3}{2}$
 (4) 2

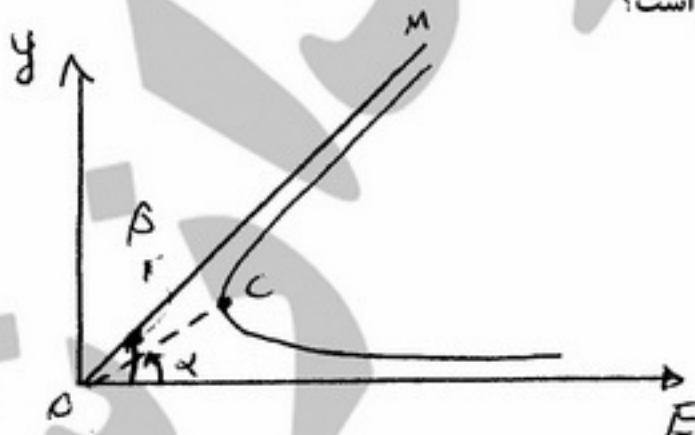
- 62- در شکل زیر اگر سیال نیوتنی باشد $\tan \alpha$ چقدر است؟ τ تنش برشی و $\frac{du}{dy}$ گرادیان سرعت است. μ لزجت دینامیکی



سیال است.

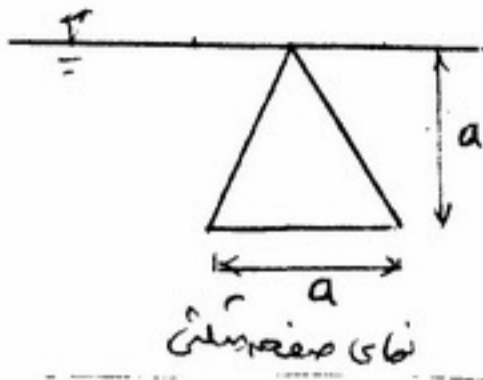
- (1) $\frac{1}{\mu}$
 (2) μ
 (3) 1
 (4) $\frac{3}{2}$

- 63- در شکل نشان داده شده که منحنی انرژی مخصوص در یک کانال مستطیلی با شیب کم را نشان می دهد، اگر α زاویه خط OC و β زاویه خط OM با افق باشد نسبت $\frac{\tan \beta}{\tan \alpha}$ چقدر است؟



- (1) $\frac{2}{3}$
 (2) 1
 (3) $\frac{3}{2}$
 (4) 2

۶۴- یک صفحه مثلثی به ارتفاع a و قاعده a مطابق شکل به صورت قائم زیر سطح سیال قرار گرفته است و رأس آن روی سطح سیال است. گشتاور نیروی وارد بر صفحه نسبت به مرکز سطح آن چقدر است؟

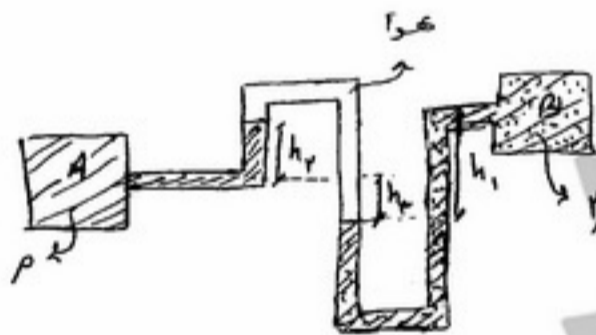


- (۱) $\frac{\gamma a^4}{6}$
- (۲) $\frac{\gamma a^4}{12}$
- (۳) $\frac{\gamma a^4}{18}$
- (۴) $\frac{\gamma a^4}{36}$

۶۵- مخزنی مکعبی روباز به ضلع a که با سیالی با وزن مخصوص γ پر شده است با شتاب قائم $2g$ به سمت بالا حرکت می کند. نیروی وارد بر دیواره های این مخزن چقدر است؟

- (۱) $1/5 \gamma a^3$
- (۲) $2 \gamma a^3$
- (۳) $2/5 \gamma a^3$
- (۴) $3 \gamma a^3$

۶۶- اگر در شکل مقابل $h_1 = h_2 = 2h_3$ باشد. اختلاف فشار در دو نقطه A و B چقدر است؟



- (۱) ρgh
- (۲) $2 \rho gh$
- (۳) $3 \rho gh$
- (۴) $4 \rho gh$

۶۷- در یک کانال مستطیلی عریض اگر ضریب زبری طی سالیان از n_1 به n_2 افزایش یابد. با فرض ثابت بودن دبی در واحد عرض q عمق آب چه مضربی از عمق اولیه n_1 خواهد بود؟

- (۱) $(\frac{n_2}{n_1})^{3/5}$
- (۲) $(\frac{n_1}{n_2})^{5/3}$
- (۳) $(\frac{n_2}{n_1})^{5/3}$
- (۴) $(\frac{n_1}{n_2})^{3/5}$

۶۸- اگر عدد فروود جریان فوق بحرانی قبل از پرش هیدرولیکی ۲ باشد عدد فروود جریان زیر بحرانی بعد از پرش چقدر است؟

- (۱) $\sqrt{\frac{8}{3}}$
- (۲) $\sqrt{\frac{3}{8}}$
- (۳) $\sqrt{\frac{4}{3}}$
- (۴) $\sqrt{\frac{3}{4}}$

۶۹- در یک کانال مستطیلی عریض با $n = 0.01$ و $S = 0.0025$ و دبی در واحد عرض $\frac{m^3}{s.m}$ در مقطعی با عمق $2/5 m$

پروفیل سطح آب از کدام نوع است؟

- (۱) M_1
- (۲) M_2
- (۳) S_1
- (۴) S_2

۷۰- در شرایط بهینه هیدرولیکی در یک کانال مستطیلی اگر $n = 0.01$ ، $b = 6 m$ شیب طولی $\frac{4}{9}$ باشد، دبی چند $\frac{m^3}{s}$ است؟

- (۱) $30/5$
- (۲) $33/52$
- (۳) $53/33$
- (۴) $59/33$

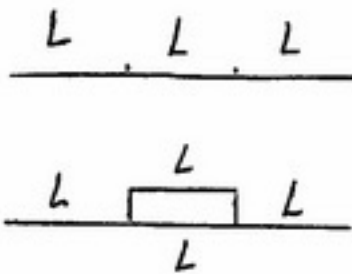
۷۱- در چه مواردی فشار در یک نقطه از سیال در همه جهات یکسان است؟
 (۱) تنها در مواردی که سیال بی اصطکاک باشد.

(۲) تنها در مواردی که سیال ساکن بوده و تراکم ناپذیر باشد.

(۳) تنها در مواردی که سیال ساکن بوده و لزجت آن صفر باشد.

(۴) در مواردی که لایه‌های سیال نسبت به لایه‌های مجاور حرکت نکنند.

۷۲- لوله‌ای به طول $3L$ ، قطر D و ضریب دارسی و یسباخ f مطابق شکل در نظر بگیرید. اگر لوله‌ای از یک جنس و با یک قطر و با طول L به وسط این لوله به صورت موازی اضافه شود نسبت دبی در حالت جدید به دبی قبل آن با فرض ثابت بودن ارتفاع انرژی در دو سر لوله چقدر می‌باشد؟ (افت موضعی ناچیز است).



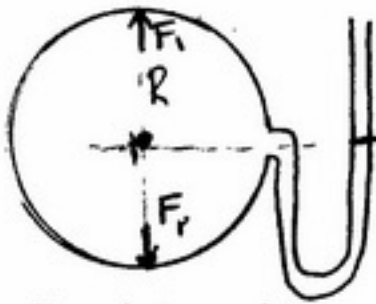
(۱) $\frac{1}{3}$

(۲) $\frac{2\sqrt{3}}{3}$

(۳) ۲

(۴) ۳

۷۳- در یک کره نسبت نیروی وارد بر نیم کره پایینی به نیروی وارد بر نیم کره بالایی در حالتی که شکل نشان می‌دهد، چیست؟



(۱) $\frac{F_2}{F_1} = -1$

(۲) $\frac{F_2}{F_1} = 2$

(۳) $\frac{F_2}{F_1} = 5$

(۴) $\frac{F_2}{F_1} = 3$

۷۴- انرژی مخصوص جریان:

(۱) با تغییر دبی فقط تغییر می‌کند.

(۲) با تغییر دبی و با تغییر عرض کانال تغییر می‌کند.

(۳) در یک کانال با مقطع مرکب

(۱) با تغییر تراز کف کانال فقط تغییر می‌کند.

(۲) با تغییر تراز کف کانال تغییر می‌کند.

(۳) جریان یکنواخت ممکن نیست.

(۴) جریان همیشه غیردائمی و غیریکنواخت است.

(۱) امکان ایجاد جریان یکنواخت می‌باشد.

(۲) جریان همیشه غیردائمی است.

۷۶- نیمکره‌ای مطابق شکل بین دو سیال با وزن مخصوص γ و 2γ قرار گرفته است. نیروی قائم وارد بر نیمکره چقدر است؟



(۱) $\frac{1}{3} \gamma \pi R^3$

(۲) $\frac{1}{2} \gamma \pi R^3$

(۳) $\frac{2}{3} \gamma \pi R^3$

(۴) $\gamma \pi R^3$

۷۷- اگر انرژی مخصوص در قبل از یک برآمدگی برابر ۳ متر باشد و برای این مقطع عمق بحرانی یک متر باشد با احداث برآمدگی با ارتفاع بیشتر از چند متر پدیده انسداد رخ می دهد؟

- (۱) ۰/۵ (۲) ۱ (۳) ۱/۵ (۴) ۲

۷۸- در مسیر یک انحناء تفاوت ارتفاع پیزومتریک و سطح آب با مشخصات زیر برابر است با:

$$4 \text{ m}^2 = \text{سطح مقطع جریان}, 1 \text{ m} = \text{عمق آب}, 10 \text{ m} = \text{شعاع انحناء}, g \cong 10 \frac{\text{m}}{\text{s}^2}, 4 \frac{\text{m}^3}{\text{s}} = \text{دبی جریان}$$

- (۱) ۱ میلی متر (۲) ۱ سانتی متر (۳) ۱۰ سانتی متر (۴) ۱ متر

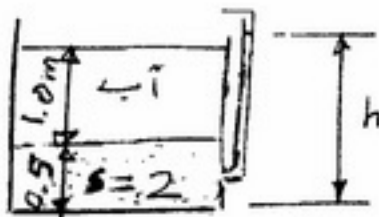
۷۹- اگر دبی جریان در یک مقطع مستطیلی ۲ متر مکعب بر ثانیه، عرض کف ۲ متر و عمق جریان ۱ متر باشد با احداث یک برآمدگی با ارتفاع ۰/۵ متر عمق جریان بر روی برآمدگی چه وضعیتی پیدا می کند؟

- (۱) انسداد رخ می دهد. (۲) کاهش می یابد. (۳) افزایش می یابد. (۴) بدون تغییر می ماند.

۸۰- معادله صعود موئینگی آب h ، مابین دو صفحه شیشه ای به فاصله t ، زاویه تماس θ ، چگالی ρ و کشش سطحی σ چگونه است؟

$$h = \frac{\sigma \cos \theta}{t} \quad (۴) \quad h = \frac{2\sigma \cos \theta}{t} \quad (۳) \quad h = \frac{\sigma \cos \theta}{\rho g t} \quad (۲) \quad h = \frac{2\sigma \cos \theta}{\rho g t} \quad (۱)$$

۸۱- در شکل زیر ارتفاع h چند متر می باشد؟ (S وزن مخصوص نسبی سیال پایینی می باشد).



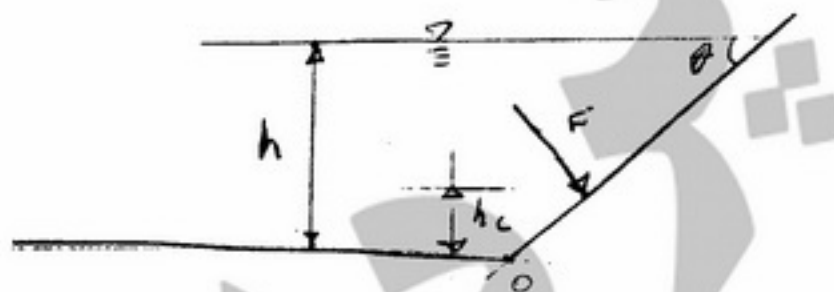
- (۱) ۰/۷۵

- (۲) ۱

- (۳) ۱/۵

- (۴) ۲/۰

۸۲- در شکل زیر دریچه می تواند حول نقطه O دوران نماید. فاصله عمودی نقطه اثر نیرو تا نقطه O (hc) در چه مقدار θ به حداکثر می رسد؟



- (۱) ۴۵ درجه

- (۲) ۶۰ درجه

- (۳) ۹۰ درجه

(۴) مقدار hc همواره ثابت است؟

۸۳- مطابق شکل، در صورتی که $y_1 = 1 \text{ m}$ و $y_2 = 0/2$ متر باشد نیروی بر واحد عرض وارد بر بند چند N می باشد؟ (سرعت خروجی از بند $V_2 = 10 \frac{\text{m}}{\text{s}}$ ، $\rho = 1050 \frac{\text{kg}}{\text{m}^3}$ و $g = 10 \frac{\text{m}}{\text{s}^2}$ می باشد).



- (۱) ۴۷۸۴۰۰

- (۲) ۵۰۰۰۰۰

- (۳) ۵۲۸۶۰۰

- (۴) ۵۴۸۴۰۰

۸۴- معادله سرعت به صورت زیر می باشد. در زمان $t = 2 \text{ sec}$ معادله خط جریان عبوری از نقطه $A(1,0)$ چه می باشد؟

$$V = x\bar{i} + 2t\bar{j}$$

(۱) $y = 2x$ (۲) $y = e^{2x}$ (۳) $y = 2 \ln x$ (۴) $y = x^2$

۸۵- در شیب تند در کانال های روباز:

- (۱) در جریان یکنواخت و غیریکنواخت فوق بحرانی است.
 (۲) در جریان یکنواخت و غیریکنواخت گاهی زیر بحرانی گاهی فوق بحرانی است.
 (۳) در جریان یکنواخت همیشه فوق بحرانی و در جریان غیریکنواخت همیشه زیر بحرانی است.
 (۴) در جریان یکنواخت جریان همیشه فوق بحرانی و در جریان غیریکنواخت گاهی فوق بحرانی و گاهی زیر بحرانی است.

رابطه آب و خاک و گیاه

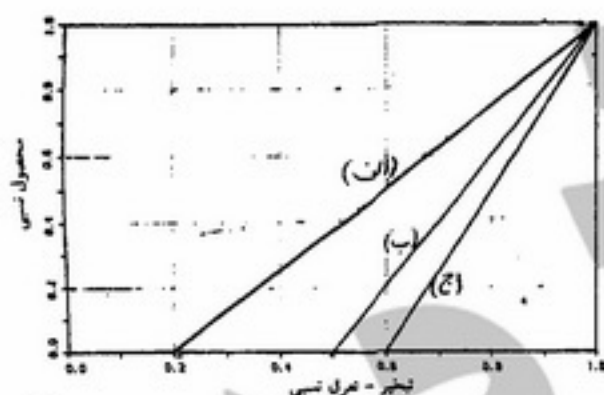
۸۶- با افزایش تراکم خاک، قابلیت نگهداشت آب در خاک

- (۱) افزایش می یابد.
 (۲) کاهش می یابد.
 (۳) تغییر نمی کند.
 (۴) تغییر می کند ولی کم یا زیاد شدن آن بستگی به عوامل دیگر دارد.

۸۷- راندمان فتوسنتز در کدام یک از طول موج های زیر بالاتر است؟

- (۱) تابش طول موج نور نارنجی (۲) تابش طول موج نور قرمز
 (۳) تابش طول موج نور سبز (۴) تابش طول موج نور بنفش

۸۸- در شکل زیر منحنی تغییرات تبخیر و تعرق نسبی (ET/ET_m) در برابر محصول نسبی (y/y_m) برای سه گیاه الف، ب، ج، رسم شده است: اگر این سه گیاه در دوران رشد تحت تنش آبی 30% درصد قرار گیرند، چه رابطه ای بین کاهش محصول (ماده خشک) سه گیاه برقرار است؟ Y و ET به ترتیب تبخیر و تعرق واقعی و مقدار محصول و ET_m و y_m به ترتیب تبخیر و تعرق واقعی و مقدار محصول بدون تنش آبی می باشد.



- (۱) الف > ب > ج
 (۲) ب > الف > ج
 (۳) ج > الف > ب
 (۴) ج > ب > الف

۸۹- سه گیاه با عمق ریشه ۱ متر در سه کرت مجزا با بافت خاک متفاوت کشت شده اند اگر نیاز آبی هر سه گیاه ۹ میلی متر در روز باشد، چه رابطه ای بین فاصله آبیاری سه گیاه برقرار است؟ (از بیشترین تا کمترین)

| گیاه | آب قابل استفاده (AW) | درصد تخلیه مجاز (MAD) |
|------|----------------------|-----------------------|
| الف | ۰/۱۲ | ۰/۴ |
| ب | ۰/۱۴ | ۰/۵ |
| ج | ۰/۱۶ | ۰/۶ |

- (۱) الف < ب < ج
 (۲) الف < ج < ب
 (۳) ب < الف < ج
 (۴) ج < ب < الف

۹۰- در لایسمتری مکعبی با بعد ۱/۱ متر به صورت پر حاوی خاکی به چگالی ظاهری برابر با ۱/۴ گرم بر سانتی متر مکعب است. اگر حجم منافذ موجود در خاک درون لایسمتر ۰/۴۵۲ متر مکعب باشد، برای اشباع کردن خاک چند سانتی متر آب باید روی لایسمتر قرار گیرد. چگالی واقعی (Particle density) خاک بر حسب گرم بر سانتی متر مکعب خاک چقدر است؟

- (۱) ۲/۶, ۴۰ (۲) ۲/۳, ۴۰ (۳) ۲/۳, ۴۴ (۴) ۲/۶, ۴۴

۹۱- محلولی که ملاریته آن ۰/۸ است، دارای هدایت الکتریکی ۲۰ دسی زیمنس بر متر (ds/m) است. اگر بخواهیم محلولی با پتانسیل اسمزی ۱۴/۴ اتمسفر داشته باشیم، ملاریته آن چقدر باید باشد؟

- (۱) ۰/۷ (۲) ۰/۸ (۳) ۱/۴ (۴) ۱/۶

۹۲- در یک مزرعه پس از انجام آزمایش نفوذ آب در خاک، نتایج زیر بدست آمده است: کدام یک از فرمول‌های زیر معادله گرین - امپت (Green - Ampt) را برای شرایط فوق نشان می‌دهد. f و F به ترتیب سرعت نفوذ و نفوذ تجمعی آب به داخل خاک است.

| زمان (ساعت) | سرعت نفوذ (سانتیمتر در ساعت) | نفوذ تجمعی (سانتی‌متر) |
|-------------|------------------------------|------------------------|
| ۰ | ۱/۵ | ۰ |
| ۲ | ۱ | ۱/۵ |
| ۴ | ۰/۸ | ۲/۵ |

$$f = \frac{0.75}{F} + 0.5 \quad (1)$$

$$f = \frac{1}{F} + 0.8 \quad (2)$$

$$f = \frac{1.5}{F} + 0.5 \quad (3)$$

$$f = \frac{2.5}{F} + 1.5 \quad (4)$$

۹۳- مقدار ۱۷۱ گرم ساکارز ($C_{12}H_{22}O_{11}$) را در یک لیتر آب (با دمای ۲۷ درجه سانتی‌گراد) حل می‌کنیم. هدایت الکتریکی (EC) محلول چند دسی زیمنس بر متر $\frac{ds}{m}$ است؟ ($i=1$), ($c=12, H=1, O=16$) ($R = 0.083 \text{ bar.lit.mole}^{-1}.k^{-1}$)

- (۱) ۱/۱ (۲) ۱۲/۵ (۳) ۱۷/۱ (۴) ۳۴/۶

۹۴- رطوبت حجمی خاکی در حالت اشباع ۵۵ درصد است. اگر درجه اشباع خاک در حال حاضر ۶۰ درصد باشد، رطوبت موجود در خاک، نسبت پوکی آن (e) و نسبت چگالی ظاهری به چگالی واقعی خاک به ترتیب عبارتند از:

- (۱) ۳۳ درصد، ۱/۲۲ (۲) ۳۳ درصد، ۳۵ درصد، ۴۵ درصد (۳) ۳۳ درصد، ۱/۳۵، ۵۵ درصد (۴) ۳۳ درصد، ۵۷/۵ درصد، ۱/۲۲، ۴۵ درصد

۹۵- شوری محلول آب در خاکی ۱۶۰۰ ppm است (TDS=۱۶۰۰ ppm) هدایت الکتریکی (EC) این محلول چند دسی زیمنس بر متر (ds/m) و مکش اسمزی آن چند پاسکال است؟

- (۱) ۵۷۶۰۰، ۱/۶ (۲) ۹۰، ۲/۵ (۳) ۹۰۰، ۲/۵ (۴) ۹۰۰۰۰، ۲/۵

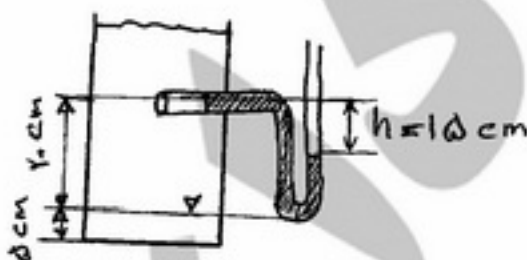
۹۶- کدام یک از روش‌های زیر برای تعیین پتانسیل آب در گیاه به کار می‌روند؟

- (۱) تانسیمتری، بمب فشار (۲) سایکرومتری، تانسیمتری (۳) سایکرومتری، بمب فشار (۴) سایکرومتری، لایسیمتری

۹۷- در ستون خاک شکل مقابل، تانسیمتر جیوه‌ای $h = 15 \text{ cm}$ را نشان می‌دهد. در حالیکه $K = 10 \frac{\text{cm}}{\text{day}}$ و سطح ایستابی در

B باشد، جهت جریان آب در خاک و سرعت جریان بر حسب سانتی‌متر در روز کدام است؟

- (۱) جهت جریان از A به B، ۸۷ (۲) جهت جریان از B به A، ۹۲ (۳) جهت جریان از B به A، ۱۱۵ (۴) جهت جریان از A به B، ۱۴۵



۹۸- در صد آب چند برگ گیاهی، نسبت به وزن تر و وزن خشک آن‌ها به ترتیب ۸۰، ۴۰۰ می‌باشد، وزن تر به وزن خشک آن‌ها چند برابر است؟

- (۱) ۴ (۲) ۴/۵ (۳) ۵ (۴) ۵/۵

۹۹- حرکت آپوپلاستی آب در سلول‌های ریشه کدام مسیر را طی می‌کند؟

- (۱) عبور از منافذ موجود در دیواره سلول‌ها (۲) عبور از لابلای دیواره سلولی بدون عبور از غشاء سلولی (۳) عبور از لابلای دیواره سلولی با عبور از غشاء سلولی (۴) عبور از سلول‌ها با گذشتن از غشاء پلاسمایی

- 100- با وارد کردن یک مل از یک نوع نمک به آب نقطه جوش آن
 (۱) افزایش یافته و نقطه انجماد نیز افزایش می‌یابد.
 (۲) کاهش و نقطه انجماد آن افزایش می‌یابد.
 (۳) بالا رفته و نقطه انجماد آن کاهش می‌یابد.
 (۴) کاهش و نقطه انجماد نیز کاهش می‌یابد.

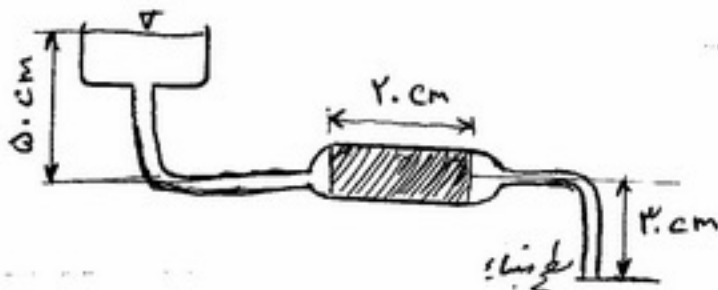
101- (Partial Root drying) PRD به کدام یک از مدیریت‌های زیر اطلاق می‌شود؟

- (۱) مدیریت گیاهی که در آن بخشی از ریشه‌ها قطع می‌شوند.
 (۲) مدیریت آبیاری که در آن بخشی از ریشه‌ها آب دریافت می‌کنند.
 (۳) مدیریت کودی که در آن بخشی از ریشه‌ها کود دریافت می‌کنند.
 (۴) مدیریت گیاهی که در آن بخشی از شاخ و برگ درخت به منظور کاهش تعرق قطع می‌شوند.

102- تأثیر اداکسیون (پهن رفت گرمائی) در برآورد ET_0 در کدام روش دخالت داده نشده است؟

- (۱) پن من اصلاح شده (۲) تشتک تبخیر (۳) لایسیمتر وزنی (۴) لایسیمتر حجمی
 (۱) جو - ذرت - مرکبات (۲) ذرت - جو - مرکبات (۳) ذرت - مرکبات - جو (۴) مرکبات - ذرت - جو

104- در شکل مقابل گرادیان هیدرولیکی چقدر است؟



- (۱) ۱
 (۲) ۲
 (۳) ۲/۵
 (۴) ۴

105- فشار اسمزی محلولی ۱۲/۲ بار است. این محلول در چه دمایی یخ می‌زند؟

- (۱) -۱/۸۶ (۲) -۱ (۳) ۰ (۴) ۱

106- پتانسیل اسمزی حاصله از حل شدن یک مول نمک قابل یونیزه شدن پتانسیل اسمزی حاصله از یک مول نمک غیر قابل یونیزه شدن است.

(۱) کمتر از (۲) برابر (۳) بیشتر از (۴) بسیار بیشتر از
 107- نتایج حاصله از انجام آزمایشات با حلقه‌های نفوذ در طراحی کدام یک از روش‌های آبیاری زیر می‌تواند مستقیماً مورد استفاده قرار گیرد؟

(۱) آبیاری‌های کرتی و نواری (۲) آبیاری قطره‌ای (۳) آبیاری بارانی (۴) در تمام روش‌ها
 108- در خاک غیر اشباع مهم‌ترین اجزاء پتانسیل آب که در جابجایی آب مؤثر هستند کدامند؟ Ψ_z پتانسیل ثقلی، Ψ_m پتانسیل ماتریک، Ψ_s پتانسیل اسمزی

(۱) Ψ_m و Ψ_p ، Ψ_z (۲) Ψ_p و Ψ_s ، Ψ_m (۳) Ψ_s و Ψ_m ، Ψ_z (۴) Ψ_z و Ψ_s ، Ψ_p
 109- چنانچه مقاومت اپیدرمی در برابر خروج بخار آب از برگ r_e ، مقاومت روزانه‌ای r_s ، مقاومت کوتیکولی r_c و مقاومت لایه هوای چسبیده به برگ r_a باشد مقاومت معادل کلی در برابر خروج بخار آب عبارت خواهد بود از:

(۱) $r_a + r_s$ (۲) $r_a + r_c$ (۳) $r_a + r_c + r_s + r_e$ (۴) $r_a + \frac{(r_c)(r_s)}{(r_c) + (r_s)}$

110- کدام یک از انواع گیاهان زیر با محیط‌های خشک سازگاری بیشتری دارند؟

- (۱) گیاهان نوع CAM (۲) گیاهان نوع سه کربنه (C3) (۳) گیاهان نوع چهار کربنه (C4) (۴) گیاهان نوع فراتوفیت (Phreatophyte)

هیدرولوژی

111- از تبدیل هیدروگراف واحد بلندمدت به هیدروگراف واحد کوتاه‌مدت

- (۱) دبی اوج و زمان پایه کاهش می‌یابد. (۲) دبی اوج افزایش و زمان پایه کاهش می‌یابد.
 (۳) هیدروگراف پهن‌تر و زمان پایه کاهش می‌یابد. (۴) مدت باران کاهش و شدت باران افزایش می‌یابد.

112- روش تیسن برای استفاده در کدام مورد است؟

- (۱) آزمایشات پمپاژ (۲) تکمیل آمار بارندگی (۳) میانگین بارش نقطه‌ای (۴) میانگین بارش یک منطقه
 (۱) کشیدگی (۲) چولگی (۳) ضریب تغییرات (۴) انحراف معیار

- ۱۱۴- عامل شکل (Li) حوضه چه تأثیری در زمان تأخیر دارد؟
 (۱) عامل شکل به زمان تأخیر بستگی دارد.
 (۲) عامل شکل و زمان تأخیر به طور معکوس به یکدیگر وابسته‌اند.
 (۳) هر چه عامل شکل بزرگتر باشد زمان تأخیر حوضه بیشتر است.
 (۴) هر چه عامل شکل کوچکتر باشد زمان تأخیر حوضه بیشتر است.
- ۱۱۵- چنانچه مقدار بارندگی سالانه در یک حوضه به طور متوسط ۲۰۰ میلی‌متر باشد نمایه توان فرسایش‌دهی باران در سال (R) به $mg.mm.hr^{-1}.hr^{-1}$ در آن حوضه چقدر تخمین زده می‌شود؟
 (۱) ۱۷۳۰ (۲) ۱۰۰ (۳) ۱۷۳ (۴) ۱۷/۳
- ۱۱۶- میانه وقایع هیدرولوژیک دارای چه دوره بازگشتی می‌باشد؟
 (۱) ۲ (۲) ۲/۳۳ (۳) ۱۰ (۴) ۵۰
- ۱۱۷- برای اندازه‌گیری سرعت جریان رودخانه از کدام یک از دستگاه‌های زیر استفاده می‌شود؟
 (۱) پارشال فلوم (۲) سرریز (۳) سرعت‌سنج و پل فلزی (۴) لیمنوگراف
- ۱۱۸- منحنی هیپسومتری عبارت است از:
 (۱) ارتفاع - شیب حوضه (۲) ارتفاع - مساحت حوضه (۳) پروفیل طولی آبراهه اصلی (۴) منحنی رطوبتی خاک
- ۱۱۹- در پروژه‌های که عمر مفید آن ۵۰ سال پیش‌بینی شده است، سیلاب پانصد ساله مبنای طرح قرار گرفته است. خطر شکست پروژه در یکسال و در طول عمر مفید آن به درصد کدام است؟
 (۱) ۹/۵ و ۰/۲ (۲) ۱۰ و ۰/۲ (۳) ۹۰ و ۰/۲ (۴) ۲ و ۹/۵
- ۱۲۰- چنانچه در یک حوضه آبریز تعداد رودخانه‌های رده اول و دوم و سوم به ترتیب ۱۷ و ۶ و ۲ بوده و آخرین رده رودخانه اصلی ۴ باشد نسبت انشعاب چقدر تخمین زده می‌شود؟
 (۱) ۱/۶ (۲) ۲/۶ (۳) ۳/۶ (۴) ۴/۶
- ۱۲۱- کدام یک از زمان‌های زیر در محاسبه دبی اوج سیل طرح از روش منطقی (استدلالی) استفاده می‌شود؟
 (۱) زمان تمرکز، تداوم بارش (۲) زمان تمرکز، زمان تأخیر (۳) زمان تأخیر، دوره بازگشت (۴) تداوم بارش، زمان به اوج رسیدن دبی
- ۱۲۲- هیدروگراف واحد ۱ ساعته حوضه به قرار زیر است مساحت حوضه به کیلومتر مربع چقدر است؟
- | زمان (ساعت) | ۱ | ۲ | ۳ | ۴ | ۵ | ۶ |
|-------------------------|----|----|-----|-----|----|----|
| دبی (متر مکعب بر ثانیه) | ۴۰ | ۸۰ | ۱۲۰ | ۱۰۰ | ۶۰ | ۲۰ |
- (۱) حداکثر ۵۰ (۲) ۱۵۱/۲ (۳) حداکثر ۲۵۰ (۴) ۱۵۱۲۰۰۰
- ۱۲۳- باران شش ساعته‌ای با شدت‌های ۷، ۱۸، ۲۵، ۱۰، ۳ و ۱۲ میلی‌متر بر ساعت ۳۳ میلی‌متر رواناب مستقیم تولید کرده است. شاخص ϕ به میلی‌متر بر ساعت چقدر است؟
 (۱) ۳ (۲) ۷ (۳) ۸ (۴) ۱۰
- ۱۲۴- در یک رودخانه سطح مقطع جریان ۱۰۰ مترمربع و محیط خیس شده آن نیز ۱۰۰ متر است. شیب این رودخانه ۲ در هزار می‌باشد. قطر کوچکترین ذره‌ای که در برابر جریان آب مقاومت کرده و در کف رودخانه باقی می‌ماند به سانتی‌متر چقدر است؟
 (۱) ۱/۱ (۲) ۲/۲ (۳) ۳/۳ (۴) ۴/۴
- ۱۲۵- دوره بازگشت ۲/۳۳، میانگین سیلاب طبق کدام توزیع آماری است؟
 (۱) پیرسون نوع سه (۲) لوگ نرمال (۳) نرمال (۴) گامبل
- ۱۲۶- کدام یک از موارد زیر شروع و پایان مشابهی دارند؟
 (۱) منحنی نفوذ و منحنی فروکش یک حوضه
 (۲) منحنی فروکش و بازوی پایین رونده هیدروگراف واحد
 (۳) هیدروگراف واحد و هیدروگراف رواناب مستقیم
 (۴) هیدروگراف بارندگی روی یک حوضه و هیدروگراف واحدی که از آن استخراج شود.
- ۱۲۷- برای بررسی اعتبار فرمول‌های تجربی محاسبه زمان متمرکز به آمار چه ایستگاه‌هایی نیاز است؟
 (۱) ایستگاه باران نگار (۲) ایستگاه هیدرومتری درجه سه (۳) ایستگاه هیدرومتری درجه یک (۴) ایستگاه‌های هیدرومتری و باران نگار
- ۱۲۸- آورد رودخانه‌ای ۲۰۰ متر مکعب بر ثانیه از حوضه‌ای به مساحت $28000 Km^2$ و باران سالانه روی حوضه $30 cm$ است. با فرض اینکه ورودی و خروجی سیستم مساوی و خروجی خالص آب‌های زیرزمینی از حوضه به حوضه‌های مجاور صفر باشد ارتفاع تبخیر و تعرق سالانه (بر اساس معادله بیلان آب به cm بر سال چقدر است؟
 (۱) ۷/۴۷ (۲) ۱۱/۲۵ (۳) ۲۰/۹۲ (۴) ۲۲/۵

۱۲۹- میانگین نرمال ماهانه بارندگی عبارت است از میانگین
 (۱) بارندگی که از توزیع نرمال تبعیت کند.
 (۲) بارندگی همان ماه در سال‌های آماری ضرب در ۵/۰

(۳) بارندگی متوسط همان ماه در سال‌های آماری، حداقل به مدت ۳۰ سال
 (۴) میانگین حسابی بارندگی ۱۲ ماه سال

۱۳۰- اگر ضریب تغییرات بارندگی در یک حوضه آبریز ۳۰ میلی‌متر در سال باشد و بخواهیم با تقریب ۱۰ درصد اشتباه مجاز بارندگی سالانه را در این حوضه داشته باشیم چند ایستگاه هواشناسی را باید حداقل در حوضه داشته باشیم؟

(۱) ۳ (۲) ۶ (۳) ۹ (۴) ۱۲

۱۳۱- در مطالعات خشکسالی و سیلاب به ترتیب کدام یک از دبی‌های ذیل برای تحلیل استفاده می‌گردد؟

(۱) حداقل دبی متوسط روزانه، حداکثر دبی لحظه‌ای سالانه (۲) حداقل دبی متوسط روزانه، حداکثر دبی متوسط روزانه
 (۳) حداقل دبی لحظه‌ای سالانه، حداکثر دبی متوسط روزانه (۴) حداقل دبی لحظه‌ای سالانه، حداکثر دبی لحظه‌ای سالانه

۱۳۲- کدام یک از روابط زیر در مورد روش روندیابی سیل صحیح است؟ (اگر $N = \frac{V}{\Delta t} + \frac{O}{\tau}$)

$$N_2 = N_1 + \frac{1}{\tau}(I_1 + I_2) - \frac{O_1}{\tau} \quad (۱) \quad N_2 = N_1 + 2(I_1 + I_2) - \frac{O_1}{\tau} \quad (۲)$$

$$N_2 = N_1 + \frac{1}{\tau}(I_1 + I_2) - O_1 \quad (۳) \quad N_2 = N_1 + 2(I_1 + I_2) - O_1 \quad (۴)$$

۱۳۳- ایستگاه‌های هیدرومتری درجه ۳ کدام ویژگی از رواناب را اندازه‌گیری می‌کند؟

(۱) دبی میانه روزانه (۲) حداقل دبی لحظه‌ای (۳) حداکثر دبی لحظه‌ای (۴) دبی متوسط روزانه

۱۳۴- در روش استدلالی شدت بارندگی (I) از چه منحنی قابل دریافت است؟

(۱) منحنی جرم (۲) منحنی جرم مضاعف (۳) عمق - مساحت - مدت (۴) شدت - مدت - فراوانی

۱۳۵- فاصله زمانی خطوط ایزوکرون در یک حوضه آبریز

(۱) در طول مسیر جریان برابر است. (۲) از پایین دست به بالادست حوضه زیاد می‌شود.

(۳) از پایین دست به بالادست حوضه کم می‌شود. (۴) وابسته به زمان تمرکز حوضه می‌باشد.

هیدرولوژی آب‌های سطحی و زیرزمینی

۱۳۶- کدام یک از معادلات زیر برای روندیابی مخزن است؟

$$\frac{1}{\tau}(I_1 + I_2)\Delta t + (S_1 - \frac{Q_1\Delta t}{\tau}) = (\frac{2S_2}{\Delta t} + Q_2) \quad (۱) \quad (I_1 + I_2) + (\frac{2S_1}{\Delta t} - Q_1) = (\frac{2S_2}{\Delta t} + Q_2) \quad (۲)$$

$$\frac{1}{\tau}(I_1 + I_2)\Delta t + (S_1 - \frac{Q_1\Delta t}{\tau}) = (\frac{2S_2}{\Delta t} + Q_2) \quad (۴) \quad (I_1 + I_2)\Delta t + (\frac{2S_1}{\Delta t} - Q_1) = (\frac{2S_2}{\Delta t} + Q_2) \quad (۳)$$

۱۳۷- دبی اوج هیدروگراف واحد مصنوعی اشنایدر کدام است؟

$$\frac{2/778 A C_p t_p}{C_p t_p} \quad (۴) \quad \frac{2/778 C_p t_p}{A} \quad (۳) \quad \frac{2/778 A C_p}{t_p} \quad (۲) \quad \frac{2/778 C_p t_p}{A C_p} \quad (۱)$$

۱۳۸- برای رودخانه‌های طبیعی مقدار پارامتر ماسکینگام x در چه محدوده‌ای قرار دارد؟

(۱) بین صفر تا ۰/۳ (۲) بیشتر از ۰/۵ (۳) بین ۰/۳ تا ۰/۶ (۴) بیشتر از ۱

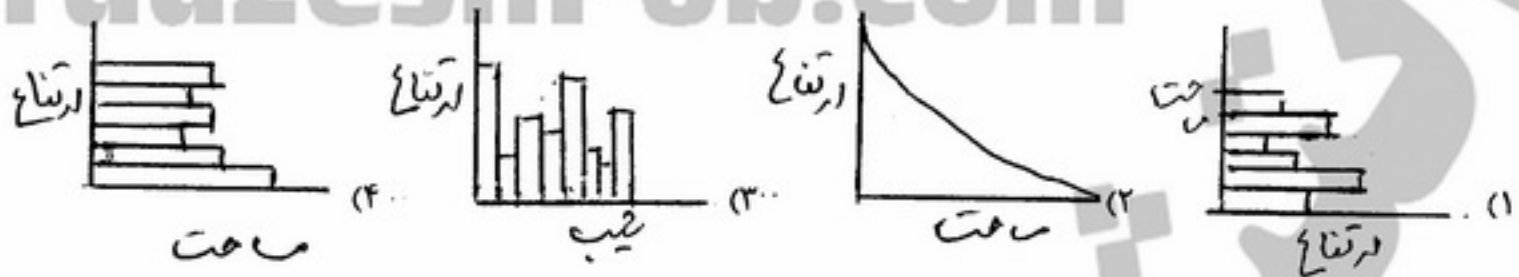
۱۳۹- از فرمول استدلالی برای تخمین حداکثر دبی رواناب استفاده می‌شود. برای بارندگی ۳ ساعته‌ای به ارتفاع ۲/۵ سانتی‌متر روی

حوضه‌ای به مساحت ۶۷ کیلومتر مربع و زمان تمرکز ۳ ساعت، دبی در ساعت چهار به مترمکعب بر ثانیه چقدر است؟ (ضریب

رواناب = ۱)

(۱) صفر (۲) ۱۱۶ (۳) ۱۵۵ (۴) ۱۱۶۳۱

۱۴۰- کدام یک از شکل های زیر نمودار آلتی متر حوضه است؟



۱۴۱- از چاه پمپاژی به قطر ۳۰ سانتی متر در سفره آزادی، به مقدار ۴۰ لیتر در ثانیه برداشت می شود. به منظور افزایش منطقه آبدی چاه، در انتهای چاه گالری های به صورت افقی زده شده است. در این صورت آبدی چاه به ۵۲ لیتر در ثانیه افزایش یافت. راندمان آبدی چاه چند درصد اضافه شده است؟

- (۱) ۲۵ (۲) ۳۰ (۳) ۳۲ (۴) ۷۶

۱۴۲- اگر زمان تداوم بارندگی از زمان تمرکز حوضه ای آبریز کوچک تر باشد، زمان تمرکز از روی هیدروگراف به دست آمده از آن برابر است با فاصله ی زمانی بین

- (۱) شروع هیدروگراف تا زمان رسیدن اوج آن
 (۲) مرکز ثقل بارندگی تا زمان رسیدن اوج هیدروگراف
 (۳) مرکز ثقل بارندگی تا نقطه ی عطف بر روی بازوی پایین رونده ی هیدروگراف
 (۴) زمان ختم بارندگی تا نقطه ی عطف بر روی بازوی پایین رونده ی هیدروگراف

۱۴۳- معادله ابعادی ضریب ذخیره در تشکیلات آب زیرزمینی کدام است؟

- (۱) L^3 (۲) LT^{-1} (۳) L^3T^{-1} (۴) بدون بعد

۱۴۴- کدام یک از موارد زیر جزو محدودیت های استفاده از قانون دارسی نیست؟

- (۱) جریان ملایم و یا ورقه ای
 (۲) رژیم ماندگار
 (۳) همگنی محیط سفره
 (۴) یکنواختی یا همسو بودن محیط

۱۴۵- کدام یک از گزینه های زیر در آزمایش پمپاژ (هیدرولیک چاه در حالت ناپایدار) به روش تیس صادق است؟ (U میزان افت)

- (۱) تابع چاه یک تابع نمایی است.
 (۲) ارتباط بین تابع چاه با U مانند μ و $\frac{r^2}{t}$ است.

- (۳) ارتباط بین تابع چاه و μ مانند U و $\frac{r^2}{t}$ است.
 (۴) از جمله سوم به بعد در تابع چاه صرف نظر می شود.

۱۴۶- جریان شعاعی داخل یک چاه در سفره تحت فشار با استفاده از کدام رابطه محاسبه می شود؟

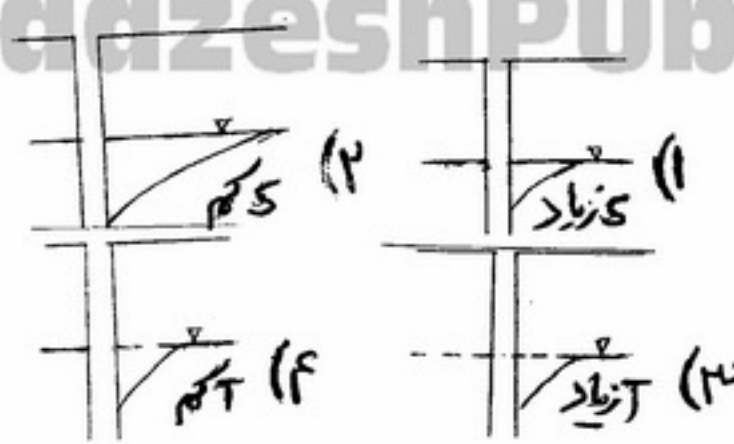
(۱) $Q = -2\pi r b k \frac{dh}{dr}$
 (۲) $Q = -2\pi r k h \frac{dh}{dr}$
 (۳) $Q = 2\pi r k b \frac{h - h_w}{\ln(\frac{r}{rw})}$
 (۴) $Q = -\frac{k}{2L}(h_o^2 - h_L^2)$

۱۴۷- در معادله دو پویی - فر شهیمر که به صورت زیر است:

$$q = -\frac{K}{2L}(h_o^2 - h_L^2)$$

- (۱) دبی بهره برداری از چاه می باشد.
 (۲) دبی تبادل بین دو آبراهه می باشد.
 (۳) دبی تداخل آب شور و شیرین می باشد.
 (۴) نفوذ از سطح به سفره می باشد.

۱۴۸- کدام یک از گزینه های زیر نادرست است؟ (s ضریب ذخیره، Q آبدهی و t زمان)



- (۱) در شرایط یکسان T ، Q و t شکل مخروط است.
 (۲) در شرایط یکسان T ، Q و t شکل مخروط است.
 (۳) در شرایط یکسان S ، Q و t شکل مخروط است.
 (۴) در شرایط یکسان S ، Q و t شکل مخروط است.

۱۴۹- چنانچه چگالی آب شور ۲٪ و چگالی آب شیرین یک گرم در سانتی متر مکعب باشد، مقدار x در رابطه $h_s = xh_f$ چقدر است؟

- (۱) ۵ برابر (۲) ۱۰ برابر (۳) ۴۰ برابر (۴) ۵۰ برابر

۱۵۰- شرایط استفاده از روش کوپر - ژاکوب کدام است؟

- (۱) چاه نزدیک رودخانه باشد.
 (۲) چاه مرتب تبخیر شود.
 (۳) مقدار r کم و زمان (t) زیاد باشد.
 (۴) دو چاه مشاهده ای در زمان آزمایش وجود داشته باشد.
 ۱۵۱- می دانیم که تخلخل کل برابر با آبدهی ویژه بعلاوه نگهداشت سطحی می باشد و به صورت $n = S_y + S_r$ نوشته می شود.

نگهداشت ویژه در میزان بهره برداری از سفره آب زیرزمینی

- (۱) از سفره تحت فشار نقش دارد.
 (۲) آزاد نقش دارد.
 (۳) در هر نوع سفره ای نقش دارد.
 (۴) هیچ نقشی ندارد.

۱۵۲- کدام یک از فرضیات زیر جزو فرضیات آزمایش پمپاژ بر روش تیس نیست؟

- (۱) سفره آزاد باشد.
 (۲) سفره آب زیرزمینی همگن و یکنواخت باشد.
 (۳) سطح پیزومتریک در ابتدای آزمایش افقی باشد.
 (۴) مقدار ذخیره داخل چاه قابل صرف نظر کردن باشد.
 ۱۵۳- در روش آزمایش پمپاژ در شرایط غیرماندگار (روش ژاکوب و کوپر)، اگر T قابلیت انتقال، t_0 زمان صفر و r فاصله بین چاه پمپاژ و چاه مشاهده ای باشد، ضریب ذخیره برابر است با:

(۱) $\frac{1/25Tt_0}{r^2}$ (۲) $\frac{1/25T^2t_0}{r}$ (۳) $\frac{2/25Tt_0}{r^2}$ (۴) $\frac{2/25T^2t_0}{r}$

۱۵۴- در سیستم آب های زیرزمینی، آبدهی چشمه های:

- (۱) آبرفتی اندکی از آهکی بیشتر است.
 (۲) آهکی به مراتب بیشتر از چشمه های آبرفتی است.
 (۳) آبرفتی و آهکی تفاوت چندانی نمی کند.
 (۴) آهکی آبرفتی به مراتب بیشتر از چشمه های کوهستانی می باشد.

۱۵۵- رابطه ی pdf و CDF کدام است؟

- (۱) اولی مشتق دومی است.
 (۲) دومی مشتق اولی است.
 (۳) ارتباطی ندارند.
 (۴) رابطه ی آنها تنها برای تابع توزیع احتمال نرمال تعریف شده است.

۱۵۶- در روش استدلالی کدام یک از زمان های زیر نقش مهمی در محاسبه دبی اوج سیل دارد؟

- (۱) زمان تأخیر (۲) زمان تمرکز حوضه (۳) زمان به اوج رسیدن دبی (۴) زمان بارش مازاد

۱۵۷- در فرمول فراوانی برای تخمین دبی اوج سیلاب با دوره بازگشت مورد نیاز آماره‌های مورد نیاز عبارتند از:

- (۱) میانگین و انحراف معیار
(۲) میانگین و ضریب تغییرات
(۳) میانگین، انحراف معیار و چولگی
(۴) میانگین، ضریب تغییرات و چولگی

۱۵۸- برای محاسبه هیدروگراف واحد مصنوعی به روش اشنایدر، L_{CG} به چه مفهومی اشاره دارد؟

- (۱) طول آبراهه اصلی
(۲) طول آبراهه اصلی از نقطه خروجی تا مرکز ثقل حوضه
(۳) طول طویل‌ترین مسیر جریان در حوضه
(۴) طول آبراهه اصلی از نقطه خروجی تا پای عمود از مرکز ثقل حوضه

۱۵۹- لیمنوگراف همراه با کدام یک از منحنی‌های زیر باید به کار گرفته شود؟

- (۱) منحنی دبی - اشل (۲) منحنی تداوم (۳) هیدروگراف (۴) هیتوگراف

۱۶۰- روش جرم مضاعف چه کاربردی دارد؟

- (۱) محاسبه میزان نفوذ
(۲) آزمون همگنی داده‌های بارندگی
(۳) محاسبه شدت بارندگی
(۴) محاسبه حجم مخزن

سیستم‌های آبیاری

۱۶۱- حداکثر دور آبیاری در یک مزرعه با عمق ریشه 0.8 متر، کل آب قابل استفاده 120 میلی‌متر در هر متر عمق خاک، تخلیه مجاز مدیریتی 60 درصد و تبخیر و تعرق $7/2$ میلی‌متر در روز برابر چند روز است؟

- (۱) ۶ (۲) ۷ (۳) ۸ (۴) ۹

۱۶۲- اگر در خاکی به عمق $1/2$ متر و چگالی ظاهری $1/5$ مقدار 7 میلی‌متر آب موجود باشد رطوبت وزنی خاک چند درصد است؟

- (۱) $27/7$ (۲) $29/5$ (۳) $38/8$ (۴) $41/7$

۱۶۳- در صورتی که ظرفیت حجمی رطوبت خاک قبل و بعد از آبیاری به ترتیب 10 و 16 درصد باشد، شعاع جبهه رطوبتی (پساز رطوبتی) برای چکاننده‌ای با دبی 4 لیتر در ساعت پس از 12 ساعت آبیاری چند سانتی‌متر است؟ (خاک عمیق است و رواناب وجود ندارد.)

- (۱) 153 (۲) $72/5$ (۳) 56 (۴) $42/5$

۱۶۴- یک کرت به مساحت 0.12 هکتار برای مدت 2 ساعت با دبی 30 لیتر در ثانیه آبیاری گردیده است. قبل از آبیاری کمبود رطوبت خاک برابر 130 میلی‌متر بود. در صورتی که کمبود رطوبت خاک داخل کرت کاملاً تأمین شده باشد ($E_p = 100$ درصد) راندمان کاربرد آب چند درصد است؟

- (۱) 56 (۲) 64 (۳) 72 (۴) 85

۱۶۵- مقدار نیاز آبی ذرت که در یک خاک سبک به عمق $1/5$ متر کشت شده معادل 10 میلی‌متر در روز است. اگر ضریب تخلیه رطوبتی مجاز خاک 0.6 باشد دور آبیاری چند روز است؟ (رطوبت قابل ذخیره خاک 8 سانتی‌متر در هر متر خاک می‌باشد.)

- (۱) $4/8$ (۲) 6 (۳) $7/2$ (۴) 12

۱۶۶- در صورتی که 50 درصد حجم خاکی از آب و هوا و 50 درصد دیگر آن ذرات جامد خاک تشکیل دهند، نسبت پوکی خاک چند برابر تخلخل خاک است؟

- (۱) نصف تخلخل (۲) با هم برابرند. (۳) $1/5$ برابر تخلخل (۴) دو برابر تخلخل

۱۶۷- زمان تأخیر در طراحی آبیاری نواری در شیب‌های تند و ملایم به چه صورت می‌باشد؟

- (۱) در شیب‌های تند زمان تأخیر خیلی کمتر از شیب‌های ملایم می‌باشد.
(۲) نقش اصلی در زمان تأخیر بسته به مقدار ارتفاع خالص آب آبیاری می‌باشد.
(۳) بستگی به مقدار دبی در واحد عرض دارد و با افزایش شیب و دبی در واحد عرض، زمان تأخیر کاهش می‌یابد.
(۴) هیچ ارتباطی ندارد.

۱۶۸- در استفاده از سیستم آبیاری بارانی به منظور حفاظت گیاهان در مقابل یخبندان اگر شدت پخش آبپاش‌ها 0.15 اینچ در ساعت باشد مقدار آب مورد نیاز بر حسب لیتر در دقیقه در هکتار چقدر است؟

- (۱) 45 (۲) 275 (۳) 635 (۴) 1270

- ۱۶۹- مزرعه‌ای به مساحت ۵ هکتار با گنجایش نگهداری رطوبت خاک ۱۲ سانتی‌متر به ازاء یک متر عمق خاک و سرعت نفوذ نهایی خاک ۰/۹۵ سانتی‌متر در ساعت دارای یک سیستم آبیاری بارانی با جابجایی دستی است. عمق ریشه ۹۰ سانتی‌متر، تبخیر تعرق پتانسیل ۷ میلی‌متر در روز و راندمان کاربرد و تخلیه مجاز رطوبت خاک به ترتیب ۷۵ و ۵۵ درصد می‌باشند. اگر دو جابجایی در روز در نظر گرفته شود و ساعات کار سیستم در شبانه‌روز ۲۲ ساعت باشد، شدت آبیاری آبپاش‌ها چند سانتی‌متر در ساعت است؟
 (۱) ۰/۸۷ (۲) ۰/۶۸ (۳) ۰/۵۶ (۴) ۰/۳۸
- ۱۷۰- ساعات کار یک سیستم بارانی ۸ ساعت در روز و دور آبیاری دو روز است. اگر مساحت مزرعه ۵ هکتار و نیاز خالص آبیاری ۲۰ میلی‌متر باشد، ظرفیت سیستم چند لیتر در ثانیه خواهد شد؟
 (۱) ۰/۱۰۴ (۲) ۶/۲۵ (۳) ۱۷/۳۶ (۴) ۱۰۴/۱۶
- ۱۷۱- در منطقه‌ای آب مصرفی ماه اوج (تیرماه) چغندر قند برابر با ۲۵۰۰ متر مکعب در هکتار است. در صورتی که سیستم آبیاری مزرعه موردنظر در دو شیفت ۶ ساعته در روز کار کند هیدرومدول آبیاری چند لیتر در ثانیه در هکتار است؟
 (۱) ۱/۹۷ (۲) ۱/۸۷ (۳) ۱/۵۶ (۴) ۱/۶۷
- ۱۷۲- در یک سیستم آبیاری بارانی کلاسیک با جابجایی لوله‌های فرعی فاصله آبپاش‌ها ۱۲×۱۵ متر در نظر گرفته شده است. حداکثر تبخیر و تعرق ۸ میلی‌متر در روز، راندمان کاربرد ۸۰ درصد و دور آبیاری ۷ روز است. اگر لوله‌های فرعی ۲ بار در روز جابجا شوند و برای هر جابجایی ۲ ساعت وقت لازم باشد دبی هر آبپاش چند لیتر در ثانیه است؟
 (۱) ۰/۴۵ (۲) ۰/۳۵ (۳) ۰/۲۵ (۴) ۰/۱۴
- ۱۷۳- مدت زمان استقرار (زمان کار) یک آبپاش در سیستم ثابت با آبپاش متحرک، در صورتی که فاصله آبپاش‌ها ۲۵×۳۰ مترمربع، تبخیر و تعرق روزانه گیاه، ۷/۲ میلی‌متر در روز، دور آبیاری ۷ روز، دبی آبپاش ۳/۵ لیتر در ثانیه و راندمان کاربرد آبیاری ۷۵ درصد باشد برابر چند ساعت می‌باشد؟
 (۱) ۲ (۲) ۳ (۳) ۴ (۴) ۵
- ۱۷۴- در یک سیستم آبیاری شیاری به روش کات بک با مجموعه‌های دوتایی در صورتی که دبی کل موجود ۱۱/۳۴ مترمکعب در دقیقه، طول هر شیار ۲۰۰ متر، سرعت نفوذ نهایی خاک ۰/۰۰۰۰۴۶ متر مکعب در دقیقه بر متر و حداکثر دبی غیرفرسایشی هر شیار ۰/۱۵ متر مکعب در دقیقه باشد تعداد شیارها برای مجموعه اول چقدر است؟
 (۱) ۲۵۰ (۲) ۴۸۰ (۳) ۶۲۵ (۴) ۷۵۶
- ۱۷۵- با یک سیلندر نمونه‌برداری حجمی از خاک با درصد خلل و فرج ۴۰ درصد که فضای اشغال شده توسط آب و هوا و بخار آن برابر با ۳۰ سانتی‌متر مکعب است برداشت شده است. حجم ذرات جامد خاک چند سانتی‌متر مکعب است؟
 (۱) ۴۵ (۲) ۵۰ (۳) ۳۵ (۴) ۲۵
- ۱۷۶- اگر معادله یک قطره‌چکان به صورت $q = Kh^x$ باشد، که در آن q = دبی، h = فشار و K و x عدد ثابت هستند. قطره‌چکان وقتی ایده‌آل خواهد بود که در آن معادله x برابر باشد.
 (۱) صفر (۲) ۰/۵ (۳) ۱ (۴) ۲
- ۱۷۷- در یک سیستم آبیاری شیاری با استفاده مجدد از رواناب کمبود رطوبت خاک در زمان آبیاری ۱۰ سانتی‌متر، فاصله شیارها ۰/۷۵ متر، طول شیار ۲۰۰ متر، دبی هر شیار ۰/۰۱۷ مترمکعب در دقیقه، زمان نفوذ عمق خالص آبیاری ۷۸۵ دقیقه، زمان پیشروی ۵۵۵ دقیقه و کل حجم آب نفوذ یافته به هر شیار ۱۹/۵۴۵ مترمکعب می‌باشد. راندمان کاربرد چند درصد است؟ (دبی کل موجود ۲/۰۷۹ مترمکعب در دقیقه می‌باشد).
 (۱) ۳۹ (۲) ۴۵ (۳) ۵۵ (۴) ۸۰
- ۱۷۸- اگر معادله نفوذ تجمعی آب در خاک به صورت $Z = kt^{0.5}$ (Z عمق نفوذ تجمعی، k ضریب ثابت و t زمان) باشد و زمان پیش روی آب در جویچه‌ها معادل زمان لازم برای نفوذ آب باشد ابتدای جویچه نسبت به انتهای آن چند درصد آب اضافی نفوذ می‌کند؟
 (۱) ۵۰ (۲) ۴۰ (۳) ۳۵ (۴) ۳۰
- ۱۷۹- برای تولید ۱۱ تن محصول ذرت علوفه‌ای مقدار آب داده شده به زمین برابر با ۷۲ میلی‌متر و تبخیر و تعرق گیاه برابر با ۵۸ میلی‌متر بوده است. تلفات عمقی و راندمان کاربرد به ترتیب چند میلی‌متر و چند درصد است؟ (رواناب ناچیز فرض گردد).
 (۱) ۱۲ و ۹۲ (۲) ۱۵ و ۸۲ (۳) ۱۶ و ۷۸ (۴) ۱۴ و ۸۵
- ۱۸۰- در منطقه‌ای مقدار کل آب مورد نیاز فصل رشد گندم ۶۷۰ میلی‌متر و عمق آب کاربردی در طول فصل رشد ۸۵ میلی‌متر بوده است. نیاز آبیاری چند درصد در نظر گرفته شده است؟
 (۱) ۱۸/۲۷ (۲) ۲۱/۱۷ (۳) ۲۵/۳۱ (۴) ۳۱/۱۹

۱۸۱- در یک سیستم آبیاری شیاری با استفاده مجدد از رواناب کمبود رطوبت خاک در زمان آبیاری ۱۰ سانتی متر، فاصله شیاریها ۷۵/۰ متر، طول شیار ۲۰۰ متر، دبی هر شیار ۱۷/۰ مترمکعب در دقیقه، زمان نفوذ عمق خالص آبیاری ۷۸۵ دقیقه، زمان پیشروی ۵۵۵ دقیقه و کل حجم آب نفوذ یافته به هر شیار ۱۹/۵۴۵ مترمکعب می باشد. فرونشست عمقی چند درصد است؟ (دبی کل موجود ۷۹/۰۲ مترمکعب در دقیقه می باشد.)

(۱) ۲۰ (۲) ۱۴ (۳) ۳۲ (۴) ۴۵

۱۸۲- مزرعه ای به مساحت ۵۰ هکتار با گنجایش نگهداری رطوبت خاک ۱۲ سانتی متر به ازاء یک متر عمق خاک و سرعت نفوذ نهایی خاک ۰/۹۵ سانتی متر در ساعت دارای یک سیستم آبیاری بارانی با جابجایی دستی است. عمق ریشه ۹۰ سانتی متر، تبخیر تعرق پتانسیل ۷ میلی متر در روز و راندمان کاربرد و تخلیه مجاز رطوبت خاک به ترتیب ۷۵ و ۵۵ درصد می باشند. اگر دو جابجایی در روز در نظر گرفته شود و ساعات کار سیستم در شبانه روز ۲۲ ساعت باشد. ظرفیت سیستم چند لیتر در ثانیه است؟

(۱) ۲۶ (۲) ۳۴ (۳) ۴۵ (۴) ۵۹

۱۸۳- عمق آب آبیاری و دور آبیاری در سیستم بارانی عقربه ای (سنتر پیوت) و جابجایی خطی (لینیر) بچه صورتی است؟
 (۱) عمق آب آبیاری کم و دور آبیاری کوتاه
 (۲) عمق آبیاری زیاد و دور آبیاری کوتاه
 (۳) عمق آبیاری کم و دور آبیاری زیاد
 (۴) عمق و دور آبیاری در این دو سیستم متفاوت است.

۱۸۴- نسبت چگالی ظاهری به حقیقی خاکی ۶۵ درصد است. نسبت پوکی خاک چند درصد خواهد بود؟

(۱) ۵۳/۸ (۲) ۶۲/۸ (۳) ۴۵/۷ (۴) ۳۷/۵

۱۸۵- متوسط رطوبت حجمی در حد ظرفیت مزرعه و نقطه پژمردگی دائمی تا عمق ۹۰ سانتی متری خاک مزرعه ای به مساحت ۲۰ هکتار به ترتیب برابر با ۴۰ و ۲۰ درصد است. متوسط درصد حجمی رطوبت خاک قبل از آبیاری برابر با ۳۰ درصد است. در صورتی که آبیاری در این نقطه رطوبتی صورت گیرد، حجم آبی که در یک سیستم آبیاری سطحی باید برای این مزرعه تأمین نماید چند مترمکعب خواهد بود؟

(۱) ۱۲۰۰۰ (۲) ۱۵۰۰۰ (۳) ۱۷۰۰۰ (۴) ۱۸۰۰۰

مهندسی زهکشی

۱۸۶- یک زهکش در فاصله ۳۰ متری از یک کانال خاکی واقع شده است. سطح آب در کانال ۳ متر بالاتر از سطح آب در زهکش است. آب نشت یافته از کانال از طریق یک لایه خاک افقی به ضخامت ۱/۶۱ متر که دارای هدایت آبی ۰/۳ متر در روز است به زهکش جریان می یابد. میزان نشت آب در ۱۰۰ متر طول زهکش بر حسب مترمکعب در روز چقدر است؟

(۱) ۰/۱۸۳ (۲) ۰/۵۴۹ (۳) ۱/۰۹۸ (۴) ۱/۸۳

۱۸۷- اگر L (فاصله زهکش های لوله ای) در مقایسه با h (بار آبی) و D (فاصله زهکش ها تا لایه غیرقابل نفوذ) بزرگ باشد، الگوی جریان آب به طرف زهکش ها غالباً

(۱) افقی است. (۲) عمودی است. (۳) شعاعی است. (۴) غیرقابل تشخیص است.

۱۸۸- در مزرعه ای هدایت آبی خاک ۲۰ میلی متر در ساعت تعیین شده است. تخلخل مؤثر خاک مزرعه چند درصد است؟

(۱) ۷ (۲) ۱۴ (۳) ۲۰ (۴) ۴۸

۱۸۹- در مزرعه ای به وسعت ۹۰ هکتار EC آب آبیاری ۱/۴ میلی موز بر سانتی متر، نیاز آبی گیاه ۰/۹ سانتی متر در روز و حداکثر شوری قابل تحمل گیاه ۵ میلی موز بر سانتی متر است. شدت ثابت زهکشی بر حسب سانتی متر در روز به منظور جلوگیری از افزایش نمک خاک چقدر است؟

(۱) ۰/۱۷ (۲) ۰/۲۵ (۳) ۰/۳۵ (۴) ۰/۴۲

۱۹۰- در مزرعه ای فاصله از لایه غیرقابل نفوذ تا زهکش ۶/۱ متر، عمق زهکش ۲/۴ متر، عمق ریشه ۱/۲ متر، هدایت آبی خاک ۱/۲ متر در روز، فرونشست عمقی ۲/۵ سانتی متر و دور آبیاری ۱۲ روز است. فاصله زهکش های زیرزمینی با استفاده از روش دونان چند متر است؟

(۱) ۳۱ (۲) ۷۷ (۳) ۱۹۳ (۴) ۲۴۰

۱۹۱- در مزرعه ای آبدهی ویژه خاک ۱۰ درصد، عمق خالص آبیاری ۳ سانتی متر، راندمان آبیاری ۷۰ درصد و رواناب سطحی ناچیز است. خیز سطح ایستابی در هر آبیاری چند سانتی متر است؟

(۱) ۱/۳ (۲) ۶/۴ (۳) ۱۰ (۴) ۱۲/۸

۱۹۲- وقتی کانال های زهکشی در شرایط مساوی جانشین زهکش های لوله ای می شوند خطوط جریان آب به طرف زهکش ها

(۱) کوتاه تر شده و افت بار هیدرولیکی افزایش می یابد. (۲) طول تر شده و افت بار هیدرولیکی افزایش می یابد.

(۳) طول تر شده و افت بار هیدرولیکی کاهش می یابد. (۴) کوتاه تر شده و افت بار هیدرولیکی کاهش می یابد.

- ۱۹۳- در یک خاک با ضریب زهکش ۱۰ میلی متر در روز که سطح ایستابی در عمق ۱ متری قرار دارد و عمق نصب زهکش‌ها ۲ متر است، در صورتی که هدایت هیدرولیک خاک ۰/۵ متر در روز باشد، افت عمودی چند سانتی متر است؟
 (۱) ۱ (۲) ۲ (۳) ۳ (۴) ۴
- ۱۹۴- در مناطقی که از چاه برای زهکشی استفاده می‌شود یکی از شرایط منطقه ضریب انتقال پذیری آبخوان می‌باشد. مقدار حداقل این ضریب در صورتی که نفوذپذیری لایه بالایی اندک باشد، چقدر بایستی باشد؟
 (۱) ۲۰ متر مربع در روز (۲) ۴۰ متر مربع در روز (۳) ۱۰۰ متر مربع در روز (۴) ۱۰۰ متر مکعب در روز
- ۱۹۵- سطح منافذ در لوله‌های یکپارچه در هر متر طول لوله حدود چند میلی متر مربع است؟
 (۱) ۲۰۰ (۲) ۵۰۰ (۳) ۱۴۰۰ (۴) ۲۵۰۰
- ۱۹۶- موقعیت خروجی سیستم زهکشی برای تعیین کدام عامل است؟
 (۱) شیب هیدرولیکی و موقعیت سطح ایستابی (۲) عمق و فاصله زهکش‌ها
 (۳) عمق، طول و جهت زهکش‌ها (۴) فاصله و جهت زهکش‌ها
- ۱۹۷- یکی از معیارهای ترزاقی برای تناسب مواد پوششی لوله‌های زهکشی، این است که نفوذپذیری مواد صافی تقریباً بیش از ده برابر نفوذپذیری خاک باشد. برای این منظور کدام یک از شرط‌های زیر مناسب است؟ (D مربوط به صافی و d مربوط به خاک است).
 (۱) $D_{15} \geq 4d_{85}$ (۲) $D_{15} \leq 4d_{15}$ (۳) $D_{15} \geq 4d_{85}$ (۴) $D_{15} \leq 4d_{85}$
- ۱۹۸- مقادیر رطوبت وزنی و حجمی خاکی در ظرفیت مزرعه به ترتیب ۲۰ و ۳۱/۲ درصد می‌باشد. اگر وزن مخصوص حقیقی خاک ۲/۶ گرم بر سانتی متر مکعب باشد، مقدار آبدهی ویژه چند درصد است؟
 (۱) ۸/۸ (۲) ۱۰ (۳) ۱۱/۲ (۴) ۱۵
- ۱۹۹- ستون خاکی از دو لایه رسی و شنی در دو حالت پر شده است. در حالت اول لایه رسی روی لایه شنی و در حالت دوم لایه شنی روی لایه رسی قرار دارد. اگر این دو ستون با آبپاش به گونه‌ای آبیاری شوند که روی سطح خاک آبی جمع نشود، شدت آبپاش در دو حالت چگونه است؟
 (۱) در حالت دوم کمتر از حالت اول است. (۲) در حالت اول کمتر از حالت دوم است.
 (۳) در هر دو حالت برابر است. (۴) اطلاعات کافی نیست.
- ۲۰۰- در مزرعه‌ای تخلخل مؤثر خاک ۵ درصد، عمق خالص آبیاری ۵ سانتی متر، راندمان آبیاری ۷۰ درصد و رواناب سطحی ناچیز است. خیز سطح ایستابی در هر آبیاری چند سانتی متر است؟
 (۱) ۱۵ (۲) ۲۱/۴ (۳) ۳۰ (۴) ۴۲/۸
- ۲۰۱- کدام گزینه در باره‌ی راندمان آبشویی درست‌تر است؟
 (۱) در خاک رسی بیش‌تر است. (۲) در خاک‌های شنی بیش‌تر است.
 (۳) به شوری متوسط خاک بستگی دارد. (۴) مقدار آن ارتباطی به بافت خاک ندارد.
- ۲۰۲- در مورد طراحی فیلترهای سنگ ریزه‌ای، کدام گزینه درست‌تر است؟

$$\frac{D_{15} \text{ Filter}}{D_{15} \text{ Soil}} = 12 - 58 \quad (1)$$

$$\frac{D_{50} \text{ Filter}}{D_{50} \text{ Soil}} = [12 - 58] \quad (2)$$
 (۳) منحنی دانه‌بندی فیلتر، پوش بالایی منحنی‌های دانه‌بندی خاک منطقه است.
 (۴) منحنی دانه‌بندی فیلتر، پوش پایینی منحنی‌های دانه‌بندی خاک منطقه است.
- ۲۰۳- اگر متوسط شوری خاک در عمق یک متری ۷۰۰۰ PPM، وزن مخصوص ظاهری خاک ۱/۵ گرم بر سانتی متر مکعب، شوری آب آبیاری ۵۰۰ PPM و شوری آب زهکشی ۱۵۰۰ PPM باشد و در طول سال ۲ متر آب به کار برده شود که یک متر آن برای نیاز آبی گیاه مصرف می‌شود. چند سال طول می‌کشد تا شوری خاک به ۲۰۰۰ PPM برسد؟
 (۱) ۱۰ (۲) ۱۵ (۳) ۲۰ (۴) ۲۵
- ۲۰۴- اگر زهکش‌ها در عمق ۲ متری نصب شده باشد و مقدار تغذیه در اثر آبیاری ۱۶ سانتی متر و تخلخل قابل زهکش ۱۰٪ و ضریب عکس‌العمل ۰/۲۵ باشد. در صورتی که پس از آبیاری سطح ایستابی تا عمق ۰/۴ متری سطح خاک بالا بیاید، پس از ۴ روز مقدار بار آبی چند سانتی متر است؟
 (۱) ۶۰ (۲) ۶۹ (۳) ۷۰ (۴) ۸۰
- ۲۰۵- اگر زهکش‌ها در عمق ۱/۵ متری نصب شده و لایه نفوذناپذیر در عمق ۵/۵ متر، هدایت هیدرولیکی خاک ۱۰ متر در روز، بار آبی ۰/۶ متر، ضریب زهکش ۱۰ میلی متر در روز و محیط خیس شده زهکش ۴/۳ متر باشد، فاصله زهکش‌ها به روش ارنست چند متر است؟

$$h = \frac{qL^2}{\lambda k D} + \frac{qL}{T k} \ln \frac{aD}{U} \quad (h \text{ چند متر است؟})$$
 (۱) ۴۵ (۲) ۵۵ (۳) ۶۵ (۴) ۷۵

۲۰۶- اگر EC آب آبیاری $\frac{ds}{m}$ ۳، EC عصاره اشباع با ۲۵٪ کاهش محصول $\frac{ds}{m}$ ۷، نیاز آبی گیاه ۱۰ میلی متر در روز باشد، دبی خروجی از زهکش‌ها چند متر مکعب در روز است؟ (مساحت مزرعه ۵۰۰ هکتار می‌باشد).

- (۱) ۳۷۰۰ (۲) ۵۲۰۰ (۳) ۵۷۰۰ (۴) ۶۷۰۰

۲۰۷- اگر عمق مجاز سطح ایستابی ۱ متر، هدایت هیدرولیکی خاک ۱ متر در روز، مقدار باران ۵ روزه ۱۵۰ میلی متر، نیاز آبی گیاه ۵ میلی متر در روز مقدار FC و رطوبت اولیه خاک به ترتیب ۰/۲ و ۰/۱۵ حجمی بوده و رواناب وجود نداشته باشد، در صورتی که عمق نصب زهکش‌ها ۱/۵ متر و عمق لایه نفوذناپذیر از سطح زمین ۶/۵ متر باشد. فاصله زهکش‌ها به روش ساده شده هوخهات چند متر است؟

- (۱) ۶۵ (۲) ۶۰ (۳) ۵۵ (۴) ۴۵

۲۰۸- اگر سطح ایستابی اولیه در عمق یک متری قرار داشته و پس از آبیاری با دور ۵ روز به عمق ۰/۵ متری برسد، در صورتی که هدایت هیدرولیکی خاک ۲ متر در روز، تخلخل قابل زهکشی ۰/۱۰، عمق نصب زهکش‌ها ۱/۵ متر و عمق لایه نفوذناپذیر ۶/۵ متر باشد، فاصله زهکش‌ها به روش گلور دام چند متر است؟

$$(Ln 0/73 = -0/315 ; Ln 0/63 = -0/462 ; Ln 0/43 = -0/843 ; Ln 0/53 = -0/635)$$

- (۱) ۹۰ (۲) ۸۵ (۳) ۸۳ (۴) ۷۶

۲۰۹- در یک خاک دو لایه که ضخامت لایه‌های اول و دوم به ترتیب ۱ و ۲ متر و هدایت هیدرولیکی آنها به ترتیب ۲ و ۴ متر در روز است. اگر بر روی سطح خاک ۳۰ سانتی متر آب قرار داشته باشد، ضریب زهکش‌ها در حالت ماندگار چند مترمکعب در مترمربع در روز است؟

- (۱) ۳/۳ (۲) ۴/۵ (۳) ۵/۰ (۴) ۵/۵

۲۱۰- اگر عمق نصب زهکش‌ها ۲ متر، عمق لایه نفوذناپذیر از سطح خاک ۸ متر، هدایت هیدرولیکی خاک ۱ متر در روز، مقدار فرونشست عمقی در اثر هر آبیاری ۵۰ میلی متر، دور آبیاری ۱۰ روز و حداقل عمق سطح ایستابی ۱ متر باشد. فاصله زهکش‌ها به روش دونان چند متر است؟

- (۱) ۸۵ (۲) ۹۰ (۳) ۱۰۲ (۴) ۱۱۰

مکانیک خاک

۲۱۱- یک نمونه خاک ماسه‌ای در آزمایش سه محوری مورد آزمایش قرار گرفته است و تحت $\sigma_1 = 3/0 \frac{kg}{cm^2}$ و $\sigma_3 = 1 \frac{kg}{cm^2}$ به مرحله گسیختگی رسیده است. ضرایب اکتیو (K_a) و پسیو (K_p) این خاک عبارتند از:

$$(1) k_p = 2, k_a = 0/2 \quad (2) k_p = 3, k_a = 0/3 \quad (3) k_p = 0/5, k_a = 2 \quad (4) k_p = 0/3, k_a = 3$$

۲۱۲- در یک آزمایش سه محوری بر روی نمونه خاک، تنش انحرافی ۳۰ کیلوپاسکال و زاویه اصطکاک داخلی خاک ۲۸ درجه می‌باشد. تنش برشی ایجاد شده در صفحه شکست چند kPa است؟

- (۱) ۱۳/۲ (۲) ۱۴/۱ (۳) ۱۶ (۴) با اطلاعات موجود نمی‌توان تعیین کرد.

۲۱۳- یک شیب با طول زیاد و با سطح ثابت که با امتداد افق زاویه β می‌سازد و از خاک ماسه‌ای با زاویه اصطکاک داخلی ϕ تشکیل شده است در نظر بگیرید. اگر در اثر بارندگی تراوش آب در سطح شیب در حال انجام باشد، ضریب اطمینان پایداری شیب از کدام رابطه محاسبه می‌شود؟

$$(1) F_s \approx 0/5 \frac{\tan \phi'}{\tan \beta} \quad (2) F_s \approx 2 \frac{\tan \phi'}{\tan \beta} \quad (3) F_s \approx 2 \frac{\tan \beta}{\tan \phi'} \quad (4) F_s \approx 0/5 \frac{\tan \beta}{\tan \phi'}$$

۲۱۴- ضریب B فشار آب منفذی خاک‌های رسی (رابطه اسکمپتون) با افزایش درجه اشباع
(۱) افزایش می‌یابد.
(۲) کاهش می‌یابد.
(۳) تغییر نمی‌نماید.
(۴) با درجه بیش تحکیمی کاهش می‌یابد.

۲۱۵- در یک گود برداری قائم در خاک رس ($\phi = 0$)، هنگامی که عمق گود به ۸ متر می‌رسد دیواره گود در امتداد یک صفحه

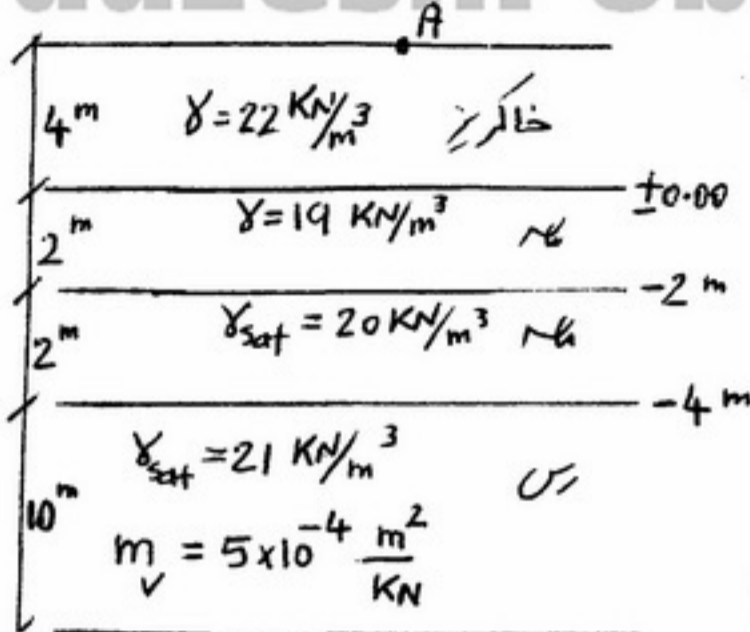
$$45 \text{ درجه لغزش می‌کند. اگر وزن مخصوص خاک } \gamma = 20 \frac{kN}{m^3} \text{ باشد چسبندگی خاک بر حسب } \frac{kN}{m^2} \text{ چقدر می‌باشد؟}$$

- (۱) ۲۰ (۲) ۴۰ (۳) ۶۰ (۴) ۸۰

۲۱۶- نمونه‌ای از رس اشباع در آزمایش تحکیم تحت بارگذاری ۲۰۰ kPa قرار می‌گیرد. پس از گذشت ۸ ساعت، فشار آب منفذی متوسط در نمونه ۷۰ kPa اندازه‌گیری شده است. در صد تحکیم این نمونه پس از گذشت ۸ ساعت چند است؟

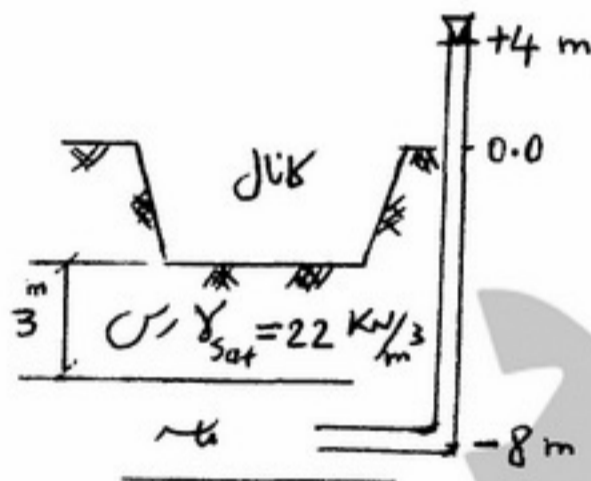
- (۱) ۲۵ (۲) ۴۰ (۳) ۴۲ (۴) ۶۰

۲۱۷- چنانچه سطح آب زیرزمینی در محلی از تراز صفر به تراز ۲ m - کاهش یابد تغییر مکان نقطه A روی سطح خاکریز متراکم ناشی از نشست تحکیمی لایه رسی چند cm است؟



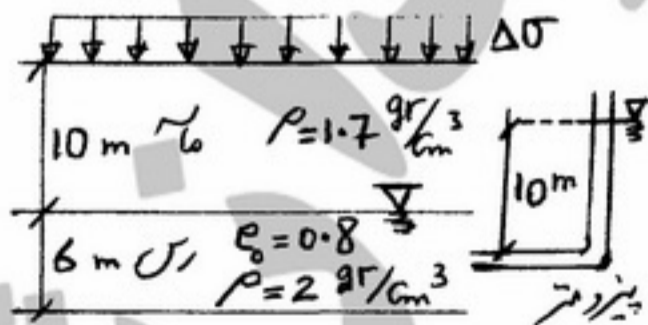
- (۱) ۳۸
- (۲) ۲۰
- (۳) ۱۹
- (۴) ۹

۲۱۸- یک کانال آب در یک لایه رسی مطابق شکل احداث شده است. اگر ارتفاع پیزومتریک در لایه ماسه زیر لایه رسی ۴ متر بالاتر از سطح زمین باشد، آیا در کوتاه مدت احتمال بلند شدن کف کانال به ضخامت ۳ متر وجود دارد و در این حالت ضریب اطمینان علیه بلند شدگی چقدر است؟



- (۱) بله ۰/۵
- (۲) بله ۰/۹
- (۳) خیر ۱
- (۴) خیر ۱/۲

۲۱۹- در اثر بارگذاری وسیع روی سطح خاک، ارتفاع پیزومتر در مرکز یک لایه رس مطابق شکل به ۱۰ متر می‌رسد. پس از ۴ سال سطح زمین ۵۰ سانتیمتر نشست کرده و ارتفاع پیزومتر به ۵ متر می‌رسد. تخلخل (e) و تنش مؤثر متناظر در این زمان در مرکز لایه رس به ترتیب چقدر خواهند بود؟



- (۱) ۱۷۰ kPa , ۰/۶۸
- (۲) ۲۵۰ kPa , ۰/۶۸
- (۳) ۲۰۰ kPa , ۰/۸
- (۴) ۲۵۰ kPa , ۰/۸

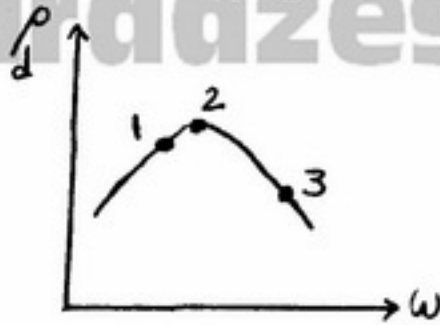
۲۲۰- اگر بر سطح یک خاک ریز دانه اشباع مثل رس تنش جدید وارد شود بلافاصله:

- (۱) فشار آب حفره‌ای زیاد و تنش مؤثر کم می‌شود.
- (۲) فشار آب حفره‌ای کم و تنش مؤثر کم می‌شود.
- (۳) فشار آب حفره‌ای زیاد و تنش مؤثر تغییر نمی‌کند.
- (۴) فشار آب حفره‌ای کم و تنش مؤثر زیاد می‌شود.

۲۲۱- درصد هوای یک نمونه خاک که درصد اشباع آن ۶۰ است محتملاً چقدر است؟

- (۱) کمتر از ۴۰
- (۲) برابر ۴۰
- (۳) بیشتر از ۴۰ و کمتر از ۶۰
- (۴) برابر ۶۰

۲۲۲- منحنی تراکم خاکی در آزمایشگاه مطابق شکل است. در مورد نسبت تخلخل (e) در نقاط ۱، ۲ و ۳ می توان گفت:



- (۱) $e_1 > e_2 > e_3$
- (۲) $e_2 > e_1 > e_3$
- (۳) $e_2 > e_3 > e_1$
- (۴) $e_2 = e_1 > e_3$

۲۲۳- برای هسته های مرکزی سدهای خاکی، مقاومت برشی و نفوذ پذیری و انعطاف پذیری از عوامل مهم هستند. چه نوع مصالحی همه عوامل را تأمین می کند؟

- (۱) CH
- (۲) SC
- (۳) GC
- (۴) CL

۲۲۴- جرم یک نمونه خاک اگر خشک شود ۶۰ گرم خواهد شد. اگر رطوبت آن به ۵۰ درصد برسد به فرض اینکه رطوبت حد انقباض آن ۱۰ درصد باشد حجم نمونه حدوداً چند سانتی متر مکعب افزایش می یابد (جرم حجمی آب را ۱ گرم بر سانتی متر مکعب در نظر بگیرید)؟

- (۱) صفر
- (۲) ۲۰
- (۳) ۲۴
- (۴) ۲۵

۲۲۵- یک نمونه خاک رس با رطوبت اولیه ۳۵ درصد و نسبت تخلخل اولیه $e_0 = 0.9$ تحکیم داده می شود. وزن مخصوص آن در خاتمه عمل تحکیم که تخلخل آن به $e = 0.5$ می رسد چه تغییری می کند؟

- (۱) ۱۲ درصد افزایش می یابد.
- (۲) ۴۴ درصد افزایش می یابد.
- (۳) بدون داشتن G_s نمی توان اظهار نظر کرد.
- (۴) تغییر نمی کند.

۲۲۶- درصد رد شده خاکی از الک نمره ۲۰۰ برابر ۴۷ و مقدار ماسه ۲۴ درصد کل خاک را تشکیل می دهد. بهترین نام این خاک در طبقه بندی متحده چیست؟

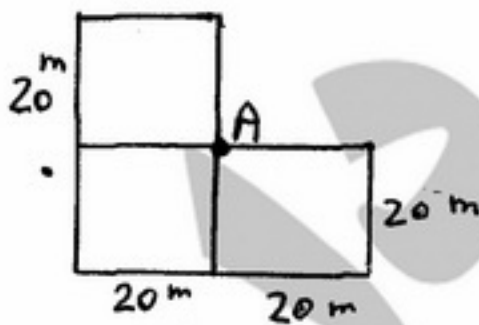
- (۱) GW
- (۲) GM
- (۳) SM
- (۴) GP-GM

۲۲۷- جرم مخصوص خاکی در حالت طبیعی $\frac{gr}{cm^3}$ ۱.۸ است. اگر رطوبت خاک $\frac{1}{5}$ برابر رطوبت اولیه شود جرم مخصوص آن

$\frac{gr}{cm^3}$ بدست می آید. درصد رطوبت اولیه خاک تقریباً برابر است با:

- (۱) ۱۰
- (۲) ۲۰
- (۳) ۲۵
- (۴) ۳۰

۲۲۸- سه پی مربعی یکسان $20m \times 20m$ مطابق شکل کنار هم و بدون فاصله قرار گرفته اند و هر سه فشار یکنواخت ۵۰ کیلو پاسکال را به خاک وارد می کنند. اضافه تنش قائم در عمق یک متری زیر نقطه A چند کیلو پاسکال است؟

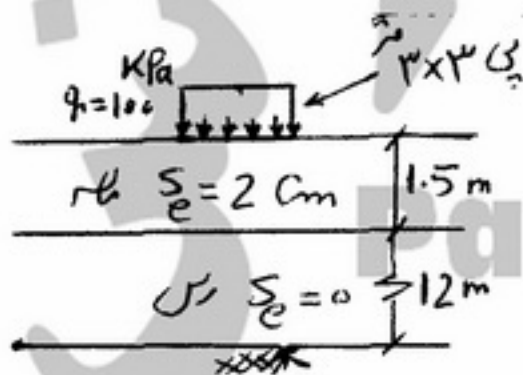


- (۱) ۳۷/۵
- (۲) ۷۵
- (۳) ۱۰۰
- (۴) ۱۵۰

۲۲۹- یک پی مربعی $3m \times 3m$ تحت بار قائم $100kPa$ در مرکز باعث نشست الاستیک $S_e = 2cm$ در لایه ماسه و نشست

تحکیمی معادل $2cm$ در لایه رسی اشباع بعد از یک سال می گردد. در صورتیکه نشست نهایی تحکیمی لایه رسی اشباع $S_e = 10cm$ باشد مقدار کل نشست کل پی بعد از ۴ سال چند سانتیمتر است (درصد تحکیم لایه رسی طی ۵ سال کمتر از

۶۰٪ است)؟



- (۱) ۳
- (۲) ۶
- (۳) ۹
- (۴) ۱۲

۲۳۰- یک لایه خاک رس اشباع به ضخامت ۸ m دارای تخلخل اولیه $e_0 = 0.8$ می باشد در اثر اعمال یک بار گسترده یکنواخت به روی این خاک ۱ متر نشست تحکیمی رخ داده است. اگر $m_v = 0.005 \frac{1}{kPa}$ باشد درجه تخلخل خاک در پایان تحکیم و بار گسترده وارد بر این لایه رسی حدوداً چند kPa می باشد؟

- (۱) ۱۰۰ kPa , ۰/۵۴۵ (۲) ۱۰۰ kPa , ۰/۲۵۵ (۳) ۲۵ kPa , ۰/۲۵۵ (۴) ۲۵ kPa , ۰/۵۴۵

۲۳۱- در یک آزمایش تحکیم بر روی نمونه رس، در فشار ۵۰ kPa مقدار نسبت تخلخل $e = 1/1$ و در فشار ۵۰۰ kPa مقدار $e = 0.8$ بدست آمده است، مقدار نشانه فشردگی e_c برای این خاک حدوداً برابر است با:

- (۱) ۰/۰۵۳ (۲) ۳/۲ (۳) ۰/۳ (۴) ۰/۰۳

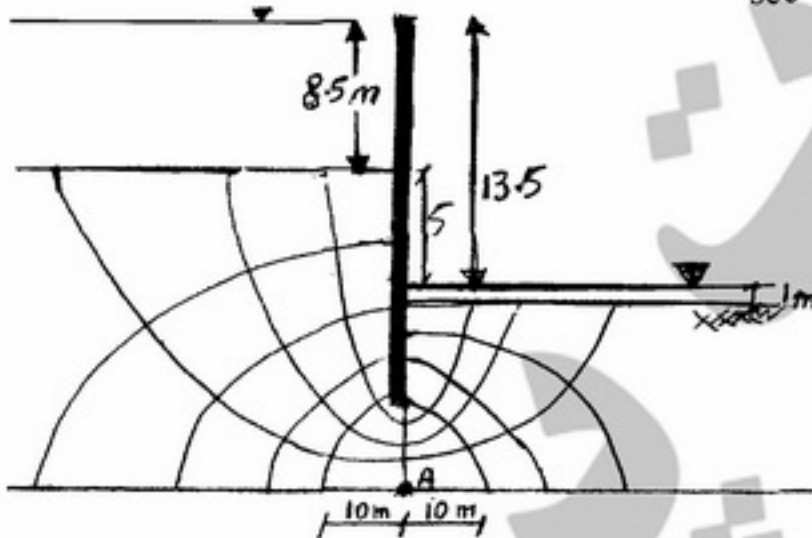
۲۳۲- در یک آزمایش تحکیم بر روی نمونه خاک ریزدانه، مقدار ضریب تحکیم $\frac{m^2}{sec}$ 8×10^{-8} و ضریب تغییر حجم

$m_v = 0.005 \frac{m^2}{kN}$ تعیین شده است. ضریب نفوذپذیری این خاک بر حسب $\frac{m}{sec}$ برابر است با: $\gamma_w = \frac{10 kN}{m^3}$

- (۱) 10^{-8} (۲) 8×10^{-8} (۳) 5×10^{-8} (۴) 4×10^{-8}

۲۳۳- شبکه جریان از زیر یک پرده سپر مطابق شکل می باشد. اگر ضریب نفوذپذیری خاک برابر $k = 5 \times 10^{-7} \frac{m}{sec}$ و درصد پوکی

(n) برابر ۵۰ باشد، سرعت جریان آب در نقطه A چند $\frac{cm}{sec}$ خواهد بود؟

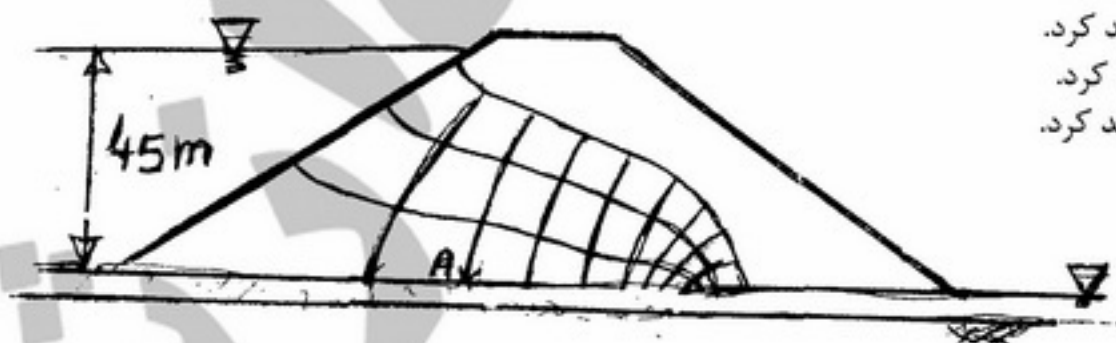


- (۱) ۰/۱ (۲) ۰/۲ (۳) ۰/۵ (۴) ۰/۱۴

۲۳۴- در یک سد همگن مطابق شکل، فشار آب در نقطه A بر حسب kPa چقدر است و اگر نفوذپذیری مصالح سد همگن افزایش

یابد فشار آب در نقطه A چگونه تغییر خواهد کرد؟ $\gamma_w = \frac{10 kN}{m^3}$

- (۱) ۴۰۵ kPa ، افزایش می یابد. (۲) ۴۵۰ kPa ، تغییر نخواهد کرد. (۳) ۴۰۰ kPa ، تغییر نخواهد کرد. (۴) ۲۵۰ kPa ، تغییر نخواهد کرد.

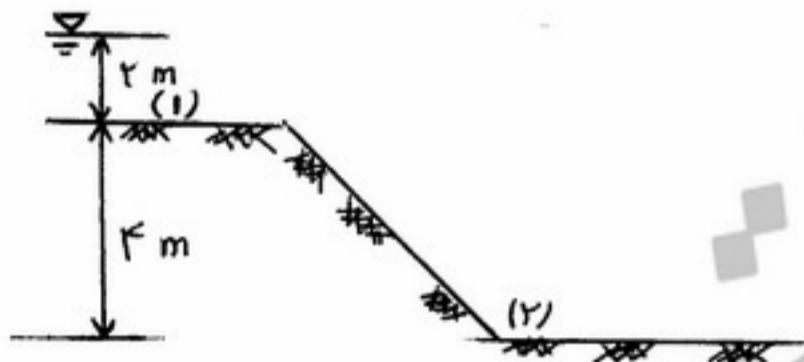


- ۲۳۵- دو نمونه خاک ماسه‌ای با دانه‌های نسبتاً کروی در نظر بگیرید برای خاک اول $D_{10} = 0.2$ سانتی متر برای خاک دوم $D_{10} = 0.4$ سانتی متر است. در مورد نفوذپذیری این دو خاک می‌توان گفت:
- (۱) نفوذپذیری خاک اول حدوداً ۵ برابر خاک دوم است.
 - (۲) نفوذپذیری دو خاک برابر بوده و حجم فضای خالی هر دو خاک تقریباً برابر است.
 - (۳) نفوذپذیری خاک اول حدوداً ۲۵ برابر خاک دوم است.
 - (۴) نفوذپذیری خاک دوم حدوداً ۲۵ برابر خاک اول است.

ساختمان‌های انتقال و توزیع آب

- ۲۳۶- در تبدیل‌های استاندارد ارائه شده توسط دفتر فنی عمران آمریکا (USBR)، برای اتصال مقطع دوزنقه به دایره و بالعکس عرض تبدیل در محل اتصال به کانال‌های بالادست و پایین دست تابعی از و می‌باشد.
- (۱) زاویه انحراف سطح آب - قطر لوله
 - (۲) عمق آب در کانال - قطر لوله
 - (۳) زاویه انحراف سطح آب - عمق آب در کانال
 - (۴) زاویه انحراف سطح آب - نسبت قطر لوله به عمق آب در کانال
- ۲۳۷- با فرض ناچیز بودن افت بار، در صورتی که عمق پایاب هیچ‌گونه اثری بر جریان ورودی به حوضچه نداشته باشد، سرعت آب در

نقطه ۲ تقریباً چند متر بر ثانیه است؟ $(g = 10 \frac{m}{s^2})$

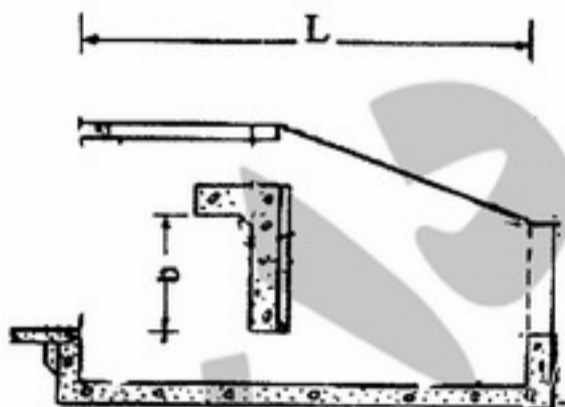


- (۱) $\sqrt{40}$
- (۲) $\sqrt{80}$
- (۳) $\sqrt{100}$
- (۴) $\sqrt{120}$

- ۲۳۸- در طراحی کانال‌های خاکی براساس روش کندی (Kenedy) برای اینکه امکان بروز پدیده فرسایش یا رسوبگذاری وجود نداشته باشد، سرعت کانال (بر حسب متر بر ثانیه) چه رابطه‌ای با عمق آب در کانال (y) دارد؟

- (۱) $0.465y^{0.64}$
- (۲) $0.646y^{0.54}$
- (۳) $0.546y^{0.64}$
- (۴) $0.646y^{0.64}$

- ۲۳۹- حداقل ارتفاع دیواره قائم بتنی (b) خروجی مانع‌دار (Buff led outlet) برای استهلاک انرژی در شیب شکن لوله‌ای نوع دوم (Type 2 pipe drop) چقدر در نظر گرفته می‌شود؟



- (۱) $\frac{1}{4} L$ طول حوضچه خروجی مانع‌دار $(\frac{1}{4} L)$
- (۲) $\frac{1}{3} L$ طول حوضچه خروجی مانع‌دار $(\frac{1}{3} L)$
- (۳) برابر با قطر لوله (D)
- (۴) $1/5$ برابر قطر لوله $(1/5 D)$

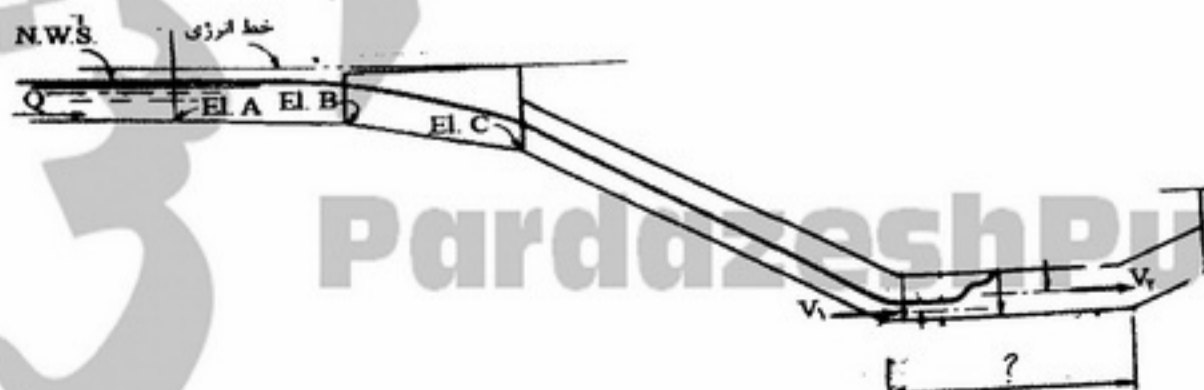
- ۲۴۰- براساس توصیه USBR، ضخامت پوشش بتنی کانال‌های آبیاری به چه عواملی بستگی دارد؟

- (۱) دبی کانال و شیب جانبی کانال
- (۲) شیب جانبی و شیب طولی کانال
- (۳) نوع بتن و شیب جانبی کانال
- (۴) نوع بتن و دبی کانال

- ۲۴۱- ارتفاع آزاد کانال (Free board) در بالادست سیفون وارونه (Inverted siphon) باید به اندازه و حداکثر ۳۰ سانتی‌متر افزایش یابد تا از آب شکستگی در این قسمت جلوگیری شود. این افزایش حداقل سانتی‌متر در طول کانال بالادست اعمال می‌شود.

- (۱) ۲۰ درصد، ۲۰۰۰
- (۲) ۲۵ درصد، ۱۵۰۰
- (۳) ۳۰ درصد، ۳۰۰
- (۴) ۵۰ درصد، ۱۵۰۰

- ۲۴۲- نسبت مناسب بین عرض کف (b) و عمق آب (d) بر حسب معیارهای طراحی در ایران کدام است؟
 (۱) $\frac{b}{d} = 1 - 3$ (۲) $\frac{b}{d} = \frac{1}{3} - 1$ (۳) $b = 2d$ (۴) $b = d$
- ۲۴۳- تفاوت بین شکاف کنترل (Control notch) و خروجی مانع دار (Baffled outlet) کدام است؟
 (۱) خروجی مانع دار برای استهلاک انرژی اضافی و شکاف کنترل برای تنظیم سطح آب می باشد.
 (۲) خروجی مانع دار برای کنترل دبی جریان در خروجی و شکاف کنترل برای کنترل دبی جریان در ورودی است.
 (۳) خروجی مانع دار همان وظیفه شکاف کنترل را برعهده دارد. لذا هیچ تفاوتی از نظر کارکرد با یکدیگر ندارند.
 (۴) خروجی مانع دار برای اندازه گیری جریان و شکاف کنترل برای تنظیم جریان است.
- ۲۴۴- در یک سازه تبدیل که یک کانال دوزنقه را به یک ناو زمینی متصل می کند عمق آب در کانال ۳ متر، شیب جانبی کانال ۱:۱/۵ (در جهت افق)، عرض کف کانال ۲/۵ متر، عرض کف ناو ۳ متر و طول تبدیل ۵ متر می باشد. تانژانت زاویه انحراف سطح آب در این سازه کدام است؟
 (۱) ۰/۶ (۲) ۰/۸ (۳) ۰/۸۵ (۴) ۱/۱۵
- ۲۴۵- حداقل قطر لوله آبگیر (Turnout) برابر با فوت است و در صورت نیاز به نصب لوله هوادهی (Air vent)، محل آن در می باشد.
 (۱) ۱، در ابتدای لوله آبگیر (۲) ۱/۵، ابتدای لوله در پایین دست دریچه ورودی لوله (۳) ۱/۵، در انتهای لوله خروجی در پایین دست (۴) ۲، در وسط لوله آبگیر
- ۲۴۶- سازه مجرای تخلیه (Blow off structure) در کدامیک از سازه های انتقال آب تعبیه می شود؟
 (۱) سیفون وارونه (Inverted siphon) طولانی (۲) سیفون وارونه (Inverted siphon) کوتاه (۳) شیب شکن لوله ای نوع ۱ (Type 1 pipe drop) (۴) شیب شکن لوله ای نوع ۲ (Type 2 pipe drop)
- ۲۴۷- براساس توصیه USBR، حداقل ضخامت پوشش بتنی غیر مسلح کانال های آبیاری چند میلی متر در نظر گرفته می شود؟
 (۱) ۲۵ (۲) ۳۵ (۳) ۵۰ (۴) ۷۵
- ۲۴۸- در تعیین دبی طراحی یک کانال، اگر حجم آب مورد نیاز در یک دوره یازده روزه برابر ده میلیون مترمکعب، ضریب انعطاف پذیری ۱/۱، و تعداد ساعات آبیاری در شبانه روز ۲۰ ساعت باشد دبی طراحی حدود چند مترمکعب در ثانیه است؟
 (۱) ۱۳/۵ (۲) ۱۴ (۳) ۱۳۵ (۴) ۱۴۰
- ۲۴۹- در خروجی یک شیب شکن لوله ای، عمق جریان ۰/۳ متر و دبی خروجی ۰/۹ مترمکعب در ثانیه است. اگر $g = 10 \frac{m}{s^2}$ باشد اختلاف سطح آب در طرفین شیب شکن چند متر است؟
 (۱) ۲/۲ (۲) ۳/۲ (۳) ۴/۰ (۴) ۵/۰
- ۲۵۰- دلیل استقبال گسترده از دریچه های نریبیک در ایران کدام می باشد؟
 (۱) راحتی کاربرد و سهولت امکان اخذ دبی های متفاوت
 (۲) راحتی کاربرد - ارزان بودن نسبی - اندازه گیری دقیق جریان
 (۳) اندازه گیری دقیق جریان بدون نیاز به سازه اندازه گیری اضافه
 (۴) راحتی کاربرد - سهولت امکان اخذ دبی های متفاوت - اندازه گیری دقیق جریان - ارزان بودن نسبی
- ۲۵۱- در صورت یکسان بودن مقدار Δh_p ، مقدار افت بار در کدام حالت بیشترین و در کدام حالت کمترین است؟
 (۱) تبدیل خروجی دایره به دوزنقه اگر زاویه انحراف سطح آب ۲۵ درجه باشد - تبدیل ورودی دوزنقه به مستطیل
 (۲) تبدیل خروجی دایره به دوزنقه اگر زاویه انحراف سطح آب ۲۲/۵ درجه باشد - تبدیل ورودی دوزنقه به دایره
 (۳) تبدیل خروجی دایره به دوزنقه اگر زاویه انحراف سطح آب ۲۷/۵ باشد - تبدیل ورودی دوزنقه به مستطیل
 (۴) تبدیل خروجی مستطیل به دوزنقه - تبدیل ورودی دوزنقه به مستطیل
- ۲۵۲- در یک شیب شکن لوله ای نوع اول (type 1 pipe drop) با قطر ۰/۵ متر و با تبدیل بتنی در قسمت خروجی، رقوم خط انرژی آب در بالادست شیب شکن ۱۵۰۰ متر و ارتفاع خط انرژی نسبت به کف در مقطع اولیه پرش در لوله، ۵ متر می باشد. در این حالت رقوم کف لوله افقی متر و طول قسمت افقی لوله حداقل متر در نظر گرفته می شود.
 (۱) ۲، ۱۴۹۴/۵
 (۲) ۲، ۱۴۹۵/۵
 (۳) ۲/۵، ۱۴۹۵/۵
 (۴) ۲/۵، ۱۴۹۵



۲۵۳- براساس توصیه USBR برای دبی های تا چند مترمکعب در ثانیه استفاده از کالورت یا گذرگاه جاده (Road crossing) نسبت به احداث پل بر روی کانال آبیاری اقتصادی تر است؟

- (۱) ۳ (۲) ۷ (۳) ۱۰ (۴) ۱۵

۲۵۴- در یک حوضچه آرایش تیپ III استاندارد USBR، سرعت ورودی ۱۵ متر بر ثانیه و عمق جریان ۰/۹ متر است. در صورتی که

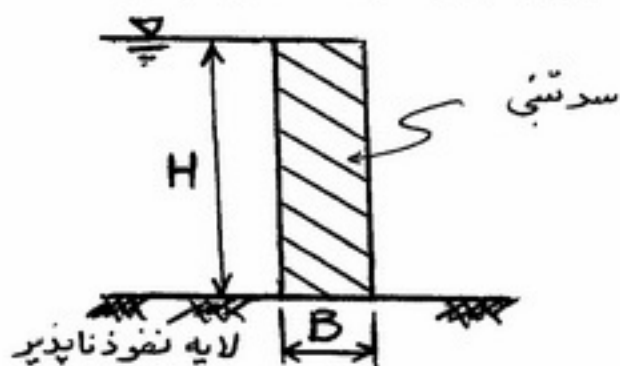
ارتفاع بلوک های میانی از رابطه $h_p = \frac{y_1}{6}(4 + Fr)$ محاسبه شود ارتفاع بلوک های میانی متر و عرض بلوک های پرتاب کننده متر می باشند.

- (۱) ۰/۹ و ۰/۰۹ (۲) ۱/۳۵ و ۰/۹ (۳) ۱/۳۵ و ۱/۳۵ (۴) ۱/۵ و ۰/۹

۲۵۵- در شکل زیر در صورتی که ضریب اصطکاک استاتیکی بین کف بتنی سد و مصالح بستر ۰/۶ و وزن مخصوص بتن و آب به

ترتیب ۲/۴ و ۱ تن بر مترمکعب باشند نسبت $\frac{B}{H}$ چقدر باشد تا سد بتنی در برابر لغزش با ضریب اطمینان ۱ پایدار باشد؟

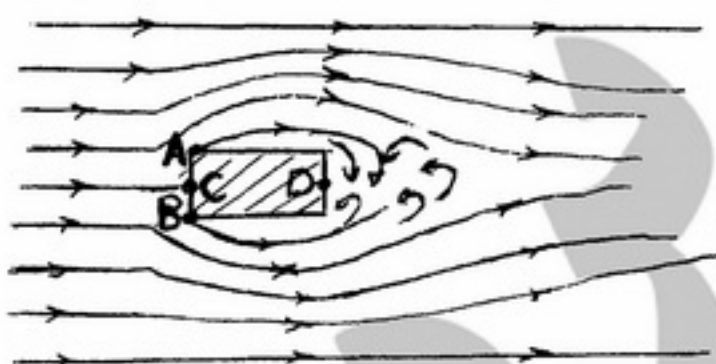
- (۱) ۰/۳۵ (۲) ۰/۶۹ (۳) ۱/۳۹ (۴) ۲/۸۸



۲۵۶- در شرایط تشابه دینامیکی اگر $Lr = \frac{Lp}{Lm}$ معادل ۵۰ باشد، اگر سرعت اندازه گیری شده در مدل معادل ۰/۲ متر در ثانیه باشد در اینصورت سرعت واقعی چند متر بر ثانیه است؟

- (۱) ۱/۰ (۲) ۱/۴ (۳) ۷/۱ (۴) ۱۰/۰

۲۵۷- شکل زیر عبور جریان از اطراف یک پایه پل روی سد انحرافی را نشان می دهد. منظور از stagnation point کدام نقطه یا نقاط می باشد؟



- (۱) نقاط A و B (۲) نقطه C (۳) نقطه D (۴) نقاط A و B و C

۲۵۸- رابطه تقریبی بین دبی واحد عرض جریان با عمق آب پایین دست حوضچه آرامش $q = 0.17y_p^{3/2}$ و رابطه تقریبی آن با عمق

مزدوج $q = 0.15y_p^{3/2}$ می باشد. کدام گزینه صحیح است؟

- (۱) در هر شرایط جریان پرش به پایین دست منتقل می شود.
 (۲) در هر شرایط جریان پرش مستغرق اتفاق می افتد.
 (۳) تا یک دبی معین پرش مستغرق و سپس به پایین دست منتقل می شود.
 (۴) تا یک دبی معین پرش به پایین دست منقل شده و پس از آن مستغرق می گردد.

۲۵۹- دبی طراحی یک سد انحرافی ۲۵۰ مترمکعب بر ثانیه است. مناسب ترین طول سرریز براساس تئوری رژیم حدود چند متر است؟

- (۱) ۱۷۰ (۲) ۲۵۵ (۳) ۲۴۰ (۴) ۳۴۰

۲۶۰- مناسب ترین سرعت جریان در حوضچه رسوبگر کانال های آبیاری است.

(۱) کمتر از ۰/۲ متر بر ثانیه است.

(۲) معادل ۰/۲ تا ۰/۳ متر بر ثانیه است.

(۳) معادل ۰/۵ تا ۰/۸ متر بر ثانیه است.

(۴) بستگی به اندازه ذرات دارد ولی معمولاً از ۰/۴ متر بر ثانیه بیشتر می باشد.

۲۶۱- کدام یک از عبارات زیر در مورد R^2 صحیح است؟
 (۱) برابر MS رگرسیون به MS خطای آزمایشی است.
 (۲) برابر SS رگرسیون به SS خطای آزمایشی است.
 (۳) نسبتی از تغییرات کل که توسط متغیر تابع ایجاد می شود را نشان می دهد.
 (۴) نسبتی از تغییرات کل که توسط متغیر مستقل ایجاد می شود را نشان می دهد.

۲۶۲- ضریب همبستگی عبارت است از:
 (۱) کوواریانس استاندارد شده
 (۲) ضریب تشخیص استاندارد شده
 (۳) ضریب رگرسیون استاندارد شده
 (۴) ضریب تغییرات استاندارد شده

۲۶۳- در یک خانواده با چهار فرزند احتمال داشتن حداقل یک دختر و یک پسر برابر است با:
 (۱) $\frac{3}{8}$ (۲) $\frac{5}{8}$ (۳) $\frac{7}{8}$ (۴) $\frac{15}{16}$
 ۲۶۴- در توزیع پواسن چند پارامتر برآورد می شود؟
 (۱) صفر (۲) ۱ (۳) ۲ (۴) ۳

۲۶۵- در بررسی تفاوت میانگین دو جامعه در مورد یک صفت مشخص اطلاعات زیر به دست آمده است:
 تعداد نمونه میانگین نمونه
 جامعه A ۵ ۱۵
 جامعه B ۱۰ ۱۹

مقدار t محاسبه شده $= 3/5$ و t جدول $\left. \begin{matrix} 0/001 & 0/01 & 0/05 \\ 4/3 & 3/0 & 2/1 \end{matrix} \right\}$ با توجه با اطلاعات داده شده کدام گزینه صحیح است؟
 (۱) تفاوت میانگین دو جامعه معنی دار نیست.
 (۲) تفاوت میانگین دو جامعه در سطح ۵٪ معنی دار است.
 (۳) تفاوت میانگین دو جامعه در سطح ۱٪ معنی دار است.
 (۴) تفاوت میانگین دو جامعه با اطمینان ۹۹٪ درصد معنی دار است.

۲۶۶- با فرض $m = 10$ ، مقدار عددی رابطه $\sum_{i=1}^3 X_i^2 - \sum_{i=1}^3 (X_i - fm)(X_i + m)$ برابر است با:
 (۱) ۱۶۰۰ (۲) ۱۶۸۰ (۳) ۲۱۰۰ (۴) ۲۴۰۰

۲۶۷- در رابطه با استفاده از آزمون χ^2 در مورد داده های یک جدول توافق نشان دهنده زنان و مردان مبتلا یا غیرمبتلا به یک بیماری اطلاعات زیر ارائه گردیده است:
 χ^2 محاسبه شده $6/8$ و χ^2 جدول

| | | |
|------|------|-------|
| 0/05 | 0/01 | 0/001 |
| 3/8 | 6/6 | 10/8 |

بر اساس اطلاعات فوق کدام گزینه را صحیح است؟

- (۱) میزان ابتلاء در زنان بیشتر از مردان بوده است.
- (۲) بین زنان و مردان از نظر میزان ابتلاء تفاوتی وجود ندارد.
- (۳) با ۹۹٪ اطمینان میزان ابتلاء در زنان و مردان متفاوت است.
- (۴) با اطمینان ۹۵٪ زنان و مردان از نظر میزان ابتلاء متفاوت هستند.

۲۶۸- با استفاده از روابط: (۱) ترتیب $P_n^r = n(n-1)...(n-r+1)$ ترکیب $C_n^r = \frac{n!}{r!(n-r)!}$ برای تعداد ترکیب و ترتیب ۳

تایی از ۵ حرف A, B, C, D, E کدام گزینه صحیح است؟

- (۱) تعداد ترتیب ۴۲ و تعداد ترکیب ۸
- (۲) تعداد ترتیب ۴۲ و تعداد ترکیب ۱۲
- (۳) تعداد ترتیب ۴۸ و تعداد ترکیب ۱۰
- (۴) تعداد ترتیب ۶۰ و تعداد ترکیب ۱۰

۲۶۹- اگر $\sum_{i=1}^3 X_i = -3$ ، $\sum_{i=1}^3 Y_i = 7$ و $\sum_{i=1}^3 X_i Y_i = 5$ باشد مقدار عددی $\sum_{i=1}^3 (X_i + 2)(Y_i - 3)$ برابر است با:
 (۱) ۸ (۲) ۱۰ (۳) ۱۲ (۴) ۱۵

۲۷۰- در رگرسیون دو متغیره ضریب تشخیص برابر است با:

- (۱) مجذور ضریب همبستگی
- (۲) مجذور ضریب رگرسیون
- (۳) مجذور مقدار متغیر ثابت
- (۴) حاصل ضرب ضرایب رگرسیون در ضریب همبستگی

۲۷۱- ۶ سکه را پرتاب می‌کنیم با توجه به اطلاعات جدول توزیع تراکمی دو جمله‌ای کدام مورد زیر برای احتمال وقوع ۲ $P(x=2)$ شیر صادق است؟

(۱) $P(x \geq 4) - P(x \leq 1)$
 (۲) $P(x \leq 4) - P(x \leq 2)$
 (۳) $P(x \leq 2) - P(x \leq 3)$
 (۴) $P(x \leq 1) - P(x \leq 3)$

۲۷۲- در یک کیسه ۱۰ مهره شماره‌گذاری شده ۱ تا ۱۰ وجود دارد ۲ مهره به طور متوالی خارج می‌گردد با چه احتمالی یکی ۲ و دیگری ۵ است؟

(۱) $\frac{1}{90}$ (۲) $\frac{2}{45}$ (۳) $\frac{1}{45}$ (۴) $\frac{2}{9}$

۲۷۳- در مقایسه میانگین دو نمونه تصادفی بوسیله آزمون t کدام مورد زیر صحیح است؟

- (۱) دقت آزمون t به صورت جفت نشده همواره بیشتر از حالت جفت شده است.
- (۲) دقت آزمون t به صورت جفت شده همواره بیشتر از حالت جفت نشده است.
- (۳) میزان درجه آزادی معیار مقایسه در حالت جفت شده بیشتر از حالت جفت نشده است.
- (۴) میزان دقت آزمون t به صورت جفت نشده یا جفت شده بستگی به شرایط آزمایش دارد.

۲۷۴- سطح اطمینان آماری (α) عبارتست از:

- (۱) حداکثر ریسک اشتباه نوع دوم
- (۲) حداکثر ریسک اشتباه نوع اول
- (۳) حداقل ریسک اشتباه نوع دوم
- (۴) حداقل ریسک اشتباه نوع اول

۲۷۵- برآوردی نارایب است که:

- (۱) میانگین آن برابر صفر است.
- (۲) بیشترین واریانس را دارد.
- (۳) واریانس آن همیشه ثابت است.
- (۴) میانگین آن برابر مقدار پارامتر است.

۲۷۶- اگر در یک مدل رگرسیونی $\sum (Y_i - \hat{Y}_i)^2 = \sum (Y_i - \bar{Y})^2$ باشد. آنگاه ضریب همبستگی برابر است با:

(۱) صفر (۲) ۱ (۳) $0 < r < 1$ (۴) $-1 < r < 0$

۲۷۷- توزیع مشاهدات نادر کدام است؟

(۱) نرمال (۲) پواسن (۳) F (۴) t

۲۷۸- برای اندازه‌گیری میانگین سرعت یک اتومبیل که فواصل معینی را با سرعت‌های مختلف طی می‌کند، کدام میانگین مناسب برای محاسبه است؟

- (۱) هندسی
- (۲) حسابی
- (۳) هارمونیک
- (۴) حسابی با استفاده از میانگین فرضی

۲۷۹- احتمال کشیدن یک توپ قرمز در اولین استخراج و کشیدن توپ سفید در دومین استخراج (بدون جایگذاری اولین توپ استخراج شده) از کیسه حاوی ۵ توپ سفید و ۸ توپ قرمز کدام است؟

(۱) $\frac{10}{39}$ (۲) $\frac{12}{39}$ (۳) $\frac{14}{39}$ (۴) $\frac{14}{45}$

۲۸۰- چنانچه $Z = X - Y$ باشد واریانس Z کدام است؟

- (۱) تفاوت واریانس X و Y منهای دو برابر کواریانس آنها
- (۲) مجموع واریانس‌های X و Y منهای دو برابر کواریانس آنها
- (۳) تفاوت واریانس X و Y به اضافه دو برابر کواریانس آنها
- (۴) مجموع واریانس‌های X و Y به اضافه دو برابر کواریانس آنها

۲۸۱- برای محاسبه واریانس کدام رابطه صحیح است؟

(۱) $\sigma^2 = \frac{C^2}{N^2} \{N \sum d_i^2 - \frac{\sum d_i}{N}\}$
 (۲) $\sigma^2 = \frac{C^2}{N} \{N \sum d_i^2 - (\sum d_i)^2\}$
 (۳) $\sigma^2 = \frac{C^2}{N^2} \{N \sum d_i^2 - \sum d_i\}$
 (۴) $\sigma^2 = \frac{C^2}{N} \{\sum d_i^2 f_i - \frac{(\sum d_i f_i)^2}{N}\}$

۲۸۲- چنانچه شیب خط رگرسیون برابر یک باشد. کدام مورد الزاماً صحیح است؟

- (۱) تمام نقاط روی خط واقع می‌شوند.
- (۲) تمام نقاط به فاصله مساوی از خط قرار می‌گیرند.
- (۳) نیمی از نقاط بالای خط و نیم دیگر پایین خط رگرسیون خواهند بود.
- (۴) هیچ کدام

۲۸۳- سکه‌ای ۴ بار پرتاب می‌شود واریانس تعداد شیر کدام است؟

(۱) $\frac{1}{8}$ (۲) $\frac{1}{4}$ (۳) $\frac{1}{2}$ (۴) ۱

۲۸۴- در جدول زیر مناسب ترین میانگین فرضی کدام است؟

| | | | | | |
|----|----|----|---|---|---------|
| ۱۵ | ۱۳ | ۱۱ | ۹ | ۷ | X_i |
| ۲ | ۳ | ۵ | ۳ | ۲ | فراوانی |

۱۳ (۴)

۱۱ (۳)

۹ (۲)

۷ (۱)

۲۸۵- اگر در نمودار پراکنش، بیشتر نقاط بر روی خط رگرسیون واقع شوند ضریب تبیین یا R^2 کدام است؟
 (۱) حدود صفر (۲) نزدیک به یک (۳) خیلی کمتر از یک (۴) بیشتر از یک

۲۸۶-

بر اساس تبصره ۱ ماده ۱۸ قوانین و مقررات عمومی آب حبابه چیست؟

- ۱) حق قانونی کاربران آب است مطابق اسناد مالکیت قابل خرید و فروش و نقل و انتقال بوده و حتی ارثی قابل انتقال است.
- ۲) حق مصرف آبی است که کاربران و مالکان و کشاورزان و اکوسیستم بر اساس قانون می‌توانند از منابع آب بهره‌برداری نمایند.
- ۳) حق مصرف آبی است که در دفاتر جزء جمع قدیم یا اسناد مالکیت یا حکم دادگاه یا مدارک قانونی دیگر قبل از تصویب این قانون برای ملک یا مالک آن تعیین شده باشد.
- ۴) حق استفاده از آبی است که از قدیم در رودخانه جریان داشته و کاربران برای تأمین نیازهای خود از قبل از آنها استفاده می‌کرده‌اند.

۲۸۷-

کدام عوامل در مدیریت منابع آب نقش در ایجاد ظرفیت دارند؟

- ۱) سازمان‌های دولتی، وزارتخانه‌ها، سازمان‌های منطقه‌ای
- ۲) سازمان‌های دولتی، سازمان مدیریت منابع آب، شرکت تهاب
- ۳) سازمان‌های دولتی، سازمان‌های حمایت‌کننده خارجی، بانک توسعه اسلامی
- ۴) سازمان‌های دولتی، سازمان‌های حمایت‌کننده خارجی، بانک توسعه اسلامی

۲۸۸-

رئوس توسعه منابع آب برای متخصصان محیط زیست کدامند؟

- ۱) آلودگی، اثرات روی محل سکونت، ریزگردها و طوفان‌های گرد و غبار، جنگل‌زدایی
- ۲) اثرات سوء روی محل سکونت، جنگل‌زدایی، آلودگی، تخریب سرزمین‌های مرطوب
- ۳) اثرات سوء روی محل سکونت، جنگل‌زدایی، آلودگی، ریزگردها و طوفان‌های گرد و غبار
- ۴) آلودگی، جنگل‌زدایی، تدوین قوانین، کنترل سیلاب، ایجاد اشتغال

۲۸۹-

بر اساس اصل ۴۵ قانون اساسی جمهوری اسلامی ایران کلیه آب‌های قلمرو کشور

- ۱) از اموال دولتی است و مالکیت آن و مسئولیت حفظ و اجازه و نظارت بر آن برعهده دولت است.
- ۲) از مشترکات بوده و وزارت نیرو و سازمان‌های آب منطقه‌ای مسئولیت بهره‌برداری و توزیع عادلانه آن را بر عهده دارند.
- ۳) از مشترکات دولت است و مالکیت آن برعهده دولت بوده و بهره‌برداری از آنها به دولت محول نشده است.
- ۴) از مشترکات بوده و در اختیار حکومت اسلامی است و مسئولیت حفظ و اجازه و نظارت بر بهره‌برداری از آنها به دولت محول شده است.

۲۹۰-

دو وظیفه اصلی واحد خدمات بهره‌برداری شبکه‌های آبیاری و زهکشی کدامند؟

- ۱) کنترل و تخصیص منابع آب - کنترل و توزیع منابع آب
- ۲) کنترل و توزیع منابع آب - برآورد نیاز آبیاری
- ۳) کنترل و توزیع منابع آب - نظارت و کنترل توزیع
- ۴) کنترل و تخصیص منابع آب - اندازه‌گیری و جمع‌آوری آمار و کنترل کمی و کیفی میزان آب قابل استفاده از منابع آب

۲۹۱-

کدام یک از روش‌های ذیل در راستای توسعه پایدار منابع آب است؟

- ۱) استحصال مد
 - ۲) احداث سدهای مخزنی
 - ۳) استفاده از تالاب‌های مصنوعی
 - ۴) شیرین نمودن آب‌های شور
- در مورد حریم کانال‌ها و انهار احداثی و شبکه‌های آبیاری و زهکش، برای آبدهی بیش از ۱۵ مترمکعب در ثانیه، میزان حریم از هر طرف حدود چند متر خواهد بود؟

- | | | | |
|-----------|------------|-------------|-------------|
| ۱) ۸ تا ۶ | ۲) ۱۲ تا ۸ | ۳) ۱۲ تا ۱۵ | ۴) ۱۵ تا ۱۸ |
|-----------|------------|-------------|-------------|

۲۹۳-

کیفیت آب آبیاری در کدام زمینه مورد توجه کمتری قرار دارد؟

- ۱) DO, COD و BOD
- ۲) غلظت کل نمک‌های محلول و DO
- ۳) قلیائیت یا سربیک بودن آب نسبت به سایر کاتیون‌ها
- ۴) ترکیبات آنیونی آب به ویژه غلظت کربنات‌ها و بیکربنات‌ها

- ۲۹۴- علت عمده شکست سدها در جهان توسط سازمان های بین المللی چه عنوان شده است؟
 (۱) افزایش بار رسوبات در مخزن
 (۲) زلزله های القایی
 (۳) نامناسب بودن ساختگاه سد
 (۴) عدم کفایت سرریز
- ۲۹۵- وقتی در یک شبکه آبیاری راندمان توزیع مناسب نیست تمهیدات لازم برای افزایش راندمان توزیع چیست؟
 (۱) اجرای پوشش بستر کانال ها
 (۲) توسعه روش های آبیاری تحت فشار
 (۳) توسعه کانال های شبکه آبیاری
 (۴) لایروبی کانال ها و افزایش خدمات نگهداری
- ۲۹۶- معمول ترین روش محاسبه آب بها در شبکه های مدرن آبیاری ایران کدام است؟
 (۱) بر اساس سهمیه ثابتی از تولید
 (۲) بر اساس مساحت اراضی آبیاری
 (۳) بر اساس سهمیه ثابتی از تولید
 (۴) بر اساس قیمت تمام شده آب
- ۲۹۷- اطلاعات پایه منابع آب زیرزمینی شامل کدام موارد است؟
 (۱) نوسانات سطح ایستابی، تغذیه آب های زیرزمینی، نفوذپذیری، خاک شناسی حوضه
 (۲) خاک شناسی حوضه، نوسانات سطح ایستابی، زمین شناسی حوضه، تغذیه آب های زیرزمینی
 (۳) زمین شناسی حوضه، نفوذپذیری سفره، نوسانات سطح ایستابی، تغذیه آب های زیرزمینی
 (۴) زمین شناسی حوضه، میزان بارندگی در منطقه، نفوذپذیری سفره، نوسانات سطح ایستابی
- ۲۹۸- در مناطق کارستی برای انحراف آب از یک مجرا به مجرا یا معبر دیگر کدام نوع سد احداث می کنند؟
 (۱) انحرافی
 (۲) زیرزمینی
 (۳) سنگی
 (۴) وزنی
- ۲۹۹- بهترین روش برای تحلیل آبدهی مطمئن - ظرفیت مخزن کدام است؟
 (۱) اوج های متوالی
 (۲) شبیه سازی
 (۳) بهینه سازی
 (۴) روش منحنی تجمعی
- ۳۰۰- قانون توزیع عادلانه آب در چه تاریخی برای اجرا به دستگاه های زیربط ابلاغ شده است؟
 (۱) فروردین ۱۳۶۰
 (۲) اسفند ۱۳۶۱
 (۳) فروردین ۱۳۶۲
 (۴) اول مهر ۱۳۶۲
- ۳۰۱- توزیع بر حسب تقاضا به صورت دائم یکی از روش های مختلف توزیع آب در شبکه های آبیاری است. در این روش
 (۱) راندمان بهره برداری (سیستم) بسیار پایین است و قابل ارتقاء نیست.
 (۲) محدودیت ها زمانی نمایان می شوند که محصولات زیر کشت نیاز شدید به آبیاری دارند.
 (۳) کلیه عملیات بهره برداری از منابع آب توسط کاربران آب و دستی انجام می شود.
 (۴) آب به صورت دائم در اختیار مصرف کننده است و هر وقت که ورودی آبیگر را باز کند می تواند در حد ظرفیت آبیگر بدون محدودیت آب دریافت نماید.
- ۳۰۲- در روش های روندیابی ذخیره ای از کدام معادلات استفاده می شود؟
 (۱) معادله پیوستگی و معادله دبی - ذخیره
 (۲) معادله پیوستگی و مومنتم
 (۳) معادله انرژی و معادله پیوستگی
 (۴) معادله انرژی و معادله دبی - اشل
- ۳۰۳- از حداکثر باران محتمل و حداکثر سیلاب محتمل در کدام محاسبات استفاده می شود؟
 (۱) در طراحی بندهای انحرافی و پل های بزرگ
 (۲) سیلاب طراحی - دبی اوج طغیان
 (۳) در محاسبات رواناب حوضه و بیلان آب
 (۴) در فاز مطالعات سازه های هیدرولیکی
- ۳۰۴- تمهیدات غیرسازه ای برای کنترل سیلاب کدامند؟
 (۱) تقویت سیستم های هشدار دهنده، تغییرات لازم در کاربری اراضی، عملیات کنترل سیلاب
 (۲) تقویت سیستم های هشدار دهنده، احداث سد مخزنی، علیه حفاظت خاک
 (۳) ساخت سدهای کابیونی، تقویت سیستم های هشدار دهنده و عملیات حفاظت خاک
 (۴) کنترل سیلاب از طریق عملیات مهندسی رودخانه، تغییرات لازم در کاربری اراضی، احداث سد مخزنی

- ۳۰۵- دو مورد از وظایف واحد خدمات نگهداری شبکه‌های آبیاری و زهکشی عبارتند از:
- (۱) ایجاد هماهنگی با مدیریت بهره‌برداری و برنامه‌ریزی عملیات نگهداری، اجرای عملیات نگهداری برنامه‌ریزی شده به طور منظم و تعمیر خرابی‌های پیش‌بینی نشده در برنامه
 - (۲) ایجاد هماهنگی با مدیریت بهره‌برداری و برنامه‌ریزی عملیات نگهداری، توزیع به موقع و مناسب آب آبیاری به منظور تأمین آب مورد نیاز گیاهان زیر کشت در شبکه آبیاری
 - (۳) اجرای عملیات نگهداری برنامه‌ریزی شده به طور منظم و تعمیر خرابی‌های پیش‌بینی نشده در برنامه، توزیع به موقع و مناسب آب آبیاری به منظور تأمین آب مورد نیاز گیاهان زیر کشت در شبکه آبیاری
 - (۴) پیش‌بینی و برنامه‌ریزی فعالیت‌های عملیات نگهداری و تعمیرات که باید طی سال بعد صورت گیرد، جمع‌آوری و کنترل کلیه اطلاعات آمار مورد لزوم قبل و بعد از بهره‌برداری سالیانه
- ۳۰۶- شاخص دبی حداقل ۷ روزه با دوره بازگشت ده ساله جزء کدام خشکسالی محسوب می‌شود؟
- (۱) خشکسالی کشاورزی (۲) خشکسالی هواشناسی (۳) خشکسالی متامورفیک (۴) خشکسالی هیدرولوژیک
- ۳۰۷- کدام یک از دامنه دوره بازگشت‌های ذیل برای طراحی سیستم‌های پخش سیلاب مناسب‌تر به نظر می‌رسد؟
- (۱) $T < 2$ (۲) $T < 10$ (۳) $20 > T > 100$ (۴) $T > 100$
- ۳۰۸- عوامل مهم در مناسب بودن یک منطقه برای تغذیه مصنوعی و پخش سیلاب چیست؟
- (۱) بارندگی - نفوذپذیری خاک (۲) بارندگی - سطح عرصه
 - (۳) بارندگی - نفوذپذیری خاک - سطح عرصه (۴) نفوذپذیری خاک - سطح عرصه - وجود منابع آب زیرزمینی
- ۳۰۹- در مناطق غیرممنوعه، حفر چاه و استفاده از آب برای مصارف خانگی و شرب و بهداشتی و باغچه تا چه ظرفیتی از آبدهی (به مترمکعب بر روز) مجاز است و احتیاج به صدور پروانه حفر و بهره‌برداری ندارد؟
- (۱) ۳۰ (۲) ۲۵ (۳) ۲۰ (۴) ۱۵
- ۳۱۰- کدام یک از روش‌های مدیریت منابع آب زیر به دوره خشکسالی‌ها حساس نمی‌باشد؟
- (۱) احداث سد (۲) استفاده از سیستم‌های سطوح آبیگر باران
 - (۳) باروری ابرها (۴) استفاده مجدد از پساب‌های تصفیه شده شهری