



104

A

نام :

نام خانوادگی :

محل امضاء :

صبح چهارشنبه
۹۲/۱۱/۱۶



جمهوری اسلامی ایران
وزارت علوم، تحقیقات و فناوری
سازمان سنجش آموزش کشور

اگر دانشگاه اصلاح شود مملکت اصلاح می‌شود.
امام خمینی (ره)

آزمون ورودی دوره‌های کارشناسی ارشد ناپیوسته داخل - سال ۱۳۹۳

مجموعه مهندسی مکانیک - کد ۱۲۶۷

مدت پاسخگویی: ۱۸۰ دقیقه

تعداد سؤال: ۱۷۰

عنوان مواد امتحانی، تعداد و شماره سؤالات

ردیف	مواد امتحانی	تعداد سؤال	از شماره	تا شماره
۱	زبان عمومی و تخصصی	۳۰	۱	۳۰
۲	ریاضی (ریاضی عمومی ۱، ۲، معادلات دیفرانسیل، ریاضی مهندسی)	۲۰	۳۱	۵۰
۳	حرارت و سیالات (ترمودینامیک، مکانیک سیالات، انتقال حرارت)	۲۰	۵۱	۷۰
۴	جامدات (استاتیک، مقاومت مصالح، طراحی اجزاء)	۲۰	۷۱	۹۰
۵	دینامیک و ارتعاشات (دینامیک، ارتعاشات، دینامیک ماشین، کنترل)	۲۰	۹۱	۱۱۰
۶	ساخت و تولید (ماشین‌ابزار، قالب‌پرس، علم مواد، ماشین‌های کنترل عددی، اندازه‌گیری، تولید مخصوص، هیدرولیک و نیوماتیک، مدیریت تولید)	۲۰	۱۱۱	۱۳۰
۷	مبانی بیومکانیک ۱ و ۲	۲۰	۱۳۱	۱۵۰
۸	دروس پایه پزشکی (فیزیولوژی، آناتومی، فیزیک پزشکی)	۲۰	۱۵۱	۱۷۰

یهمین ماه سال ۱۳۹۲

استفاده از ماشین حساب مجاز نمی‌باشد.

این آزمون دارای نمره منفی است.

Part A: Vocabulary

Directions: Choose the word or the phrase (1), (2), (3), or (4) that best completes each sentence. Then mark your answer sheet.

- 1- Walters could face _____ for his role in the robbery.
1) prohibition 2) prosecution 3) collaboration 4) violation
- 2- The officer's historical role as a street cleaner occasionally required a measure of _____ and imagination.
1) embezzlement 2) submission 3) masterpiece 4) dexterity
- 3- The daughter had all the brains and did all the accounts—the son was just the _____ boss of the business.
1) nominal 2) tenable 3) unpretentious 4) decent
- 4- After the tennis match the boys _____ the sandwiches in seconds.
1) devoured 2) engraved 3) affronted 4) hallowed
- 5- Over the centuries, these animals have become _____ to living in a dry environment.
1) inhibited 2) conducive 3) habituated 4) offensive
- 6- The results provide the most _____ and conclusive evidence to date of some enduring inequities in participation in such facilities.
1) ambivalent 2) authoritative 3) inflexible 4) excessive
- 7- Language acquisition is one of the central topics in cognitive science. Every theory of cognition has tried to explain it; probably no other topic has _____ such controversy.
1) assented to 2) appreciated 3) speculated 4) aroused
- 8- As supporter of the value of free trade, Bennett was often called upon to give speeches around the world extolling the _____ of unencumbered commerce.
1) demerits 2) ambiguities 3) virtues 4) euphemisms
- 9- _____ those who challenge your thesis is more insulting than attacking them outright.
1) Verifying 2) Amusing 3) Ignoring 4) Seeking
- 10- The student's purpose is specific and well defined, yet his method could be described as _____.
1) wholehearted 2) haphazard 3) autonomous 4) credible

Part B: Cloze Passage

Directions: Read the following passage and decide which choice (1), (2), (3), or (4) best fits each space. Then mark your answer sheet.

Since World War II, direct observation of marine organisms in their natural habitats has been made possible by underwater cameras, television, (11) _____, and submersible craft, or submarines, that can descend to great depths. Underwater television provides the observer with a continuous picture of events (12) _____ within the field of the submerged camera. The development of self-contained diving equipment made it possible (13) _____ marine organisms in their natural habitat.

Morphological and taxonomic studies of marine organisms are generally performed on preserved materials in connection with the work in museums and universities. Physiological and embryological investigations requiring the use of living material (14) _____ generally pursued at biological stations. These are situated on the seacoast, (15) _____ the rapid transfer of specimens to the laboratory where they may be maintained in seawater provided by special circulating systems.

- 11- 1) to improve diving equipment 2) improve equipment to dive
3) improving equipment of diving 4) improved diving equipment
- 12- 1) that occur 2) to occur 3) occur 4) occurred
- 13- 1) that the investigator inspect 2) for the inspector to investigate
3) to inspect the investigator by 4) that investigator's inspection of
- 14- 1) is 2) to be 3) are 4) being
- 15- 1) facilitated 2) and facilitate 3) that facilitates 4) thus facilitating

PART C: Reading Comprehension

Directions: Read the following three passages and answer the questions by choosing the best choice (1), (2), (3), or (4). Then mark the correct choice on your answer sheet.

Passage 1:

Friction should be considered early in the system design by reducing it as much as possible through good hardware design. There are, however, cost constraints that may be prohibitive. Dither is a simple way to reduce static friction that has been used for a long time. Dither can be introduced electronically or mechanically by a vibrator (e.g., in early auto pilots). Recent advances in computer control have also shown the possibility to reduce the effects of friction by estimation and control. Static friction is the friction when sticking. The force required to overcome the static friction and initiate motion is called the break-away force. The maximum friction force typically occurs at a small displacement from the starting point. The main difficulty when modeling the friction is the problem of detecting when the velocity is zero. A remedy for this is found in the model presented by Karnopp.

- 16- The paragraph is about -----**
- 1) Reaction force between two surfaces in contact
 - 2) Design methods for reducing the vibration
 - 3) Modeling of dither in mechanical systems
 - 4) Early design of computer control systems
- 17- The paragraph states that -----**
- 1) Auto pilot and dither have the same meaning.
 - 2) Auto pilot is an example of using dither.
 - 3) Auto pilot is the only application of using dither.
 - 4) Auto pilot is the earliest system that has used dither.
- 18- It can be inferred from the paragraph that -----**
- 1) The break-away force is constant.
 - 2) Before sliding, the friction force is constant.
 - 3) There is a pre-sliding displacement between contacting surfaces.
 - 4) Before sliding, the relative displacement between contacting surfaces is zero.
- 19- Which one of the following sentences is correct?**
- 1) Karnopp has explained the problem of detecting when the velocity is zero.
 - 2) Karnopp has overlooked the problem of detecting when the velocity is zero.
 - 3) Karnopp is the pioneer of the problem of detecting when the velocity is zero.
 - 4) Karnopp has proposed a solution for the problem of detecting when the velocity is zero.
- 20- The paragraph suggests that-----**
- 1) Friction has inverse effect on the control system.
 - 2) Friction can be compensated via control design.
 - 3) Control system can eliminate the friction from the system.
 - 4) Control system is used to model and to estimate the friction.

Passage 2

Mechanical engineering plays a dominant role in enhancing safety, economic vitality, enjoyment, and overall quality of life throughout the world. If something moves or uses energy, one will conclude that a mechanical engineer was probably involved in its design or production. At the same time, mechanical engineers are expected to understand and convey the real-world consequences of technology development alternatives to decision-makers and the public. Mechanical engineering is a profession requiring specific skills. These skills are acquired through education, training and experience. A solid foundation in mathematics, basic sciences, and the language arts is of crucial importance. Ability in oral and written communications is important to success in mechanical engineering studies, and courses in mechanical and technology-related subjects can help students begin to understand the important practicalities of technological projects. While mechanical engineering programs may vary in specific content, and detail, they are linked by a common educational philosophy.

The programs provide a broad-based education with a concentration on fundamentals and basic laws as the major tools required for the professional practice of mechanical engineering.

Employment prospects for mechanical engineers are strong, particularly where local economies are growing. Industrial sectors in which mechanical engineers have traditionally made substantial contributions are large in number. In addition, the medical and pharmaceutical industries present exciting opportunities for mechanical engineers to join forces with the life sciences. Even the entertainment industry relies heavily on mechanical engineers for special effects and amusement park equipment. The vast majority of this work is done in companies ranging from large multi-nationals to small local firms. With experience and further education, some mechanical engineers move into legal or management positions. Others choose the path of scholarly research and teaching. The work of a mechanical engineer is diverse and worldwide, and their careers are marked by an important common factor of continuous learning. One engineer's new product is another engineer's new tool. Mechanical engineers are in the business of advancing the technological state of the art and are doing so at a rapid pace and on a global scale. However, to remain competent and competitive throughout one's career, they must continuously learn about and use new developments in the field. Every project, promotion, and job change produces new learning demands. Engineers who are active in professional societies gain a competitive edge, enhance their knowledge and technical expertise, and acquire leadership skills.

- 21- **All of the following are given in the passage EXCEPT ----- .**
 1) Mechanical engineers are born with a natural distinctive talent
 2) Mechanical engineering is a profession requiring particular skills
 3) Mechanical engineering influences almost every aspect of our daily life
 4) Some mechanical engineers move into legal or management positions
- 22- **According to the passage, mechanical engineering programs -----.**
 1) have fixed content and detail
 2) influence the political movements
 3) have a dim employment prospect
 4) share the same educational philosophy
- 23- **The phrase "this work" in line 20 refers to ----- .**
 1) medical industry
 2) mechanical engineering
 3) amusement park industry
 4) pharmaceutical industry

- 24- In can be inferred from the sentence "One engineer's new product is another engineer's new tool" that ----- .
- 1) mechanical engineering is rapidly and globally advancing
 - 2) there is a competition throughout an engineer's career
 - 3) every new product causes promotion and new learning demand for another engineer
 - 4) a new product of an engineer is an opportunity of new development in the field
- 25- Reading the passage, one can come to the conclusion that mechanical engineering is -----.
- 1) a field of study touching every aspect of life
 - 2) a technical expertise with a concentration on fundamentals
 - 3) a life-long process to gain a competitive edge
 - 4) a profession requiring ability in oral and written communication

Passage 3

Imagine a day without mechanical engineering. You wake up in a cold room because, without modern heating systems, every tree within 100 miles has already been burned. Stumbling over your cat, which you did not see because you can't switch on the lights, since electric generators were never invented, you decide to take a refreshing shower. Turning on the water, you are rudely reminded that hot water is available only at luxurious spas that import wood. Thank goodness for those clever chemical and electrical engineers who build battery-powered transistor radios. After 15 minutes of squeaky music (Oh, yeah, mechanical engineers also design music speakers), you decide to get breakfast. After getting on your bicycle (You still call it a bicycle although it rides more like a tank because its inflexible materials weigh 50 pounds, and it has no gearing), you struggle to the local cafe, dreaming of a more automated way of driving around or even of flying through the air. The morning has left you dark and cranky especially when you realize that the rest of the day has much more of the same in store for you. You dream of whirling machine that quietly sort, wash, dry, and fold clothes neatly, and flying machines that can outrun an echo in a canyon and others that are faster than a shooting star. You dream of tiny robots that probe and fix the heart, mind, and body-healing breaks, blocks, and bruises. It would take diverse communities of dedicated men and women who are bound together by the common goal of making life safer, healthier, more hospitable, and more fun. You realize that, like the pyramid builders or an army of ants, these engineers would get little individual recognition or appreciation. Engineers express love with better vacuum cleaners, more efficient power tools, and cleaner wastewater treatment plants. Their inventions are not always artistic, but neither is raw sewage thrown from a second-storey window. In a wordy world where talk is cheap, engineering has a concreteness and usefulness that is not easily faked. After a day without mechanical engineers, it makes you wonder what life would be like without even higher-priced professionals, such as lawyers, real estate brokers, or baseball players.

- 26- The passage suggests that -----.
- 1) human needs mechanical engineers to generate electricity
 - 2) other professionals enable mechanical engineers to earn money
 - 3) it is mechanical engineers' dream that led to inventions
 - 4) human's life heavily depends on mechanical engineering
- 27- The word "cranky" in line 12 is closest in meaning to ----- .
- 1) gloomy
 - 2) moody
 - 3) unpleasant
 - 4) unaffected

-
- 28- **It can be understood that during life without mechanical engineering ----- .**
1) it takes 15 minutes to arrive at work by a bicycle
2) diverse communities of professional are bound together
3) individuals are more hospitable, confident, and healthier
4) 50- pound bicycles are among the heavy vehicles to be used
- 29- **The word "it" in line 23 refers to ----- .**
1) life without mechanical engineering
2) a day without mechanical engineering
3) a day without mechanical engineers and the trained
4) life without mechanical engineers and other trained professionals
- 30- **Which of the following can be inferred from the phrase "...these engineers would get little individual recognition or appreciation." (lines 18-19)?**
1) Mechanical engineers prefer to be recognized.
2) Teamwork is the key of mechanical engineers success.
3) Mechanical engineers prefer to have little recognition.
4) Individuality is what makes mechanical engineers successful.

۳۱- طول قوس خم $y = x^{\frac{2}{3}}$ ، $1 \leq x \leq 8$ ، کدام است؟

$$(1) \frac{40\sqrt{40} - 8}{27}$$

$$(2) \frac{40\sqrt{40} - 13\sqrt{13}}{27}$$

$$(3) \frac{9}{4} \left[\left(\frac{13}{9}\right)^{\frac{2}{3}} - \left(\frac{10}{9}\right)^{\frac{2}{3}} \right]$$

(۴) امکان انتگرالگیری به کمک تابع اولیه مقدماتی وجود ندارد.

۳۲- منحنی $y = \ln x$ ، $0 < x \leq 10$ ، حول محور y دوران کرده است مساحت روبه

دوار حاصل کدام است؟

$$(1) \pi\sqrt{2} + \pi \ln(1 + \sqrt{2})$$

$$(2) 2\pi\sqrt{2} + 2\pi \ln(1 + \sqrt{2})$$

$$(3) \pi\sqrt{2} + \pi[\ln(1 + \sqrt{2}) - \ln 2]$$

(۴) به عنوان حالت حدی، یک عدد متناهی نیست.

۳۳- اگر عدد c چنان باشد که $\sinh c = \frac{3}{4}$ ، آنگاه x هایی که در معادله

$$\ln(e^x - \sqrt{e^{2x} - 1}) = c$$
 صدق می کنند، کدام است؟

$$(1) x = \ln 5 - \ln 4 \quad (2) x = \ln 4 - \ln 5$$

$$(3) x = \ln 3 - \ln 4 \quad (4) \text{ جواب ندارد.}$$

۳۴- اگر $z = re^{i\theta}$ ، آنگاه مقدار:

$$\theta \cos(n-1) + r^{n-1} \cos 2\theta + r^2 \cos \theta + 1$$
 کدام است؟

$$(1) \frac{1 - r^n \cos n\theta + r^{n+1} \cos(n-1)\theta}{1 + r^2 - 2r \cos \theta}$$

$$(2) \frac{1 - r \cos \theta - r^n \cos n\theta + r^{n+1} \cos(n+1)\theta}{1 + r^2 - 2r \cos \theta}$$

$$(3) \frac{1 - r \cos \theta - r^n \cos n\theta + r^{n-1} \cos(n-1)\theta}{1 + r^2 - 2r \cos \theta}$$

$$(4) \frac{1 - r \cos \theta + r^{n+1} \cos(n-1)\theta - r^n \cos n\theta}{1 + r^2 - 2r \cos \theta}$$

۳۵- وقتی یک انتگرال دوگانه تشکیل می‌شود برای حجم V جسم زیر رویه پیوسته $z = f(x, y)$ و بالای یک ناحیه S در صفحه xy ، مجموع زیر از انتگرال‌های مکرر بدست می‌آید.

$$V = \int_1^2 \left[\int_x^{x^2} f(x, y) dy \right] dx + \int_2^8 \left[\int_x^{\sqrt{x}} f(x, y) dy \right] dx$$

بیان V به صورت یک انتگرال دوگانه که در آن ترتیب انتگرال‌گیری عوض شده باشد کدام است؟

$$\begin{aligned} (1) \quad & \int_1^8 \left[\int_{\sqrt{y}}^y f(x, y) dx \right] dy \quad (2) \quad \int_1^2 \left[\int_{x^2}^x f(x, y) dx \right] dy \\ (3) \quad & \int_1^8 \left[\int_{\sqrt{y}}^y f(x, y) dx \right] dy \quad (4) \quad \int_1^2 \left[\int_x^{x^2} f(x, y) dx \right] dy \end{aligned}$$

۳۶- به ازای کدام L و K حقیقی تابع:

$$u(x, y) = K \left[\ln \cos\left(\frac{x}{K}\right) - \ln \cos\left(\frac{y}{K}\right) \right] + L$$

در معادله رویه مینیمال $(1 + u_x^2)u_{yy} - 2u_x u_y u_{xy} + (1 + u_y^2)u_{xx} = 0$ صدق می‌کند؟

۳۷- (۱) به ازای همه L و K حقیقی (۲) به ازای فقط $L = 0$ و هر K حقیقی
(۳) به ازای فقط $L = 0$ و فقط $K = 1$ (۴) به ازای فقط $K = 1$ و هر L حقیقی
نقاط ماکزیمم نسبی (یا موضعی)، مینیمم نسبی (یا موضعی)، یا زینی تابع

$$f(x, y) = 3x^4 - 4x^2y + y^2$$

(۱) $(0, 0)$ نقطه مینیمم نسبی تابع است.

(۲) $(0, 0)$ نقطه زینی تابع است.

(۳) $(0, 0)$ نقطه ماکزیمم نسبی تابع است.

(۴) تابع f نقطه مینیمم نسبی، ماکزیمم نسبی، یا زینی ندارد.

۳۸- معادلات
$$\begin{cases} u = x^2 + y^2 \\ v = x^2 - 2xy^2 \end{cases}$$
 متغیرهای x و y را به طور ضمنی به عنوان توابعی از u و v تعریف می‌کنند. به ازای مقادیری از (x, y) نزدیک $(1, 2)$ و مقادیری از

(u, v) نزدیک $(5, -7)$ مقادیر $\frac{\partial x}{\partial u}$ و $\frac{\partial y}{\partial u}$ به ترتیب، در $(u, v) = (5, -7)$

کدام است؟

(۱) 1 و $\frac{3}{4}$ (۲) 1 و -1

(۳) 1 و $-\frac{3}{4}$ (۴) 1 و $\frac{3}{4}$

۳۹- جواب عمومی معادله $y' - x \sin 2y = xe^{-x^2} \cos^2 y$ کدام است؟

$$(1) \quad 4 \tan y + e^{x^2} - 4ce^{-x^2} = 0$$

$$(2) \quad \tan y + e^{x^2} + 4ce^{-2x^2} = 0$$

$$(3) \quad 4 \tan y + e^{-x^2} - 4ce^{x^2} = 0$$

$$(4) \quad 4 \tan y + e^{-2x^2} + 4ce^{x^2} = 0$$

۴۰- جواب عمومی معادله $x \frac{dy}{dx} - y + 3x^2 y - x^2 = 0$ کدام است؟

$$(1) \quad y = cx^{-1} e^{-x^2} + x^{-1} e^{-x^2} \int^x e^s ds$$

$$(2) \quad y = cx^{-1} e^{-x^2} + x^{-1} e^{-x^2} \int^x e^s ds$$

$$(3) \quad y = cxe^{-x^2} + xe^{-x^2} \int^x e^s ds$$

$$(4) \quad y = cxe^{-x^2} + xe^{-x^2} \int^x e^s ds$$

۴۱- جواب عمومی معادله دیفرانسیل $y'' + (y')^2 + 1 = 0$ کدام است؟

$$(1) \quad e^{2y} = \cos(c_1 x + c_2) \quad (2) \quad e^y = \cos(c_1 x + c_2)$$

$$(3) \quad e^y = \sqrt{c_1} \cos(x + c_2) \quad (4) \quad e^{2y} = \sqrt{c_1} \cos(x + c_2)$$

۴۲- جواب عمومی معادله دیفرانسیل $x^2 y'' + 2x^2 y' + y = \frac{1+x}{x}$ کدام است؟

(راهنمایی: می‌توانید از تغییر متغیر مستقل $x = \frac{1}{t}$ استفاده کنید)

$$(1) \quad y = c_1 \cos(x^2) + c_2 \sin(x^2) + \frac{1}{x} + 1$$

$$(2) \quad y = c_1 \cos\left(\frac{1}{x}\right) + c_2 \sin\left(\frac{1}{x}\right) + \frac{1}{x} + 1$$

$$(3) \quad y = \frac{c_1}{x} \cos(x^2) + \frac{c_2}{x} \sin x + \frac{1}{x} + 1$$

$$(4) \quad y = \frac{c_1}{x} \cos(x^2) + \frac{c_2}{x} \sin(x^2) + \frac{1}{x} + 1$$

۴۳- معادله دیفرانسیل $4x^2y'' + 4xy' + (\lambda x^2 - 1)y = 0$ با فرض

این که $J_{\frac{1}{2}}(x) = \sqrt{\frac{2}{\pi x}} \cos x$ ، $J_{\frac{1}{2}}(x) = \sqrt{\frac{2}{\pi x}} \sin x$ توابع بسل باشد

جواب عمومی معادله‌ی داده شده، کدام است؟

$$y = c_1 \frac{\cos \sqrt{2x}}{x} + c_2 \frac{\sin \sqrt{2x}}{x} \quad (1)$$

$$y = c_1 \frac{\cos \sqrt{2x}}{\sqrt{x}} + c_2 \frac{\sin \sqrt{2x}}{\sqrt{x}} \quad (2)$$

$$y = c_1 \frac{\sin \sqrt{x}}{\sqrt{x}} + c_2 \frac{\cos \sqrt{x}}{\sqrt{x}} \quad (3)$$

$$y = c_1 \frac{\sin x}{\sqrt{x}} + c_2 \frac{\cos x}{\sqrt{x}} \quad (4)$$

۴۴- پاسخ مسئله مقدار اولیه $y'' + y = 3\delta(t - \pi)$ ، $y'(0) = 0$ ، $y(0) = 6$

کدام است؟

$$y(t) = 6 \cos t - 3u_{\pi}(t) \sin t \quad (1)$$

$$y(t) = 6 \cos t + 3u_{\pi}(t) \sin t \quad (2)$$

$$y(t) = 6 \cos t + 3 \sin(t - \pi) \quad (3)$$

$$y(t) = 6 \sin t + 3u_{\pi}(t) \sin(t - \pi) \quad (4)$$

۴۵- نمایش انتگرال فوریه تابع $f(x) = \begin{cases} 0, & x < 0 \\ \frac{\pi}{2}, & x = 0 \\ \pi e^{-x}, & x > 0 \end{cases}$ کدام است؟

$$\int_{-\infty}^{\infty} \frac{\cos(\alpha x) d\alpha}{1 + \alpha^2} = f(x) \quad (1)$$

$$\int_0^{\infty} \frac{\cos(\alpha x) + \sin(\alpha x)}{1 + \alpha^2} d\alpha = f(x) \quad (2)$$

$$\int_0^{\infty} \frac{\cos(\alpha x) + \alpha \sin(\alpha x)}{1 + \alpha^2} d\alpha = f(x) \quad (3)$$

$$\int_{-\infty}^{\infty} \frac{\cos(\alpha x) + \alpha \sin(\alpha x)}{1 + \alpha^2} d\alpha = f(x) \quad (4)$$

۴۶- اگر تبدیل فوریه تابع مطلقاً انتگرال‌پذیر و تکه‌ای همواره $f(x)$ به صورت

$$F(\omega) = \int_{-\infty}^{\infty} f(x) e^{-i\omega x} dx \quad \text{باشد، تبدیل عکس فوریه } F(\omega) = \frac{2}{1+\omega^2}$$

یعنی $f(x)$ کدام است؟

(۱) e^x (۲) e^{-x}

(۳) $e^{-|x|}$ (۴) $\cosh x$

۴۷- تبدیل $w = \sin z$ در کدام نقاط همدیس است؟

(۱) در همه نقاط همدیس است.

(۲) در همه نقاط، بجز $z = n\pi$ ، n عدد صحیح

(۳) در همه نقاط، بجز $z = (n - \frac{1}{2})\pi$ ، n عدد صحیح

(۴) در همه نقاط، بجز $z = (n - \frac{1}{2})\pi$ ، n عدد طبیعی

۴۸- تابع تحلیلی $f(z) = u(x, y) + iv(x, y)$ حوزه D_z از صفحه z را به روی

حوزه D_w از صفحه w می‌نگارد. اگر $h(u, v)$ تابع همسازی تعریف شده بر حوزه

D_w باشد و قرار دهیم $H(x, y) = h(u(x, y), v(x, y))$ ، در این صورت

رابطه بین $|\nabla h(u, v)|$ ، $|\nabla H(x, y)|$ کدام است؟ (∇h تابع برداری گرادبان h می‌باشد و به‌طور مشابه ∇H)

(۱) $|\nabla H(x, y)| = |\nabla h(u, v)| |f'(z)|$

(۲) $|\nabla H(x, y)| = |\nabla h(u, v)| |f'(z)|^2$

(۳) $|\nabla H(x, y)| = |\nabla h(u, v)| |f'(z)|^{\frac{1}{2}}$

(۴) رابطه مشخصی وجود ندارد.

۴۹- در مسئله مقدار اولیه مرزی موج یک بعدی

$$\begin{cases} u_{tt} - a^2 u_{xx} = 0, 0 < x < L, t > 0 \\ u(x, 0) = g(x), u_t(x, 0) = h(x), 0 \leq x \leq L \\ u(0, t) = 0 = u(L, t) \end{cases}$$

کدام گزینه صحیح است؟

(۱) $u(L-x, t + \frac{L}{a}) = u(x, t), u(x, t + \frac{2L}{a}) = u(x, t)$

(۲) $u(L-x, t + \frac{L}{a}) = -u(x, t), u(x, t + \frac{2L}{a}) = u(x, t)$

(۳) $u(L-x, t + \frac{L}{a}) = -u(x, t), u(x, t + \frac{2L}{a}) = -u(x, t)$

(۴) $u(L-x, t + \frac{L}{a}) = u(x, t), u(x, t + \frac{2L}{a}) = -u(x, t)$

۵۰- در مسئله مقدار مرزی زیر ($h > 0$ ثابت) برای اینکه معادله دیفرانسیل به همراه شرایط مرزی دارای جواب‌های متناوب نسبت به x به صورت $A \cos(\alpha x) + B \sin(\alpha x)$ باشد، α باید در کدام معادله صدق کند؟

$$\begin{cases} u_t - u_{xx} = 0, 0 < x < L, t > 0 \\ u_x(0, t) - hu(0, t) = 0, u_x(L, t) + hu(L, t) = 0 \\ u(x, 0) = \phi(x), 0 \leq x \leq L \end{cases}$$

تکهای همواره مفروض

$$\tan(\alpha L) = \frac{2hL}{\alpha^2 - h^2} \quad (2) \qquad \tan(\alpha L) = \frac{h\alpha}{\alpha^2 - h^2} \quad (1)$$

$$\tan(\alpha L) = \frac{2h\alpha}{\alpha^2 - h^2} \quad (4) \qquad \tan(\alpha L) = \frac{2h\alpha}{\alpha^2 + h^2} \quad (3)$$

حرارت و سیالات (ترمودینامیک، مکانیک سیالات، انتقال حرارت)

۵۱- اگر در یک سیکل تبرید تراکمی افزایش فشار در کمپرسور 120 kPa بوده و در شیر انبساط دمای سیال عامل از 35°C به 15°C برسد ضریب

ژول - تامسون سیکل، μ_J ، بر حسب $\frac{\text{K}}{\text{kPa}}$ به کدام مقدار نزدیک‌تر است؟

$$-0.042 \quad (1) \qquad -0.03 \quad (2)$$

$$0.03 \quad (3) \qquad 0.042 \quad (4)$$

۵۲- مخزن ذخیره هوا دارای حجم 1 m^3 و فشار 1 MPa در دمای محیط $T_0 = 25^\circ\text{C}$ است. به دلیل نشتی شیر این مخزن، هوای داخل مخزن بطور تدریجی تا فشار محیط 100 kPa تخلیه می‌گردد. برگشت ناپذیری بر واحد

جرم در فرایند نشتی هوا از مخزن چند $\frac{\text{kJ}}{\text{kgK}}$ می‌باشد؟

(مخزن را آدیاباتیک و هوا را گاز ایده‌آل فرض کنید.)

$$R = 0.287 \frac{\text{kJ}}{\text{kgK}} \text{ و } c_p = 1.003 \frac{\text{kJ}}{\text{kgK}} \text{ هوا}$$

$$197 \quad (1) \qquad 123 \quad (2)$$

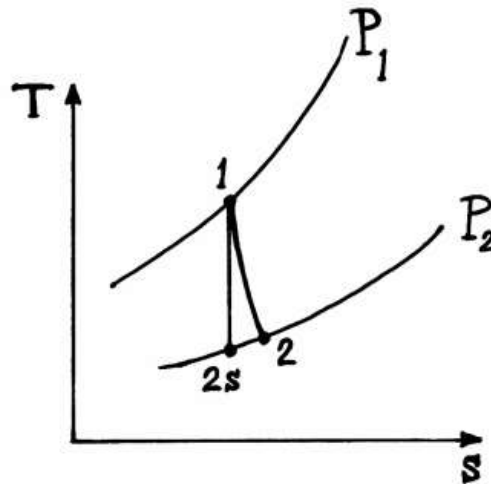
$$0 \quad (3) \qquad -30 \quad (4)$$

۵۳- برای یک گاز کامل، مقدار $\left(\frac{\partial s}{\partial v}\right)_T$ کدام است؟

$$\rho R \quad (2) \qquad \text{صفر} \quad (1)$$

$$PR \quad (4) \qquad vR \quad (3)$$

۵۴- بخار آب در حالت ۱ وارد یک توربین غیر برگشت پذیر شده و در حالت ۲ از آن خارج می شود. کار برگشت پذیر این توربین کدام است؟ (زیرنویس صفر نشان دهنده شرایط محیط است و از تغییرات انرژی جنبشی و پتانسیل صرف نظر می شود.)



(۱) $h_1 - h_2$

(۲) $h_1 - h_{2s}$

(۳) $(h_1 - h_2) - T_0(s_1 - s_2)$

(۴) $(h_1 - h_0) - T_0(s_1 - s_0)$

۵۵- مقداری هوای مرطوب با دمای خشک T_1 و رطوبت نسبی ۵٪ وارد یک کمپرسور با نسبت فشار ۲ می گردد. با فرض اینکه بخار آب و هوا مخلوط گاز ایده آل باشند، دمای نقطه شبنم هوای خروجی از کمپرسور کدام است؟

(۱) کوچکتر از T_1

(۲) برابر با T_1

(۳) بزرگتر از T_1

(۴) بستگی به فشار هوای ورودی به کمپرسور دارد.

۵۶- یک سیستم حاوی گاز ایده آل ابتدا در فشار P و حجم V می باشد. این گاز در حجم ثابت حرارت داده می شود تا دمای آن دو برابر گردد. سپس در فشار ثابت حرارت از دست می دهد تا دمای آن به دمای اولیه اش برسد. کار انجام شده کل کدام است؟ (سیستم دارای جرم معینی می باشد.)

(۱) $\frac{1}{2}PV$

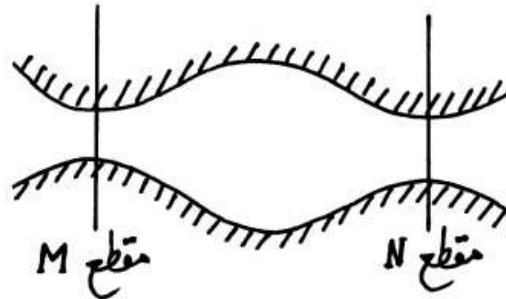
(۲) PV

(۴) $4PV$

(۳) $2PV$

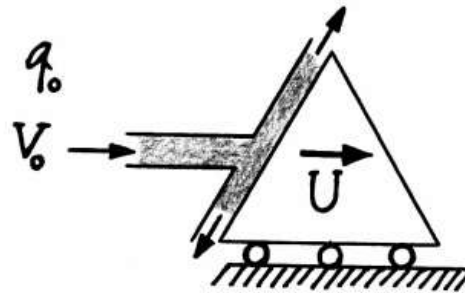
۵۷- شرایط یک گاز ایده آل در دو مقطع M و N در عبور از یک کانال به صورت زیر است:
 $P_N = 115 \text{ kPa}$, $T_N = 47^\circ \text{C}$, $P_M = 120 \text{ kPa}$, $T_M = 87^\circ \text{C}$
 جریان پایا و کانال آدیاباتیک است. کدام یک از پاسخ‌های زیر تناقضی با اصول ترمودینامیک ندارد؟

(گرمای ویژه گاز $c_p = 1.5 \frac{\text{kJ}}{\text{kgK}}$ ، ثابت گاز: $R = 0.3 \frac{\text{kJ}}{\text{kgK}}$)



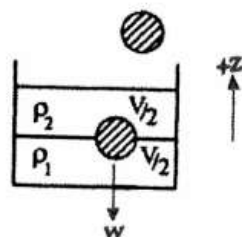
- (۱) جریان از N به M است.
 (۲) جریان میتواند دوطرفه باشد.
 (۳) جریان از M به N است.
 (۴) جریان وجود ندارد.

۵۸- یک جسم مطابق شکل زیر با سرعت ثابت U از جتی با دبی q_0 و سرعت V_0 در حال دور شدن است. در چه سرعتی از U بر حسب V_0 ، توان ماکزیمم از جت به جسم منتقل می‌شود؟ (از وزن آب صرف نظر کنید.)



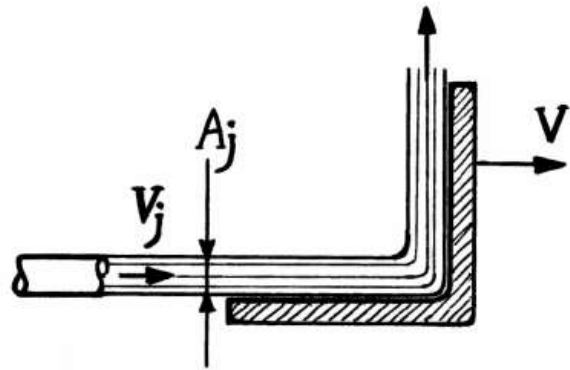
- (۱) $\frac{V_0}{3}$
 (۲) $\frac{V_0}{2}$
 (۳) V_0
 (۴) $2V_0$

۵۹- شکل زیر کره‌ای با دانسیته مجهول را نشان می‌دهد که در سطح حائل بین دو مایع غیر قابل امتزاج با دانسیته‌های معلوم ρ_1 و ρ_2 قرار گرفته است. با فرض اینکه نیمی از کره در تماس با هریک از این دو سیال باشد، دانسیته کره چقدر است؟



- (۱) $\frac{\rho_1 - \rho_2}{2}$
 (۲) $\rho_1 - \rho_2$
 (۳) $\frac{\rho_1 + \rho_2}{2}$
 (۴) $\rho_1 + \rho_2$

۶۰- جت آبی مطابق شکل زیر به یک پایه متحرک برخورد می کند. این پایه جریان را 90° منحرف می نماید، ولی مقدار سرعت جریان را تغییر نمی دهد. با صرف نظر از کلیه افت های اصطکاکی، میزان نیروی افقی وارده به پایه چقدر باشد تا پایه شتاب نگیرد؟ (از وزن آب و پایه صرف نظر کنید).



$$\rho_j A_j V_j (V_j - V) \quad (2) \qquad \rho_j A_j (V_j - V) V \quad (1)$$

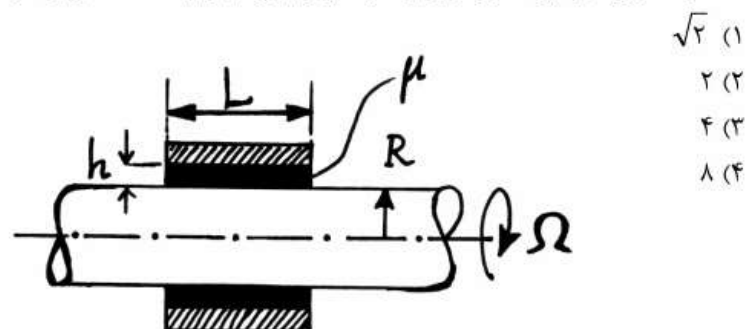
$$\rho_j A_j (V_j - V)^2 \quad (4) \qquad \rho_j A_j V_j (V_j + V) \quad (3)$$

۶۱- در جریان آرام داخل لوله ها، دبی جریان Q ، تابعی از شعاع لوله R ، لزجت سیال μ و مقدار افت فشار در راستای طول لوله $\frac{dP}{dx}$ ، فرض شده است. کدام گزینه گروه یا گروه های بی بعد حاکم بر این مسأله را نشان می دهد؟

$$\frac{Q\mu}{R^4 \left(\frac{dP}{dx}\right)} \quad (2) \qquad \frac{\rho u L}{\mu} \quad (1)$$

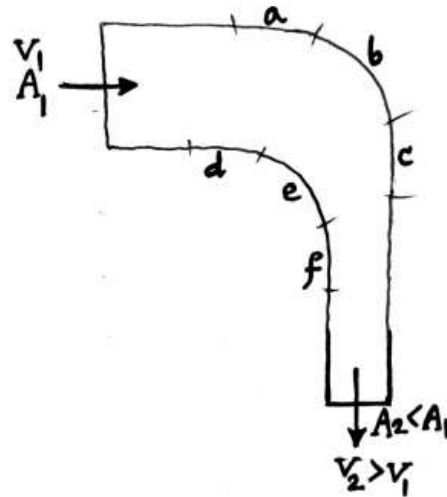
$$\frac{\rho u L}{\mu} \text{ و } \frac{Q\mu}{R^4 \left(\frac{dP}{dx}\right)} \quad (4) \qquad \frac{\rho u L}{\mu} \text{ و } \frac{Q\mu}{R^2 \left(\frac{dP}{dx}\right)} \quad (3)$$

۶۲- شکل زیر محوری به شعاع R را نشان می دهد که در داخل یک یاتاقان و در تماس با یک روغن خاص با سرعت زاویه ثابت Ω دوران می نماید. اگر بخواهیم که سرعت زاویه ای این محور دو برابر شود، توان مورد نیاز باید برابر شود.



- (1) $\sqrt{2}$
- (2) ۲
- (3) ۴
- (4) ۸

۶۳- در مورد جریان سیال ایده آل (غیر لزج، غیر قابل تراکم و غیر چرخشی) درون نازل خمیده مقابل کدام صحیح است؟



- (۱) سیال در نواحی d و c با گرادیان فشار معکوس مواجه است.
- (۲) سیال در نواحی b و e با گرادیان فشار معکوس مواجه است.
- (۳) در جریان داخل نازل گرادیان معکوس فشاری وجود ندارد.
- (۴) سیال در نواحی a و f با گرادیان فشار معکوس مواجه است.

۶۴- توزیع دما در یک دیواره یک بعدی، مطابق شکل زیر است. کدام گزینه صحیح است؟

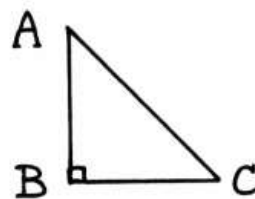


- (۱) شار حرارتی در عرض دیواره ثابت است.
- (۲) ضریب انتقال حرارت هدایتی دیواره با افزایش دما کاهش می یابد.
- (۳) دیواره دارای منبع تولید حرارت بوده و یک سمت آن عایق است.
- (۴) دیواره دارای منبع تولید حرارت بوده و شار حرارتی در جهت X کاهش می یابد.

- ۶۵- اگر در روش ظریف یکپارچه عدد Biot با کم کردن طول مشخصه، نصف شود، زمان رسیدن جسم به دمای مشخص
 (۱) نصف می‌شود.
 (۲) دو برابر می‌شود.
 (۳) به نسبت $\ln 2$ بزرگتر می‌شود.
 (۴) به نسبت e^2 کوچکتر می‌شود. (e عدد نپر)

- ۶۶- در یک میله بلند استوانه‌ای توپر به قطر ۱ سانتی‌متر حرارت به صورت $\frac{W}{m^3} \times 10^4$ تولید می‌شود. اگر ضریب هدایت حرارتی میله $25 \frac{W}{m^{\circ}C}$ باشد، اختلاف دمای مرکز میله و سطح آن چند درجه سانتیگراد است؟
 (۱) ۲۰
 (۲) ۱۶
 (۳) ۱۰
 (۴) ۱۲

- ۶۷- در شکل ضریب شکل تشعشعی سطح AB به AC: F_{AB-AC} ، چقدر است؟ (عمق در جهت عمود بر سطح بی‌نهایت است و $AB = BC = 3m$)



- (۱) $\frac{\sqrt{2}}{3}$
 (۲) $\frac{\sqrt{3}}{3}$
 (۳) $\frac{\sqrt{3}}{2}$
 (۴) $\frac{\sqrt{2}}{2}$

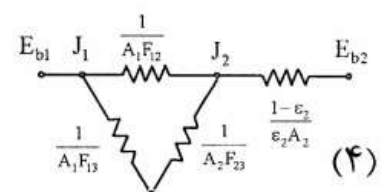
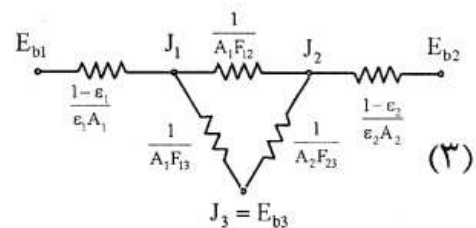
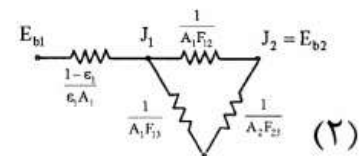
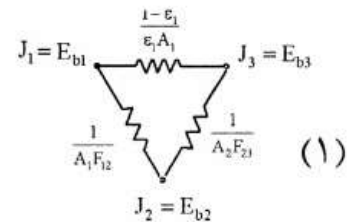
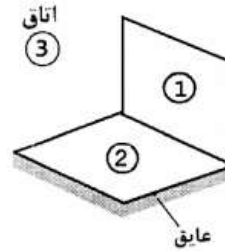
- ۶۸- برای جریان روی صفحه تختی به طول L، ضریب انتقال حرارت موضعی به صورت $\frac{1}{x^2}$ تغییر می‌کند که x فاصله از لبه ابتدایی صفحه می‌باشد. نسبت عدد نوسلت متوسط برای کل صفحه به عدد نوسلت موضعی در $x = L$ ، یعنی $\frac{\overline{Nu}_L}{Nu_L}$ چقدر است؟

- (۱) ۲
 (۲) ۱
 (۳) $\frac{2}{L}$
 (۴) $\frac{L}{2}$

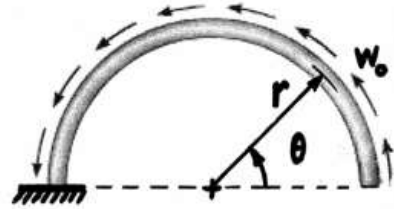
- ۶۹- عدد بی بعد گراشف نسبت نیروی در سیستم جابجایی آزاد است. نقش آن مانند عدد است و به عنوان معیاری برای گذار از جریان به کار می‌رود.

- (۱) لزجت به نیروی شناوری - رینولدز در جابجایی اجباری - آرام به متلاطم
 (۲) شناوری به نیروی لزجت - رینولدز در جابجایی اجباری - آرام به متلاطم
 (۳) شناوری به نیروی لزجت - ماخ در جریان تراکم‌پذیر - فرو صوت به فراصوت
 (۴) لزجت به نیروی شناوری - ماخ در جریان تراکم‌پذیر - فرو صوت به فراصوت

۷۰- کدام گزینه شبکه تابشی دو سطح مستطیلی زیر را، که به صورت عمود بر هم و در حال موازنه تابشی با اتاق بزرگی هستند، به درستی نشان میدهد؟ سطح (۱) دارای دمای T_1 با ضریب گسیل ϵ_1 بوده و سطح (۲) عایق بندی شده است.

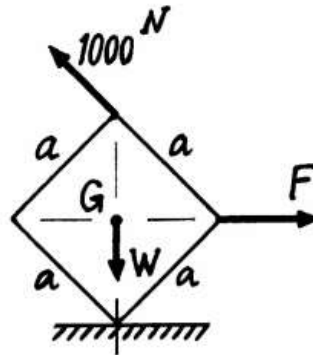


۷۱- قوس نیم دایره زیر در معرض بار گسترده‌ی یکنواخت با شدت w_0 بر واحد طول قرار دارد. نسبت نیروی محوری به نیروی برشی در مقطع θ برابر با کدام است؟



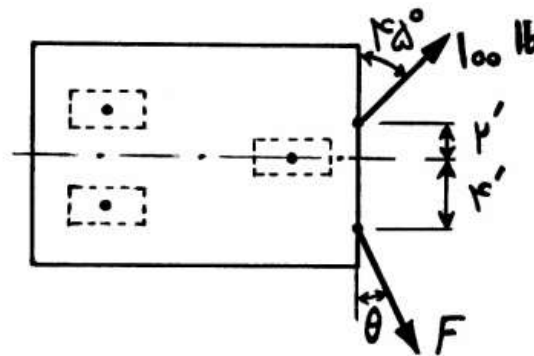
- (۱) $\frac{\sin \theta}{1 - \cos \theta}$
- (۲) $\frac{\cos \theta}{1 - \sin \theta}$
- (۳) $\frac{\sin \theta}{1 + \cos \theta}$
- (۴) $\frac{\cos \theta}{1 + \sin \theta}$

۷۲- جعبه مکعب شکل زیر از روی یک بال روی زمین قرار گرفته است. در وضعیت تعادل، برآیند F و نیروی 1000 نیوتنی، چند نیوتن است؟



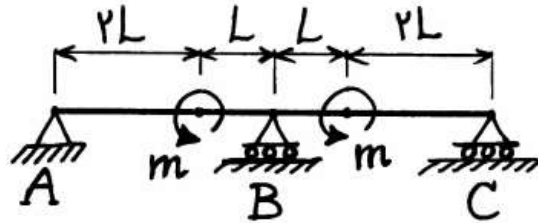
- (۱) 1000
- (۲) $1000\sqrt{2}$
- (۳) $1000\sqrt{3}$
- (۴) $1000\sqrt{5}$

۷۳- مقادیر F و θ چقدر باشند تا کالسکه زیر بدون انحراف به سمت جلو حرکت نماید؟ (فرض بر آن است که هریک از چرخ‌ها بتواند پیرامون محور قائم گذرنده از مرکز آن، دوران کامل نماید)



- (۱) $F = 100 \text{ lb}$ و $\theta = 45^\circ$
- (۲) $F = 200 \text{ lb}$ و $\theta = 45^\circ$
- (۳) $F = 68.2 \text{ lb}$ و $\theta = 30^\circ$
- (۴) $F = 79.1 \text{ lb}$ و $\theta = 26.56^\circ$

۷۴- عکس العمل در تکیه‌گاه A چقدر است؟



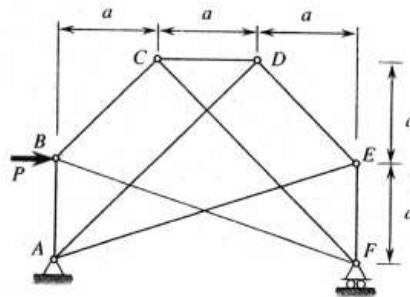
(۱) $\frac{2m}{L}$

(۲) $\frac{m}{L}$

(۳) $\frac{2m}{3L}$

(۴) $\frac{m}{3L}$

۷۵- نیرو در عضو EF در خرپای زیر چند برابر P می‌باشد؟



(۱) $\frac{1}{3}$

(۲) $\frac{1}{2}$

(۳) $\frac{2}{3}$

(۴) ۱

۷۶- دو میلهٔ یکنواخت به جرم m و طول l مطابق شکل از طریق یک فنر بیجشی به ضریب سختی K در وضعیت قائم نگهداری می‌شوند. شرط پایداری تعادل سیستم کدام است؟ (در وضعیت نشان داده شده فنر بدون بار است.)



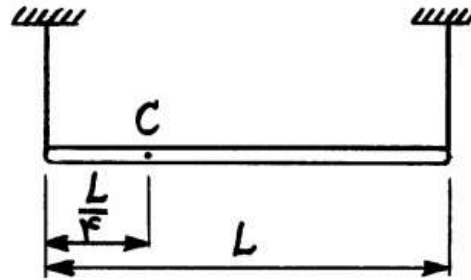
(۱) $K > mgl$

(۲) $K > \frac{1}{2}mgl$

(۳) $K < mgl$

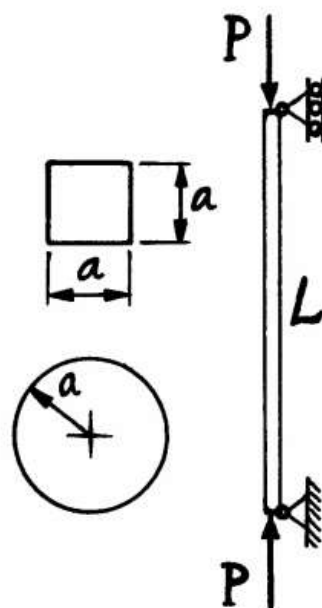
(۴) $K < \frac{1}{2}mgl$

۷۷- میله یکنواختی به طول L توسط دو طناب در دو انتهای آن نگهداری شده و کشش هر طناب 60 N است. اگر به جای طناب انتهای چپ، از تکیه‌گاه ساده‌ای در نقطه C به فاصله $\frac{L}{4}$ از این انتها استفاده شود، کشش طناب طرف راست چند نیوتن خواهد بود؟



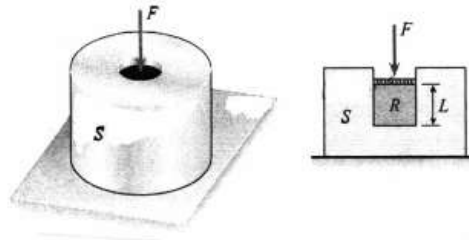
- (۱) ۲۰
- (۲) ۴۰
- (۳) ۶۰
- (۴) ۱۲۰

۷۸- دو ستون دو سر لولا از یک جنس به طول L با دو مقطع مربع $(a \times a)$ و دایره (به شعاع a) تحت فشار محوری P قرار دارند. نسبت بار بحرانی ستون با مقطع مربع به بار بحرانی ستون با مقطع دایره $\left(\frac{P_{cr \text{ مربع}}}{P_{cr \text{ دایره}}}\right)$ چقدر است؟



- (۱) $\frac{1}{3\pi}$
- (۲) $\frac{\pi}{3}$
- (۳) $\frac{2}{\pi}$
- (۴) ۱

۷۹- یک استوانه لاستیکی به شعاع R و طول L و مقطع عرضی A داخل یک استوانه فولادی S با نیروی F که به طور یکنواخت فشار را به لاستیک اعمال می‌کند، فشرده می‌شود. مقدار کوتاه شدگی استوانه لاستیکی چند برابر $\frac{FL}{EA}$ است؟



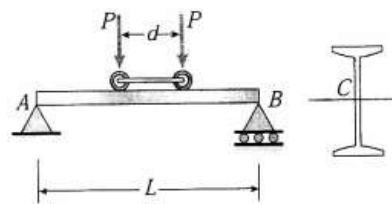
(۱) $\frac{(1-\nu)(1-2\nu)}{(1+\nu)}$

(۲) $\frac{(1+\nu)(1-2\nu)}{(1-\nu)}$

(۳) $\frac{(1-\nu)(1+2\nu)}{(1+\nu)}$

(۴) $\frac{(1+\nu)(1+2\nu)}{(1-\nu)}$

۸۰- تیر ساده AB به طول دهانه L ، مطابق شکل در معرض دو بار متحرک P که می‌توانند در راستای طول تیر جابجا شوند، قرار دارد. فاصله دو نیرو مساوی d و ممان اینرسی و مدول مقطع تیر به ترتیب S و I می‌باشند. حداکثر تنش خمشی به واسطه بارهای متحرک چند برابر $\frac{PL}{S}$ می‌باشد؟



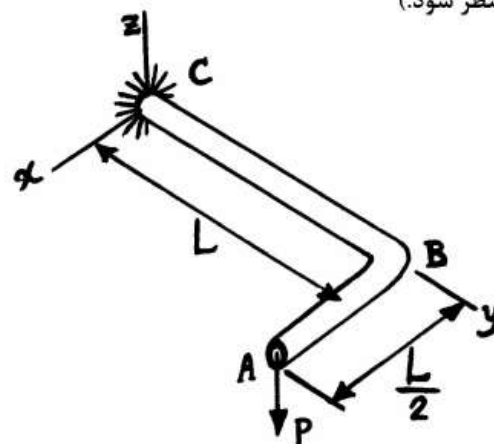
(۱) $4\left(1 - \frac{d}{2L}\right)^2$

(۲) $2\left(1 - \frac{d}{2L}\right)^2$

(۳) $\frac{1}{2}\left(1 - \frac{d}{2L}\right)^2$

(۴) $\frac{1}{4}\left(1 - \frac{d}{2L}\right)^2$

۸۱- لوله افقی زیر در نقطه C به دیوار ثابت شده و در نقطه A تحت اثر نیروی عمودی P به سمت پایین قرار گرفته است. چنانچه طول قسمت‌های AB و BC دو برابر شوند، تغییر مکان عمودی نقطه A چند برابر می‌شود؟ (از اثر برش عرضی صرف‌نظر شود.)



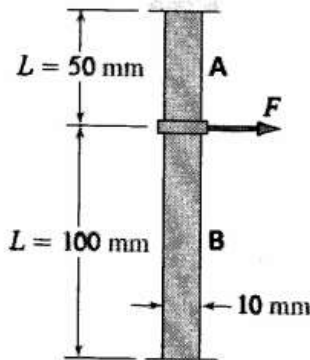
(۱) ۱

(۲) ۲

(۳) ۴

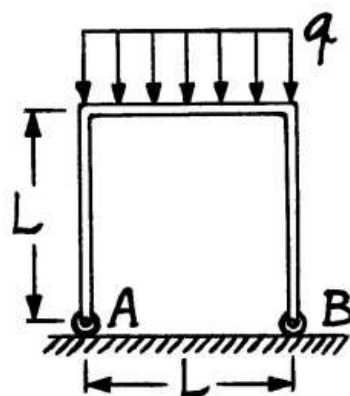
(۴) ۸

۸۲- یک صفحه صلب به دو قطعه لاستیکی A و B با مدول برشی 1 MPa و به ابعاد $10 \text{ mm} \times 10 \text{ mm}$ متصل شده است. صفحه صلب مقید به جابجایی افقی در صورت اعمال نیروی F می‌باشد. در صورتی که جابجایی افقی صفحه برابر با 5 mm باشد، با فرض توزیع یکنواخت تنش برشی در قطعات لاستیکی، میزان نیروی اعمالی F چند نیوتن است؟



- (۱) $1/5$
- (۲) ۲
- (۳) $2/5$
- (۴) $3/5$

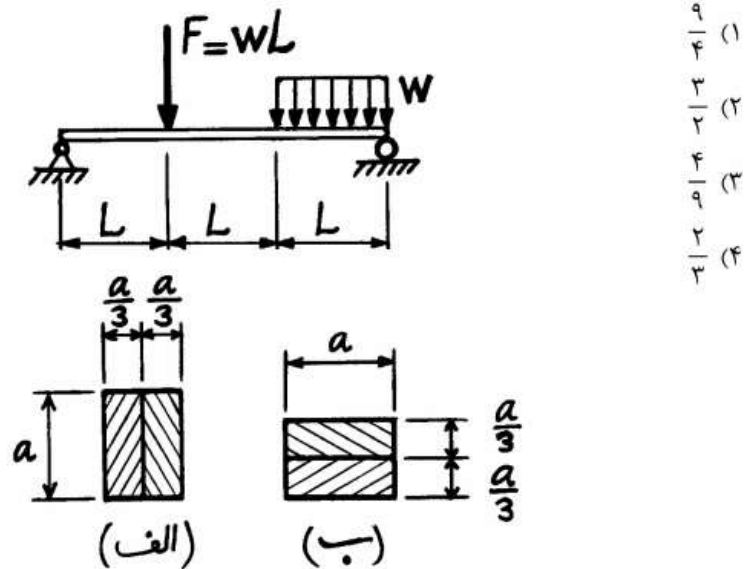
۸۳- جسم زیر از سه ضلع بسیار نازک با طول L و مدول خمشی EI ساخته شده است. پایه‌های A و B به صورت چرخ‌های بدون اصطکاک در تماس با زمین هستند. در اثر بار گسترده یکنواخت نشان داده شده با شدت q، میزان افزایش



فاصله AB چند برابر $\frac{qL^4}{EI}$ است؟

- (۱) $\frac{1}{12}$
- (۲) $\frac{1}{6}$
- (۳) $\frac{1}{4}$
- (۴) $\frac{5}{12}$

۸۴- تیر زیر بر روی دو تکیه‌گاه ساده تحت بارگذاری قرار دارد. این تیر با استفاده از تسمه‌های فولادی به ابعاد $a \times \frac{a}{3}$ ساخته شده است. نسبت خیز بیشینه در حالت (الف) چند برابر خیز بیشینه در حالت (ب) می‌باشد؟



۸۵- براساس مدل پتروف، در یاتاقانی که شرط لایه ضخیم روانکار ارضاء شده باشد، با نصف شدن بار شعاعی روی شافت، ضریب اصطکاک چگونه تغییر می‌کند؟

- (۱) نصف می‌شود.
 (۲) ثابت می‌ماند.
 (۳) دو برابر می‌شود.

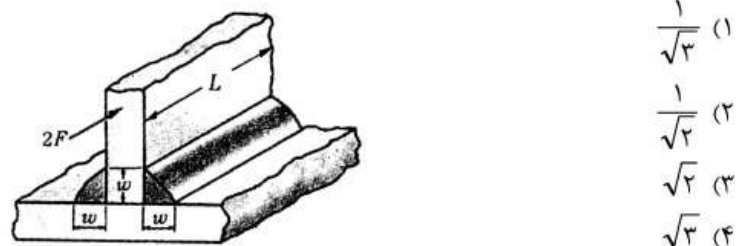
(۴) چون ممکن است شرط لایه ضخیم دیگر برقرار نباشد، نمی‌توان پاسخ داد.

۸۶- برای انتقال توان ۱ اسب بخار پیشنهاد شده، از چرخنده‌های ساده (spur gears) استفاده شود. سرعت ورودی ۱۷۵ rpm و سرعت خروجی ۳۵ rpm است.

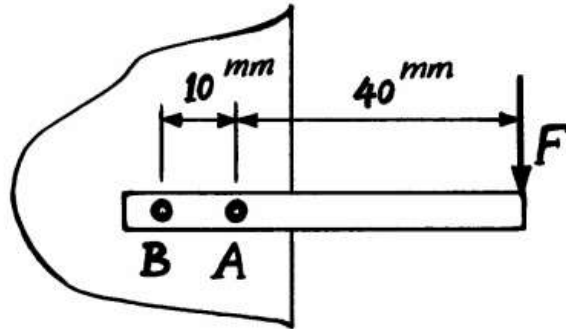
حداقل تعداد دندانه ۱۵ عدد است. طراحی خود را براساس حداقل فاصله مراکز انجام دهید. حداقل فاصله مراکز چند اینچ است؟ (محورهای ورودی و خروجی باید در یک جهت قرار بگیرند.)

- (۱) $\frac{3}{75}$
 (۲) $\frac{4}{5}$
 (۳) ۵
 (۴) $\frac{5}{25}$

۸۷- نیروی مجاز بر واحد طول، برای جوش گوشه‌ای دو طرفه زیر چند برابر $WL\tau_{all}$ است؟ (نیروی اعمالی موازی راستای خط جوش است و از خمش صرف نظر شود.)



۸۸- در اتصال زیر، پرچ‌ها یک اندازه و از یک جنس ساخته شده‌اند. نسبت ضریب ایمنی پرچ A چند برابر ضریب ایمنی پرچ B است؟



- (۱) $\frac{9}{11}$
- (۲) ۱
- (۳) $\frac{11}{9}$
- (۴) ۴

۸۹- دو فنر فشاری از سیم کرم-وانادیم با قطر $\frac{1}{6}$ mm ساخته شده‌اند. فنر اول ده کوئل دارد و قطر میانگین آن ۲۰ mm است. فنر دوم پنج کوئل دارد و قطر میانگین آن ۴۰ mm است. نسبت سختی فنر اول به فنر دوم کدام است؟

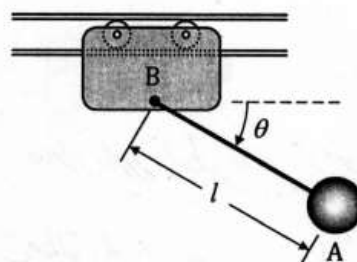
- (۱) ۸
- (۲) ۴
- (۳) ۲
- (۴) $\frac{1}{4}$

۹۰- یک بلبرینگ ساده برای بار شعاعی F_r و عمر L با ضریب اطمینان (ضریب بار) S در حالت پوسته ثابت و شافت چرخنده طراحی شده است. در صورتی که پس از $\frac{L}{3}$ دور شافت ثابت گشته و پوسته بچرخد، ضریب اطمینان طراحی برای همان عمر L چقدر خواهد بود؟

- (۱) $0.83S$
- (۲) $0.9S$
- (۳) $1.11S$
- (۴) $1.02S$

دینامیک و ارتعاشات (دینامیک، ارتعاشات، دینامیک ماشین، کنترل)

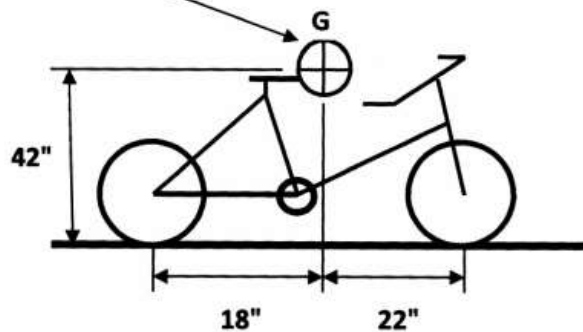
۹۱- پاندول ساده A به طول l و جرم ذره‌ای، به گاری B که در راه‌گاه افقی حرکت می‌کند، متصل شده است. مجموعه از حالت سکون در $\theta = 0^\circ$ رها می‌شود. اگر جرم‌های A و B یکسان و برابر m باشند، سرعت زاویه‌ای ریسمان پاندول در $\theta = 90^\circ$ چند برابر $\sqrt{g/l}$ است؟ (g شتاب جاذبه است).



- (۱) صفر
- (۲) $\frac{\sqrt{2}}{2}$
- (۳) $\sqrt{2}$
- (۴) ۲

۹۲- دوچرخه‌سواری که با سرعت ۱۵ مایل بر ساعت در حرکت است، از ترمز چرخ جلو برای توقف استفاده می‌کند. او امیدوار است که با این عمل به سمت جلو پرتاب نگردد. کوتاهترین مسافت ایمن برای ایست کامل به طوری که چرخ عقب تماس خود را با زمین قطع نکند، چند فوت است؟ (یک مایل برابر 6×10^3 فوت و شدت جاذبه برابر $32/2$ فوت بر مجذور ثانیه می‌باشند.)

مرکز جرم دوچرخه و دوچرخه‌سوار



(۱) $8/45$

(۲) $10/5$

(۳) $14/35$

(۴) $16/7$

۹۳- در دینامیک اجسام صلب لنگر حرکتی H_c معمولاً نسبت به مرکز جرم و دستگاهی که به جسم در این نقطه نصب شده است، محاسبه می‌شود. اگر M_c لنگر نیروهای خارجی نسبت به این نقطه باشد، کدام گزینه صحیح است؟

(۱) $M_c = \left[\frac{d}{dt} H_c \right]$ دستگاه مطلق

(۲) $M_c = \left[\frac{d}{dt} H_c \right] + \omega \times H_c$ دستگاه متحرک

(۳) $M_c = \left[\frac{d}{dt} H_c \right] + H_c \times \omega$ دستگاه متحرک

(۴) هیچ کدام

۹۴- زنجیری به جرم m و به طول L طوری نگهداری شده است که انتهای تحتانی آن با زمین در تماس است. نیروی عکس‌العمل زمین بعد از آنکه زنجیر به اندازه x سقوط کرده، چقدر است؟



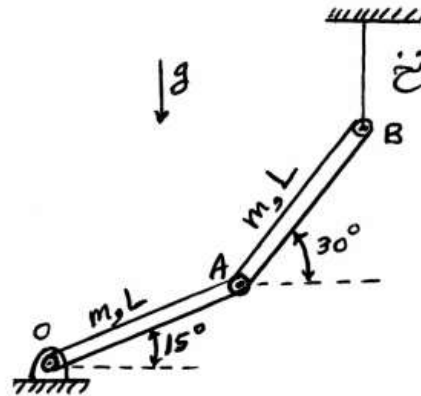
(۱) $mg \frac{x}{L}$

(۲) $2mg \frac{x}{L}$

(۳) $3mg \frac{x}{L}$

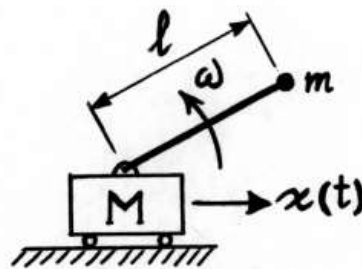
(۴) $4mg \frac{x}{L}$

۹۵- در شکل زیر، در لحظه‌ای که نخ پاره می‌شود، $V_B = 0.1 \frac{m}{s}$ و در امتداد قائم به سمت پایین می‌باشد. سرعت زاویه‌ای میله OA در همین لحظه چند رادیان بر ثانیه است؟ ($L = 0.6 m$, $\sin 15^\circ = 0.259$)



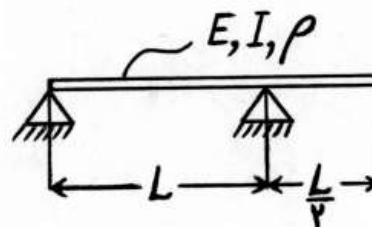
- ۰.۵ (۱)
- ۰.۳۲ (۲)
- ۰.۲۵ (۳)
- ۰.۱۶۷ (۴)

۹۶- معادله حرکت سیستم زیر در جهت x کدام است؟ (ω ثابت فرض شود).



- (۱) $\ddot{x} = l\omega^2 \cos \omega t$
- (۲) $\ddot{x} = l\omega^2 \sin \omega t$
- (۳) $M\ddot{x} = ml\omega^2 \cos \omega t$
- (۴) $(M+m)\ddot{x} = ml\omega^2 \cos \omega t$

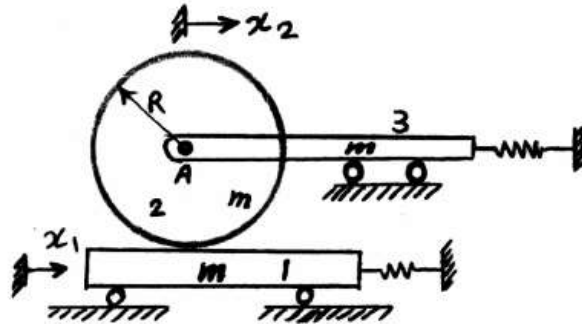
۹۷- برای تعیین فرکانس اول تیر زیر با استفاده از روش ریلی، کدام جواب برای شکل مود اول مناسب است؟ (فرض کنید y_t تغییر مکان نقطه وسط بین دو تکیه‌گاه باشد).



- (۱) $y = \left(1 - \cos \frac{\pi x}{\sqrt{L}}\right) y_t$
- (۲) $y = \left(\frac{3x^2 L - x^3}{2L^2}\right) y_t$
- (۳) $y = \left[\frac{3x}{L} - 4\left(\frac{x}{L}\right)^2\right] y_t$
- (۴) $y = \left[\frac{4\left(x - \frac{L}{4}\right)^2}{L^2} - 1\right] y_t$

۹۸-

در سیستم ارتعاشی زیر، دو دیسک ۲ با توزیع جرم یکنواخت و شعاع R بر روی قطعه ۱ بدون لغزش می‌غلتند. جرم دیسک ۲ و قطعات ۱ و ۳ برابر m است. اگر x_1 و x_2 به ترتیب جابه‌جایی مطلق قطعه ۱ و لولای A باشند، انرژی جنبشی سیستم کدام است؟



$$\frac{1}{2}m\dot{x}_1^2 + m\dot{x}_2^2 \quad (1)$$

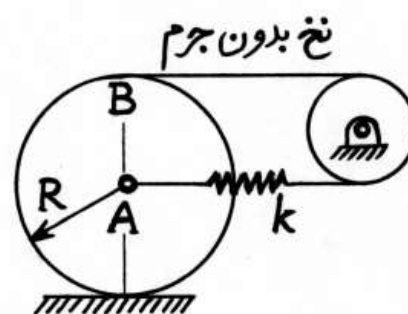
$$m\dot{x}_1^2 + \frac{3}{2}m\dot{x}_2^2 - m\dot{x}_1\dot{x}_2 \quad (2)$$

$$\frac{3}{4}m\dot{x}_1^2 + \frac{5}{4}m\dot{x}_2^2 - \frac{1}{2}m\dot{x}_1\dot{x}_2 \quad (3)$$

$$\frac{5}{4}m\dot{x}_1^2 + \frac{7}{4}m\dot{x}_2^2 - \frac{3}{2}m\dot{x}_1\dot{x}_2 \quad (4)$$

۹۹-

مرکز دیسک همگنی به جرم m و شعاع R به فنر k و نقطه B بالای آن به نخ بدون جرم متصل است. نخ فوق پس از چرخیدن نیم دور بدور قرقره بدون جرم سمت راست به فنر متصل شده است. فرکانس طبیعی سیستم، در صورتی که حرکت دیسک روی زمین غلتش ناب باشد، کدام است؟



$$\sqrt{\frac{6k}{m}} \quad (1)$$

$$\sqrt{\frac{2k}{m}} \quad (2)$$

$$\sqrt{\frac{2k}{3m}} \quad (3)$$

$$3\sqrt{\frac{2k}{m}} \quad (4)$$

۱۰۰-

در سیستم ارتعاشی خطی یک درجه آزادی زیر میرا با افزایش جرم عضو ذخیره‌کننده انرژی جنبشی، فرکانس طبیعی چگونه تغییر می‌کند؟

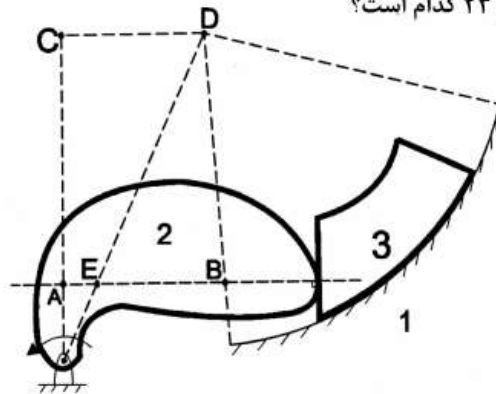
(۱) کاهش می‌یابد.

(۲) تغییری نمی‌کند.

(۳) افزایش می‌یابد.

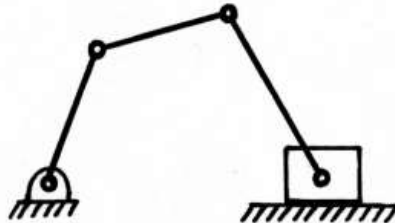
(۴) علاوه بر جرم عضو ذخیره‌کننده انرژی جنبشی به سایر مشخصات سیستم نیز بستگی دارد.

۱۰۱- در شکل زیر، لغزنده ۳ روی سطح دایروی به مرکز D می‌لغزد و با بادامک ۲ در تماس است. مرکز آنی دوران ۲۳ کدام است؟



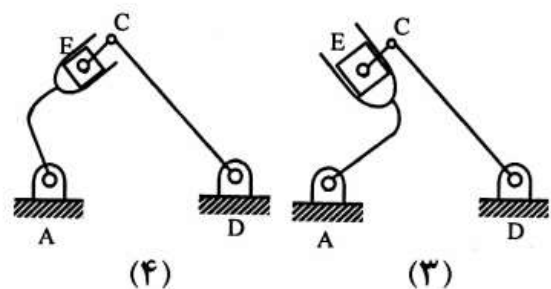
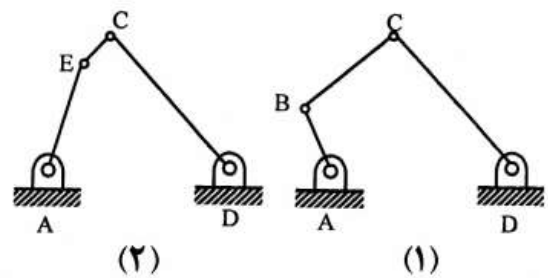
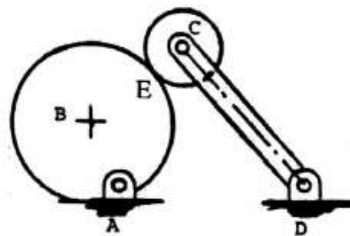
- (۱) نقطه A
- (۲) نقطه B
- (۳) نقطه D
- (۴) نقطه E

۱۰۲- مکانیزم مقابل دارای تعداد مرکز آنی دوران بوده و محل آن‌ها را می‌توان تعیین کرد.

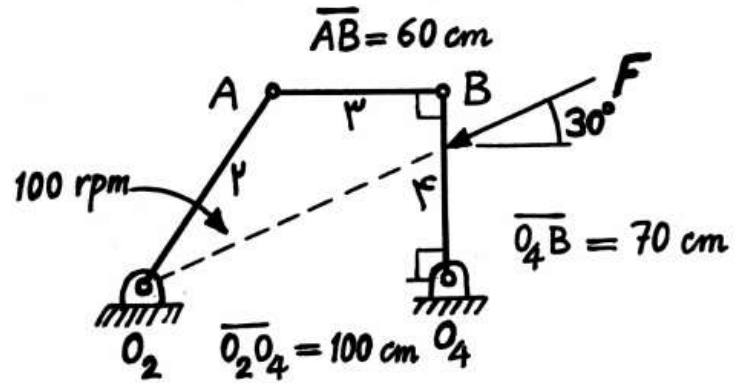


- (۱) ۶ - تمامی
- (۲) ۶ - بعضی از
- (۳) ۱۰ - تمامی
- (۴) ۱۰ - بعضی از

۱۰۳- کدام مکانیزم با روبه‌رو معادل است؟

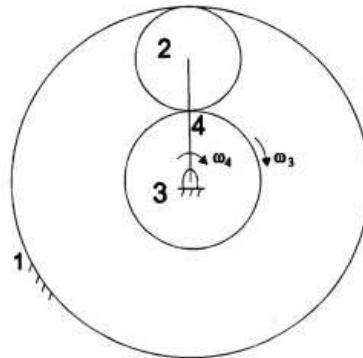


۱۰۴- در مکانیزم زیر نیروی $F = 10^5 \text{ N}$ به رابط ۴ وارد می‌شود. برای مقابله با این نیرو، توان روی محور رابط ۲ تقریباً چند کیلووات است؟ (سرعت دوران ۲ را معادل 100 rpm در نظر بگیرید.)



- (۱) 500
- (۲) 1000
- (۳) 10^5
- (۴) 10^6

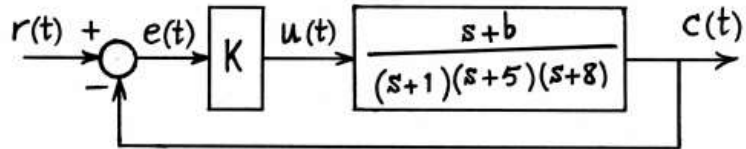
۱۰۵- در شکل زیر، چرخ دنده ۱ ثابت است. تعداد دندانه‌های چرخ دنده‌های ۲ و ۳ به ترتیب N_2 و N_3 می‌باشد. نسبت سرعت زاویه‌ای چرخ دنده ۳ به سرعت زاویه‌ای بازوی ۴، چقدر است؟



چقدر است؟ $\frac{\omega_3}{\omega_4}$

- (۱) $1 - \frac{N_2}{N_3}$
- (۲) $1 + \frac{N_2}{N_3}$
- (۳) $2(1 + \frac{N_2}{N_3})$
- (۴) $2(1 - \frac{N_2}{N_3})$

۱۰۶- در سیستم زیر کدام پاسخ صحیح است؟ $r(t)$ ورودی مبنای پله‌ای واحد، b حقیقی و بزرگتر از صفر و K کمیتی مثبت و محدود است.



- (۱) می‌توان بهره کنترل کننده را طوری تعیین کرد که خطای حالت ماندگار صفر شود.
- (۲) می‌توان پارامتر b را طوری تعیین کرد که سیستم مدار بسته برای همه مقادیر K پایدار باشد.
- (۳) به ازای همه مقادیر b و K ، سیستم مدار بسته دارای دو قطب مسلط مختلط مزدوج است.
- (۴) عکس‌العمل سیستم مدار باز به ازای $K = 1$ و پله‌ای واحد نهایتاً مساوی واحد می‌شود.

۱۰۷- در یک سیستم خطی با معادله حالت زیر و شرایط اولیه صفر، به ازای ورودی پله واحد مقدار $y(t)$ در حالت پایا (y_{ss}) چقدر است؟

$$\begin{cases} \dot{\mathbf{x}} = \begin{bmatrix} -5 & 1 \\ -3 & -1 \end{bmatrix} \mathbf{x} + \begin{bmatrix} 0 \\ 1 \end{bmatrix} \mathbf{u} \\ \mathbf{y} = \mathbf{x} \end{cases}$$

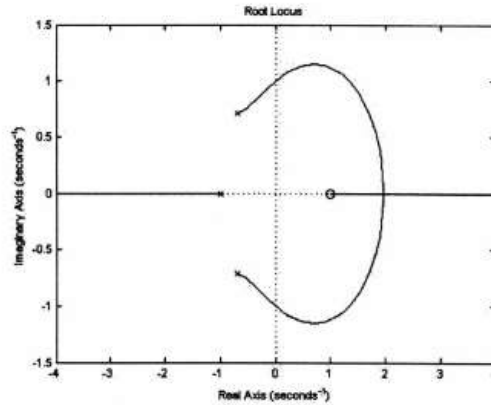
$$\begin{bmatrix} -\frac{5}{8} \\ \frac{1}{8} \end{bmatrix} \quad (۲)$$

$$\begin{bmatrix} -\frac{1}{8} \\ -\frac{5}{8} \end{bmatrix} \quad (۱)$$

$$\begin{bmatrix} \frac{5}{8} \\ \frac{1}{8} \end{bmatrix} \quad (۴)$$

$$\begin{bmatrix} \frac{1}{8} \\ \frac{5}{8} \end{bmatrix} \quad (۳)$$

۱۰۸- مکان هندسی زیر مربوط به سیستم با تابع تبدیل حلقه باز و فیدبک می باشد.



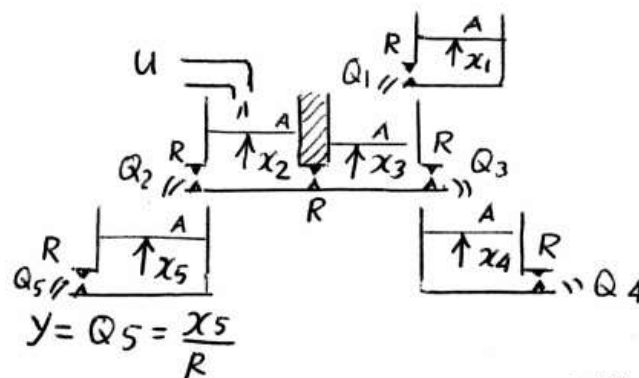
(۱) غیرمینیم فاز - $\frac{s-1}{(s+1)(s^2+1/4s+1)}$ - منفی

(۲) غیرمینیم فاز - $\frac{s-1}{(s+1)(s^2+1/4s+1)}$ - مثبت

(۳) مینیم فاز - $\frac{1-s}{(s+1)(s^2+1/4s+1)}$ - مثبت

(۴) مینیم فاز - $\frac{1-s}{(s+1)(s^2+1/4s+1)}$ - منفی

۱۰۹- با فرض خطی بودن دبی خروجی از ظرفهای سیستم مقابل همه سطح مقطعها مساوی هم و برابر با $A=1$ و همه مقاومتهای شیرهای خروجی $R=1$ است. تابع تبدیل این سیستم کدام است؟



(۱) $\frac{s+2}{(s+1)(s+2)^2}$

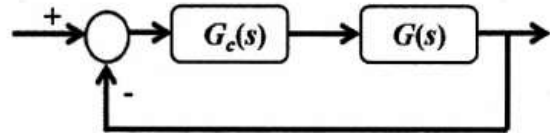
(۲) $\frac{s+2}{(s+1)^2(s+2)}$

(۳) $\frac{1}{(s+1)(s+2)(s+3)(s+4)(s+5)}$

(۴) $\frac{1}{(s+1)(s+2)^2}$

۱۱۰- سیستم حلقه بسته زیر در چه صورت پایدار است؟

$$\begin{cases} G(s) = \frac{1}{(s-a)(s+b)} \\ G_c(s) = k(s+c) \\ a, b, c, k > 0 \end{cases}$$



$$k > \min\left\{a - b, \frac{ab}{c}\right\} \quad (۲) \qquad k > \max\left\{a - b, \frac{ab}{c}\right\} \quad (۱)$$

$$k < \max\left\{a - b, \frac{ab}{c}\right\} \quad (۴) \qquad k < \min\left\{a - b, \frac{ab}{c}\right\} \quad (۳)$$

ساخت و تولید (ماشین‌ابزار، قالب‌پرس، علم مواد، ماشین‌های کنترل عددی، اندازه‌گیری، تولید مخصوص، هیدرولیک و نیوماتیک، مدیریت تولید)

۱۱۱- یک قطعه استوانه‌ای با قطر ۱۲۵ mm و طول ۹۰۰ mm با دستگاه تراش تا

قطر ۱۲۱ mm تراشیده می‌شود. در صورتی که سرعت برش $\frac{2}{5} \frac{m}{s}$ و میزان

پیشروی $\frac{3}{rev} \frac{mm}{s}$ باشد، زمان ماشین‌کاری (برحسب دقیقه) و نرخ برداشت فلز

(برحسب $\frac{mm^3}{s}$) به ترتیب از راست به چپ کدام‌اند؟

$$۳۰۰۰ \text{ و } \frac{3}{9} \quad (۲) \qquad ۱۵۰۰ \text{ و } \frac{3}{9} \quad (۱)$$

$$۳۰۰۰ \text{ و } \frac{7}{8} \quad (۴) \qquad ۱۵۰۰ \text{ و } \frac{7}{8} \quad (۳)$$

۱۱۲- در عملیات تراشکاری قطعه‌ای به قطر ۴۰ میلی‌متر و طول ۲۰ سانتی‌متر،

سرعت برشی ۳۱۴ متر بر دقیقه و سرعت پیشروی ۲ میلی‌متر بر دور انتخاب

شده‌اند. زمان مورد نیاز برای یک پاس ماشین‌کاری چند ثانیه است؟

$$۲۴ \quad (۲) \qquad ۰,۰۰۶ \quad (۱)$$

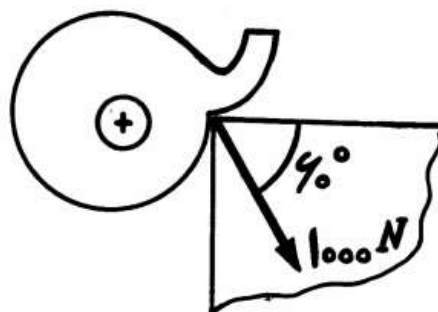
$$۱۰۰۰ \quad (۴) \qquad ۱۲۰ \quad (۳)$$

۱۱۳- قطعه‌کاری در حالت متعامد تراشیده می‌شود. توان ماشین‌کاری چند وات است؟ (عرض

براده ۲ mm، سرعت دوران ۶۰۰ rpm، قطر قطعه کار ۲۰ mm، پیشروی بر دور

۲ mm، زاویه براده ابزار صفر درجه و نیروی برآیند وارده بر ابزار معادل ۱۰۰۰ N

اندازه‌گیری شده است.)



$$۳۱۴ \quad (۱)$$

$$۵۴۴ \quad (۲)$$

$$۸۶۶ \quad (۳)$$

$$۳۲۰۰۰ \quad (۴)$$

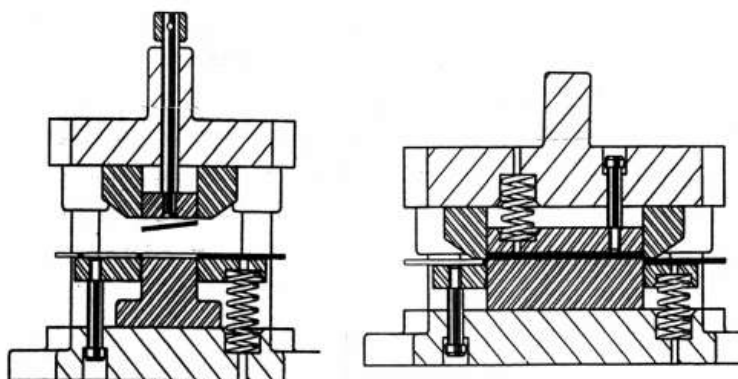
۱۱۴- با در نظر گرفتن 20° درصد افزایش نیرو، ظرفیت پرس مورد نیاز برای سوراخ‌زنی به قطر 12 mm با لبه برش تخت، روی یک ورق فولادی به ضخامت 10 mm چند تن است؟ (تنش برشی نهایی 380 MPa است.)

- (۱) 10 (۲) 15
(۳) 20 (۴) 25

۱۱۵- در پرسکاری ورق‌های فلزی کدام گزینه صحیح‌تر است؟

- (۱) در عملیات بلانکینگ فقط استفاده از پرس‌های مکانیکی توصیه می‌شود.
(۲) پرس‌های هیدرولیکی بیشتر برای عملیات کشش عمیق و بلانکینگ، برش، استفاده می‌شوند.
(۳) برای مواردی که احتیاج به تناژ بسیار بالا است، پرس‌های مکانیکی بیشتر از پرس‌های هیدرولیکی استفاده می‌شوند.
(۴) همه موارد فوق

۱۱۶- در شکل زیر، یک قالب با پران مکانیکی و یک قالب با پران فنری ترسیم شده‌اند. کدام گزینه در مورد این پران‌ها صحیح است؟

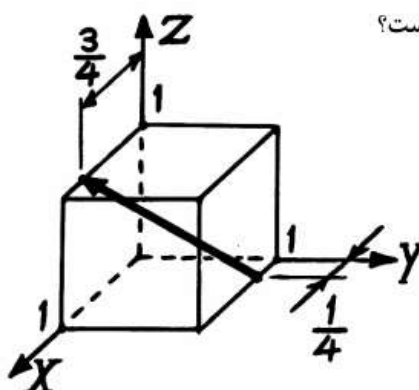


(۱) در قالب‌های برشی مرکب بهتر است از پران فنری به جای پران مکانیکی استفاده شود چون باعث تخت شدن قطعه می‌شود.

(۲) در قالب‌های سنبه پایین یا برش مرکب می‌توان هم از فنر و هم از پران مکانیکی جهت تخلیه قطعه داخل ماتریس استفاده کرد و عموماً پران فنری ترجیح دارد.

(۳) پران مکانیکی عموماً در قالب‌های برش مرکب یا سنبه پایین کاربرد دارند و در این نوع پران قطعه کار پس از باز شدن پرس روی نوار می‌افتد و در تولید انبوه بهتر از پران فنری است.

(۴) در قالب‌های برشی مرکب عموماً استفاده از پران فنری توصیه نمی‌شود زیرا گرانتز از پران مکانیکی است. ولی به علت جلوگیری از اعوجاج و کاسه‌ای شدن قطعه در تولید انبوه قابل استفاده است. حسن پران فنری آن است که قطعه را به داخل نوار برمی‌گرداند.



۱۱۷- اندیس جهت کریستالی مقابل، کدام است؟

(۱) $[1\bar{2}2]$

(۲) $[3\bar{1}4]$

(۳) $[\bar{3}1\bar{4}]$

(۴) هر دو گزینه ۲ و ۳ صحیح است.

۱۱۸- اندیس‌های میلر صفحه‌ای با مشخصات $\infty : \infty : 5$ در یک سلول واحد،

کدام است؟

(۱) $(2 \infty 3)$

(۲) $(3 \infty 2)$

(۳) $(2 \infty 2)$

(۴) $(2 \infty 3)$

۱۱۹- کدام صفحات در شبکه FCC اثر سازنده داشته و در نمودار پراش دیده می‌شوند؟

(۱) $[110]$ ، $[111]$ ، $[200]$

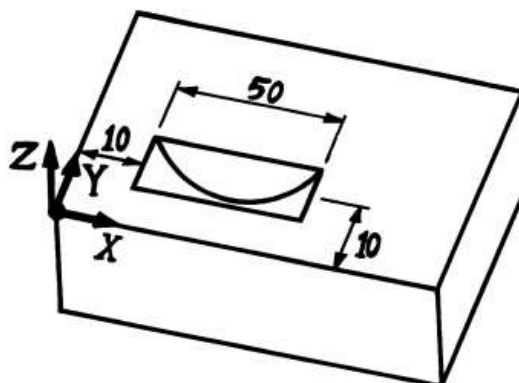
(۲) $[111]$ ، $[200]$ ، $[220]$

(۳) $[110]$ ، $[200]$ ، $[211]$

(۴) $[100]$ ، $[111]$ ، $[211]$

۱۲۰- برنامه ایجاد شیار دایره‌ای به پهنای قطر ابزار در صفحه XZ در شکل زیر، چگونه

نوشته می‌شود؟



G90
G00 X10 Y10 (۱)
G02 X60 Z0 R25 F100

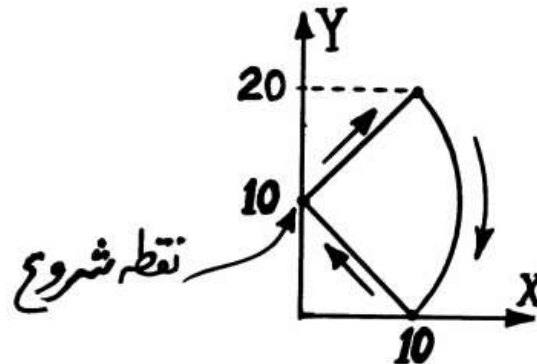
G90
G00 X10 Y10 (۲)
G03 X60 Z0 R25 F100

G91
G00 X10 Y-10 (۳)
G02 X60 Z0 R25 F100

G91
G00 X10 Y10 (۴)
G02 X60 Y0 R25 F100

۱۲۱- برای اینکه نوک ابزار مسیر زیر را بپیماید، از فرمان‌های G-code زیر استفاده می‌شود. جاهای خالی با کدام گزینه پر می‌شوند؟

N001 G01 G90 X10 Y20
N002 G02 X10 Y0
N003 G01 G91



I0 J10
X-10 Y10 (۲)

I0 J10
X0 Y10 (۱)

I-10 J-10
X-10 Y10 (۴)

I-10 J-10
X0 Y10 (۳)

۱۲۲- از دستور Dwell در ماشین‌کاری CNC به چه منظور استفاده می‌شود؟
(۱) بکارگیری مایع خنک‌کننده (۲) کاهش زمان ماشین‌کاری
(۳) فعال کردن سیکل‌های ماشین‌کاری (۴) حذف پلیسه ناخواسته از سطح

۱۲۳- اندازه‌گیری قطر شافت‌های فولادی تولید شده در یک کارگاه ساخت در یک محموله ۲۰۰ عددی، میانگین قطر ۱mm / ۲۵ و انحراف معیار ۰.۲mm / ۰۷ را گزارش می‌دهد. با فرض برقراری توزیع نرمال در اندازه قطر شافت‌ها، چه تعداد از شافت‌ها انتظار می‌رود که قطری بزرگتر از ۵mm / ۲۵ داشته باشند؟

۳ (۲)

۱ (۱)

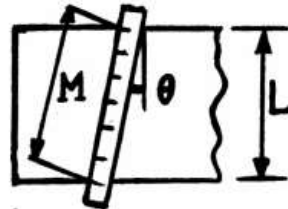
۹ (۴)

۵ (۳)

۱۲۴- اصل تیلور درباره فرمان‌های اندازه‌گیری برو-نرو چگونه بیان می‌شود؟

- (۱) فرمان برو شرط حداقل حد ماده را بررسی می‌کند.
- (۲) فرمان نرو شرط حداکثر حد ماده را بررسی می‌کند.
- (۳) برای هر بعد از قطعه یک فرمان برو جداگانه لازم است.
- (۴) برای هر بعد از قطعه یک فرمان نرو جداگانه لازم است.

۱۲۵- با استفاده از یک خط‌کش فلزی عرض قطعه زیر برابر M اندازه گرفته شده است. در صورتی که اندازه واقعی این بعد برابر L باشد، خطای مطلق این اندازه‌گیری، خطای و برابر با می‌باشد.



- (۱) سیستماتیک یا بایاس - $M(1 - \cos \theta)$
- (۲) سیستماتیک یا بایاس - $M(1 - \sin \theta)$
- (۳) تصادفی یا راندم - $M(1 - \cos \theta)$
- (۴) تصادفی یا راندم - $M(1 - \sin \theta)$

۱۲۶- در فرآیند EDM با مدار RC زبری سطح تحت تأثیر کدام پارامترها قرار دارد؟

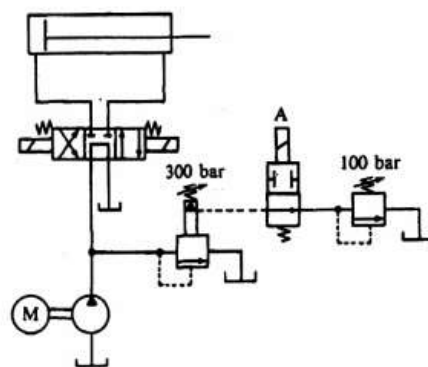
- (۱) مقاومت مدار و ظرفیت خازن
- (۲) ظرفیت خازن و اندازه گپ ماشین‌کاری
- (۳) ولتاژ منبع قدرت DC و مقاومت مدار
- (۴) ولتاژ منبع قدرت DC و ظرفیت خازن

۱۲۷- در جوشکاری توسط اشعه کاتدیک الکترونی کدام یک از موارد زیر صحیح است؟

- (۱) قطعه جوشکاری شده فاقد اثرات نامطلوب حرارتی است.
- (۲) قطعات غیرهم‌جنس فلزی را می‌توان در خلاء به هم متصل نمود.
- (۳) این جوشکاری فقط برای قطعات ظریف و نازک قابل استفاده است.
- (۴) با دانسیته حرارتی پایین می‌توان قطعات ضخیم را به هم متصل نمود.

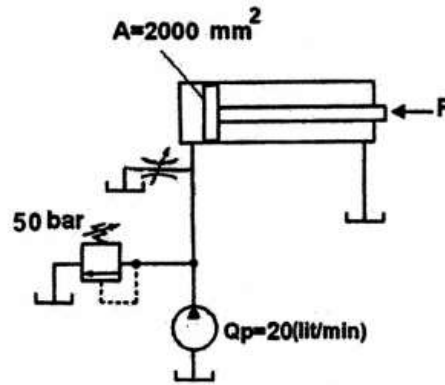
۱۲۸- در مدار زیر فشار تنظیم شیر اطمینان یک مرحله‌ای و دو مرحله‌ای به ترتیب

100 bar و 300 bar است و نیروی مقاوم در برابر حرکت جک وجود ندارد. اگر سولنوئید A فقط در کورس برگشت فعال باشد، فشار پمپ در لحظه توقف جک در انتهای کورس رفت و برگشت، به ترتیب از راست به چپ چند bar می‌باشد؟



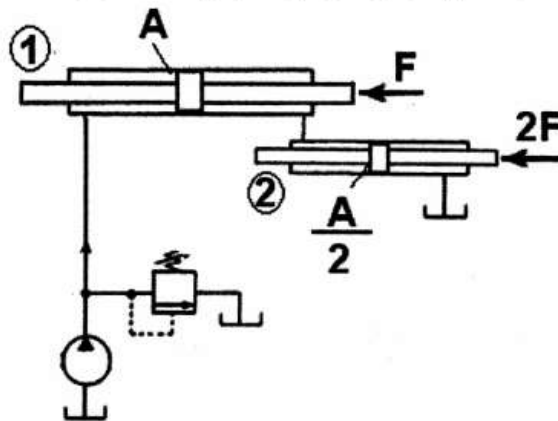
- (۱) 100 و 100
- (۲) 100 و 300
- (۳) 300 و 100
- (۴) 300 و 300

۱۲۹- در مدار زیر سرعت سیلندر $\Delta \frac{m}{min}$ و نیروی خارجی F برابر $9000 N$ می باشد، راندمان سیستم چند درصد است؟



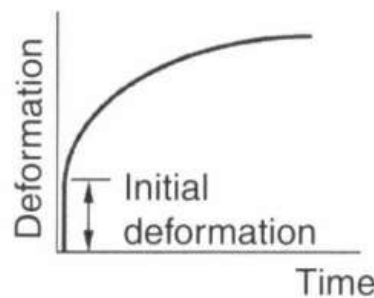
- ۹۰ (۱)
- ۵۵ (۲)
- ۵۰ (۳)
- ۴۵ (۴)

۱۳۰- در مدار زیر، سطح مقطع سیلندر ۲ نصف سطح مقطع سیلندر ۱ است. به سیلندر ۲ نیروی خارجی $2F$ و به سیلندر ۱ نیروی خارجی F وارد می شود. سرعت سیلندر ۲ سرعت سیلندر ۱ و فشار شیر اطمینان می باشد.



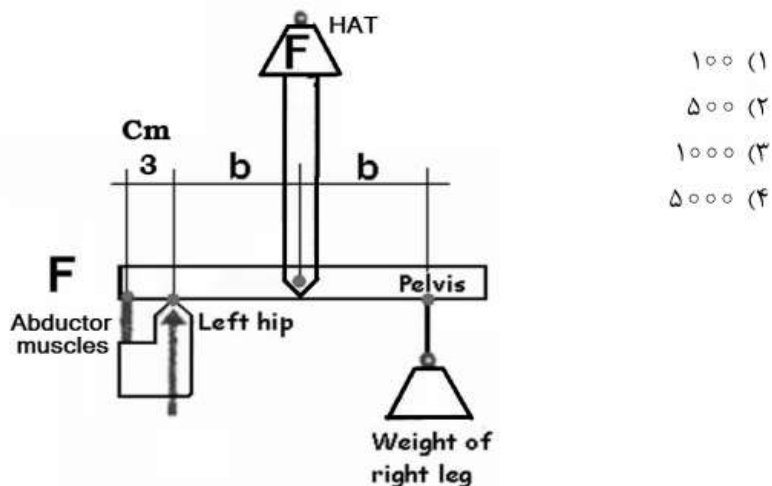
- (۱) نصف - $\frac{2F}{A}$
- (۲) نصف - $\frac{\Delta F}{A}$
- (۳) دو برابر - $\frac{2F}{A}$
- (۴) دو برابر - $\frac{\Delta F}{A}$

- ۱۳۱- عمده‌ترین روش روان‌سازی در مفاصل انسان کدام روش است؟
 (۱) تراوشی
 (۲) ترکیبی
 (۳) لایه فشرده
 (۴) هیدرودینامیکی
- ۱۳۲- در روان‌سازی مفاصل، پمپاژ سیال بین مفصلی به محل تماس به طور عمده به دلیل کدام عامل است؟
 (۱) متخلخل بودن غضروف
 (۲) نیروی عمودی مفصلی
 (۳) تیکسوتراپیک بودن سیال بین مفصلی
 (۴) حرکت مماسی نسبی دو سطح غضروفی
- ۱۳۳- اگر بافتی در محدوده کشسانی خود کشیده شود
 (۱) در ابتدای کشیده شدن سفت‌تر است.
 (۲) پس از مقداری کش آمدن سفت‌تر می‌شود.
 (۳) ابتدا سفتی آن افزایش و سپس کاهش می‌یابد.
 (۴) در طول کشیده شدن از سفتی ثابتی برخوردار است.
- ۱۳۴- در منحنی نیرو - سرعت عضلات حرکتی، شیب منحنی منفی است. یعنی افزایش نیرو به قیمت کاهش سرعت انقباض است. کدام گزینه دلیل این وضعیت را بهتر توجیه می‌نماید؟
 (۱) توان تقریباً ثابت عضله
 (۲) وجود حداکثر نیرو در سرعت صفر
 (۳) وجود حداکثر نیرو در طول استراحت
 (۴) کاهش نیروی بخش غیرفعال عضله
- ۱۳۵- افزایش سرعت بارگذاری در یک بافت نرم به طور عمده موجب کدام وضعیت می‌شود؟
 (۱) افزایش کرنش شکست بافت
 (۲) کاهش ضریب الاستیک بافت
 (۳) کاهش تنش شکست بافت
 (۴) افزایش سفتی بافت
- ۱۳۶- کشیده آنی و سپس کشیده شدن در طول زمان مطابق شکل زیر در پاسخ به بارگذاری اعمالی از مشخصات کدام یک از مدل‌های بافت است؟

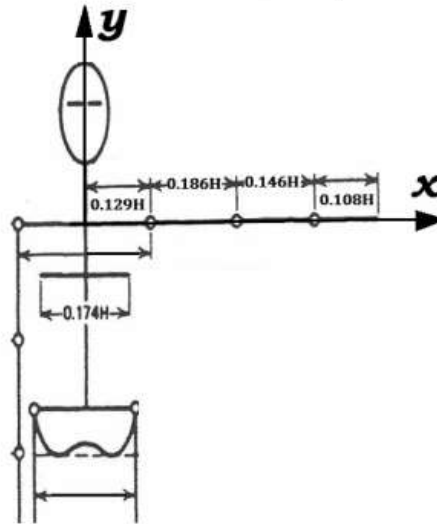


- (۱) مدل کلوین
 (۲) مدل ماکسول
 (۳) مدل سه جزئی شامل مدل کلوین با فتر سری شده
 (۴) مدل سه جزئی شامل مدل کلوین با دمپر سری شده
- ۱۳۷- کدام یک از عوامل زیر در ایجاد تعادل هنگام ایستادن نقش بیش‌تری دارد؟
 (۱) کاهش نوسان مرکز فشار
 (۲) افزایش نوسان مرکز فشار
 (۳) افزایش نوسان مرکز جرم بدن
 (۴) ایجاد گشتاور جبرانی در مفاصل

- ۱۳۸- کدام یک جزو عضلات مجموعه مفصلی شانه نمی باشد؟
 (۱) Latissimus Dorsi
 (۲) Gastrocnemius
 (۳) Terres Minor
 (۴) Supraspinatus
- ۱۳۹- کدام استخوان در مجموعه مفصلی مچ دست قرار ندارد؟
 (۱) Coboid
 (۲) Tripezoid
 (۳) Capitate
 (۴) Trapezium
- ۱۴۰- کدام عضله در دورسی فلکشن مچ پا نقش بیش تری دارد؟
 (۱) Peroneus Brevis
 (۲) Peroneus Longus
 (۳) Peroneus Tertius
 (۴) Tibialis Posterior
- ۱۴۱- کدام عضله در حرکت فلکشن مفصل ران نقش عمده دارد؟
 (۱) Iliopsoas
 (۲) Rectus Femoris
 (۳) Biceps Femoris
 (۴) Gluteus Maximus
- ۱۴۲- کدام عضله راست کننده گردن است؟
 (۱) Splenius Capitis
 (۲) Erector Spinae
 (۳) Internal Obliques
 (۴) Splenius Capitis
- ۱۴۳- شکستگی دو جانبه کامل در Pars interarticularis که منجر به سر خوردگی قدامی مهره ها می شود، کدام است؟
 (۱) Spondylosis
 (۲) Hyperextension
 (۳) Spondylolisthesis
 (۴) Thoracolumbar Scoliosis
- ۱۴۴- در شکل زیر وضعیت اندام های شخصی که در حین حرکت در وضعیت Single Support است، از نمای مقابل نشان داده شده است. نیروی عضلات ابداکتور ران پای Stance چند نیوتن است؟ وزن سر، تنه و دست ها (Head Arm Trunk) ۶۰۰ نیوتن و وزن پای کامل (Total Leg) ۲۰۰ نیوتن است. فاصله محل اتصال عضلات تا مفصل ران ۳ سانتی متر و دو مفصل ران از هم ۳۰ سانتی متر فاصله دارند.

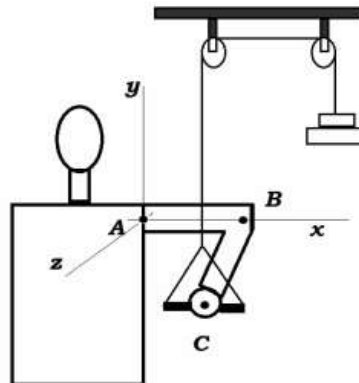


۱۴۵- مختصه x مرکز ثقل کل دست چپ (Left Total Arm) برای شخصی به قد یک و نیم متر در شکل زیر چند سانتی متر است؟ (نسبت مرکز ثقل دست تا انتهای پروکسیمال به طول آناتومیک دست 53% است.)



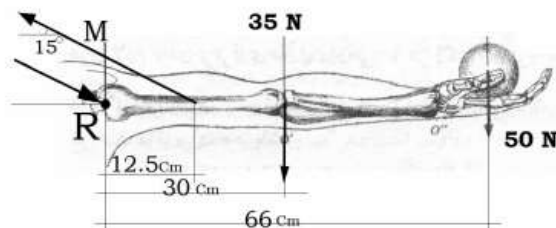
- (۱) ۲۲/۹
- (۲) ۲۶/۴
- (۳) ۴۲/۳
- (۴) ۴۵/۷

۱۴۶- ورزشکاری وزنه 20 کیلوگرمی را در حالت نشان داده در شکل زیر نگه داشته است. اگر AB ، 25 سانتی متر و BC ، 30 سانتی متر باشند و ورزشکار اهرم C را به اندازه 10 سانتی متر در امتداد منفی y حرکت دهد، برحسب واحد SI بر روی وزنه چقدر کار انجام داده است؟



- (۱) 9.8
- (۲) 9.81
- (۳) 1.962
- (۴) 19.62

۱۴۷- در شکل زیر مقدار نیروی وارد بر مفصل R برای ثابت نگه داشتن وزنه چند نیوتن است؟ ($\tan 15^\circ = 0.268$)



- (۱) ۱۳۲۵
- (۲) ۱۳۵۵
- (۳) ۱۳۷۶
- (۴) ۱۴۰۰

۱۴۸- پای راست شخصی به جرم ۵ کیلوگرم در مرحله Tibia Vertical از فاز آونگش قرار دارد. گشتاور وارد بر مفصل زانوی راست چند نیوتن متر می‌باشد؟ مؤلفه شتاب قدامی خلفی زانوی راست ۲- متر بر مجذور ثانیه و ساق دارای شتاب ۱۰ رادیان بر مجذور ثانیه در جهت اکستنشن است. ممان اینرسی ساق و پا حول انتهای پروکسیمال آن ۶/۶ کیلوگرم مترمربع است. هر ساق و پا (Foot and Leg) ۶ درصد وزن بدن را تشکیل می‌دهند و فاصله مرکز ثقل آن تا زانو ۲۵ سانتی‌متر فرض شود.

۷/۵ (۲)	۴/۵ (۱)
۱۵ (۴)	۱۲ (۳)

۱۴۹- عضله‌ای که طول استراحت آن ۱۰ سانتی‌متر است. با سرعت ۲/۰ متر بر ثانیه در شرایط حیاتی داخل بدن کشیده می‌شود. در لحظه‌ای که عضله به طول ۱۳ سانتی‌متر می‌رسد، نیروی آن ۸۰ نیوتن است. اگر در این لحظه فعالیت الکتریکی عضله دو برابر شود، نیروی عضله چند نیوتن خواهد شد؟ ضرایب الاستیک و دمپینگ عضله را به ترتیب یک کیلو نیوتن بر متر و صد نیوتن ثانیه بر متر فرض شود.

۱۱۰ (۲)	۲۲۶/۷ (۱)
۱۰۶/۷ (۴)	۱۲۰ (۳)

۱۵۰- شتاب مفصل مچ دست و آرنج ورزشکاری در یک حرکت کلی داده شده است. مؤلفه قدامی خلفی شتاب مرکز ثقل ساعد و دست (Forearm and Hand) چند متر بر مجذور ثانیه است؟ فاصله مرکز ثقل ساعد و دست تا انتهای پروکسیمال ۷/۰ طول عضو است.

$$a_{\text{Wrist}} = 4\bar{i} - 2\bar{j} \left(\frac{m}{s^2}\right)$$

$$a_{\text{Elbow}} = -3\bar{i} + \bar{j} \left(\frac{m}{s^2}\right)$$

۳/۵ (۲)	۰/۵ (۱)
۳/۷ (۴)	۱/۹ (۳)

دروس پایه پزشکی (فیزیولوژی، آناتومی، فیزیک پزشکی)	104A	صفحه ۴۳
۱۵۱- کدام عامل احتمال گردبادی شدن جریان خون را کاهش می‌دهد؟ (۱) چگالی خون (۲) سرعت خون (۳) قطر رگ (۴) ویسکوزیته خون		
۱۵۲- کدام عضو در کنترل فشار خون تأثیر بیشتری دارد؟ (۱) ریه (۲) کبد (۳) کلیه (۴) قلب		
۱۵۳- حرکت کیسه کیسه شدن در دستگاه گوارش مربوط به چه قسمتی است؟ (۱) مری (۲) معده (۳) روده بزرگ (۴) روده کوچک		
۱۵۴- تأثیر سورفاکتانت، در کدام حجم ریوی بیشتر است؟ (۱) جاری (۲) باقیمانده (۳) ذخیره دمی (۴) ذخیره بازدمی		
۱۵۵- کدام شنت ناشی از بیماری است؟ (۱) شنت آناتومی (۲) شنت ریوی (۳) شنت قلبی (۴) شنت فیزیولوژیک		
۱۵۶- در بیماری کلیه، کدام مورد درصد تغییرات بیشتری دارد؟ (۱) اسمزی کلونیدی کیسول بومن (۲) اسمزی کلونیدی گلومرول (۳) هیدروستاتیک کیسول بومن (۴) هیدروستاتیک گلومرول		
۱۵۷- مهمترین یون دخیل در انقباض عضله کدام است؟ (۱) پتاسیم (۲) سدیم (۳) کلسیم (۴) کلر		
۱۵۸- کدام لایه در سیستول قلبی مؤثرتر است؟ (۱) آندوکارد (۲) میوکارد (۳) پریکارد (۴) اپیکارد		
۱۵۹- کدام قسمت دندان استحکام بیشتری دارد؟ (۱) مینا (۲) مغز (۳) تاج (۴) عاج		
۱۶۰- مفصل فک تحتانی از چه نوعی است؟ (۱) زینی (۲) لیفی (۳) محوری (۴) کوندیلی		
۱۶۱- در حالت آناتومیک، کدام گروه عضلات انقباض بیشتری دارند؟ (۱) اکستنسورها (۲) سوپیناتورها (۳) فلکسورها (۴) پروناتورها		
۱۶۲- کدام استخوان سطح مفصلی با ستون فقرات دارد؟ (۱) ایلیم (۲) ایسکیوم (۳) پوییس (۴) فمور		
۱۶۳- کدام عضله در حرکات اندام فوقانی، نقش متنوع‌تری دارد؟ (۱) دلتوئید (۲) دوسر بازو (۳) گرد بزرگ (۴) سینه‌ای بزرگ		
۱۶۴- کدام عضو از شریان‌های زوج آئورت خون دریافت می‌کند؟ (۱) روده (۲) کبد (۳) کلیه (۴) معده		
۱۶۵- اصل مکانی در تشخیص فرکانس صدا در کدام محدوده کاربردی ندارد؟ (۱) ۱۰۰ هرتز (۲) ۲۰۰۰ هرتز (۳) ۱۰۰۰۰ هرتز (۴) ۲۰۰۰۰۰ هرتز		
۱۶۶- خیره شدن برای دقت در بینایی کار کدام قسمت چشم است؟ (۱) قرنیه (۲) عدسی (۳) شبکیه (۴) عنبیه		
۱۶۷- در دیاترمی موج کوتاه هیچیک از سلول‌های حسی و حرکتی تحریک نمی‌شوند، زیرا: (۱) دیاترمی، باعث مهار سلول‌های حسی و حرکتی می‌شود. (۲) فرکانس دیاترمی بسیار بیشتر از فرکانس تحریک این سلول‌ها است. (۳) دامنه تحریک در دیاترمی کوچک است و سبب تحریک این سلول‌ها نمی‌شود. (۴) سلول‌های حسی و حرکتی در معرض جریان قرار نمی‌گیرند. و فقط سطح پوست گرم می‌شود.		
۱۶۸- علت محدودیت فرکانس قابل شنیدن در صداها چیست؟ (۱) محل اتصال استخوانچه به پرده گوش (۲) عضله کشنده استخوانچه (۳) استخوانچه‌ها (۴) پرده گوش		
۱۶۹- در زمان استراحت یک قلب سالم (۱) توان فشاری قلب کمتر از توان جنبشی آن است. (۲) توان فشاری قلب برابر با توان جنبشی آن است. (۳) توان فشاری قلب بیشتر از توان جنبشی آن است. (۴) در حالت دیاستول است و کاری صورت نمی‌گیرد.		
۱۷۰- وجود سورفاکتانت در حبابچه‌های هوایی باعث: (۱) عدم تغییر در خاصیت‌پذیری ریه‌ها و کاهش کار تنفسی می‌شود. (۲) کاهش خاصیت‌پذیری ریه‌ها و افزایش کار تنفسی می‌شود. (۳) کاهش خاصیت‌پذیری ریه‌ها و عدم تغییر در کار تنفسی می‌شود. (۴) افزایش خاصیت‌پذیری ریه‌ها و کاهش کار تنفسی می‌شود.		