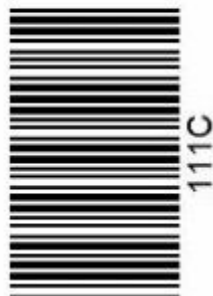


مستر تست؛ وبسایت تخصصی آزمون کارشناسی ارشد

کد کنترل

111

C



نام:

نام خانوادگی:

محل امضا:

صبح پنجشنبه

۹۶/۲/۷



«اگر دانشگاه اصلاح شود مملکت اصلاح می‌شود.»

امام خمینی (ره)

جمهوری اسلامی ایران
وزارت علوم، تحقیقات و فناوری
سازمان سنجش آموزش کشور

آزمون ورودی دوره‌های کارشناسی ارشد ناپیوسته داخل - سال ۱۳۹۶

مجموعه مهندسی برق - کد ۱۲۵۱

مدت پاسخگویی: ۲۷۰ دقیقه

تعداد سؤال: ۱۳۸

عنوان مواد امتحانی، تعداد و شماره سؤالات

ردیف	عنوان مواد امتحانی	تعداد سؤال	از شماره	تا شماره
۱	زبان عمومی و تخصصی (انگلیسی)	۳۰	۱	۳۰
۲	ریاضیات (معادلات دیفرانسیل، ریاضیات مهندسی، آمار و احتمالات)	۱۵	۳۱	۴۵
۳	مدارهای الکتریکی (ا و ۲)	۱۵	۴۶	۶۰
۴	الکترونیک (ا و ۲) و سیستم‌های دیجیتال ۱	۱۵	۶۱	۷۵
۵	ماشین‌های الکتریکی (ا و ۲) و تحلیل سیستم‌های انرژی الکتریکی ۱	۱۵	۷۶	۹۰
۶	سیستم‌های کنترل خطی	۱۳	۹۱	۱۰۴
۷	سیگنال‌ها و سیستم‌ها	۱۳	۱۰۳	۱۱۴
۸	الکترومغناطیس	۱۳	۱۱۵	۱۲۶
۹	مقدمه‌ای بر مهندسی پزشکی	۱۳	۱۲۷	۱۳۸

این آزمون نمره منفی دارد.

استفاده از ماشین حساب مجاز نیست.

حق چاپ، تکثیر و انتشار سؤالات به هر روش (الکترونیکی و ...) پس از برگزاری آزمون، برای تمامی اشخاص حقیقی و حقوقی تنها با مجوز این سازمان مجاز می‌باشد و با متخلفین برابر مقررات رفتار می‌شود.

PART A: Vocabulary

Directions: Choose the word or phrase (1), (2), (3), or (4) that best completes the blank. Then mark the correct choice on your answer sheet.

- 1- Lawyers for both parties will convene this morning to see if a ----- can be reached before the matter reaches the court.
1) transparency 2) realism 3) settlement 4) discipline
- 2- Later he ----- her daughter for having talked to her teacher impolitely.
1) prevented 2) scolded 3) restricted 4) neglected
- 3- The volcano had remained ----- for over a hundred years, and most people thought it would never burst again.
1) dormant 2) drastic 3) severe 4) incidental
- 4- You will certainly ----- your sprained ankle if you attempt to play basketball today.
1) coerce 2) avoid 3) discomfit 4) exacerbate
- 5- My medical condition is ----- and cannot be altered even with medication.
1) immutable 2) exhaustible 3) durable 4) demanding
- 6- The comedian hoped his jokes would ----- a great deal of laughter from the audience.
1) pursue 2) explode 3) necessitate 4) elicit
- 7- Because Kelly's parents were not affectionate, she grew up suffering from a/an ----- of love and affection.
1) isolation 2) malfunction 3) violation 4) deprivation
- 8- Although we may never completely ----- every disease on earth, it's heartening to see the progress medicine has made on so many fronts.
1) overlook 2) eradicate 3) suspend 4) forecast
- 9- As people mature, their ----- skills become more developed, so they are capable of solving more complex problems.
1) collective 2) sufficient 3) cognitive 4) hypothetical
- 10- I wonder why Cathy spends so much time telling me ----- facts that have nothing to do with me.
1) curious 2) identical 3) irrelevant 4) unequivocal

PART B: Cloze Passage

Directions: Read the following passage and decide which choice (1), (2), (3), or (4) best fits each space. Then mark the correct choice on your answer sheet.

The job of theoretical physicists is twofold: first, to explain what our experimental colleagues have discovered; and second, (11) ----- phenomena that have not yet (12) ----- . The history of scientific discovery shows that progress is achieved using (13) ----- .

Quantum theory, for example, was largely driven by empirical results, (14) ----- Einstein's general theory of relativity was (15) ----- speculation and thought experiments, as well as advanced mathematics.

- 11- 1) to predict 2) predicting 3) it is to predict 4) predict
- 12- 1) found 2) to be found 3) been found 4) be found

- | | | | | |
|-----|---------------------|-----------------|--------------------|-----------------|
| 13- | 1) both the methods | 2) both methods | 3) both of methods | 4) methods both |
| 14- | 1) as though | 2) in that | 3) so that | 4) whereas |
| 15- | 1) a product of | 2) produced | 3) production of | 4) producing |

PART C: Reading Comprehension:

Directions: Read the following three passages and answer the questions by choosing the best choice (1), (2), (3), or (4). Then mark the correct choice on your answer sheet.

PASSAGE I:

Giant magneto-resistance (GMR) is a quantum mechanical magneto-resistance effect observed in thin-film structures composed of alternating ferromagnetic and non-magnetic conductive layers. The effect is observed as a significant change in the electrical resistance depending on whether the magnetization of adjacent ferromagnetic layers is in a parallel or an anti-parallel alignment. The overall resistance is relatively low for parallel alignment and relatively high for anti-parallel alignment. The magnetization direction can be controlled for example, by applying an external magnetic field. The effect is based on the dependence of electron scattering on the spin orientation. GMR in films was first observed by Fert and Gruenberg in a study of super-lattices composed of ferromagnetic and anti-ferromagnetic layers. The main application of GMR is magnetic field sensors, which are used to read data in hard disk drives. GMR multilayer structures are also used in magneto resistive random-access memory (MRAM) as cells that store one bit of information.

A cell of magneto resistive random-access memory (MRAM) has a structure similar to the spin-valve sensor. The value of the stored bits can be encoded via the magnetization direction in the sensor layer; it is read by measuring the resistance of the structure. The advantages of this technology are independence of power supply (the information is preserved when the power is switched off owing to the potential barrier for reorienting the magnetization), low power consumption and high speed.

In a typical GMR-based storage unit, a CIP structure is located between two wires oriented perpendicular to each other. These conductors are called lines of rows and columns. Pulses of electric current passing through the lines generate a vortex magnetic field, which affects the GMR structure.

- 16- According to the passage, what is the justification for the designation GMR?
- 1) The large magnetic field required to change the resistance of the sensor.
 - 2) The complex underlying physics of resistance change in sensors.
 - 3) The big size of the magnetic sensors.
 - 4) The resistance change produced in response to a magnetic field.
- 17- According to the passage, which of the items below can be considered as a major application of the GMR sensor?
- 1) Sensing magnet flux
 - 2) Sensing resistance
 - 3) Sensing thin film structure
 - 4) Sensing superlattice structures
- 18- In the passage, the underlined word "oriented" can best be replaced with -----.
- 1) Turned
 - 2) lying
 - 3) twisting
 - 4) Modified

- 19- Which of these components is not used in the structure of a GMR?
- 1) Non-magnetic conductors
 - 2) Thin films
 - 3) Anti-ferromagnetic insulators
 - 4) Magnetic conductors
- 20- What would be a good title for the passages?
- 1) Giant Magneto Resistance theory
 - 2) Application of GMR in memories
 - 3) Measuring the resistance of structures
 - 4) Magnetic fields in quantum mechanics

PASSAGE 2:

Electrons play a fundamental role in electronics. They are commonly manipulated based on the two properties: charge and spin. Electronics has long exploited the charge of electrons to make devices that can turn on or off. More recently, we have also seen the spin of electrons leveraged. Encoding bits using the spin of electrons, instead of the usual charge is a promising potential for spintronic devices. Electron spin can be visualized as the rotation of an electron in one of two ways, with the rotation axis pointing up or down. Just as the presence or absence of an electric charge represents a bit equaling 1 or 0, a spin pointing up or down can do so as well. Flipping the spin to change a bit requires much less energy than moving charge. Spintronics has been held out as a way to greatly increase data processing speeds. However, quantum spin can be impacted by magnetic fields, which leads to stability problems for spintronics.

Both electronics and spintronics have their own strengths and weaknesses. Hence, researchers have focused on finding another degree of freedom in electrons that avoids those weaknesses and maximizes the strengths. Instead of relying on the electrons' spin or charge, valleytronics exploits their energy level in relation to their momentum. The "valley" in valleytronics comes from the shape of the graph you get when you plot the energy of electrons relative to their momentum: the resulting curve features two valleys. Electrons move through the lattice of a 2D semiconductor as a wave populating these two valleys, with each valley being characterized by a distinct momentum and quantum valley number. The trick is to manipulate these two valleys so that one is deeper than the other, which causes the electrons to populate one valley more than the other. When the electrons are in a minimum energy valley, the quantum valley number associated with it can be used to encode information.

- 21- The passage mainly talks about -----.
- 1) Recent developments in electronics
 - 2) Traditional transistors
 - 3) The strengths and weaknesses of valleytronics
 - 4) Quantum theory and its applications
- 22- One advantage of spintronics over electronics is -----.
- 1) The orientation of electron charges
 - 2) The requirement to move charges
 - 3) Energy efficiency
 - 4) The impact of magnetic fields on quantum spin

- 23- It can be inferred from the passage that -----.
- 1) Changing electron population of valleys takes place at a lower energy level
 - 2) Using electron charges is outdated these days
 - 3) In valleytronics, the valleys are polarized
 - 4) Data processing takes place faster with spintronics
- 24- Which characteristic distinguishes valleys from each other?
- 1) Electron spin
 - 2) Momentum
 - 3) Encoded information
 - 4) Graph shape
- 25- Encoding bits in the three systems discussed in the passage does NOT take place in
- 1) Electron spins
 - 2) Valley
 - 3) Binary digits
 - 4) Electron charges

PASSAGE 3:

Telecommunications corporations are faced with increasing load on the connectivity service providers (CSP) networks due to rapid growth in the use of internet of thing (IoT) devices. In most applications, the CSP role is confined to providing the network access (e.g., SIM cards) and a long-term data plan. As traffic becomes more unpredictable, CSPs have little visibility into devices, applications or management of machine-generated traffic impacting their ability to deliver the appropriate quality of service (QoS).

At the enterprise level, business units struggle to implement and capitalize on the promise of IoT by extending or strengthening their activities by adding a telecommunications link to and from some of the products that they sell.

Municipalities often have several agencies (e.g., Police, Transport, Tourism, IT and Infrastructure) wishing to deploy devices and sensors into the city to provide new services to the citizens, optimize their operations or reduce costs. Unfortunately, these different units work in isolation from each other, by focusing on their own vertical needs. This hinders efficient development and operations, as it leads to high development costs, little commonality, and little reusability in essence creating custom solutions for each vertical.

With the rapid development of opportunities in the IoT marketplace, organizations are challenged in developing business-specific solutions while ensuring maximum reusability across their organization and business units.

Fragmentation in the IoT industry, rooted in disparate devices and applications built on proprietary protocols can stifle innovation. This complex ecosystem makes it harder for application developers to innovate and create new applications cost effectively. In the Telco, enterprise, and municipal space, the effects of this complexity are felt in different ways.

- 26- The underlined word "disparate" in the last paragraph means -----.
- 1) Different
 - 2) Opposite
 - 3) Reusable
 - 4) Manufactured
- 27- According to the text, what does IoT motivate at the enterprise level?
- 1) To increase the load on connectivity service providers
 - 2) To make municipalities have a stronger role in providing the QoS in telecommunications services
 - 3) To increase the number of SIM cards
 - 4) To equip devices with communication capabilities

- 28- We may conclude from the passage that -----.
- 1) QoS can be improved by multiplication of IoT devices
 - 2) Fragmentation in the IoT facilitates innovations
 - 3) Innovation is hampered by exclusive rights and natures of IoT protocols
 - 4) An efficient deployment of the network may result from agencies focusing on their vertical needs
- 29- CSPs have lost in their service quality due to -----.
- 1) Reduced visibility of CSPs
 - 2) Efforts by telecommunications corporations to reduce cost
 - 3) Rapid growth of IoT
 - 4) Increasing load of CSP networks
- 30- What is meant by "custom solution" in the third paragraph?
- 1) Those conventionally used in IT problems
 - 2) Those uniting otherwise isolated agencies
 - 3) Those addressing the commonalities of IoT applications
 - 4) Those addressing specific verticals

ریاضیات (معادلات دیفرانسیل، ریاضیات مهندسی، آمار و احتمالات):

۳۱- جواب معادله $\left[y + \frac{1}{\sqrt{y^2 - x^2}} \right] dx + \left[x - \frac{x}{y\sqrt{y^2 - x^2}} \right] dy = 0$ در ناحیه $y > 0$ ، کدام است؟

(۱) $\frac{x}{y} + \sin^{-1}\left(\frac{x}{y}\right) = c$

(۲) $xy + \sin^{-1}\left(\frac{x}{y}\right) = c$

(۳) $xy + \sin^{-1}(xy) = c$

(۴) $\frac{x}{y} - \sin^{-1}\left(\frac{x}{y}\right) = c$

۳۲- در مسئله مقدار اولیه $4y'' + 4y' + y = 0$ ، $y(0) = 1$ ، $y'(0) = b > 0$ ، مختصات (t_M, y_M) نقطه اکسترمم

منحنی جواب، و نوع اکسترمم (ماکزیمم یا مینیمم) کدام است؟

(۱) $(t_M, y_M) = \left(\frac{4b}{2b+1}, (1+2b)e^{\frac{-2b}{2b+1}}\right)$ ، نقطه ماکزیمم منحنی جواب

(۲) $(t_M, y_M) = \left(\frac{4b}{2b+1}, (1+2b)e^{\frac{-2b}{2b+1}}\right)$ ، نقطه مینیمم منحنی جواب

(۳) $(t_M, y_M) = \left(\frac{2b}{2b+1}, (1+b)e^{\frac{-2b}{2b+1}}\right)$ ، نقطه ماکزیمم منحنی جواب

(۴) $(t_M, y_M) = \left(\frac{2b}{2b+1}, (1+b)e^{\frac{-2b}{2b+1}}\right)$ ، نقطه مینیمم منحنی جواب

۳۳- جواب عمومی معادله ناهمگن $x^r y'' - 3xy' + 4y = x^r \ln x$ و $x > 0$ کدام است؟

$$y(x) = \frac{x^r}{r} (\ln x)^r + C_1 x \ln x + C_2 x^r \quad (1)$$

$$y(x) = \frac{x^r}{r} (\ln x)^r + C_1 x^r \ln x + C_2 x^r \quad (2)$$

$$y(x) = \frac{x^r}{r} (\ln x)^r + C_1 x^r \ln x + C_2 x^r \quad (3)$$

$$y(x) = \frac{x^r}{r} (\ln x) + C_1 x^r \ln x + C_2 x^r \quad (4)$$

۳۴- پاسخ معادله $xy'' - xy' - y = 0$ با شرایط $y(0) = 0$ و $y'(0) = 2$ کدام است؟

$$y = 2xe^{2x} \quad (1)$$

$$y = 2xe^{-2x} \quad (2)$$

$$y = 2xe^x \quad (3)$$

$$y = 2xe^{-x} \quad (4)$$

۳۵- جواب عمومی دستگاه معادلات $x' = \begin{bmatrix} 1 & 1 \\ 4 & 1 \end{bmatrix} x$ کدام است؟

$$x = C_1 \begin{bmatrix} 1 \\ -1 \end{bmatrix} e^{-t} + C_2 \begin{bmatrix} 1 \\ 1 \end{bmatrix} e^{rt} \quad (1)$$

$$x = C_1 \begin{bmatrix} 1 \\ -1 \end{bmatrix} e^{rt} + C_2 \begin{bmatrix} 1 \\ 1 \end{bmatrix} e^{-t} \quad (2)$$

$$x = C_1 \begin{bmatrix} 1 \\ -2 \end{bmatrix} e^{rt} + C_2 \begin{bmatrix} 1 \\ 2 \end{bmatrix} e^{-t} \quad (3)$$

$$x = C_1 \begin{bmatrix} 1 \\ -2 \end{bmatrix} e^{-t} + C_2 \begin{bmatrix} 1 \\ 2 \end{bmatrix} e^{rt} \quad (4)$$

۳۶- فرض کنیم $f(x) = \begin{cases} x, & 0 \leq x < L \\ 0, & -L < x < 0 \end{cases}$ ، سری فوریه مثلثاتی تابع $f(x)$ کدام است؟

$$1 - \frac{L}{4} + \frac{2L}{\pi^2} \sum_{k=1}^{\infty} \frac{1}{(2k-1)^2} \cos \frac{(2k-1)\pi x}{L} - \frac{L}{\pi} \sum_{k=1}^{\infty} \frac{(-1)^k}{k} \sin \frac{k\pi x}{L} \quad (1)$$

$$1 - \frac{L}{4} - \frac{2L}{\pi^2} \sum_{k=1}^{\infty} \frac{1}{(2k-1)^2} \cos \frac{(2k-1)\pi x}{L} - \frac{L}{\pi} \sum_{k=1}^{\infty} \frac{(-1)^k}{k} \sin \frac{k\pi x}{L} \quad (2)$$

$$\frac{1}{2} - \frac{L}{4} + \frac{2L}{\pi^2} \sum_{k=1}^{\infty} \frac{1}{(2k-1)^2} \cos \frac{(2k-1)\pi x}{L} + \frac{L}{\pi} \sum_{k=1}^{\infty} \frac{(-1)^k}{k} \sin \frac{k\pi x}{L} \quad (3)$$

$$1 - \frac{L}{4} + \frac{2L}{\pi^2} \sum_{k=1}^{\infty} \frac{1}{(2k-1)^2} \cos \frac{(2k-1)\pi x}{L} + \frac{L}{\pi} \sum_{k=1}^{\infty} \frac{(-1)^k}{k} \sin \frac{k\pi x}{L} \quad (4)$$

مستر تست: وبسایت تخصصی آزمون کارشناسی ارشد

۳۷- معادله موج یک بعدی زیر با شرایط اولیه و مرزی داده شده دارای جواب به صورت $U(x,t)$ می باشد. $U(\frac{\pi}{4}, \pi)$ ، کدام است؟

$$\begin{cases} U_{xx} = U_{tt} + \sin x \\ 0 < x < \pi, t > 0 \end{cases} \quad \begin{cases} U(x,0) = 0 & 0 \leq x \leq \pi \\ U_t(x,0) = 0 & 0 \leq x \leq \pi \end{cases} \quad \begin{cases} U(0,t) = 0 & t > 0 \\ U(\pi,t) = 0 & t > 0 \end{cases}$$

(۱) -۲

(۲) -۱

(۳) ۱

(۴) ۲

۳۸- اگر D ناحیه درون چهارضلعی بارتوس $(1,0)$ و $(2,0)$ و $(0,1)$ و $(0,2)$ باشد و $z \in D$ و $f(z) = (z+1)$ ، آنگاه ماکزیمم و مینیمم $|f(z)|$ بر ناحیه D کدام است؟

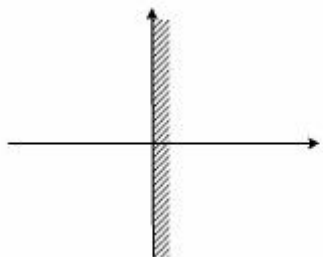
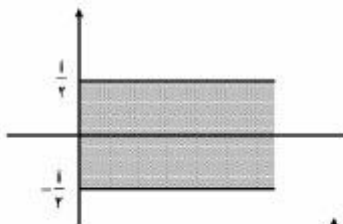
(۱) $\sqrt{3}$ و ۲

(۲) $\sqrt{2}$ و ۳

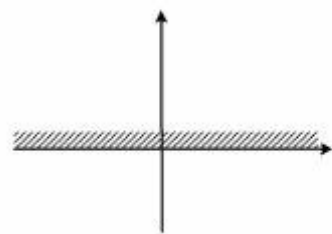
(۳) ۲ و ۳

(۴) $\sqrt{2}$ و $\sqrt{3}$

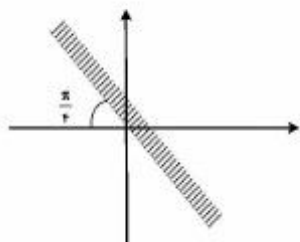
۳۹- تصویر ناحیه زیر تحت نگاشت $w = (1+i)\sin(\pi iz)$ ، کدام است؟



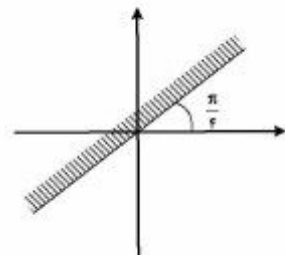
(۲)



(۱)



(۴)



(۳)

۴۰- حاصل $\oint_C \frac{1 + \tan^2 z}{\tan z} dz$ ، که در آن $C: |z| = n$ در جهت پاد ساعت گرد می‌باشد، کدام است؟

(۱) بزرگترین عدد درست $|k|$ صادق در $\frac{|k|\pi}{2} < n$ زوج باشد، $2\pi i$

(۲) بزرگترین عدد درست $|k|$ صادق در $\frac{|k|\pi}{2} < n$ فرد باشد، $-2\pi i$

(۳) بزرگترین عدد درست $|k|$ صادق در $\frac{|k|\pi}{2} < n$ فرد باشد، $2\pi i$

(۴) بزرگترین عدد درست $|k|$ صادق در $\frac{|k|\pi}{2} < n$ زوج باشد، $-2\pi i$

(۵) بزرگترین عدد درست $|k|$ صادق در $\frac{|k|\pi}{2} < n$ فرد باشد، $4\pi i$

(۶) بزرگترین عدد درست $|k|$ صادق در $\frac{|k|\pi}{2} < n$ زوج باشد، $-4\pi i$

(۷) بزرگترین عدد درست $|k|$ صادق در $\frac{|k|\pi}{2} < n$ زوج باشد، $4\pi i$

(۸) بزرگترین عدد درست $|k|$ صادق در $\frac{|k|\pi}{2} < n$ فرد باشد، $-4\pi i$

۴۱- ۲ توپ زرد و ۳ توپ آبی را به‌طور تصادفی روی یک خط قرار می‌دهیم. احتمال اینکه توپ‌های هم‌رنگ کنار هم قرار گرفته باشند، کدام است؟

(۱) ۰/۱

(۲) ۰/۲

(۳) $\frac{1}{3}$

(۴) $\frac{1}{6}$

۴۲- اگر X یک متغیر تصادفی با تابع چگالی احتمال $f_x(x) = \frac{1}{\sqrt{4\pi}} e^{-\frac{x^2}{4}}$ و $Y = AX$ ، که در آن A یک متغیر

تصادفی باینری با توزیع $P\{A=0\} = \frac{3}{4}$ و $P\{A=1\} = \frac{1}{4}$ و مستقل از متغیر تصادفی X باشد، مقدار ضریب همبستگی دو متغیر تصادفی X و Y کدام است؟

(۱) ۰

(۲) $\frac{1}{4}$

(۳) $\frac{1}{\sqrt{2}}$

(۴) $\frac{1}{2}$

مستر تست: وبسایت تخصصی آزمون کارشناسی ارشد

۴۳- تابع مولد گشتاور متغیر تصادفی X که به صورت $\phi_X(s) = E\{e^{sX}\}$ تعریف می‌شود، در زیر داده شده است:

$$\phi_X(s) = A(e^s + Be^{-s})^2$$

اگر بدانیم $P(|X| < 1) = P(|X| > 1)$ ، در این صورت مقدار A برابر کدام است؟

(۱) $\frac{1}{4}$

(۲) $\frac{1}{2}$

(۳) ۱

(۴) ۲

۴۴- X و Y دو متغیر تصادفی مستقل از هم و با توزیع یکنواخت یکسان در بازه $\left[-\frac{1}{2}, \frac{1}{2}\right]$ می‌باشند. اگر

$Z = X + Y$ باشد، در این صورت مقدار $P(Z < -\frac{1}{4})$ کدام است؟

(۱) ۰

(۲) $\frac{1}{3}$

(۳) $\frac{1}{4}$

(۴) $\frac{1}{8}$

۴۵- فرض کنید X و Y دو متغیر تصادفی مستقل و با توزیع یکنواخت در بازه $[0, 1]$ باشند،

مقدار $E(X | X > Y)$ ، کدام است؟

(۱) $\frac{1}{2}$

(۲) $\frac{2}{3}$

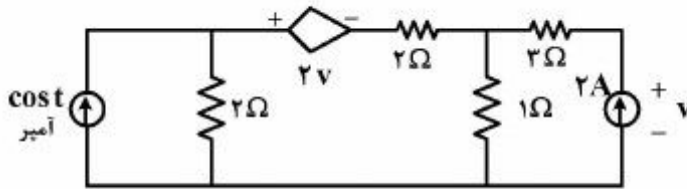
(۳) $\frac{3}{4}$

(۴) $\frac{4}{5}$

مستر تست: وبسایت تخصصی آزمون کارشناسی ارشد

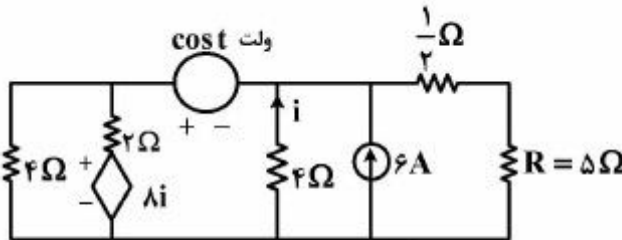
مدارهای الکتریکی (۲۰):

۴۶- در مدار زیر، توان متوسط منبع وابسته، ناشی از منبع جریان کسینوسی، چند وات است؟



- (۱) $\frac{2}{49}$
- (۲) $\frac{1}{49}$
- (۳) $\frac{4}{49}$
- (۴) $\frac{3}{49}$

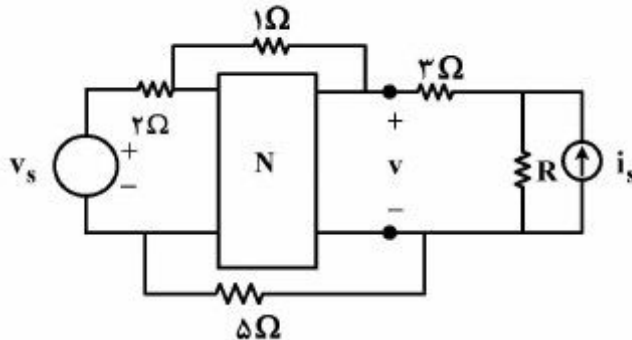
۴۷- در مدار زیر، مقدار جدید R چند اهم باشد، تا جریان آن نصف شود؟



- (۱) ۱
- (۲) ۲
- (۳) ۱۰
- (۴) ۱۱

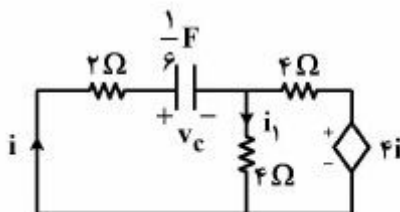
۴۸- در مدار زیر، N یک مدار مقاومتی خطی و بدون منابع مستقل است. با $R = 4 \Omega$ ولتاژ v به صورت

$v = \frac{1}{9}i_s + \frac{1}{9}v_s$ می‌باشد. به ازای مقداری از R که توان متوسط آن ماکزیمم است، ولتاژ v برابر کدام است؟



- (۱) $\frac{1}{2}i_s + \frac{4}{35}v_s$
- (۲) $i_s + \frac{4}{35}v_s$
- (۳) $i_s + \frac{1}{5}v_s$
- (۴) $\frac{1}{2}i_s + \frac{1}{5}v_s$

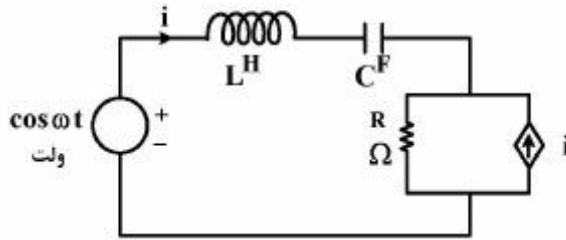
۴۹- در مدار زیر $v_c(0^-) = 2V$ است. بعد از نصف شدن ولتاژ خازن، جریان $i_1(t)$ چگونه تغییر می‌کند؟



- (۱) $-\frac{1}{4}e^{-(t-\ln 2)}$
- (۲) $-\frac{1}{6}e^{-6(t-\ln 2)}$
- (۳) $-\frac{1}{4}e^{-6(t-\ln 2)}$
- (۴) $-\frac{1}{6}e^{-(t-\ln 2)}$

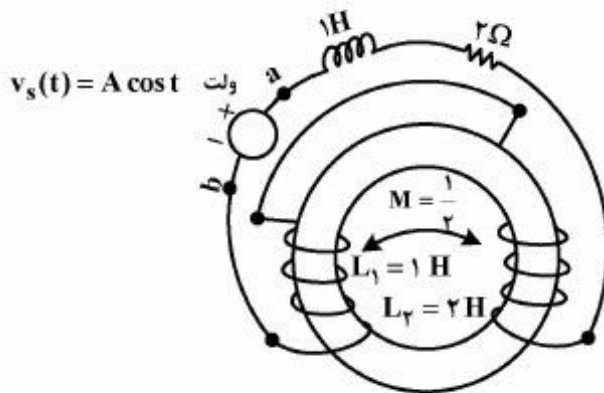
مستر تست: وبسایت تخصصی آزمون کارشناسی ارشد

۵۰- مدار زیر در حالت دائمی سینوسی قرار دارد؛ و اندازه جریان i ماکزیمم و برابر ۱ آمپر است. مقدار R برابر چند اهم است؟



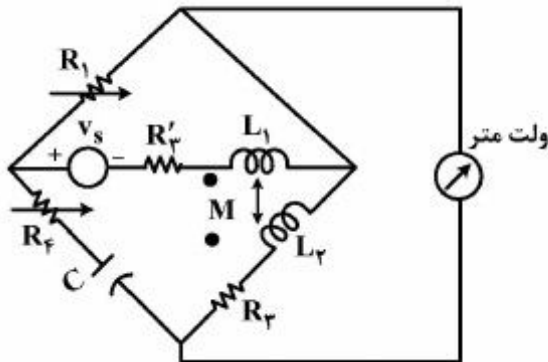
- (۱) ۰/۵
- (۲) ۱
- (۳) ۱/۵
- (۴) ۲

۵۱- در مدار زیر امپدانس ورودی از a و b در حالت دائمی سینوسی، برابر کدام است؟



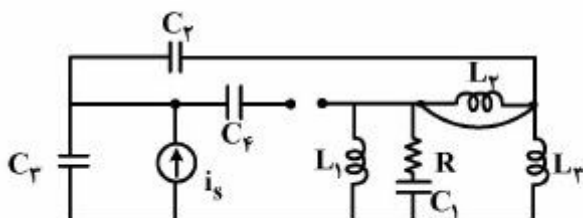
- (۱) $2 + 3j$
- (۲) $2 + 3/5j$
- (۳) $2 + 4j$
- (۴) $2 + 4/5j$

۵۲- در مدار دائمی سینوسی زیر با تنظیم R_1 و R_f ، ولت‌متر ایدئال مقدار صفر ولت را نشان می‌دهد. با فرض $R_1 = R_f = R_p = 1 \Omega$ و $C = 1F$ مقدار L_p و M کدام است؟



- (۱) $L_p = 2, M = 1$
- (۲) $L_p = 3, M = 2$
- (۳) $L_p = 1, M = 1/5$
- (۴) $L_p = 5, M = 3$

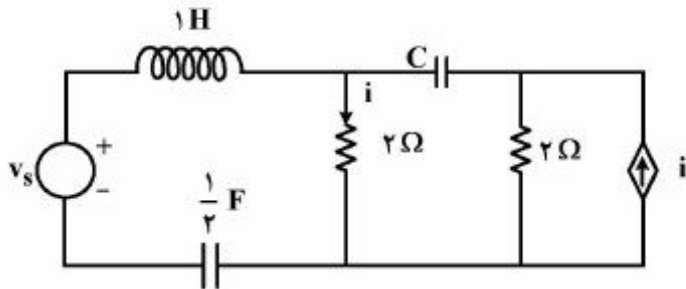
۵۳- مدار زیر، چند فرکانس طبیعی مخالف صفر دارد؟



- (۱) دو
- (۲) سه
- (۳) چهار
- (۴) پنج

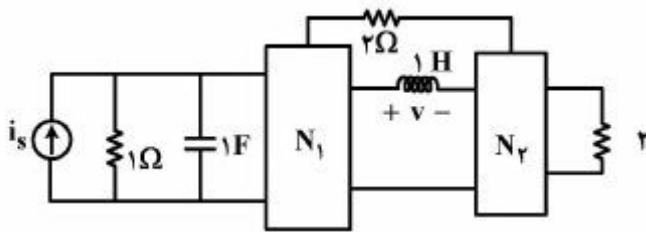
مستر تست: وبسایت تخصصی آزمون کارشناسی ارشد

۵۴- در مدار زیر، اگر یک فرکانس طبیعی مدار برابر (-2) باشد، مقدار C چند فاراد است؟



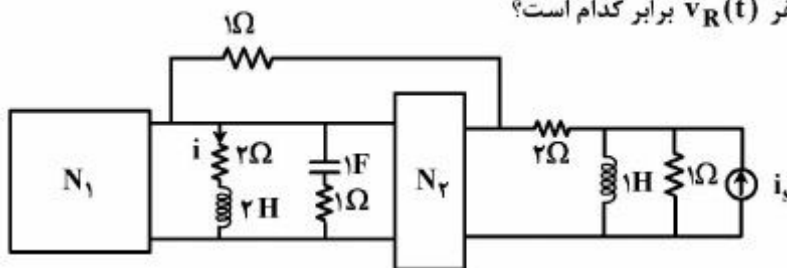
- (۱) $\frac{1}{2}$
- (۲) ۲
- (۳) $\frac{1}{4}$
- (۴) ۴

۵۵- مدار زیر بدون شرایط اولیه در $t = 0^-$ است و N_1 و N_2 از مقاومت‌های خطی دو سر مثبت تشکیل شده‌اند. کدام معادله دیفرانسیل در $t > 0^-$ برای ولتاژ $v(t)$ درست است؟

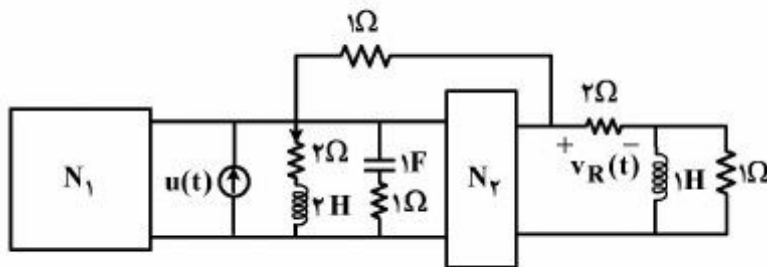


- (۱) $v''(t) + 2v'(t) + 3v(t) = \frac{1}{2}i_s'$
- (۲) $v''(t) + 2v'(t) + 3v(t) = i_s' + i_s$
- (۳) $v''(t) + 2v'(t) + 3v(t) = 2i_s' + 3$
- (۴) $v''(t) + 2v'(t) + 3v(t) = \frac{1}{2}i_s' + i_s$

۵۶- مدارهای زیر هم‌پاسخ هستند. در مدار (۱) با $i_s = u(t)$ پاسخ حالت صفر i به صورت $(e^{-t} - e^{-2t}).u(t)$ است. در مدار (۲) پاسخ حالت صفر $v_R(t)$ برابر کدام است؟



مدار (۱)

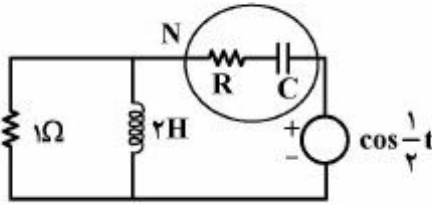


مدار (۲)

- (۱) $u(t) \left[\frac{3}{2} + t - \frac{3}{2}e^{-2t} \right]$
- (۲) $u(t) \left[2e^{-2t} + e^{-t} \right]$
- (۳) $2(1 + e^{-2t})u(t)$
- (۴) $5u(t)$

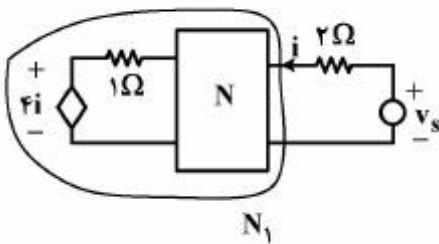
مستر تست: وبسایت تخصصی آزمون کارشناسی ارشد

۵۷- در مدار زیر با $RC = 2s$ توان متوسط N ماکزیمم است. مقدار R چند اهم است؟ (دائمی سینوسی)



- (۱) $\frac{1}{4}$
- (۲) $\frac{1}{2}$
- (۳) ۱
- (۴) ۲

۵۸- در مدار مقاومتی خطی زیر، $v_s = 2V$ و جریان i برابر $\frac{1}{3}$ آمپر است. با $v_s = 1 + \cos t$ اندازه توان متوسط N_1 چند وات است؟ (N بدون منابع مستقل است)



- (۱) $\frac{1}{16}$
- (۲) $\frac{1}{8}$
- (۳) $\frac{3}{8}$
- (۴) $\frac{3}{16}$

۵۹- در مورد گراف ۱۰ شاخه‌ای و هفت گره‌ی، گزینه درست کدام است؟

(۱) زیرفضاهای ولتاژها و جریان‌ها الزاماً بر هم عمود نیستند.

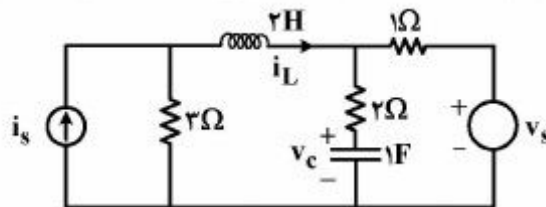
(۲) ولتاژها در یک زیر فضای نه بعدی از فضای R^{10} قرار دارند.

(۳) جریان‌ها در یک زیر فضای ۴ بعدی R^{10} هستند و یک پایه ساده آن زیر فضا، مجموعه ردیف‌های ماتریس کانتست‌های اساسی است.

(۴) عمود بودن زیرفضاهای ولتاژها و جریان‌ها نتیجه قوانین ولتاژ و جریان کیرشهف است.

۶۰- در مدار زیر اگر معادلات حالت به صورت زیر باشد، ماتریس B کدام است؟

$$\begin{bmatrix} \frac{dv_c}{dt} \\ \frac{di_L}{dt} \end{bmatrix} = A \begin{bmatrix} v_c \\ i_L \end{bmatrix} + B \begin{bmatrix} v_s \\ i_s \end{bmatrix}$$



- (۲) $\begin{bmatrix} \frac{1}{3} & 0 \\ -\frac{1}{3} & \frac{3}{2} \end{bmatrix}$
- (۴) $\begin{bmatrix} 0 & \frac{1}{3} \\ -\frac{2}{3} & 3 \end{bmatrix}$

- (۱) $\begin{bmatrix} \frac{1}{3} & 0 \\ -\frac{2}{3} & 3 \end{bmatrix}$
- (۳) $\begin{bmatrix} 0 & \frac{1}{3} \\ -\frac{1}{3} & \frac{3}{2} \end{bmatrix}$

مستر تست: وبسایت تخصصی آزمون کارشناسی ارشد

۶۱- در مدار تقویت‌کننده زیر، به ازای چه مقداری از مقاومت R_1 برحسب کیلو اهم، دامنه سوئیچ متقارن ولتاژ

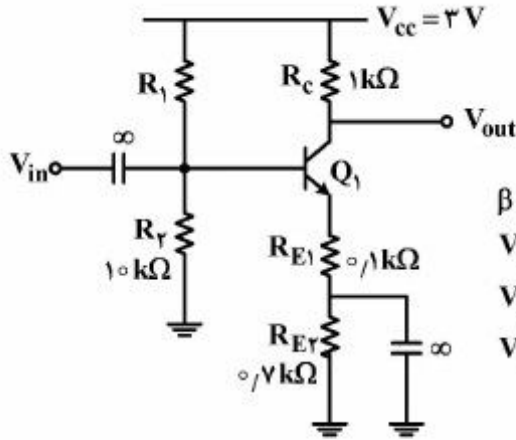
خروجی V_{out} ، تقریباً ماکزیمم خواهد بود؟

۵ (۱)

۱۰ (۲)

۱۵ (۳)

۲۰ (۴)



$$\beta \gg 1$$

$$V_{BE,on} = 0.7 \text{ V}$$

$$V_{CE,sat} = 0.2 \text{ V}$$

$$V_A = \infty$$

۶۲- در مدار زیر ترانزیستور M_1 در ناحیه اشباع بایاس شده و تقویت عملیاتی ایدئال است. مقدار ولتاژ خروجی

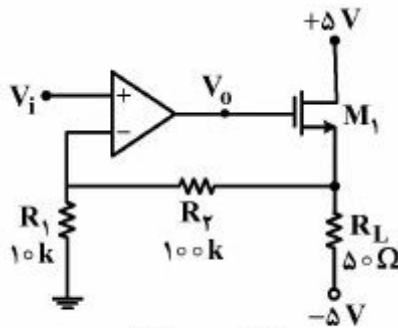
تقویت‌کننده عملیاتی به ازای $V_i = 0$ ، چند ولت است؟

۰ (۱)

۱ (۲)

۲ (۳)

۳ (۴)



$$\mu_n c_{ox} \frac{W}{L} = 200 \frac{\text{mA}}{\text{V}^2}$$

$$V_{TH} = 1 \text{ V}$$

۶۳- در مدار تقویت‌کننده زیر همه ترانزیستورها در ناحیه اشباع بایاس شده‌اند و منبع جریان I_b ایدئال است. مقدار

بهره ولتاژ $A_V = \frac{V_{out}}{V_{in}}$ آن کدام است؟

$$V_{GS1} - V_{TH1} = 0.2 \text{ V}$$

$$|V_{GS2} - V_{TH2}| = 0.5 \text{ V}$$

$$I_b = 1 \text{ mA}$$

$$V_A = \infty$$

$$R_S = 10 \text{ k}\Omega$$

$$R_G = 90 \text{ k}\Omega$$

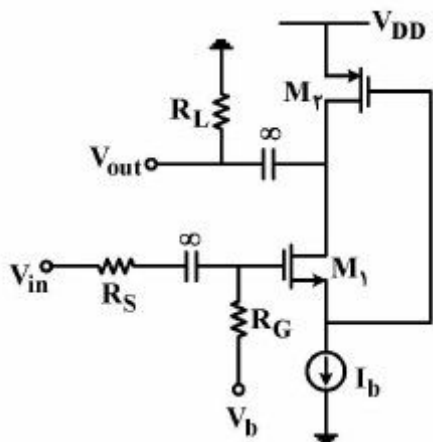
$$R_L = 10 \text{ k}\Omega$$

۳۶ (۱)

۵۴ (۲)

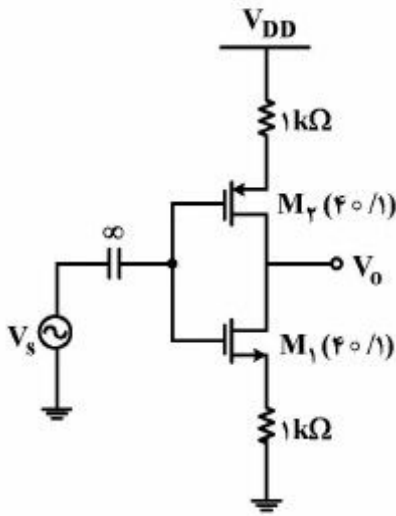
۹۰ (۳)

۱۲۶ (۴)



مستر تست: وبسایت تخصصی آزمون کارشناسی ارشد

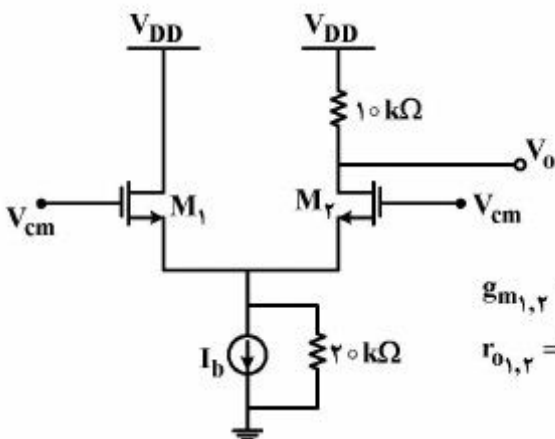
۶۴- در مدار زیر، V_{DD} به گونه‌ای تنظیم شده که جریان نقطه کار ترانزیستورها برابر با 1mA باشد. بهره ولتاژ (V_o / V_s) ، به کدام گزینه نزدیک‌تر است؟



فرض کنید: $\mu_n c_{ox} = \mu_p c_{ox} = 200 \frac{\mu\text{A}}{\text{V}^2}$ ، $\lambda_n = \lambda_p = 0.1 \text{V}^{-1}$

- (۱) -۸۰
- (۲) -۴۰
- (۳) -۲۰
- (۴) -۸

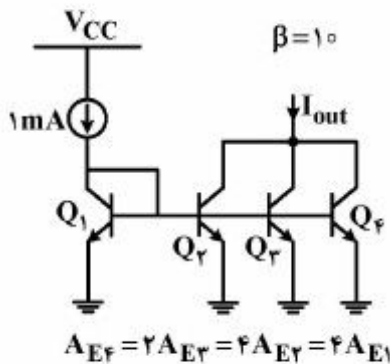
۶۵- مقدار بهره $\frac{V_o}{V_{cm}}$ ، کدام است؟



$g_{m_{1,2}} = 2 \frac{\text{mA}}{\text{V}}$
 $r_{o_{1,2}} = 10 \text{k}\Omega$

- (۱) $\frac{1}{12}$
- (۲) $\frac{1}{8}$
- (۳) $\frac{1}{6}$
- (۴) $\frac{1}{4}$

۶۶- در مدار زیر همه ترانزیستورها در ناحیه فعال بایاس شده‌اند. A_{Ei} سطح مقطع پیوند بیس - امیتر ترانزیستور آم است. مقدار جریان I_{out} برحسب میلی‌آمپر تقریباً کدام است؟

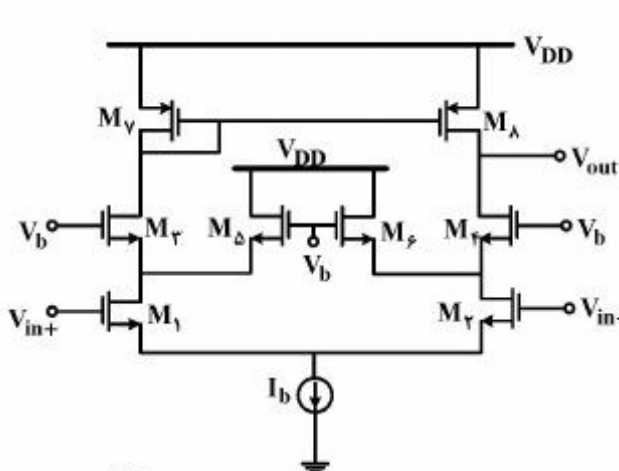


- (۱) ۴
- (۲) ۵
- (۳) ۶
- (۴) ۷

مستر تست: وبسایت تخصصی آزمون کارشناسی ارشد

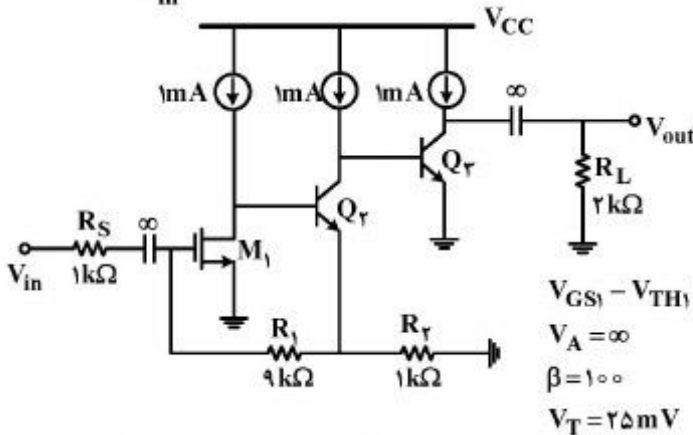
۶۷- در مدار تقویت‌کننده زیر همه ترانزیستورهای متناظر با هم یکسان بوده و در ناحیه اشباع بایاس شده‌اند. مقدار

بهره ولتاژ تفاضلی $A_d = \frac{V_{out}}{V_{in+} - V_{in-}}$ آن تقریباً برابر کدام است؟



- (۱) $g_{m1,2} = 10 \frac{A}{V}$ ۳۳
- (۲) $g_{m3,4} = 5 \frac{A}{V}$ ۵۰
- (۳) $g_{m5,6} = 5 \frac{A}{V}$ ۶۶
- (۴) $g_{m7,8} = 5 \frac{A}{V}$ ۱۰۰
- $g_{m9,10} = 5 \frac{A}{V}$
- $r_{ds} = 10 k\Omega$

۶۸- در مدار تقویت‌کننده زیر همه ترانزیستورها در ناحیه فعال بایاس شده‌اند. مقدار بهره ولتاژ $A_v = \frac{V_{out}}{V_{in}}$ آن

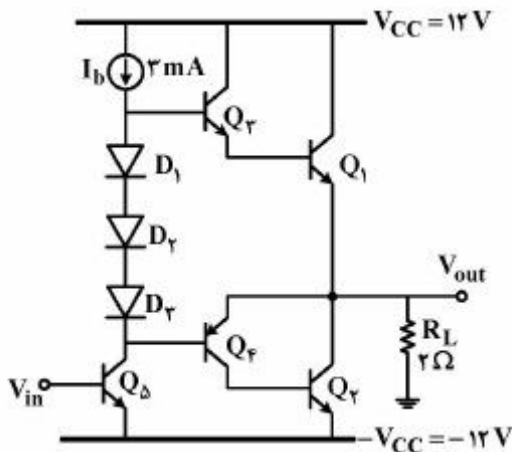


- تقریباً برابر کدام است؟
- (۱) ۸۰۰
 - (۲) ۱۰۰۰
 - (۳) ۱۶۰۰
 - (۴) ۲۰۰۰

$V_{GS1} - V_{TH1} = 0.2 V$
 $V_A = \infty$
 $\beta = 100$
 $V_T = 25 mV$

۶۹- در مدار تقویت‌کننده توان زیر، حداقل جریان لازم برای بایاس دیودهای D_1 ، D_2 و D_3 ، ۱ میلی‌آمپر بوده و حداقل افت ولتاژ لازم دو سر منبع جریان I_B ، ۰.۲ ولت است. حداکثر مقدار راندمان توان طبقه خروجی آن در

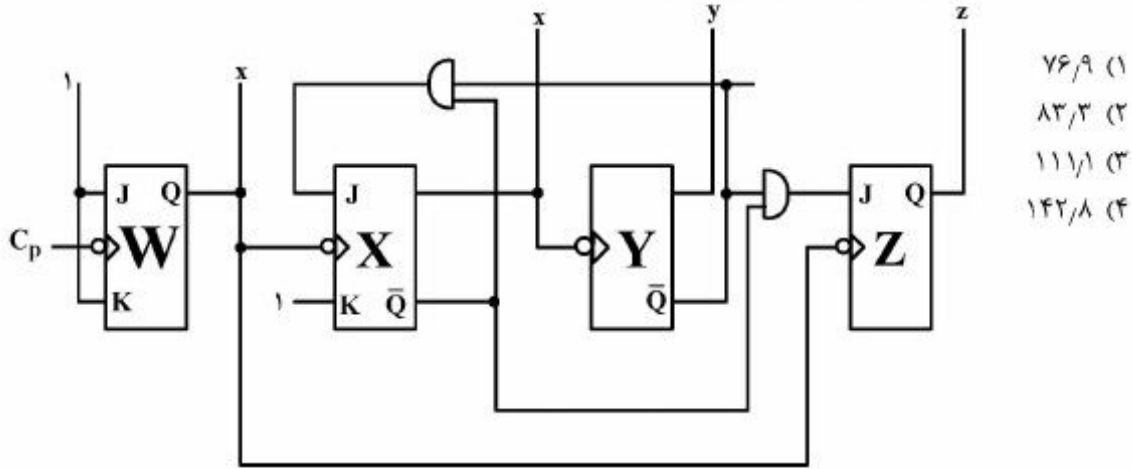
حالتی که V_{out} یک سیگنال سینوسی با دامنه متقارن باشد، برابر کدام است؟



- (۱) ۵۵
 - (۲) ۶۰
 - (۳) ۶۵
 - (۴) ۷۰
- $|V_{BE,on}| = 0.7 V$
 $|V_{CE,sat}| = 0.2 V$
 $V_T = 0.7 V$
 $\beta = 49$

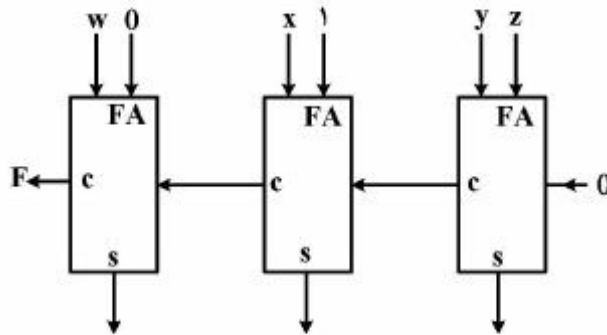
مستر تست: وبسایت تخصصی آزمون کارشناسی ارشد

۷۰- با فرض آنکه تأخیر یک گیت برابر 1ns و تأخیر خروجی یک فلیپ فلاپ نسبت به clock آن برابر 3ns باشد، حداکثر فرکانس C_p برای درست کارکردن مدار چند مگا هرتز است؟



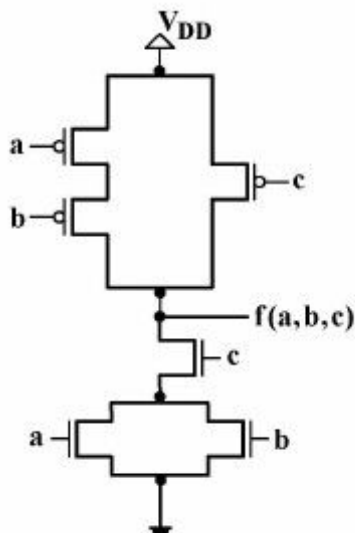
- (۱) ۷۶/۹
- (۲) ۸۳/۳
- (۳) ۱۱۱/۱
- (۴) ۱۴۲/۸

۷۱- مداری شامل سه تمام جمع کننده (Full Adder) مطابق شکل زیر است. مقدار تابع $F(w, x, y, z)$ کدام است؟



- (۱) wxyz
- (۲) wx + wyz
- (۳) wx(y + z)
- (۴) (w + x)y.z

۷۲- با فرض اینکه تأخیر ترانزیستورهای NMOS و PMOS به ترتیب برابر ۱ و ۲ نانوثانیه باشد، مدار زیر چه تابعی را پیاده‌سازی می‌کند و تأخیر بحرانی آن چند نانو ثانیه است؟



- (۱) $f(a, b, c) = \bar{a}\bar{b} + \bar{c}$, ۲
- (۲) $f(a, b, c) = ab + c$, ۲
- (۳) $f(a, b, c) = ab + c$, ۴
- (۴) $f(a, b, c) = \bar{a}\bar{b} + \bar{c}$, ۴

مستر تست: وبسایت تخصصی آزمون کارشناسی ارشد

صفحه ۱۹

111C

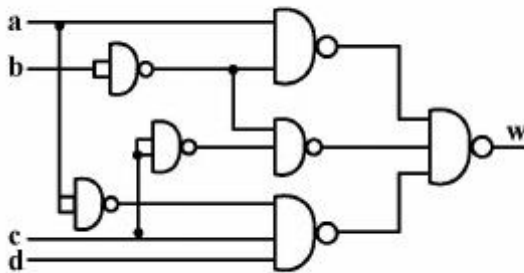
آزمون مجموعه مهندسی برق (کد ۱۲۵)

۷۳- برای اینکه کد verilog زیر توصیف یک شیفت رجیستر با ورودی Active-Low آسنکرون aclr باشد، کدام گزینه لیست حساسیت (Sensitivity List) بدنه always را نشان می‌دهد؟

```
module shift_reg(clk,aclr,sin,q);
  input clk,aclr,sin;
  output [3:0]q;
  reg [3:0]q;
  always@ (...)
  begin
    if(aclr == 1'b0)
      q = 4'b0000;
    else
      q = {sin,q[3:1]};
  end
end module
```

- (۱) posedge clk , negedge aclr
- (۲) posedge clk, clr
- (۳) posedge clk, ~aclr
- (۴) posedge clk

۷۴- در مدار زیر، گیت‌های دو ورودی 3NS و سه ورودی 5NS، تأخیر دارند. در رابطه با Hazard های این مدار، کدام گزینه درست است؟



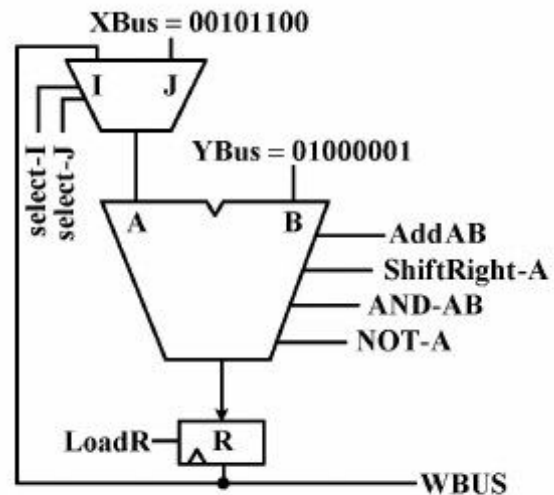
- (۱) در صورت تغییر abcd به صورت 0011 \leftrightarrow 0111 یک glitch به طول 1NS روی w دیده می‌شود.
- (۲) در صورت تغییر abcd به صورت 1011 \leftrightarrow 0011 یک glitch به طول 8NS روی w دیده می‌شود.
- (۳) در صورت تغییر abcd به صورت 0011 \leftrightarrow 0001 یک glitch به طول 5NS روی w دیده می‌شود.
- (۴) در صورت تغییر abcd به صورت 0011 \leftrightarrow 0001 یک glitch به طول 2NS روی w دیده می‌شود.

مستر تست: وبسایت تخصصی آزمون کارشناسی ارشد

۷۵- در datapath زیر سیگنال‌های کنترل توسط عملکرد آنها نام‌گذاری شده‌اند. در ۵ کلاک پشت‌سرهم سیگنال‌های کنترل طبق لیست فعال می‌شوند و در طول این زمان مقادیر XBus و YBus تغییر نمی‌کنند. مقدار روی WBus در پایان ۵ کلاک چه می‌شود؟

clock

- 1: select-I, AND-AB, Load-R
- 2: select-J, Add-AB, Load-R
- 3: select-J, Not-A
- 4: select-I, shift Right-A, Load-R
- 5: select-J, Add-AB



- (۱) 00110110
- (۲) 01101101
- (۳) 01001001
- (۴) 00101100

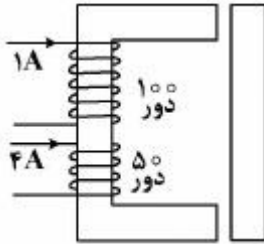
ماشین‌های الکتریکی (۲و۱) و تحلیل سیستم‌های انرژی الکتریکی ۱:

۷۶- توان اندازه‌گیری شده در آزمایش بی‌باری یک ترانسفورماتور تک‌فاز تحت ولتاژ اسمی برابر ۴ درصد توان اسمی و توان اندازه‌گیری شده در آزمایش اتصال کوتاه تحت جریان اسمی ۹ درصد توان اسمی است. راندمان بیشینه این ترانسفورماتور تحت بار اهمی خالص چقدر است؟

- (۱) $\frac{75}{84}$
- (۲) $\frac{75}{79}$
- (۳) $\frac{100}{127}$
- (۴) $\frac{100}{112}$

مستر تست: وبسایت تخصصی آزمون کارشناسی ارشد

۷۷- نیروی وارد بر قسمت متحرک در مبدل الکترومکانیکی شکل زیر در شرایط نشان داده شده F است. اگر جهت جریان در سیم‌پیچی 5° دوری عکس شود، اندازه نیرو چقدر می‌شود؟ جریان در سیم‌پیچی 10° دوری بدون تغییر باقی می‌ماند (جهت پیچش سیم‌پیچی‌ها مطابق شکل عکس هم است).



(۱) F

(۲) $2F$

(۳) $5F$

(۴) $9F$

۷۸- معادلات شار پیوندی سه سیم‌پیچی یک مدار مغناطیسی بر حسب شدت جریان آن‌ها به صورت زیر است:

$$\lambda_1 = 0.8i_1 + 0.4i_2 - 0.5i_3$$

$$\lambda_2 = 0.4i_1 + 0.3i_2$$

$$\lambda_3 = -0.5i_1 + 0.5i_2$$

مقدار کل انرژی ذخیره شده در میدان مغناطیسی در حالت $i_1 = i_2 = i_3 = 1A$ ، چند ژول است؟

(۱) 0.5

(۲) 0.7

(۳) 0.9

(۴) 1.1

۷۹- در یک موتور القایی با لغزش ۵ درصد، تلفات اهمی استاتور و تلفات اهمی رتور برابر و تلفات مکانیکی ۵ درصد توان فاصله هوایی است. با چشم‌پوشی از تلفات هسته، بازده موتور، کدام است؟

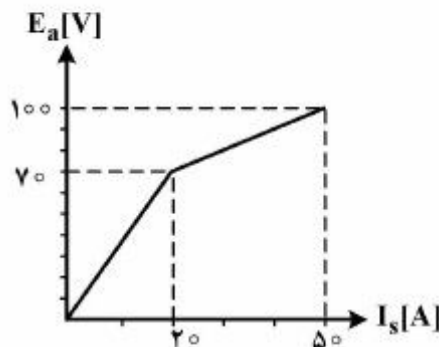
(۱) $\frac{95}{100}$

(۲) $\frac{90}{100}$

(۳) $\frac{95}{105}$

(۴) $\frac{90}{105}$

۸۰- مشخصه مغناطیسی یک ماشین سری در سرعت n به صورت زیر است. وقتی که این ماشین به صورت موتور از یک منبع 200 ولتی تغذیه می‌شود، با سرعت 1500 rpm و جریان آرمیچر 40 آمپر کار می‌کند. سرعت n چند rpm است؟ مقاومت آرمیچر و میدان مجموعاً 0.5 اهم است. از عکس‌العمل آرمیچر چشم‌پوشی می‌شود.



(۱) 750

(۲) 710

(۳) 650

(۴) 610

مستر تست: وبسایت تخصصی آزمون کارشناسی ارشد

۸۱- مقاومت‌های آرمیچر و میدان در یک ژنراتور شنت DC به ترتیب $0.8\ \Omega$ و $90\ \Omega$ اهم است. با اتصال یک مقاومت $10\ \Omega$ اهمی به دو سر خروجی ژنراتور، جریان آرمیچر 30 آمپر می‌شود. نیروی محرکه القا شده در آرمیچر چند ولت است؟

(۱) ۲۴۶

(۲) ۲۷۶

(۳) ۲۹۴

(۴) ۳۲۴

۸۲- در یک موتور القایی سه فاز با اتصال ستاره، جریان راه‌اندازی با اعمال ولتاژ اسمی پنج برابر جریان اسمی و گشتاور راه‌اندازی سه برابر گشتاور اسمی است. چنانچه با تغییر ولتاژ تغذیه، جریان راه‌اندازی به سه برابر جریان اسمی محدود شود، گشتاور راه‌اندازی موتور چقدر خواهد شد؟ T_n گشتاور اسمی موتور است.

(۱) $3\sqrt{\frac{3}{5}}T_n$

(۲) $\frac{9}{5}T_n$

(۳) $\frac{27}{25}T_n$

(۴) $\frac{25}{27}T_n$

۸۳- آرمیچر یک موتور DC تحریک جداگانه از یک منبع 250 ولتی تغذیه می‌شود و یک بار با گشتاور ثابت را با سرعت $1600\ \text{rpm}$ می‌چرخاند. توان ورودی به آرمیچر در این حالت $10\ \text{kW}$ است. اگر ولتاژ آرمیچر به $150\ \text{V}$ کاهش داده شود، سرعت موتور چند rpm می‌شود؟ مقاومت آرمیچر $0.25\ \Omega$ اهم است و جریان میدان ثابت فرض شود.

(۱) 933.3

(۲) 984.6

(۳) 2601.7

(۴) 2742.9

۸۴- سرعت یک موتور القایی، قطبی سه فاز $50\ \text{Hz}$ با سرعت 900 دور در دقیقه کار می‌کند. سرعت میدان روتور نسبت به بدنه استاتور چند برابر سرعت میدان روتور نسبت به بدنه روتور است؟

(۱) 0.1

(۲) 1.1

(۳) 9

(۴) 10

مستر تست: وبسایت تخصصی آزمون کارشناسی ارشد

۸۵- حداکثر رگولاسیون یک ترانسفورماتور تک فاز ۵kVA ، $400V/100V$ در بار اسمی 10% است. توان ورودی به آن در آزمایش اتصال کوتاه با جریان اسمی برابر $250W$ است. رگولاسیون ترانسفورماتور تحت ولتاژ و بار اسمی، تقریباً در چه ضریب توانی صفر می‌شود؟

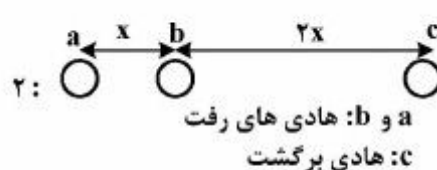
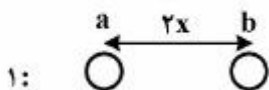
(۱) $\frac{\sqrt{3}}{3}$ پس فاز

(۲) 0.5 پس فاز

(۳) $\frac{\sqrt{3}}{3}$ پیش فاز

(۴) 0.5 پیش فاز

۸۶- مقدار x چقدر باشد، تا اندوکتانس‌های دو خط تک فاز ۱ و ۲ با هم برابر باشد؟ شعاع میانگین هندسی کلیه هادی‌ها یکسان و برابر r' است.



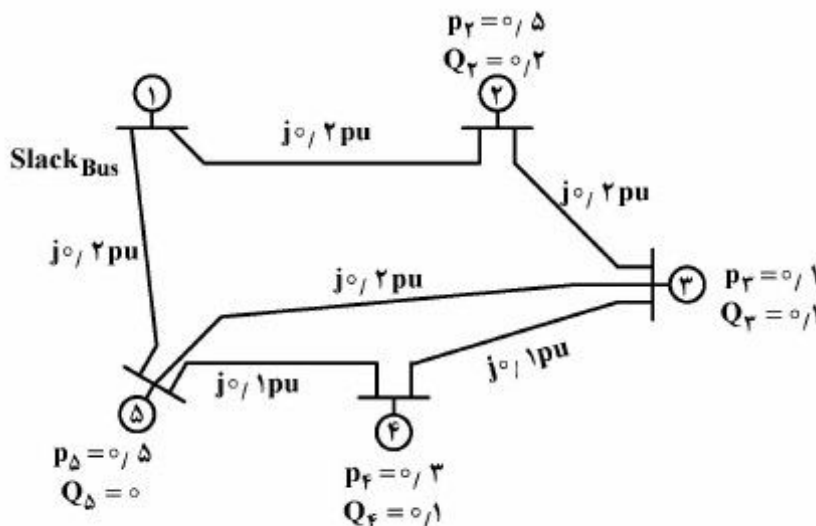
(۱) $x = \frac{37}{16} r'$

(۲) $x = \frac{21}{8} r'$

(۳) $x = \frac{9}{4} r'$

(۴) $x = \frac{5}{2} r'$

۸۷- یک سیستم قدرت ۵ باسه به شکل زیر داده شده است. باس اول، باس مرجع با ولتاژ $V_1 = 1\angle 0^\circ$ پرونیت می‌باشد. بقیه باس‌ها PQ هستند. توان باس‌ها و امپدانس تمامی خطوط روی شکل نشان داده شده است. ولتاژ باس شماره ۲ در تکرار اول به روش گوس سایدل، کدام است؟ فرض اولیه برای ولتاژ کلیه باس‌های PQ برابر $1\angle 0^\circ$ پرونیت می‌باشد.



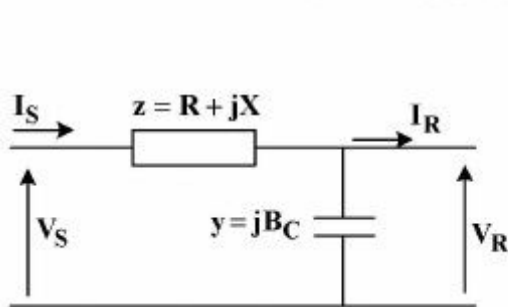
(۱) $0.98 - j0.05$

(۲) $1.02 - j0.05$

(۳) $1.02 + j0.05$

(۴) $0.98 + j0.05$

۸۸- برای یک خط انتقال با مدل زیر، رابطه بین ولتاژ و جریان ابتدا و انتهای خط، کدام است؟



$$\begin{bmatrix} V_S \\ I_S \end{bmatrix} = \begin{bmatrix} 1 + yz & z \\ y & 1 \end{bmatrix} \begin{bmatrix} V_R \\ I_R \end{bmatrix} \quad (1)$$

$$\begin{bmatrix} V_S \\ I_S \end{bmatrix} = \begin{bmatrix} 1 + yz & z \\ y & yz \end{bmatrix} \begin{bmatrix} V_R \\ I_R \end{bmatrix} \quad (2)$$

$$\begin{bmatrix} V_S \\ I_S \end{bmatrix} = \begin{bmatrix} 1 + yz & z \\ 1 & yz \end{bmatrix} \begin{bmatrix} V_R \\ I_R \end{bmatrix} \quad (3)$$

$$\begin{bmatrix} V_S \\ I_S \end{bmatrix} = \begin{bmatrix} 1 & z \\ y & 1 + yz \end{bmatrix} \begin{bmatrix} V_R \\ I_R \end{bmatrix} \quad (4)$$

۸۹- نسبت راکتانس القایی به راکتانس خازنی یک کیلومتر از خط انتقال در فرکانس 50 هرتز برابر عدد A است. این نسبت برای 100 کیلومتر از این خط و فرکانس 60 هرتز، چه ضریبی از عدد A خواهد بود؟

(۱) ۱

(۲) $1/2$

(۳) $1/2 \times 10^2$

(۴) $1/44 \times 10^4$

۹۰- یک خط انتقال سه فاز به طول 300 کیلومتر و ولتاژ 400 کیلوولت بدون تلفات مفروض است. در حالتی که انتهای خط باز و بی‌بار است، با نصب یک راکتور موازی در انتهای خط، ولتاژ انتها و ابتدای خط برابر می‌شوند. در این شرایط ولتاژ وسط خط چقدر است؟

$$V_m = V_s \quad (1)$$

$$V_m = \frac{V_s}{\cos \frac{\beta l}{2}} \quad (2)$$

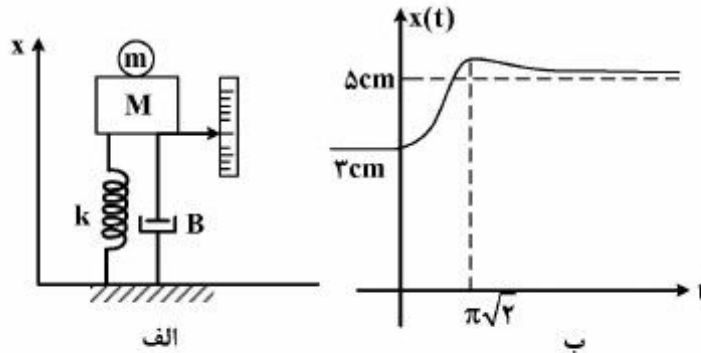
$$V_m = V_s \cos \frac{\beta l}{2} \quad (3)$$

$$V_m = \frac{V_s}{\sin \frac{\beta l}{2}} \quad (4)$$

مستر تست: وبسایت تخصصی آزمون کارشناسی ارشد

سیستم‌های کنترل خطی:

۹۱- در سیستم مکانیکی شکل الف که برای مدت طولانی در حالت سکون قرار داشته است، در لحظه $t = 0$ جرم $m = 0.2 \text{ kg}$ را از روی جرم $M = 1 \text{ kg}$ برمی‌داریم. در صورتی که $g = 10 \text{ m/s}^2$ باشد، مقدار k و B چقدر باشد تا تغییر مکان عقربه در شکل الف، مطابق شکل ب باشد.



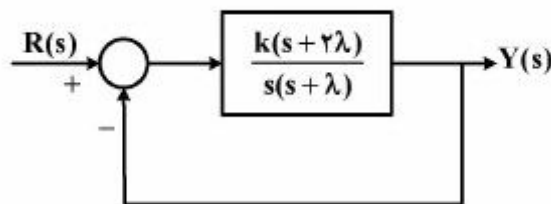
$$k = 1, B = \frac{2\sqrt{3}}{3} \quad (1)$$

$$k = 1, B = \sqrt{2} \quad (2)$$

$$k = 4, B = 2\sqrt{2} \quad (3)$$

$$k = 2, B = \sqrt{14} \quad (4)$$

۹۲- در سیستم زیر شیب پاسخ پله واحد در $t = 0$ برابر ۲ و مقدار λ به گونه‌ای است که کمترین ضریب میرایی (ζ) حاصل می‌شود. در این صورت زمان نشست تقریبی پاسخ پله سیستم با معیار ۲٪ چند ثانیه است؟



$$1 \quad (1)$$

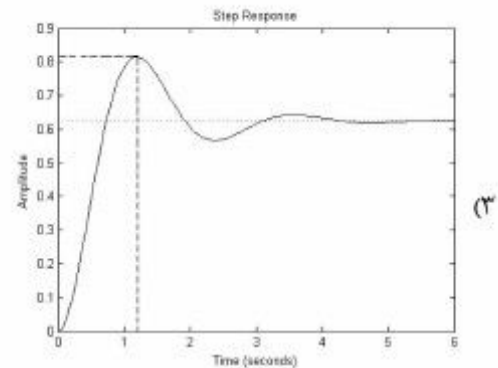
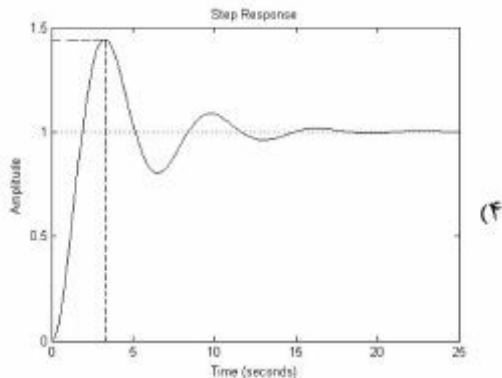
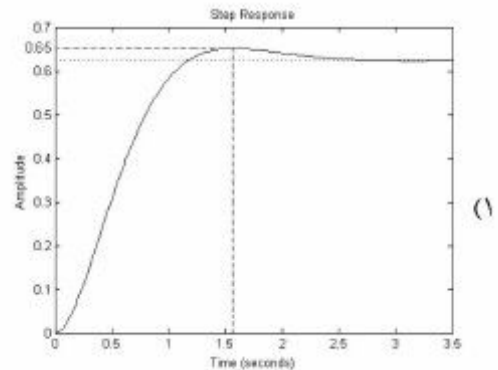
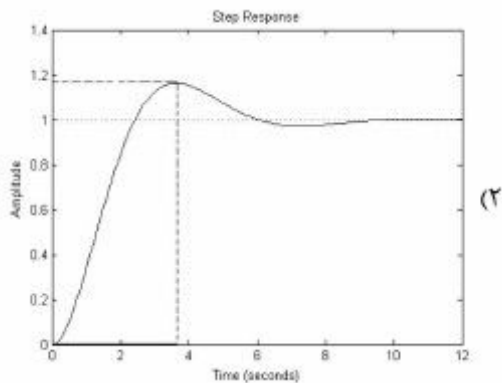
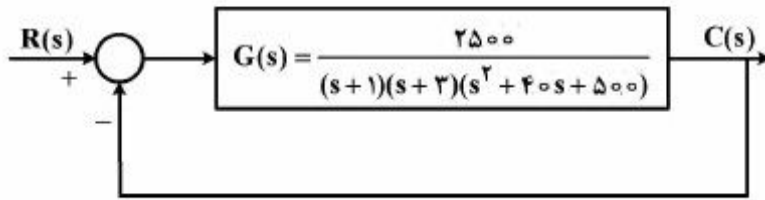
$$2 \quad (2)$$

$$1/5 \quad (3)$$

$$\frac{\lambda}{3} \quad (4)$$

مستر تست: وبسایت تخصصی آزمون کارشناسی ارشد

۹۳- برای محاسبه پاسخ پله سیستم حلقه بسته، تابع تبدیل $G(s)$ را توسط قطب‌های غالبش با یک سیستم مرتبه ۲ تقریب می‌زنیم. در این حالت پاسخ پله واحد سیستم حلقه بسته کدام است؟



۹۴- توصیف فضای حالت یک سیستم به صورت: $D = 2$, $C = (1, 0)$, $B = \begin{pmatrix} 0 \\ 1 \end{pmatrix}$, $A = \begin{pmatrix} -1 & 2 \\ k_1 & k_2 \end{pmatrix}$ است که در آن

k_1 و k_2 مقادیر ثابت‌اند. اگر پاسخ پله سیستم برای $t \geq 0$ به صورت: $\frac{2}{7} + C_1 e^{-2t} + C_2 e^{-5t}$ باشد، حاصل $C_1 + C_2$ کدام است؟

(۱) $0, 2$

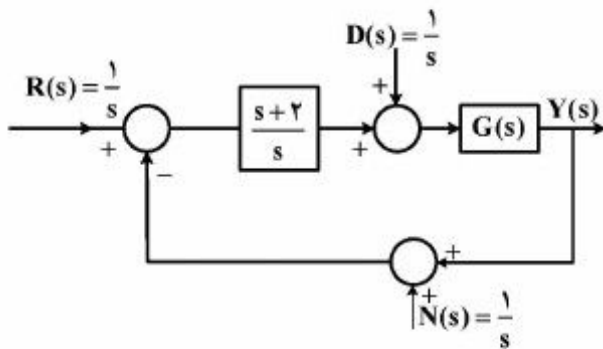
(۲) $-\frac{1}{3}$

(۳) $0, 2$

(۴) $\frac{2}{15}$

مستر تست: وبسایت تخصصی آزمون کارشناسی ارشد

۹۵- خطای حالت دائم سیستم زیر به ورودی پله چقدر است؟ (با فرض پایداری سیستم حلقه بسته)



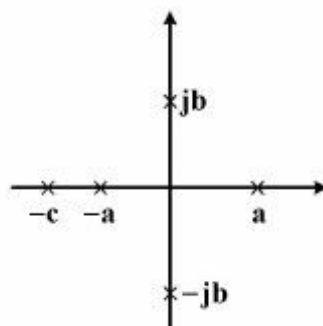
- (۱) -۱
- (۲) ۰
- (۳) +۱
- (۴) ۲

۹۶- کدام گزینه درست است؟

- (۱) سیستمی که دارای حد بهره بی‌نهایت و حد فاز 60° باشد با افزایش گین به میزان ده برابر و تأخیر فاز 30° هرگز ناپایدار نمی‌شود.
- (۲) اضافه کردن صفر سمت چپ به تابع تبدیل حلقه، مطمئناً سبب افزایش بالازدگی پاسخ پله سیستم حلقه بسته می‌شود.
- (۳) پاسخ حالت دائم سیستمی که یک جفت صفر در $\pm j$ دارد به ورودی $\sin t$ صفر است.

(۴) پایداری نسبی سیستم $G_1(s)$ از $G_2(s)$ بیشتر است. $G_1(s) = \frac{1}{s^2 + 1.6s + 1}$, $G_2(s) = \frac{64}{s^2 + 8s + 64}$

۹۷- مشخصه قطب‌های حلقه بسته سیستمی با تابع $G(s)$ در شکل زیر داده شده است. جدول رات - هورویتز برای معادله مشخصه این سیستم به صورت زیر به دست آمده است. در این مورد گزینه صحیح کدام است؟

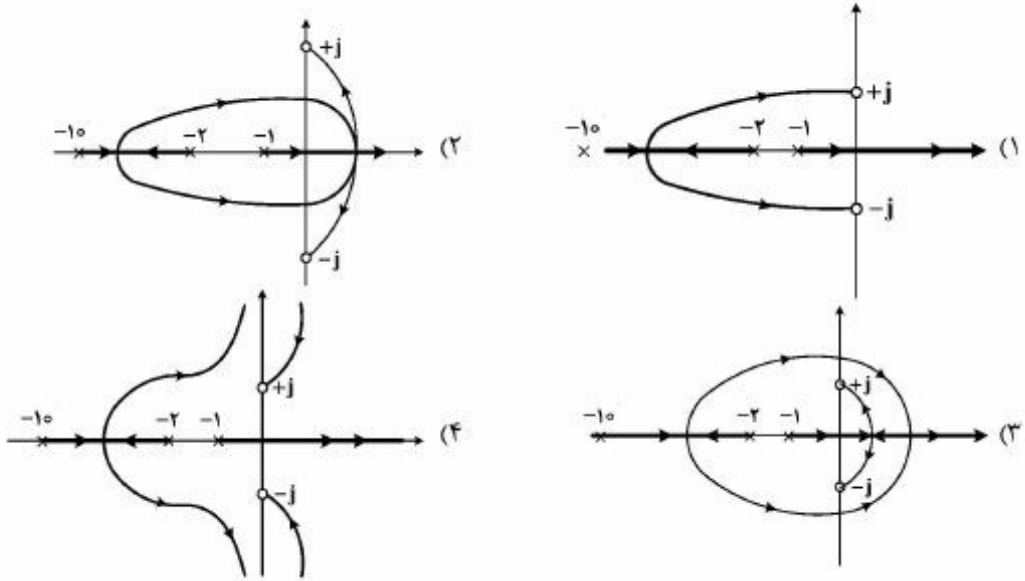


s^5	x_1	x	x
s^4	x_2	x	x
s^3	x_3	x	x
s^2	x_4	x	x
s^1	x_5	x	x
s^0	x_6	x	x

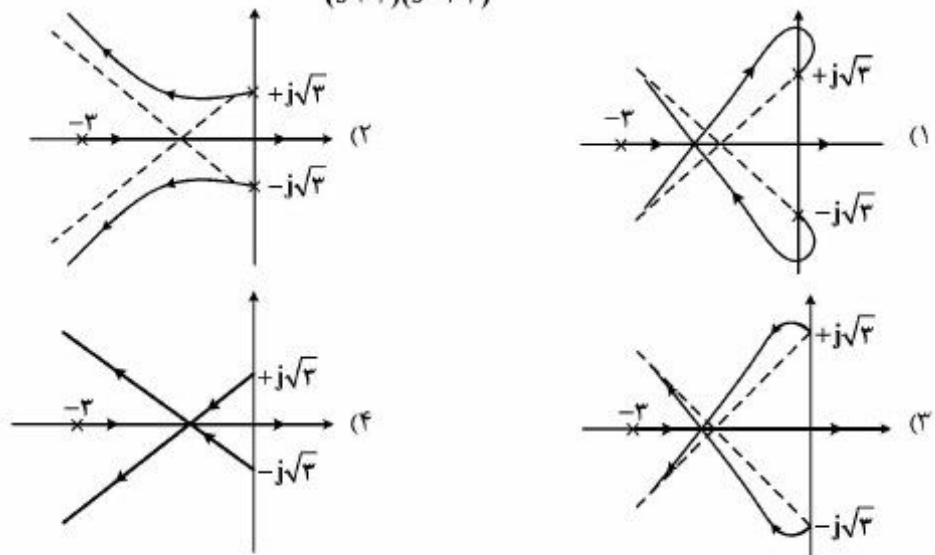
- (۱) $x_6 > 0$
- (۲) $x_2 < 0$
- (۳) $x_3 x_2 < 0$
- (۴) $x_4 x_5 x_6 < 0$

مستر تست: وبسایت تخصصی آزمون کارشناسی ارشد

۹۸- مکان هندسی ریشه‌های سیستم فیدبک واحد منفی با تابع تبدیل حلقه $G(s) = \frac{k(s^2 + 1)}{(s+1)(s+2)(s+10)}$ برای $k \leq 0$ ، کدام است؟

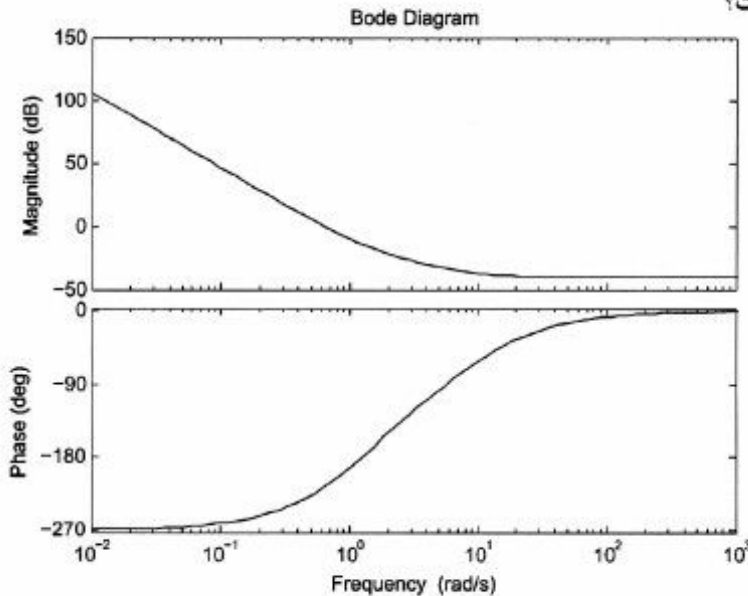


۹۹- مکان هندسی ریشه‌های سیستم $GH(s) = \frac{k}{(s+3)(s^2+3)}$ ، $(k \leq 0)$ ، کدام است؟



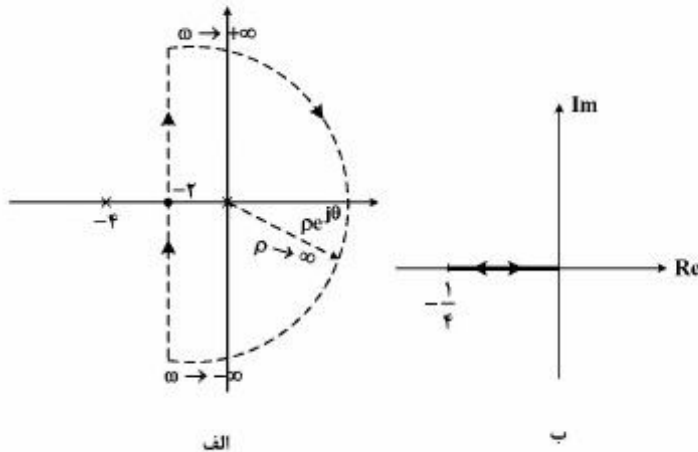
۱۰۰- دیاگرام بودی تابع تبدیل حلقه باز یک سیستم مینیمم فاز در شکل زیر داده شده است. کدام گزینه برای سیستم

حلقه بسته با فیدبک واحد، صحیح است؟



- ۱) سیستم ناپایدار است. $0 < k < \infty$
- ۲) سیستم مطلقاً پایدار است. $0 < k < \infty$
- ۳) سیستم به ازاء $-\infty < k < 0$ پایدار است.
- ۴) سیستم پایدار مشروط است.

۱۰۱- برای یک سیستم حلقه بسته با فیدبک واحد منفی، محل قطب‌های سیستم حلقه باز در شکل الف نشان داده شده است. شکل ب نگاشت کانتور نشان داده شده در شکل الف توسط تابع تبدیل حلقه باز را نشان می‌دهد. در این مورد گزینه صحیح کدام است؟



- ۱) زمان نشست پاسخ پله سیستم کمتر از ۲ ثانیه است.
- ۲) پاسخ پله سیستم حلقه بسته میرای قوی است.
- ۳) حد بهره سیستم کمتر از ۲۰ dB است.
- ۴) سیستم حلقه بسته ناپایدار است.

مستر تست: وبسایت تخصصی آزمون کارشناسی ارشد

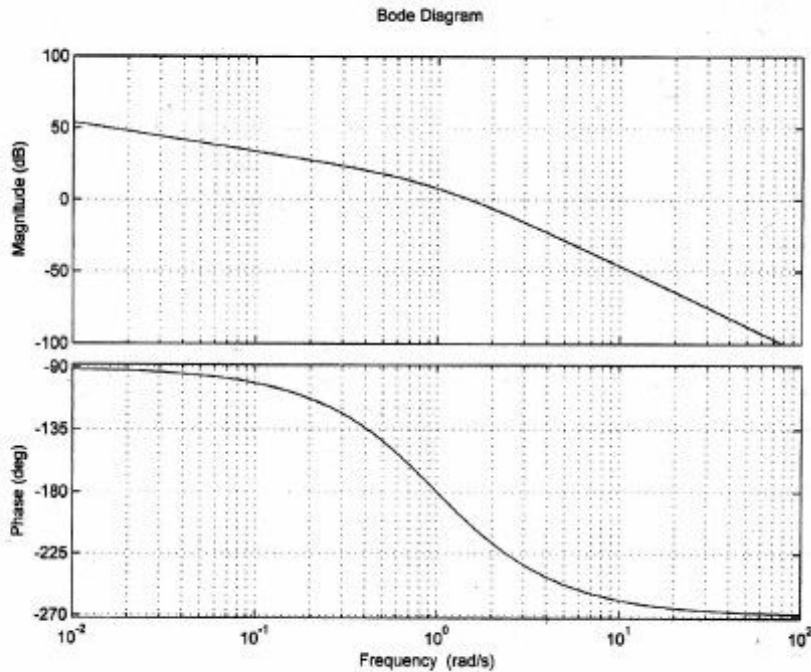
صفحه ۳۰

111C

آزمون مجموعه مهندسی برق (کد ۱۲۵)

۱۰۲- پاسخ فرکانسی تابع تبدیل حلقه یک سیستم با فیدبک واحد منفی در شکل زیر نشان داده شده است. ساده‌ترین جبران‌ساز برای دستیابی به مشخصات مطلوب زیر، کدام است؟

$$\begin{cases} K_v = 50 & \text{ثابت خطای سرعت} \\ \phi_{p.m} = 45^\circ & \text{حد فاز} \end{cases}$$



- (۱) Lag (پس فاز)
- (۲) Lead (پیش فاز)
- (۳) P (تناسبی)
- (۴) Lag-Lead (پس فاز - پیش فاز)

سیگنال‌ها و سیستم‌ها:

۱۰۳- گزینه درست در مورد سیستم زیر، کدام است؟ ($x[n]$ ورودی و $y[n]$ خروجی سیستم می‌باشد)

$$y[n] = (n^2 + 1)x[n^2] \sin\left(\frac{\pi n^2}{5}\right)$$

- (۱) سیستم پایدار است.
- (۲) سیستم خطی است.
- (۳) سیستم علی است.
- (۴) سیستم معکوس‌پذیر است.

مستر تست: وبسایت تخصصی آزمون کارشناسی ارشد

۱۰۴- تبدیل z سیگنال $x[n]$ و ناحیه همگرایی آن به صورت زیر است:

$$X(z) = \frac{z^4 + 2z^2}{z^4 - 2}, \quad |z| > 2$$

مقدار $x[n]$ در $n = 4$ برابر کدام است؟

- (۱)
- ۴ (۲)
- ۸ (۳)
- ۱۶ (۴)

۱۰۵- پاسخ ضربه یک سیستم LTI برابر است با:

$$h(t) = u(t + \frac{\pi}{4}) - u(t - \frac{\pi}{4})$$

پاسخ سیستم در لحظه $t = \frac{\pi}{4}$ به ورودی $\cos(2t)$ $x(t) = \left\{ u(t) - u(t - \frac{\pi}{4}) \right\}$ کدام است؟

- $-\frac{1}{2}$ (۱)
- (۲)
- $\frac{1}{2}$ (۳)
- ۱ (۴)

۱۰۶- $x_1(t)$ متناوب با پریود اصلی T_1 و ضرایب فوریه a_n و $x_2(t)$ متناوب با پریود اصلی $T_2 = 3T_1$ و ضرایب سری فوریه b_n است. ضرایب سری فوریه $y(t) = x_1(t) + x_2(t)$ با پریود اصلی $T_2 = 3T_1$ کدام است؟

- (۱) $\begin{cases} a_n + b_n & \text{اگر } n \text{ مضرب } 3 \text{ باشد} \\ b_n & \text{سایر} \end{cases}$
- (۲) $\begin{cases} a_n + b_n & \text{اگر } n \text{ مضرب } 3 \text{ باشد} \\ a_n & \text{سایر} \end{cases}$
- (۳) $\begin{cases} a_n + b_n & \text{اگر } n \text{ مضرب } 3 \text{ باشد} \\ b_n & \text{سایر} \end{cases}$
- (۴) $\begin{cases} a_n + b_n & \text{اگر } n \text{ مضرب } 3 \text{ باشد} \\ a_n & \text{سایر} \end{cases}$

مستر تست: وبسایت تخصصی آزمون کارشناسی ارشد

۱۰۷- ارتباط ورودی - خروجی یک سیستم زمان گسسته (ورودی $x[n]$ و خروجی $y[n]$) به صورت

$$y[n] = \begin{cases} -x[n] & \text{اگر } x[n] \geq x[n-2] \\ x[1-n] & \text{اگر } x[n] < x[n-2] \end{cases}$$

داده شده است. پاسخ این سیستم به ورودی $x[n] = \delta[n+1] - \delta[n]$ برابر کدام است؟

(۱) $\delta[n+1] + \delta[n-2]$

(۲) $\delta[n+1] + \delta[n-1]$

(۳) $-\delta[n+1] - \delta[n-1]$

(۴) $-\delta[n+1] - \delta[n-2]$

۱۰۸- سیگنالی داریم که طیف آن به شکل $X(j\omega) = j\sqrt{\pi} \operatorname{sgn}(\omega)[u(\omega+1) - u(\omega-1)]$ است. مقدار مشتق این

سیگنال در $t=0$ چقدر است؟

(۱) $-\frac{\sqrt{\pi}}{2}$

(۲) $-\frac{1}{\sqrt{\pi}}$

(۳) ۰

(۴) $-\frac{1}{2\sqrt{\pi}}$

۱۰۹- سیستمی با رابطه ورودی $x[n]$ و خروجی $y[n] = 2x[n] + 2x[n-1] - y[n-2]$ مفروض است. اگر سیستم در

شرایط آرامش اولیه (initial rest condition) باشد. پاسخ پله سیستم در $n=53$ کدام است؟

(۱) ۰

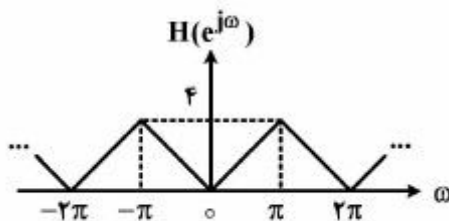
(۲) ۲

(۳) ۳

(۴) ۵

۱۱۰- یک سیستم LTI زمان - گسسته با پاسخ فرکانسی داده شده در شکل زیر مفروض است. خروجی این فیلتر به

ازای ورودی $x[n] = \sum_{k=-\infty}^{\infty} (-1)^k \delta[n-2k]$ برابر کدام است؟



(۱) $2(-1)^n + 2\cos\left(\frac{\pi}{2}n\right)$

(۲) $(-1)^n + \cos\left(\frac{\pi}{2}n\right)$

(۳) $\cos\left(\frac{\pi}{2}n\right)$

(۴) $2\cos\left(\frac{\pi}{2}n\right)$

۱۱۱- مقدار I در رابطه $I = \sum_{k=-\infty}^{\infty} \frac{\sin^2(\frac{k\pi}{2})}{k^2}$ برابر کدام است؟

(۱) $\frac{\pi^2}{2}$

(۲) π^2

(۳) $\frac{\pi}{2}$

(۴) $\frac{1}{2}$

۱۱۲- رابطه $(f * f)(t) = \int_{-\infty}^{\infty} f(\tau) f(t-\tau) d\tau$ برای کدام یک از توابع زیر برقرار است؟

(۱) $\frac{1}{\pi^2 + t^2}$

(۲) $\frac{1}{\pi \delta - jt}$

(۳) $\frac{\sin(\pi t)}{\pi t}$

(۴) $2\pi \delta(\frac{t}{2} - 1)$

۱۱۳- فرض کنید $x(t)$ یک سیگنال پیوسته و $a[n]$ یک سیگنال گسسته باشد. «کانولوشن» این دو سیگنال را به صورت زیر تعریف می‌کنیم (که خودش سیگنال پیوسته $y(t)$ می‌شود):

$$y(t) = \sum_{n=-\infty}^{+\infty} a[n]x(t-n)$$

رابطه تبدیل فوریته این سیگنال‌ها یعنی $X(j\omega)$ ، $A(e^{j\omega})$ ، $Y(j\omega)$ کدام است؟

(۱) $Y(j\omega) = A(e^{j\omega})X(j\omega)$

(۲) $Y(j\omega) = \frac{1}{2\pi} A(e^{j\omega})X(j\omega)$

(۳) $Y(j\omega) = A(e^{j\omega}) \sum_{k=-\infty}^{+\infty} X(j(\omega - 2k\pi))$

(۴) $Y(j\omega) = \frac{1}{2\pi} A(e^{j\omega}) \sum_{k=-\infty}^{+\infty} X(j(\omega - 2k\pi))$

مستر تست: وبسایت تخصصی آزمون کارشناسی ارشد

۱۱۴- S، سیستم LTI، با پاسخ ضربه $h(t) = \frac{\sin(\pi(t-1))}{\pi(t-1)}$ را در نظر بگیرید. پاسخ این سیستم به ورودی

$x(t) = \left(\frac{\sin(\pi t)}{\pi t}\right)^2$ کدام است؟

$$\frac{\sin(\pi(t-1))}{\pi(t-1)} \times \frac{\sin(\pi(t-\frac{1}{2}))}{\pi(t-\frac{1}{2})} \quad (1)$$

$$\left(\frac{\sin(\pi(t-1))}{\pi(t-1)}\right)^2 \quad (2)$$

$$\left(\frac{\sin(\pi t)}{\pi t}\right)^2 \quad (3)$$

$$\left(\frac{\sin(\pi(t-\frac{1}{2}))}{\pi(t-\frac{1}{2})}\right)^2 \quad (4)$$

الکترومغناطیس:

۱۱۵- یک کره رسانا به شعاع a دارای بار الکتریکی Q می‌باشد. $\frac{1}{3}$ انرژی سیستم، در چه فاصله‌ای از مرکز کره نهفته است؟

$$\frac{a}{3} \quad (1)$$

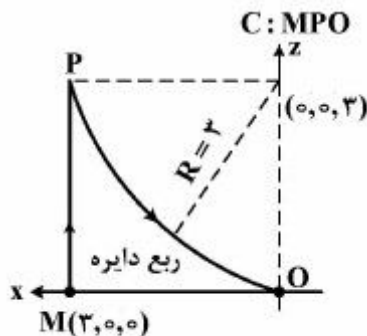
$$\frac{2a}{3} \quad (2)$$

$$\frac{2a}{2} \quad (3)$$

$$2a \quad (4)$$

۱۱۶- میدان برداری $\vec{A}(\rho, \phi, z) = 2\rho \cos \phi \hat{\rho} + 4 \sin \phi \hat{\phi} + 2 \cos \phi \hat{z}$ داده شده است. برای مسیر C نشان داده

شده در شکل مقدار انتگرال خط $\int_C \vec{A} \cdot d\vec{l}$ کدام است؟



$$-\frac{27}{2} \quad (1)$$

$$-\frac{7}{2} \quad (2)$$

$$\frac{7}{2} \quad (3)$$

$$\frac{27}{2} \quad (4)$$

مستر تست: وبسایت تخصصی آزمون کارشناسی ارشد

۱۱۷- بین دو استوانه هم محور به شعاع‌های a و b ($a < b$) یک ماده رسانا با رسانایی ویژه σ ($\frac{S}{m}$) قرار گرفته است.

چگالی جریان حجمی بین دو استوانه با عبارت $\vec{J} = \frac{A}{\rho} \hat{\rho}$ ($\frac{A}{m^2}$) بیان می‌شود. (A عدد ثابتی است). توان تلف

شده در ماده بین دو سطح استوانه بر واحد طول استوانه، چند وات است؟

$$\frac{A^2}{\sigma} \ln \frac{b}{a} \quad (۱)$$

$$\frac{2\pi A^2}{\sigma} \ln \frac{b}{a} \quad (۲)$$

$$\frac{\pi A^2}{\sigma} \ln \frac{b}{a} \quad (۳)$$

$$\frac{\pi A^2}{2\sigma} \ln \frac{b}{a} \quad (۴)$$

۱۱۸- یک حلقه مربعی به ضلع a و به فاصله s از یک سیم بلند حامل جریان I قرار دارد. حلقه و سیم هر دو در صفحه

xy هستند. اگر جریان داخل سیم برای $t \geq 0$ با نرخ ثابت α ($\frac{A}{s}$) به سمت صفر میل کند، emf القایی در حلقه

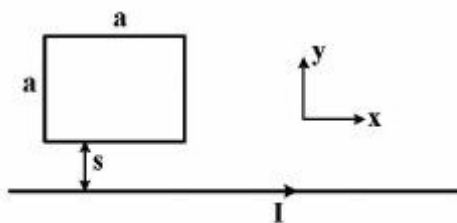
مربعی، برای $t > 0$ کدام است؟

$$\frac{\mu_0}{2\pi} \alpha a \ln\left(1 + \frac{a}{s}\right) \quad (۱)$$

$$\frac{\mu_0 I}{2\pi} \alpha a \ln\left(1 + \frac{a}{s}\right) \quad (۲)$$

$$\frac{\mu_0}{\pi} \alpha a \frac{1}{1 + 2\frac{s}{a}} \quad (۳)$$

$$\frac{\mu_0 I}{\pi} \alpha a \frac{1}{1 + 2\frac{s}{a}} \quad (۴)$$



۱۱۹- عبارت تابع پتانسیل الکتریکی را در ناحیه $y \geq -\frac{\pi}{2k}$ به صورت $V(x,y) = V_0 e^{-kx} \cos ky$ فرض می‌کنیم.

(V_0 و k اعدادی ثابت‌اند.) سطح $y = -\frac{\pi}{2k}$ را یک صفحه رسانا تشکیل می‌دهد. مقدار باری که در ناحیه نیم‌نوار

$0 < x < \infty$ و $0 < z < 1$ بر روی صفحه رسانا قرار دارد، کدام است؟

(۱) $-k\epsilon_0 V_0$

(۲) $-\epsilon_0 V_0$

(۳) $\epsilon_0 V_0$

(۴) $k\epsilon_0 V_0$

۱۲۰- فرض کنید کل فضا با یک دیامغناطیس با ضریب نفوذپذیری نسبی μ_r پر شده باشد. اکنون در این فضا جریان

رشته‌ای به مقدار I آمپر را بر روی محیط یک N ضلعی متساوی‌الاضلاع که شعاع دایره محیطی آن a است، برقرار

می‌کنیم، اندازه بردار مغناطیس شدگی $|\vec{M}|$ در مرکز این چند ضلعی کدام است؟

(۱) $(\mu_r - 1) \frac{|I|}{2a} \frac{N}{\pi} \sin\left(\frac{\pi}{N}\right)$

(۲) $(1 - \mu_r) \frac{|I|}{2a} \frac{N}{\pi} \sin\left(\frac{\pi}{N}\right)$

(۳) $(\mu_r - 1) \frac{|I|}{2a} \frac{N}{\pi} \tan\left(\frac{\pi}{N}\right)$

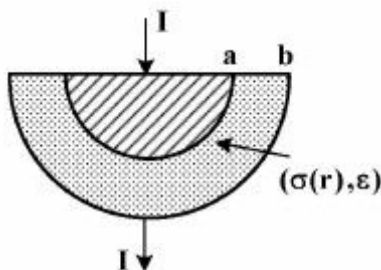
(۴) $(1 - \mu_r) \frac{|I|}{2a} \frac{N}{\pi} \tan\left(\frac{\pi}{N}\right)$

۱۲۱- مطابق شکل زیر، یک مقاومت الکتریکی از دو الکتروود رسانای کامل به شکل نیمکره‌هایی هم‌مرکز به شعاع a و b

که فضای بین آن‌ها از ماده‌ای با رسانایی غیریکنواخت $\sigma(r) = \sigma_0 \frac{a}{r}$ و ضریب گذردهی ثابت ϵ پر شده، تشکیل

شده است. r فاصله تا مرکز نیمکره‌ها است. اگر جریان کل I از مقاومت عبور کند، چگالی جرمی بارهای آزاد

درون ماده رسانا، با کدام گزینه بیان می‌شود؟



(۱) $\frac{\epsilon I a}{2\pi \sigma_0 r^2}$

(۲) $\frac{\epsilon I}{2\pi \sigma_0 a r^2}$

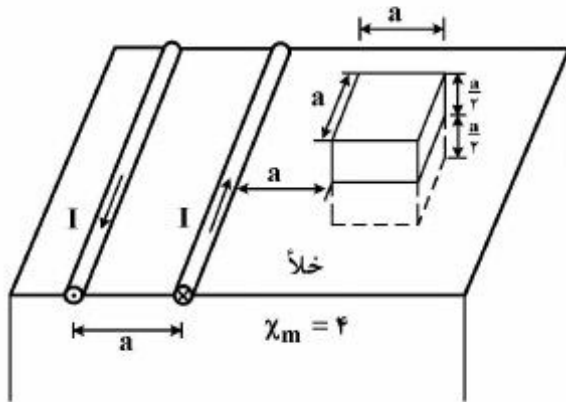
(۳) $\frac{\epsilon I}{2\pi \sigma_0 a r^2}$

(۴) صفر

مستر تست: وبسایت تخصصی آزمون کارشناسی ارشد

۱۲۲- دو رشته جریان I و $-I$ (شکل زیر) روی فصل مشترک خلأ با یک نیم فضای پر شده از یک ماده مغناطیسی با $\chi_m = 4$ به موازات یکدیگر قرار گرفته‌اند. یک حجم فرضی ریاضی به شکل یک مکعب به ضلع a در فاصله a از یکی از جریان‌های رشته‌ای در نظر می‌گیریم. به ازای $I = \frac{3}{4} A$ حاصل انتگرال سطح بسته $\oint \vec{H} \cdot d\vec{s}$ روی سطح این مکعب فرضی، کدام است؟ توجه کنید که نیمی از این مکعب در خلأ و نیمی از آن درون ماده مغناطیسی است.

(۱) صفر



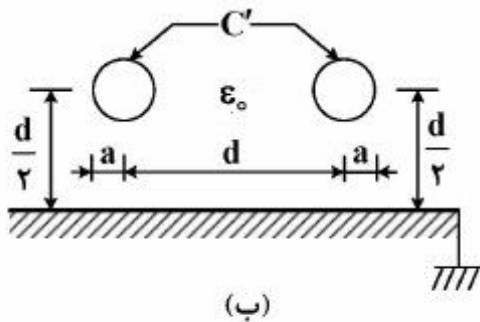
(۲) $\frac{9a}{10\pi} \ln\left(\frac{3}{4}\right)$

(۳) $\frac{3a}{\pi} \ln\left(\frac{3}{4}\right)$

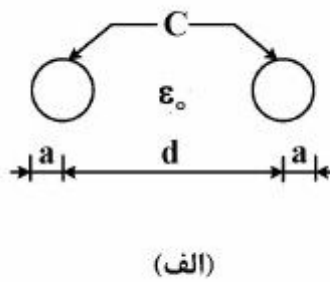
(۴) $\frac{a}{\pi} \ln\left(\frac{3}{4}\right)$

۱۲۳- فاصله مراکز دو کره رسانا که شعاع هر یک از آنها a است (شکل الف)، برابر d می‌باشد. وقتی فضای اطراف این دو کره خلأ باشد، ظرفیت الکتریکی بین آنها C است. اگر یک صفحه رسانای زمین شده با سطح بی‌نهایت (شکل ب) در کنار این دو کره قرار داده شود، مقدار ظرفیت بین دو کره برابر C' خواهد شد. چنانچه $\frac{d}{a} = 5$ باشد، (یعنی بتوان به‌طور تقریبی توزیع بار روی کره‌ها را یکنواخت فرض کرد) آنگاه نسبت $\frac{C'}{C}$ کدام است؟

(۱)



(ب)



(الف)

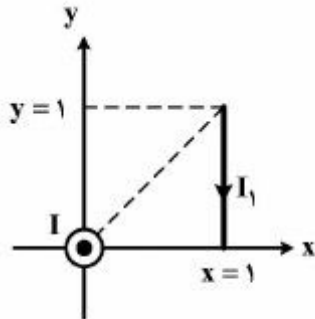
(۲) $\frac{48}{47}$

(۳) $\frac{4\sqrt{2}}{3\sqrt{2}+1}$

(۴) $\frac{3\sqrt{2}+1}{2\sqrt{2}}$

مستر تست: وبسایت تخصصی آزمون کارشناسی ارشد

۱۲۴- مطابق شکل زیر، یک سیم بی‌نهایت طولی که بر محور z منطبق است، حامل جریان I به سمت خارج از صفحه است. نیروی F وارد بر بخشی از یک مدار که حامل جریان I₁ در جهت -ŷ است و روی پاره‌خط کشیده شده از (x, y) = (1, 0) به (x, y) = (1, 1) قرار دارد، کدام است؟



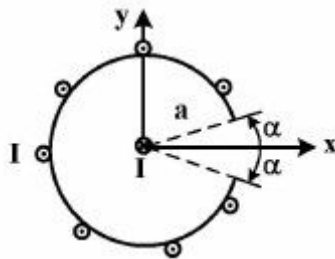
(۱) $-\frac{\mu_0 I_1 I}{2\pi} \ln 2 \hat{z}$

(۲) $-\frac{\mu_0 I_1 I}{4\pi} \ln 2 \hat{z}$

(۳) $\frac{\mu_0 I_1 I}{2\pi} \ln 2 \hat{z}$

(۴) $\frac{\mu_0 I_1 I}{4\pi} \ln 2 \hat{z}$

۱۲۵- همانند شکل در فضای خالی، روی سطح جانبی یک استوانه بی‌نهایت طولی به شعاع a که محور آن بر محور z منطبق است، جریان I آمپر به‌طور یکنواخت از $\phi = \alpha$ تا $\phi = 2\pi - \alpha$ توزیع شده است. از سوی دیگر روی محور این استوانه یک توزیع جریان رشته‌ای به مقدار I آمپر در جهت -z برقرار شده است. نیروی واحد طول وارد بر این جریان رشته‌ای کدام است؟



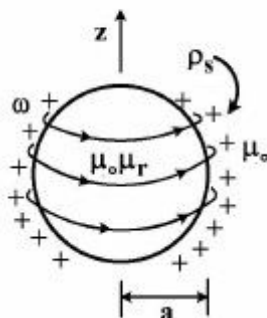
(۱) $-\hat{x} \frac{\mu_0 I^2}{2\pi a(2\pi - \alpha)} \sin \alpha$

(۲) $-\hat{x} \frac{\mu_0 I^2}{2\pi a(\pi - \alpha)} \sin \alpha$

(۳) $\hat{x} \frac{\mu_0 I^2}{2\pi a(2\pi - \alpha)} \sin \alpha$

(۴) $\hat{x} \frac{\mu_0 I^2}{2\pi a(\pi - \alpha)} \sin \alpha$

۱۲۶- در فضای خالی کره‌ای به شعاع a = ۲m از جنس یک ماده مغناطیسی فرضی با ضریب نفوذپذیری نسبی $\mu_r = 10$ و به مرکز مبدأ مختصات مفروض است. روی پوسته کره $r = a^+$ یک توزیع بار الکتریکی سطحی با چگالی ثابت ρ_s در نظر می‌گیریم. این توزیع بار همانند شکل با سرعت زاویه‌ای ω حول محور z در جهت ϕ به دوران درمی‌آید. اندازه میدان مغناطیسی $|\vec{B}|$ ایجاد شده در مرکز کره مغناطیسی، کدام است؟



(۱) $\frac{10}{3} \mu_0 \omega \rho_s$

(۲) $\frac{20}{3} \mu_0 \omega \rho_s$

(۳) $\frac{4}{3} \mu_0 \omega \rho_s$

(۴) $\frac{8}{3} \mu_0 \omega \rho_s$

۱۲۷- در رابطه با آزمایش‌های هاجکین‌هاکسلی، گزینه صحیح کدام است؟

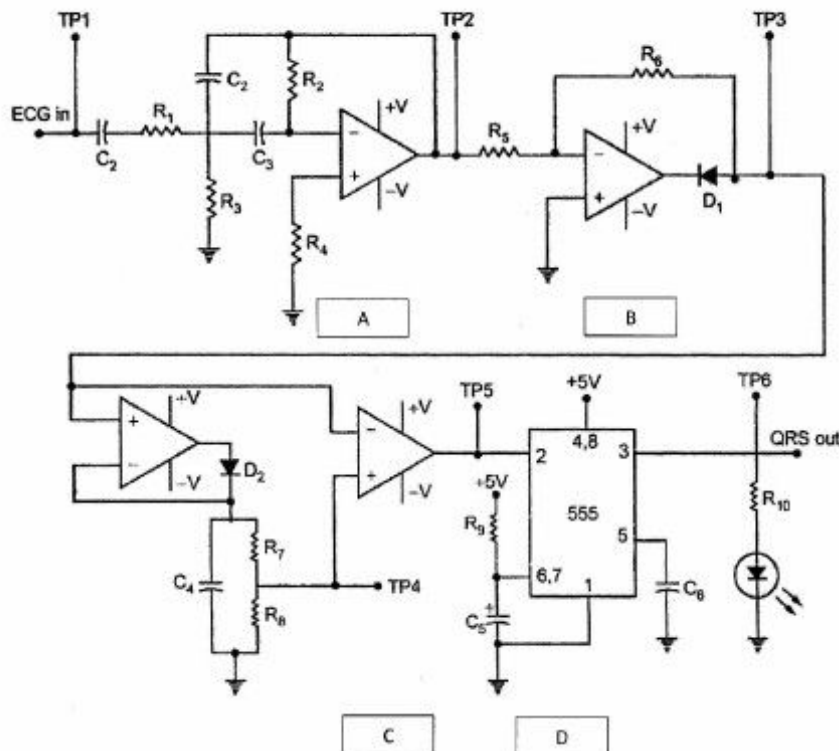
(۱) ولتاژ کلمپ جهت اندازه‌گیری جریان هر کدام از کانال‌های یونی به صورت مجزا می‌باشد که در آن پتانسیل غشا ثابت نگه داشته می‌شود.

(۲) ولتاژ کلمپ جهت اندازه‌گیری جریان هر کدام از کانال‌های یونی به صورت مجزا می‌باشد که در آن پتانسیل غشا متغیر است.

(۳) space-clamp تکنیکی به منظور ثبت و اندازه‌گیری جریان هر کدام از کانال‌های یونی به صورت مجزا از هم می‌باشد.

(۴) patch-clamp تکنیکی به منظور ثبت و اندازه‌گیری جریان هر کدام از کانال‌های یونی به صورت مجزا از هم می‌باشد.

۱۲۸- مدار زیر مربوط به یک دیتکتور QRS می‌باشد. A, B, C و D, هر کدام چه مداری می‌باشد؟



(۱) مولتی ویراتور منواستابل: D, مقایسه‌گر: C, یکسوساز نیم موج: B, A: QRS Filter

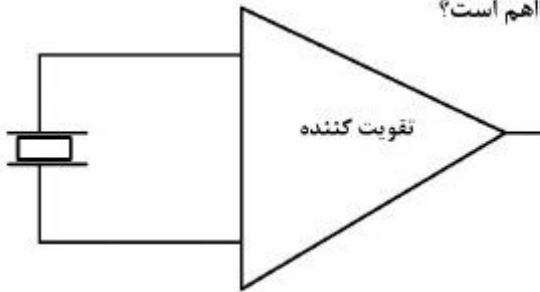
(۲) مولتی ویراتور آستابل: D, مقایسه‌گر: C, یکسوساز نیم‌موج: B, A: Filter

(۳) مولتی ویراتور منواستابل: D, مدار تغییر سطح: C, پیک دیتکتور: B, تقویت کننده: A

(۴) مولتی ویراتور آستابل: D, مدار تغییر سطح: C, یکسو سازی تمام موج: B, A: QRS Filter

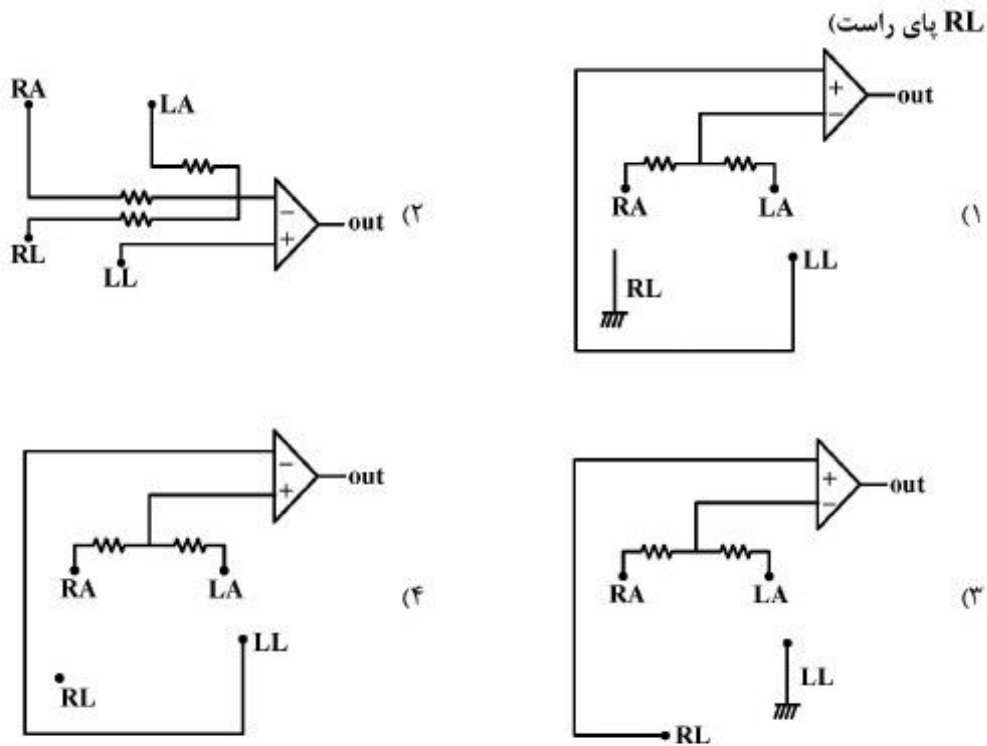
مستر تست: وبسایت تخصصی آزمون کارشناسی ارشد

۱۲۹- برای آشکارسازی ضربان نبض در محدوده ۶۰ تا ۲۴۰ BPM، از یک سنسور پیزوالکتریک مطابق زیر استفاده می‌شود. اگر مقاومت نشستی سنسور $5G\Omega$ و ظرفیت معادل خازن‌های سنسور، کابل‌ها و ورودی تقویت‌کننده $3/2nf$ باشد، حداقل مقاومت ورودی تقویت‌کننده، چند مگا اهم است؟



- (۱) ۱۲/۵
- (۲) ۵۰
- (۳) ۱۲۵
- (۴) ۵۰۰

۱۳۰- برای ثبت سیگنال قلبی aVF ، کدام آرایش مناسب است؟ LA: دست چپ، RA: دست راست، LL: پای چپ، RL: پای راست



۱۳۱- اگر یک دماسنج تشعشعی، ماکزیمم توان تشخیص از یک جسم را در طول موج $9/60\mu m$ نشان دهد، کدام گزینه دمای جسم را با تقریب بهتری نشان می‌دهد؟

- (۱) $26/5^{\circ}C$
- (۲) $28/9^{\circ}C$
- (۳) $300/9^{\circ}K$
- (۴) $310/5^{\circ}K$

مستر تست: وبسایت تخصصی آزمون کارشناسی ارشد

۱۳۲- برای اندازه‌گیری میزان جابه‌جایی یک دیافراگم ناشی از نیروی اعمال شده به آن از پتانسیومتر خطی استفاده شده است. اگر تعداد دور پتانسیومترهای خطی موجود بین ۱۰ تا ۳۰ دور بر میلی‌متر باشد، بهترین رزولوشن اندازه‌گیری جابه‌جایی دیافراگم چند میلی‌متر است؟

(۱) ۰/۰۲۵

(۲) ۰/۰۳۳

(۳) ۰/۱

(۴) ۰/۲

۱۳۳- فضای درون سلولی و خارج سلولی یک سلول شامل NaCl و KCl است. اگر غشا نسبت به Cl^- ، K^+ و Na^+ نفوذپذیر و مقادیر غلظت‌ها در داخل و خارج سلول به صورت زیر و تعادل Donnan برقرار باشد، ولتاژ غشاء و

غلظت Cl^- در فضای داخل سلولی کدام است؟ $\ln(10) = 2.3$ و $\frac{kT}{q} = \frac{RT}{F} = 25\text{mV}$

$$[\text{K}^+]_{\text{in}} = 5 \frac{\text{mMol}}{\text{lit}} \quad [\text{K}^+]_{\text{out}} = 50 \frac{\text{mMol}}{\text{lit}}$$

$$[\text{Na}^+]_{\text{in}} = 35 \frac{\text{mMol}}{\text{lit}} \quad [\text{Cl}^-]_{\text{out}} = 0.85 \frac{\text{mMol}}{\text{lit}}$$

(۱) $[\text{Cl}^-]_{\text{in}} = 0.85 \frac{\text{mMol}}{\text{lit}}$ و $V = 57.5\text{mV}$

(۲) $[\text{Cl}^-]_{\text{in}} = 8.5 \frac{\text{mMol}}{\text{lit}}$ و $V = -57.5\text{mV}$

(۳) $[\text{Cl}^-]_{\text{in}} = 8.5 \frac{\text{mMol}}{\text{lit}}$ و $V = 57.5\text{mV}$

(۴) $[\text{Cl}^-]_{\text{in}} = 0.85 \frac{\text{mMol}}{\text{lit}}$ و $V = -57.5\text{mV}$

۱۳۴- اگر ولتاژ $\text{Lead I} = 0.5\text{mV}$ و $\text{Lead II} = 0.9\text{mV}$ و $\text{Lead III} = 0.4\text{mV}$ باشد، قدرمطلق ولتاژ لیدهای

aVF ، aVR ، aVL ، به ترتیب چند میلی‌ولت است؟

(۱) $aVF = 0.7$ ، $aVR = 0.65$ ، $aVL = 0.55$

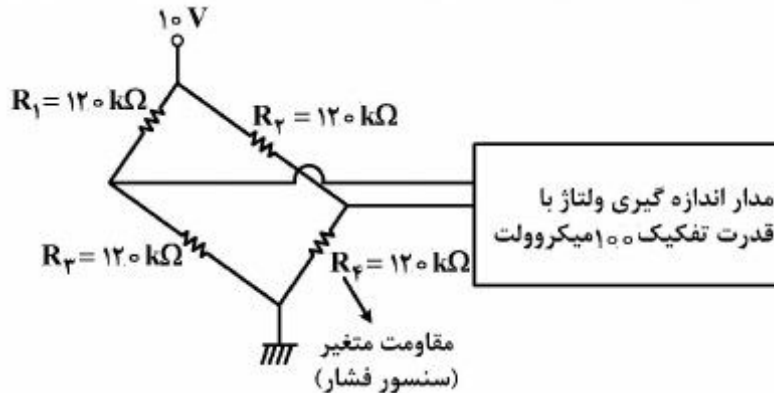
(۲) $aVF = 0.65$ ، $aVR = 0.55$ ، $aVL = 0.7$

(۳) $aVF = 0.7$ ، $aVR = 0.65$ ، $aVL = 0.65$

(۴) $aVF = 0.65$ ، $aVR = 0.7$ ، $aVL = 0.55$

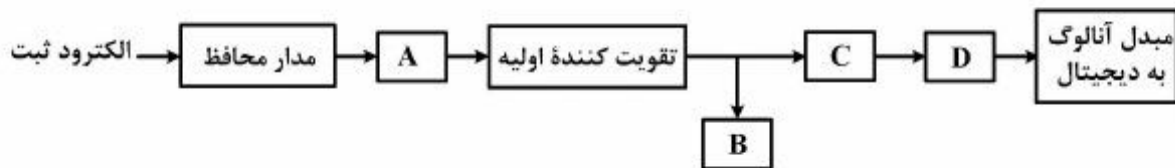
مستر تست: وبسایت تخصصی آزمون کارشناسی ارشد

۱۳۵- سنسور فشاری موجود است که میزان فشار مورد اندازه‌گیری را به تغییر مقاومت تبدیل می‌نماید. جهت استفاده از آن، از مدار پلی به صورت زیر استفاده شده است. اگر ولتاژ تغذیه این مدار ۱۰ ولت باشد و جهت خواندن ولتاژ خروجی آن از مداری استفاده نماییم که قدرت تفکیک آن ۱۰۰ میکروولت باشد، تفکیک‌پذیری مقاومت متغیر در مدار پل چند اهم است؟



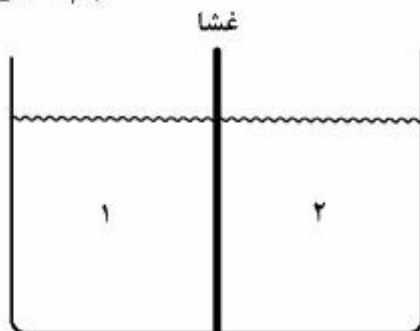
- ۲/۸ (۱)
- ۶/۸ (۲)
- ۵/۸ (۳)
- ۴/۸ (۴)

۱۳۶- شکل زیر قسمت‌های مختلف یک دستگاه ثبت ECG را نمایش می‌دهد. کدام گزینه در مورد آن صحیح‌تر است؟



- (۱) مدار تغییر سطح ولتاژ: A، درایور پای راست: B، تقویت‌کننده: C، ایزولاتور: D
- (۲) ایزولاتور: A، مدار انتخاب لید: B، تقویت‌کننده: C، مدار تغییر سطح ولتاژ: D
- (۳) مدار انتخاب لید: A، درایور پای راست: B، ایزولاتور: C، تقویت‌کننده: D
- (۴) مدار تغییر سطح ولتاژ: A، مدار انتخاب لید: B، مدار محافظ: C، تقویت‌کننده: D

۱۳۷- توسط یک غشا که نسبت به یون Na^+ نفوذناپذیر است، ظرفی را مطابق شکل زیر به دو بخش ۱ و ۲ تقسیم کرده و در هر بخش یک لیتر محلول HCl با $pH = 3$ می‌ریزیم. سپس به بخش ۲، ۲۰۰ میلی‌مول NaCl اضافه می‌کنیم. با فرض این که مقدار NaCl حجم محلول را تغییر ندهد، pH بخش ۱ بعد از تعادل چقدر خواهد بود؟ ($\log 2 \approx 0.3$)



- ۲/۷ (۱)
- ۲/۹ (۲)
- ۳/۱ (۳)
- ۳/۳ (۴)

مستر تست: وبسایت تخصصی آزمون کارشناسی ارشد

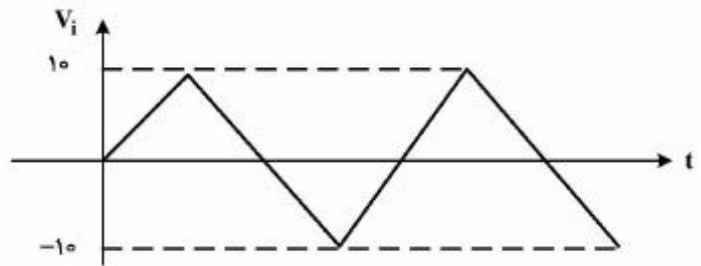
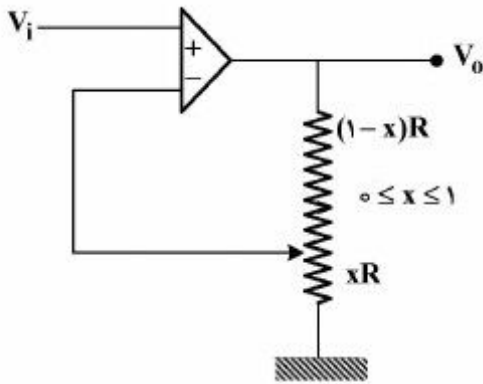
۱۳۸- در مدار زیر از یک پتانسیومتر برای اندازه‌گیری جابه‌جایی استفاده شده است. V_i یک موج مثلثی با دامنه 10 ولت و تغذیه $opamp$ نیز ± 10 ولت است. کدام گزینه در مورد رفتار خروجی V_o در مقابل جابه‌جایی سر وسط پتانسیومتر درست است؟

(۱) V_o یک موج مربعی با Dutycycle ثابت است که فاز آن با x تغییر می‌کند.

(۲) V_o یک موج مربعی خواهد بود که Dutycycle آن با x تغییر می‌کند.

(۳) V_o یک موج مثلثی با دامنه $\pm 10x$ خواهد بود.

(۴) V_o یک موج مثلثی با دامنه $\pm \frac{10}{x}$ خواهد بود.



مستر تست: وبسایت تخصصی آزمون کارشناسی ارشد

صفحه ۴۴

111C

آزمون مجموعه مهندسی برق (کد ۱۲۵۱)
