

# مستر تست: وبسایت تخصصی آزمون کارشناسی ارشد

کد کنترل

254

A



254A

نام:

نام خانوادگی:

محل امضا:

عصر پنجشنبه

۹۶/۲/۷



«اگر دانشگاه اصلاح شود مملکت اصلاح می‌شود.»

امام خمینی (ره)

جمهوری اسلامی ایران  
وزارت علوم، تحقیقات و فناوری  
سازمان سنجش آموزش کشور

آزمون ورودی دوره‌های کارشناسی ارشد ناپیوسته داخل - سال ۱۳۹۶

مهندسی ابزار دقیق و اتوماسیون در صنایع نفت - کد ۱۲۹۰

مدت پاسخگویی: ۲۰۰ دقیقه

تعداد سؤال: ۱۳۰

عنوان مواد امتحانی، تعداد و شماره سؤالات

ردیف	مواد امتحانی	تعداد سؤال	از شماره	تا شماره
۱	زبان عمومی و تخصصی (انگلیسی)	۳۰	۱	۳۰
۲	ریاضیات مهندسی	۱۵	۳۱	۴۵
۳	کنترل خطی و غیرخطی	۱۵	۴۶	۶۰
۴	انتخاب ۲ ترمودینامیک	۲۰	۶۱	۸۰
۵	مکانیک سیالات و انتقال حرارت	۲۰	۸۱	۱۰۰
۶	مدارهای الکتریکی (۲و۱)	۱۵	۱۰۱	۱۱۵
۷	الکترونیک (۲و۱)	۱۵	۱۱۶	۱۳۰

این آزمون نمره منفی دارد.

استفاده از ماشین حساب مجاز نیست.

حق چاپ، تکثیر و انتشار سؤالات به هر روش الکترونیکی و ... پس از برگزاری آزمون، برای تمامی اشخاص حقیقی و حقوقی تنها با مجوز این سازمان مجاز می‌باشد و با متخلفین برابر مقررات رفتار می‌شود.

# مستر تست: وبسایت تخصصی آزمون کارشناسی ارشد

## PART A: Vocabulary

**Directions:** Choose the word or phrase (1), (2), (3), or (4) that best completes the blank. Then mark the correct choice on your answer sheet.

- 1- By signing these papers, I agree to not ----- any of my company's financial records to anyone outside of my firm.  
1) authorize                      2) articulate                      3) divulge                      4) victimize
- 2- Without an antidote to treat the patient, the poisonous snakebite would prove -----.  
1) vulnerable                      2) fatal                      3) massive                      4) extreme
- 3- Stifling a yawn, Jackie covered her mouth as she listened to one of her mother's ----- stories about her childhood.  
1) interminable                      2) credible                      3) widespread                      4) literal
- 4- After learning the lawyer accepted a bribe, the committee decided to ----- him and suspend his license.  
1) encounter                      2) retaliate                      3) underestimate                      4) rebuke
- 5- The government will ----- any property that has been purchased with money earned through illegal means.  
1) resist                      2) seize                      3) eliminate                      4) avoid
- 6- Now that I have got another offer of employment, which sounds as good as the earlier one, I am in a ----- as to which one to choose.  
1) necessity                      2) comparison                      3) postponement                      4) dilemma
- 7- Since there is a huge ----- between the results of the first and second experiment, the laboratory team will conduct a third test.  
1) discrepancy                      2) autonomy                      3) randomness                      4) opposition
- 8- To get a good grade on the research project, you must ----- your report with provable facts.  
1) inform                      2) outline                      3) substantiate                      4) interfere
- 9- We thought that the power cuts were temporary and would end but we have now realized that this is a ----- problem and will never end.  
1) chaotic                      2) perennial                      3) fragile                      4) memorable
- 10- If a ----- answer can provide the information requested, there is no reason to bore a person with a long response.  
1) boundless                      2) conceptual                      3) concise                      4) logical

## PART B: Cloze Passage

**Directions:** Read the following passage and decide which choice (1), (2), (3), or (4) best fits each space. Then mark the correct choice on your answer sheet.

It is very easy to lead someone's memory astray. For example, if I witness a traffic accident and (11) ----- whether the car stopped before or after the tree, I am much more likely to "insert" a tree into my memory of the scene, (12) ----- no tree was actually present. This occurrence reflects the fact that when we retrieve a memory, we also re-encode it and during that process it is (13) ----- errors.

Elizabeth Loftus at the University of California, Irvine, and colleagues have shown that this “misinformation effect” can have huge implications for the court room, with experiments (14) ----- that eyewitness testimonies can be adversely influenced by misleading questioning. Fortunately, these findings also suggest ways for police, lawyers and judges to frame the questions (15) ----- they ask in a way that makes reliable answers more likely.

- 11- 1) I am later asked      2) later asking      3) to be asked later      4) later asked  
12- 1) even then      2) so even      3) as if even      4) even if  
13- 1) a possibility implanting      2) possible to implant  
3) possibly to implant      4) possibility of implanting  
14- 1) are repeatedly demonstrated      2) repeatedly demonstrating  
3) that are demonstrated repeatedly      4) to demonstrate repeatedly  
15- 1) that      2) when      3) because      4) even though

## **PART C: Reading Comprehension:**

**Directions:** Read the following four passages and answer the questions by choosing the best choice (1), (2), (3), or (4). Then mark the correct choice on your answer sheet.

### PASSAGE 1:

#### Higher Levels of Automation

A major trend in the use of feedback is its application to higher levels of situational awareness and decision making. This includes not only traditional logical branching based on system conditions, but optimization, adaptation, learning and even higher levels of abstract reasoning. These problems are in the domain of the artificial intelligence (AI) community, with an increasing role of dynamics, robustness and interconnection in many applications. An example of this trend is the DARPA Grand Challenge, a series of competitions sponsored by the government to build vehicles that can autonomously drive themselves in desert and urban environments. Caltech competed in the 2005 and 2007 Grand Challenges using a modified Ford E-350 off-road van, nicknamed “Alice.” It was fully automated, including electronically-controlled steering, throttle, brakes, transmission and ignition. Its sensing systems included multiple video cameras scanning at 10–30 Hz, and several laser ranging units scanning at 10 Hz, and 1.4.

The feedback system fuses data from terrain sensors (cameras and laser range finders) to determine a digital elevation map. This map is used to compute the vehicle’s potential speed over the terrain and an optimization-based path planner then commands a trajectory for the vehicle to follow. A supervisory control module performs higher level tasks such as handling sensor and actuator failures. An inertial navigation package capable of providing position and orientation estimates at 2.5 ms temporal resolution. Computational resources included seven high speed servers connected together through a 1 Gb/s Ethernet switch. A picture of the vehicle is shown, along with a block diagram of its control architecture. The software and hardware infrastructure that was developed enabled the vehicle to traverse long

distances at substantial speeds. In testing, Alice drove itself over 500 kilometers in the desert, with the ability to follow dirt roads and trails (if present) and avoid obstacles along the path. Speeds of over 50 km/hr were obtained in fully autonomous mode. Substantial tuning of the algorithms was done during desert testing, in part due to the lack of systems level design tools for systems of this level of complexity. Other competitors in the race (including Stanford, which won the competition) used algorithms for adaptive control and learning, increasing the capabilities of their systems in unknown environments. Together, the competitors in the Grand Challenge demonstrated some of the capabilities for the next generation of control systems and highlighted many research directions in control at higher levels of decision making.

- 16- It is implied from paragraph one that “artificial intelligence” is highly dependent on -----.
- |                     |                           |
|---------------------|---------------------------|
| 1) robustness       | 2) reasoning              |
| 3) interconnections | 4) processing of feedback |
- 17- In this passage, an example of traditional lower levels of decision making is -----.
- |                 |              |
|-----------------|--------------|
| 1) optimization | 2) branching |
| 3) adaptation   | 4) reasoning |
- 18- We understand from the second paragraph that the final path to be made is demonstrated on a -----.
- |                 |               |
|-----------------|---------------|
| 1) range finder | 2) trajectory |
| 3) sensor       | 4) vehicle    |
- 19- In this passage, “Alice” is -----.
- |                          |                                  |
|--------------------------|----------------------------------|
| 1) a kind of vehicle     | 2) path planner                  |
| 3) the driver of the car | 4) an example of feedback system |
- 20- In higher levels of decision making, complicated tasks are performed by -----.
- |                    |                  |
|--------------------|------------------|
| 1) sensors         | 2) range finders |
| 3) feedback system | 4) cameras       |

## PASSAGE 2:

### Instrumentation

Measurement of physical variables is of prime interest in science and engineering. Consider for example an accelerometer, where early instruments consisted of a mass suspended on a spring with a deflection sensor. The precision of such an instrument depends critically on accurate calibration of the spring and the sensor. There is also a design compromise because a weak spring gives high sensitivity but also low bandwidth.

A different way of measuring acceleration is to use force feedback. The spring is then replaced by a voice coil that is controlled so that the mass remains at a constant position. The acceleration is proportional to the current through the voice coil. In such an instrument, the precision depends entirely on the calibration of the voice coil and does not depend on the sensor, which is only used as the feedback signal. The sensitivity of bandwidth compromise is also avoided. This way of using feedback has been applied to many different engineering fields and has resulted in instruments with dramatically improved performance. Force feedback is also used in haptic devices for manual control.

Feedback is widely used to measure ion currents in cells using a device called the voltage clamp. Hodgkin and Huxley used the voltage clamp to investigate propagation of action potentials in the axon of the giant squid. In 1963 they shared the Nobel Prize in Medicine with Eccles for “their discoveries concerning the ionic mechanisms involved in excitation and inhibition in the peripheral and central portions of the nerve cell membrane”. A refinement of the voltage clamp called the patch clamp later made it possible to measure exactly when a single ion channel is opened or closed. This was developed by Neher and Sakmann, who received the 1991 Nobel Prize in Medicine.

- 21- We understand from the text that if there were no “compromise”, -----.
- 1) the calibration would not be accurate
  - 2) we would have to calibrate the spring
  - 3) we would have to replace the spring
  - 4) the accelerator would break down
- 22- The main difference between the two types of accelerometer mentioned in the passage is that the first one is physical while the second one is -----.
- 1) analogue
  - 2) automatic
  - 3) electronic
  - 4) electrical
- 23- The sensor in the second type of accelerometer is a ----- component.
- 1) fundamental
  - 2) peripheral
  - 3) major
  - 4) basic
- 24- In the second type of accelerometer, the feedback is measured through -----.
- 1) mass
  - 2) voice coil
  - 3) bandwidth
  - 4) spring
- 25- The underlined “This” in the last paragraph refers to -----.
- 1) patch clamp
  - 2) voltage clamp
  - 3) giant squid
  - 4) action potential

### PASSAGE 3:

#### Modelling Uncertainty

Reducing uncertainty is one of the main reasons for using feedback and it is therefore important to characterize uncertainty. When making measurements there is a good tradition to assign both a nominal value and a measure of uncertainty. It is useful to apply same principle to modeling, but unfortunately it is often difficult to express the uncertainty of a model quantitatively. For a static system whose input-output relation can be characterized by a function, uncertainty can be expressed by an uncertainty band.

At low signal levels there are uncertainties due to sensor resolution, friction and quantization. Some models for queuing systems or cells are based on averages that exhibit significant variations for small populations. At large signal levels there are saturations or even system failures. The signal ranges where a model is reasonably accurate varies dramatically between applications but it is rare to find models that are accurate for signal ranges larger than  $10^4$ . 2.4.

Characterization of uncertainty of dynamic models is much more difficult. There may be errors due to phenomena that have been neglected, for example small time delays. In control the ultimate test is how well a control system based on the model

performs and time delays can be important. There is also a frequency aspect. There are slow phenomena, such as aging, that can cause changes or drift in the systems. There are also high frequency effects: a resistor will no longer be a pure resistance at very high frequencies and a beam has stiffness and will exhibit additional dynamics when subject to high frequency excitation. The uncertainty lemon is one way to conceptualize the uncertainty of a system. It introduces some formal tools for representing uncertainty in next chapters. These tools make use of the concept of a transfer function, which describes the frequency response of an input/output system.

- 26- It is understood from paragraph one that uncertainty -----.
- 1) has nothing to do with modeling                      2) can be calculated qualitatively  
3) is effective in certain areas                         4) reduces precision
- 27- We imply from the passage that in modeling uncertainty -----.
- 1) has to be carefully calculated                      2) has no effect on calculations  
3) can be due to friction                                 4) reduces resolution
- 28- Paragraph two mainly discusses -----.
- 1) different forms of model                             2) reasons of system failures  
3) sources of uncertainty                                 4) accuracy in signal ranges
- 29- We understand from the last paragraph that the difficulty of the characterization of uncertainty of dynamic models is due to variables that -----.
- 1) have affected model performance  
2) have not been taken into consideration  
3) have caused time delays  
4) affect test results
- 30- We infer from he last paragraph that the word "lemon" here means -----.
- 1) a neutral organ                                         2) a frequent part  
3) a defective component                                 4) a necessary element

ریاضیات مهندسی:

۳۱- اگر  $u(x, t) = \frac{a_0}{\gamma} + \sum a_n e^{-\gamma n^2 t} \cos nx$  جواب معادله گرما با شرایط  $u(x, 0) = x^2$ ,  $u_x(0, t) = u_x(\pi, t) = 0$  باشد، کدام است؟

باشد،  $u(\pi, \frac{1}{\gamma})$ ، کدام است؟

$$\frac{\pi^2}{3} - \sum_{n=1}^{\infty} \frac{4}{n^2} \exp(-n^2) \quad (1)$$

$$\frac{2\pi^2}{3} - \sum_{n=1}^{\infty} \frac{4}{n^2} \exp(-n^2) \quad (2)$$

$$\frac{\pi^2}{3} + \sum_{n=1}^{\infty} \frac{4}{n^2} \exp(-n^2) \quad (3)$$

$$\frac{2\pi^2}{3} + \sum_{n=1}^{\infty} \frac{4}{n^2} \exp(-n^2) \quad (4)$$

# مستر تست: وبسایت تخصصی آزمون کارشناسی ارشد

۳۲- تابع  $f$  در بازه  $-L < x < L$  تعریف شده و دارای سری فوریه با ضرایب  $a_n = \frac{1}{3^n}, b_n = \frac{1}{3^n}$  ( $n = 0, 1, 2, \dots$ )

می‌باشد. حاصل  $\int_{-L}^L f^2(x) dx$  کدام است؟

(۱)  $\frac{27}{71}L$

(۲)  $\frac{23}{24}L$

(۳)  $L$

(۴)  $\frac{25}{24}L$

۳۳- اگر  $\int_0^{\infty} f(w) \sin wx \, dw = \begin{cases} \sin 2x & |x| < \pi \\ 0 & |x| > \pi \end{cases}$  باشد، حاصل  $\frac{d^2}{dw^2} \{ (w^2 - 4)f(w) \cos 2w \}$  کدام است؟

(۱)  $\frac{16}{\pi} \cos 4w$

(۲)  $\frac{32}{\pi} \sin 4w$

(۳)  $-\frac{32}{\pi} \sin 4w$

(۴)  $-\frac{16}{\pi} \cos 4w$

۳۴- تبدیل فوریه تابع  $f(x) = \sqrt{x} e^{-x^2}$  در کدام معادله دیفرانسیل صدق می‌کند؟

( $f(x)$  تبدیل فوریه تابع  $\hat{f}(w) = \frac{1}{\sqrt{2}} e^{-\frac{w^2}{4}}$ )

(۱)  $\frac{df}{dw} - \frac{w}{2} \hat{f}(w) = 0$

(۲)  $\frac{df}{dw} + \frac{w}{2} \hat{f}(w) = 0$

(۳)  $\frac{d^2 \hat{f}}{dw^2} + \left( \frac{1}{2} - \frac{w^2}{4} \right) \hat{f}(w) = 0$

(۴) موارد ۲ و ۳

۳۵- کدام یک از معادلات با مشتق جزئی  $(u(x, y) = F(x)G(y))$ ، با روش ضریبی تفکیک پذیر است؟

(۱)  $e^{x+2y} u_{xx} + x e^{2y} u_x + y^2 u_{yy} = 0$

(۲)  $e^x u_{xy} + e^y u_y + x e^x = 0$

(۳)  $u_{xx} + 4u_{xy} - u_{yy} = 0$

(۴)  $u_{xy} + u_x + x + y = 0$

# مستر تست: وبسایت تخصصی آزمون کارشناسی ارشد

۳۶- می‌دانیم جواب عمومی یک معادله دیفرانسیل با مشتقات جزئی به صورت  $u(x, y) = f(2x + \Delta y) + g(2x - \Delta y)$  است.  $f$  و  $g$  دو تابع دلخواه مشتق‌پذیرند) با فرض  $u(x, 0) = \sin 2x$  و  $u(0, y) = u(\pi, y) = 0$

جواب کدام است؟  $\frac{\partial u}{\partial y}(x, 0) = 0$

$$u(x, y) = 2 \cos 2x \sin \Delta y \quad (1)$$

$$u(x, y) = 2 \sin 2x \cos \Delta y \quad (2)$$

$$u(x, y) = \cos 2x \sin \Delta y \quad (3)$$

$$u(x, y) = \sin 2x \cos \Delta y \quad (4)$$

۳۷- اگر مسئله 
$$\begin{cases} u_{tt} - u_{xx} = 2x + t \\ u(0, t) = 0, u(1, t) = 0 \\ u(x, 0) = \sin x, u_t(x, 0) = \cos x \end{cases}$$
 را با روش  $u = \sum F_n(x)G_n(t)$  حل کنیم،  $G_n(t)$  در کدام معادله دیفرانسیلی صدق می‌کند؟

$$\ddot{G}_n + n^2 \pi^2 G_n = \frac{2}{n\pi} (2(-1)^{n+1} + t(1 + (-1)^{n+1})) \quad (1)$$

$$\ddot{G}_n + n^2 \pi^2 G_n = \frac{2}{n\pi} (2(-1)^{n+1} + t(1 + (-1)^n)) \quad (2)$$

$$\ddot{G}_n + n^2 \pi^2 G_n = \frac{2}{n\pi} (2(-1)^n + t(1 + (-1)^{n+1})) \quad (3)$$

$$\ddot{G}_n + n^2 \pi^2 G_n = \frac{2}{n\pi} (2(-1)^n + t(1 + (-1)^n)) \quad (4)$$

۳۸- جواب مسئله با شرایط مرزی داده شده، کدام است؟

$$u_{xx} + u_{yy} = 0 \quad 0 \leq x \leq \pi, 0 \leq y \leq \ln 2$$

$$u(0, y) = u(\pi, y) = 0$$

$$u_y(x, 0) = 0$$

$$u_y(x, \ln 2) = 2 \sin 2x$$

$$u(x, y) = \frac{\lambda}{15} \sin 2x \sinh 2y \quad (1)$$

$$u(x, y) = \frac{15}{\lambda} \sin 2x \cosh 2y \quad (2)$$

$$u(x, y) = \frac{\lambda}{15} \sin 2x \cosh 2y \quad (3)$$

$$u(x, y) = \frac{15}{\lambda} \sin 2x \sinh 2y \quad (4)$$



# مستر تست: وبسایت تخصصی آزمون کارشناسی ارشد

۳۹- در رابطه با سری زیر، چه می‌توان گفت؟

$$\left[ \sum_{n=0}^{\infty} \frac{(\ln 2 + \frac{\pi}{4} i)^n}{n!} \right]^2$$

- (۱) یک سری واگراست.  
 (۲) یک سری همگراست و مقدار آن  $4i$  است.  
 (۳) یک سری همگراست و مقدار آن  $-16$  است.  
 (۴) یک سری همگراست اما در رابطه با مقدار آن چیزی نمی‌توان گفت.

۴۰- اگر قسمت حقیقی (Real Part) مشتق تابع تحلیلی  $f(z)$  برابر با  $3x^2 - 3y^2 + 2e^{2x} \cos 2y$  باشد، آنگاه  $f(z)$  کدام است؟

- (۱)  $f(z) = 3z^2 + e^{2z} + (c_1 + ic_2)$   
 (۲)  $f(z) = z^2 + e^{2z} + (c_1 + ic_2)$   
 (۳)  $f(z) = z^2 - e^{2z} + (c_1 + ic_2)$   
 (۴)  $f(z) = 3z^2 - e^{2z} + (c_1 + ic_2)$

۴۱- تابع:  $f(z) = \text{Ln}(iz^2 + 2 + i)$ ، در کدام ناحیه غیر تحلیلی است؟

- (۱)  $D = \{(x, y) \mid x^2 - y^2 = 1, xy < 1\}$   
 (۲)  $D = \{(x, y) \mid x^2 - y^2 = 1, xy > 1\}$   
 (۳)  $D = \{(x, y) \mid y^2 - x^2 = 1, xy > 1\}$   
 (۴)  $D = \{(x, y) \mid y^2 - x^2 = 1, xy < 1\}$

۴۲- مقدار انتگرال  $\oint_c \text{Im}\left(\frac{1}{z}\right) dz$  وقتی  $c$  دایره‌ای به شعاع ۲ و در جهت دوران عقربه‌های ساعت باشد، کدام است؟

- (۱)  $-i\pi$   
 (۲)  $-\pi$   
 (۳)  $\pi$   
 (۴)  $i\pi$

## مستر تست: وبسایت تخصصی آزمون کارشناسی ارشد

صفحه ۱۰

254A آزمون مهندسی ابزار دقیق و اتوماسیون در صنایع نفت (کد ۱۳۹۰)

۴۳- ضریب  $z^2$  در بسط مک لورن  $f(z) = \exp(\sin z)$ ، کدام است؟

(۱)  $-\frac{2}{3!}$

(۲)  $\frac{2}{3!}$

(۳)  $\frac{1}{3!}$

(۴) ۰

۴۴- مقدار انتگرال  $\int_{|z|=2} \frac{|z|z}{z^2+1} dz$  کدام است؟

(۱)  $-4\pi i$

(۲)  $-2\pi i$

(۳)  $2\pi i$

(۴)  $4\pi i$

۴۵- حاصل انتگرال  $\int_0^{\infty} \frac{x^2}{1-x^4} dx$ ، کدام است؟

(۱)  $-\frac{\pi}{4}$

(۲)  $-\frac{\pi}{2}$

(۳)  $\frac{\pi}{4}$

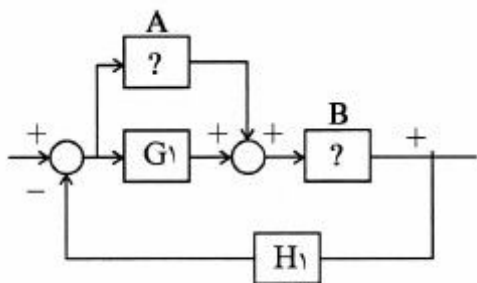
(۴)  $\frac{\pi}{2}$

# مستر تست: وبسایت تخصصی آزمون کارشناسی ارشد

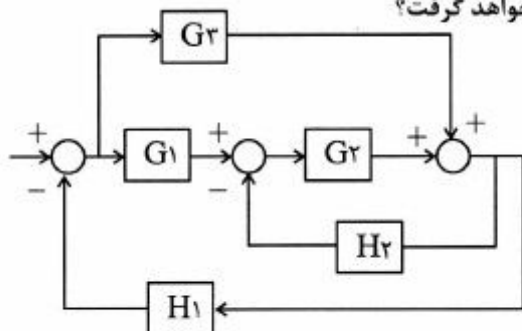
## کنترل خطی و غیرخطی:

۴۶- دیاگرام بلوکی شکل الف را در نظر بگیرید. اگر آن را مانند شکل ب تغییر دهیم. کدام گزینه جای علامت‌های سؤال

قرار خواهد گرفت؟



ب



الف

(A)  $G_2$  (B)  $\frac{G_2}{1+G_2H_2}$  (۱)

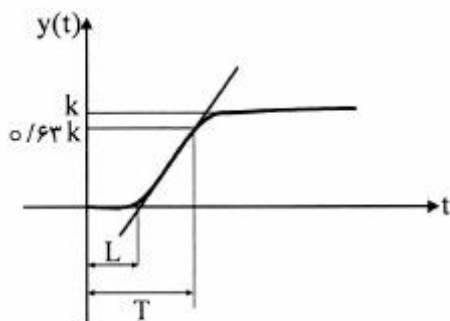
(A)  $\frac{G_2}{G_2}$  (B)  $\frac{G_2}{1+G_2H_2}$  (۲)

(A)  $G_2 + G_2$  (B)  $\frac{G_2G_2}{1+G_2H_2G_2}$  (۳)

(A)  $G_2 - \frac{G_1}{G_2}$  (B)  $\frac{G_2}{1+G_2H_2}$  (۴)

۴۷- در صورتی که پاسخ پله یک سیستم به صورت زیر باشد، کدام یک از توابع انتقال می‌تواند به صورت تقریبی

سیستم را توصیف نماید؟



(۱)  $G(s) \approx \frac{ke^{sL}}{1+Ts}$

(۲)  $G(s) \approx \frac{k}{1+Ts}$  اگر  $\frac{L}{L+T} \ll 1$  باشد.

(۳)  $G(s) \approx \frac{k(1-\frac{L}{\tau}s)}{(1+\frac{L}{\tau}s)(1+Ts)}$

(۴) گزینه‌های ۲ و ۳

# مستر تست: وبسایت تخصصی آزمون کارشناسی ارشد

۴۸- سیستم حلقه بسته با تابع تبدیل حلقه باز  $G(s) = \frac{k(s+4)}{s(s+2)(s+a)}$  را در نظر بگیرید. چنانچه زمان نشست

تقریبی این سیم برای  $k$  های بزرگ برابر ۸ ثانیه باشد، پارامتر  $a$  برابر کدام است؟

- (۱) ۱      (۲) ۲      (۳) ۳      (۴) ۴

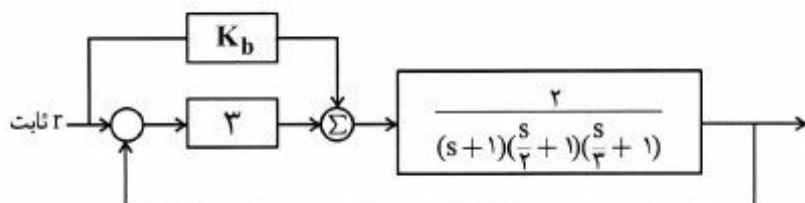
۴۹- در سیستم کنترلی زیر به ازای کدام بهره پیشخور ( $K_b$ )، خطای حالت ماندگار صفر است؟

(۱)  $K_b = -2$

(۲)  $K_b = -0.5$

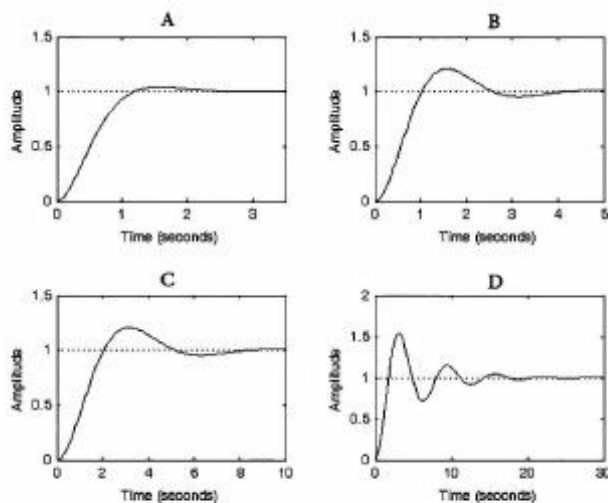
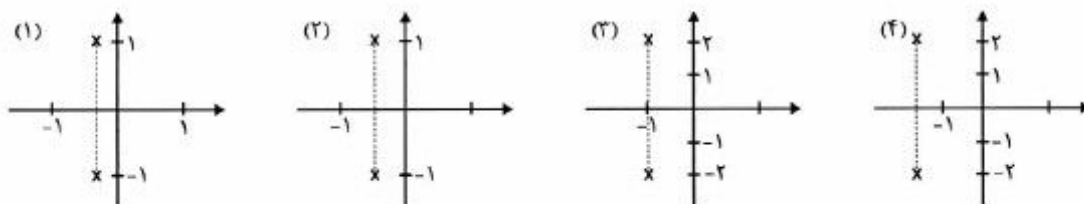
(۳)  $K_b = 0.5$

(۴)  $K_b = 2$



۵۰- نمایش‌های مختلف صفر و قطب و پاسخ‌های پله یک سیستم با تابع انتقال  $G(s) = \frac{\omega_n^2}{s^2 + 2\zeta\omega_n s + \omega_n^2}$  در

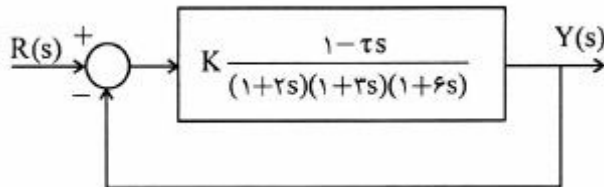
شکل‌های ۱ تا ۴ و A تا D نشان داده شده است. گزینه صحیح، کدام است؟



- ۱) شکل (۱) با (B)، شکل (۲) با (A)، شکل (۳) با (D)، و شکل (۴) با (C) متناظر است.  
 ۲) شکل (۱) با (C)، شکل (۲) با (D)، شکل (۳) با (A)، و شکل (۴) با (B) متناظر است.  
 ۳) شکل (۱) با (D)، شکل (۲) با (C)، شکل (۳) با (B)، و شکل (۴) با (A) متناظر است.  
 ۴) شکل (۱) با (A)، شکل (۲) با (B)، شکل (۳) با (C)، و شکل (۴) با (D) متناظر است.

# مستر تست: وبسایت تخصصی آزمون کارشناسی ارشد

- ۵۱- در سیستم زیر  $\tau > 0$  و حداقل خطای ماندگار قابل حصول سیستم به ورودی پله واحد برابر  $\frac{1}{9}$  است. حد بهره سیستم برای  $K = 2$ ، چند دسی بل است؟ ( $\log_{10} 2 \approx 0.3$ )



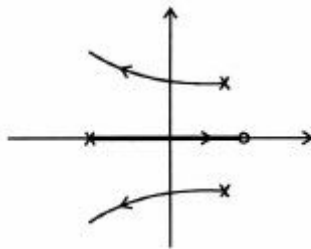
- (۱) ۰/۶  
(۲) ۱/۲  
(۳) ۶  
(۴) ۱۲

۵۲- کدام گزینه درست است؟

- (۱) اگر اغتشاش مستقیماً به خروجی وارد شود، دینامیک سیستم روی آن اثر می‌گذارد و به سختی قابل حذف است.  
(۲) پایداری سیستم حلقه بسته، به شیب منحنی اندازه پاسخ فرکانسی در فرکانس‌های میانی وابسته است.  
(۳) دامنه نوسانات پاسخ، قبل از رسیدن به حالت دائمی در تحلیل پایداری نسبی مطرح نمی‌شود.  
(۴) در صورتی که پاسخ ضربه تغییر علامت ندهد، سیستم میرایی ضعیف دارد.

- ۵۳- با توجه به مکان هندسی شکل زیر که برای سیستم با تابع حلقه  $k > 0$ ،  $G(s) = \frac{k(s-a)}{(s^2 - 2s + 5)(s+2)}$  و به

ازای  $a = 2$  ترسیم شده است:



- (۱) مکان ریشه‌ها بدون توجه به مقدار صفر سیستم همواره حداقل یک شاخه در سمت راست محور موهومی داشته و سیستم به ازای کلیه مقادیر بهره  $k > 0$  ناپایدار است.  
(۲) با حرکت صفر سیستم به سمت چپ  $0 < a < 2$  مقادیری از بهره  $k$  وجود دارد که سیستم پایدار است.  
(۳) با حرکت صفر سیستم به سمت راست  $a > 2$  مقادیری از بهره  $k$  وجود دارد که سیستم پایدار است.  
(۴) مقادیری از بهره  $k$  وجود دارد که به ازای  $a = 2$  سیستم پایدار است.

- ۵۴- دو سیستم  $G_1(s) = k \frac{(s+0.1)^2 + 16}{s((s+0.1)^2 + 25)}$ ؛  $G_2(s) = k \frac{(s+0.1)^2 + 25}{s((s+0.1)^2 + 16)}$  را که تحت فیدبک واحد قرار

دارند، در نظر بگیرید. مکان هندسی این دو سیستم در کدام مورد با یکدیگر متفاوت است؟

- (۱) هم زاویه ورود به صفر و هم زاویه خروج از قطب  
(۲) تنها زاویه ورود به صفر  
(۳) تنها زاویه خروج از قطب  
(۴) تعداد نقاط شکست

## مستر تست: وبسایت تخصصی آزمون کارشناسی ارشد

۵۵- پهنای باند یک سیستم به واسطه اعمال کنترلر  $G_c(s)$  افزایش یافته ولی مقدار فاز در فرکانس خیلی کم یا خیلی زیاد تغییر نکرده است. در این صورت:

$$G_c(s) = \frac{T_d s}{N(1 + T_d s)} \quad N \gg 1, T_d > 0 \quad (1)$$

$$G_c(s) = \frac{1 - \frac{T_d}{N} s}{1 + \frac{T_d}{N} s} \quad N \gg 1, T_d > 0 \quad (2)$$

$$G_c(s) = \frac{1 + \frac{T_d}{N} s}{1 + T_d s} \quad N \gg 1, T_d > 0 \quad (3)$$

$$G_c(s) = \frac{1 + T_d s}{1 + \frac{T_d}{N} s} \quad N \gg 1, T_d > 0 \quad (4)$$

۵۶- سیستم زیر را بر روی مسیر  $(x_1, x_2) = (\sin t, \cos t)$  خطی سازی می‌کنیم. در این صورت ماتریس  $A(t)$  و نوع چرخه حدی کدام خواهد بود؟

$$\dot{x}_1 = x_2 + x_1(1 - x_1^2 - x_2^2)$$

$$\dot{x}_2 = -x_1 + x_2(1 - x_1^2 - x_2^2)$$

(۱) چرخه حدی ناپایدار است و  $A(t) = \begin{bmatrix} -\sin^2 t & 1 - \sin t \\ -1 - \sin t & -\cos^2 t \end{bmatrix}$

(۲) چرخه حدی پایدار است و  $A(t) = \begin{bmatrix} -2 \sin^2 t & 1 - \sin 2t \\ -1 - \sin 2t & -2 \cos^2 t \end{bmatrix}$

(۳) چرخه حدی ناپایدار است و  $A(t) = \begin{bmatrix} -2 \sin^2 t & 1 - \sin 2t \\ -1 - \sin 2t & -2 \cos^2 t \end{bmatrix}$

(۴) چرخه حدی پایدار است و  $A(t) = \begin{bmatrix} -\sin^2 t & 1 - \sin t \\ -1 - \sin t & -\cos^2 t \end{bmatrix}$

# مستر تست: وبسایت تخصصی آزمون کارشناسی ارشد

۵۷- برای تعیین پایداری سیستم توصیف شده با معادلات

$$\begin{cases} \dot{x}_1 = x_2 \\ \dot{x}_2 = -x_2 - \sin x_1 \end{cases}$$

تابع لیپانوف

۵۸- در سیستم ون در پل  $V(x_1, x_2) = (1 - \cos x_1) + \frac{x_2^2}{2}$  را انتخاب کنید. در مورد پایداری مبدأ با این تابع لیپانوف، گزینه صحیح کدام است؟

(۱) مبدأ پایدار است.

(۲) مبدأ پایدار مجانبی است.

(۳) مبدأ ناپایدار است.

(۴) در مورد پایداری مبدأ این سیستم نمی توان هیچ مطلبی را با این تابع لیپانوف بیان کرد.

۵۸- در سیستم ون در پل  $\ddot{x} + (\mu x^2 - \mu)\dot{x} + x = 0, -1 \leq \mu \leq 1$ ، نقطه تعادل چه رفتاری به ترتیب (از راست به چپ) به ازای  $\mu > 0, \mu = 0, \mu < 0$  از خود نشان می دهد؟

(۱) کانون پایدار ساعت گرد، دایره پادساعت گرد، کانون ناپایدار پادساعت گرد

(۲) کانون ناپایدار پادساعت گرد، دایره پادساعت گرد، کانون پایدار پادساعت گرد

(۳) کانون ناپایدار ساعت گرد، دایره ساعت گرد، کانون پایدار ساعت گرد

(۴) کانون پایدار ساعت گرد، دایره ساعت گرد، کانون ناپایدار ساعت گرد

۵۹- در مورد رفتار سیستم زیر، گزینه صحیح، کدام است؟

$$\dot{x}_1 = -3x_1 + 6x_2$$

$$\dot{x}_2 = x_1 - 2x_2$$

(۱) همه مسیرها به خط  $x_2 = -x_1$  ختم می شوند.

(۲) همه مسیرها به خط  $x_2 = 2x_1$  ختم می شوند.

(۳) همه مسیرها به مبدأ ختم می شوند.

(۴) همه مسیرها از مبدأ دور می شوند.

۶۰- در مورد رفتار نقطه تعادل صفر سیستم زیر، چه می توان گفت؟

$$\dot{x}_1 = -x_1^2 + 3x_1x_2$$

$$\dot{x}_2 = -3x_1^2 - 5x_2$$

(۴) پایدار است

(۳) زین آسبی است

(۲) ناپایدار است

(۱) رفتار نوسانی دارد

ترمودینامیک:

۶۱- برای گاز هیدروژن در دمای نقصانی  $T_r = 0.7$ ، فشار بخار اشباع چند کیلوپاسکال است؟ فشار بحرانی این گاز

$P_c = 1800 \text{ kPa}$  و ضریب بی مرکزی  $\omega = 0.2$  و  $\rho = 0.63 = 10^{-1/2}$  می باشد.

(۱) ۱۱۳٫۴

(۲) ۱۲۰٫۲

(۳) ۱۳۵

(۴) ۱۴۲

# مستر تست: وبسایت تخصصی آزمون کارشناسی ارشد

۶۲- گازی از معادله حالت  $P = \frac{RT}{V-b} - \frac{a}{TV^2}$  پیروی می‌کند، که در آن  $a$  و  $b$  مقادیر ثابت و مثبت هستند. تحت

حجم ثابت، دمای گاز را تغییر می‌دهیم. در مقدار ضریب تراکم‌پذیری گاز چه تغییری حاصل می‌گردد؟

(۱) با افزایش دما کاهش می‌یابد.

(۲) با افزایش دما افزایش می‌یابد.

(۳) نسبت به افزایش دما  $2/5$  برابر می‌شود.

(۴) نسبت به افزایش دما  $1/5$  برابر می‌شود.

۶۳- درون یک مخزن عایق شده، بخار آب داغ (Super heat) در فشار زیاد وجود دارد. شیر مخزن را باز می‌کنیم تا

فشار درون مخزن به فشار بیرون کاهش یابد و سپس شیر را می‌بندیم. در این مورد گزینه صحیح، کدام است؟

(۱) درون مخزن، بخار ممکن است، به صورت داغ، اشباع و یا مخلوط اشباع باشد.

(۲) حجم مخصوص بخار نهایی یا حجم مخصوص بخار اولیه با هم برابر می‌شود.

(۳) درون مخزن، هیچ‌گاه مایع به وجود نمی‌آید.

(۴) درون مخزن مایع اشباع تشکیل می‌شود.

۶۴- یک کیلوگرم گاز ایدنال با  $R = 0.5 \frac{kJ}{kgK}$  در مخزن صلبی وجود دارد. مخزن را گرم می‌کنیم و  $20 kJ$  حرارت

به مخزن می‌دهیم تا دمای گاز  $50^\circ C$  افزایش یابد. تغییر آنتالپی گاز چند  $kJ$  می‌شود؟

۹۰ (۱)

۶۰ (۲)

۵۰ (۳)

۴۵ (۴)

۶۵- فشارهای بخار جامد (s) و مایع (l) یک ماده شیمیایی خالص از رابطه‌های  $\ln P^s = a_1 - \frac{b_1}{T}$  و  $\ln P^l = a_2 - \frac{b_2}{T}$

به دست می‌آید. در این معادلات  $T$  دمای کلوین و پارامترهای  $a_1$ ،  $a_2$ ،  $b_1$  و  $b_2$  ثابت می‌باشند. دمای نقطه

سه‌گانه ( $T_{tp}$ ) کدام یک از معادلات زیر می‌باشد؟

$$T_{tp} = \frac{b_1 + a_1}{b_2 + a_2} \quad (1)$$

$$T_{tp} = \frac{b_1 b_2}{a_2 a_1} \quad (2)$$

$$T_{tp} = \frac{b_1 + b_2}{a_1 + a_2} \quad (3)$$

$$T_{tp} = \frac{b_2 - b_1}{a_2 - a_1} \quad (4)$$



## مستر تست: وبسایت تخصصی آزمون کارشناسی ارشد

۶۶- فشار بخار یک مایع خالص به صورت تابعی از دما به صورت  $\ln P = \frac{6000}{T} + 8$  داده شده است، که در آن  $T$  برحسب کلوین می‌باشد. اگر در حالت اشباع بتوان از حجم ویژه مایع در برابر حجم ویژه بخار صرف‌نظر کرد و همچنین بخار رفتاری نزدیک به گاز کامل (ایدئال) داشته باشد، رابطه آنتالپی تبخیر این ماده کدام است؟  $R$  ثابت گازها می‌باشد.

$$\Delta h^{\text{vap}} = \frac{-6000R}{P} \exp\left(\frac{6000}{T} + 8\right) \quad (1)$$

$$\Delta h^{\text{vap}} = \frac{6000RT}{P} \exp\left(-\frac{6000}{T} + 8\right) \quad (2)$$

$$\Delta h^{\text{vap}} = \frac{6000RT^2}{P} \exp\left(-\frac{6000}{T} + 8\right) \quad (3)$$

$$\Delta h^{\text{vap}} = \frac{6000}{P} \exp\left(-\frac{6000}{T} + 8\right) \quad (4)$$

۶۷- دمای بویل برای یک گاز به صورت  $\lim_{P \rightarrow 0} \left(\frac{\partial(PV)}{\partial P}\right)_T = 0$  تعریف می‌شود. دمای بویل  $T_B$  برای گازی که از معادله

$$Z = 1 + (b - \frac{a}{r}) \frac{P}{RT^2}$$

$$T_B = \left(\frac{a}{Rb}\right)^{\frac{r}{2}} \quad (1)$$

$$T_B = \left(\frac{a}{Rb}\right)^{\frac{r}{2}} \quad (2)$$

$$T_B = \left(\frac{Rb}{a}\right)^{\frac{r}{2}} \quad (3)$$

$$T_B = \sqrt{\frac{a}{Rb}} \quad (4)$$

۶۸- درجه آزادی سیستم حاصل از تجزیه بخار متانول خالص به  $H_2$  و  $CO$  در ظرفی که در حالت خلأ می‌باشد، کدام است؟



۰ (۱)

۱ (۲)

۲ (۳)

۳ (۴)

۶۹- فشار مایعی با شدت جریان دو کیلوگرم بر ثانیه و دانسیته  $\frac{1}{2} \frac{gr}{cm^3}$  به طور کامل یکنواخت (پایدار) توسط پمپی از یک بار به ده بار افزایش می‌یابد. در صورتی که راندمان ایزونتروپیک پمپ ۰/۷۵ باشد، توان مصرفی آن چند کیلووات است؟

۱ (۱)

۲ (۲)

۳ (۳)

۴ (۴)

# مستر تست: وبسایت تخصصی آزمون کارشناسی ارشد

۷۰- کدام یک از روابط زیر صحیح است؟

$$C_v = T \left( \frac{\partial s}{\partial T} \right)_T \quad (۱)$$

$$C_v = T \left( \frac{\partial s}{\partial P} \right)_v \quad (۲)$$

$$C_v = T \left( \frac{\partial s}{\partial T} \right)_P \quad (۳)$$

$$C_v = T \left( \frac{\partial s}{\partial T} \right)_v \quad (۴)$$

۷۱- یک یخچال با سیکل کارنو کار می‌کند و گرما را در دمای  $2^\circ\text{C}$  از منبع سرد می‌گیرد و به یک منبع گرم در دمای  $27^\circ\text{C}$  پس می‌دهد. ضریب عملکرد یخچال، کدام است؟

(۱) ۰/۸

(۲) ۶

(۳) ۱۱

(۴) ۱۲/۵

۷۲- دما و حجم یک گاز ایدئال در یک سیستم بسته از  $T_1 = 600\text{K}$  و  $V_1 = 2\text{m}^3$  به  $T_2 = 300\text{K}$  و  $V_2 = 1\text{m}^3$  تغییر می‌کند. اگر  $C_p = \frac{5}{2}R$  باشد، تغییر در آنرویی گاز چند  $R \ln 2$  می‌باشد؟

(۱)  $-\frac{5}{2}$

(۲)  $+\frac{5}{2}$

(۳)  $-\frac{3}{2}$

(۴)  $+\frac{3}{2}$

۷۳- در یک فرایند اختناق (ژول - تامسون) کدام یک از خواص زیر برای یک گاز حقیقی ثابت می‌ماند؟

(۱) انرژی داخلی (۲) آنتالپی (۳) دما (۴) فشار

۷۴- اگر قابلیت انحلال یک گاز در یک مایع بسیار کم باشد، برای محاسبه میزان غلظت آن گاز در حال تعادل با فاز مایع، از کدام قانون استفاده می‌شود؟

(۱) رانولت اصلاح شده (۲) رانولت (۳) لوئیس - راندل (۴) هنری

۷۵- در سیکل رانکین، کاهش فشار دیگ بخار چه اثری بر راندمان سیکل دارد؟

(۱) با کاهش فشار به نصف راندمان حدوداً ۱/۵ برابر می‌شود.

(۲) با کاهش فشار به نصف راندمان حدوداً ۲ برابر می‌شود.

(۳) با کاهش فشار به نصف راندمان تغییری صورت نمی‌گیرد.

(۴) آن را کاهش می‌دهد.

۷۶- کاربرد قانون لوئیس - راندل، در کدام مورد صدق می‌کند؟

(۱) غلظت ماده موردنظر در آمیزه بسیار زیاد باشد. (۲) غلظت ماده موردنظر در آمیزه بسیار کم باشد.

(۳) فشار آمیزه کم باشد. (۴) مولکول‌های مواد هم‌اندازه و از یک خانواده باشند.

# مستر تست: وبسایت تخصصی آزمون کارشناسی ارشد

۷۷- در یک آمیزهٔ دوتایی ایدئال با فازهای مایع و بخار، کسرهای مولی در فاز مایع  $x_1$  و  $x_2$  است. اگر ثابت تعادل  $k_1$  در دست باشد، ثابت تعادل  $k_2$  کدام است؟

$$(1) \frac{1-x_1}{1-k_1x_1}$$

$$(2) \frac{k_1x_1}{x_2}$$

$$(3) \frac{1-k_1x_1}{1-x_1}$$

$$(4) \frac{k_1x_2}{x_1}$$

۷۸- سیکل قدرت اتو (Otto) هوای استاندارد، متشکل از کدام فرایندهاست؟

(۱) دو فرایند ایزوترمیک - دو فرایند ایزونتروپیک

(۲) دو فرایند ایزوترمیک - دو فرایند ایزوباریک

(۳) دو فرایند ایزومتریک - دو فرایند ایزونتروپیک

(۴) دو فرایند ایزوباریک - دو فرایند ایزونتروپیک

۷۹- ضریب دوم ویریا در  $400\text{K}$  برای گاز دی‌اکسیدگوگرد  $B = -0.15\text{ m}^3/\text{kmol}$  است. اگر چگالی گاز

$1/6\text{ kmol}/\text{m}^3$  باشد، فشار آن چند  $\text{kPa}$  خواهد بود؟ ( $R = 8.314\text{ kJ}/\text{kmol}\cdot\text{K}$ )

$$(1) 1514$$

$$(2) 2018$$

$$(3) 4037$$

$$(4) 6055$$

۸۰- مفهوم پتانسیل شیمیایی چیست؟

(۱) آنترپی مولی جزئی

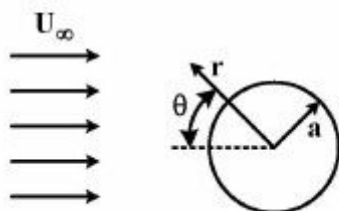
(۲) انرژی آزاد مولی جزئی

(۳) آنتالپی مولی جزئی

(۴) حجم مولی جزئی

## مکانیک سیالات و انتقال حرارت:

۸۱- تابع جریان سیال ایدئال روی یک استوانه به شعاع  $a$ ، کدام است؟



$$(1) \psi = U_\infty r \sin \theta \left[ 1 - \frac{a^2}{r^2} \right]$$

$$(2) \psi = \frac{-\mu y \cos \theta}{x^2 + y^2}$$

$$(3) \psi = U_\infty r \sin \theta$$

$$(4) \psi = \frac{-\mu y}{x^2 + y^2}$$

# مستر تست: وبسایت تخصصی آزمون کارشناسی ارشد

۸۲- سیالی با عدد رینولدز ۱۰۰۰، داخل لوله‌ای در حال حرکت است. ضریب اصطکاک در این حالت  $f$  است. اگر سرعت سیال ۲ برابر شود و سایر شرایط ثابت بماند، ضریب اصطکاک چند برابر حالت قبل خواهد بود؟

(۱)  $\frac{1}{\sqrt{2}}$

(۲)  $\frac{1}{2}$

(۳)  $\sqrt{2}$

(۴) ۲

۸۳- اگر در یک پدیدهٔ پرش هیدرولیکی، عمق‌های جریان مایع به ترتیب  $1/5 m$  و  $9/5 m$  باشد، اتلاف انرژی ناشی از پرش  $(h_L)$ ، چند متر است؟

(۱)  $\frac{1}{3}$

(۲)  $\frac{2}{3}$

(۳)  $\frac{1}{4}$

(۴)  $\frac{3}{4}$

۸۴- یک صفحهٔ نازک فلزی بین دو مایع با گرانروی  $\mu_1$  و  $\mu_2$  در حرکت است. اگر ضخامت دو مایع در بالا و پایین سطح جامد به ترتیب  $h_1$  و  $h_2$  باشد، مقدار نیروی لازم برای حرکت دادن این سطح جامد فلزی با مساحت سطح  $A$ ، کدام است؟ ( $U$  سرعت حرکت صفحه می‌باشد.)

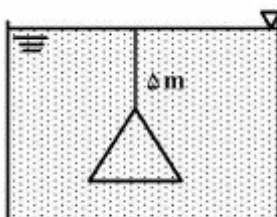
(۱)  $F = \frac{U}{A}(\mu_1 h_1 + \mu_2 h_2)$

(۲)  $F = \frac{U}{A} \left( \frac{\mu_1}{h_1} + \frac{\mu_2}{h_2} \right)$

(۳)  $F = UA(\mu_1 h_1 + \mu_2 h_2)$

(۴)  $F = UA \left( \frac{\mu_1}{h_1} + \frac{\mu_2}{h_2} \right)$

۸۵- یک صفحهٔ مثلثی (متساوی‌الاضلاع) به ضلع  $60 \text{ cm}$  در آب قرار گرفته است. نیروی وارده بر یک طرف صفحه



چند نیوتن است؟ دانسیتهٔ آب  $\rho = 1000 \frac{\text{kg}}{\text{m}^3}$  و  $g = 10 \frac{\text{m}}{\text{s}^2}$  فرض شود.

(۱) ۵۳۴۶۶

(۲) ۵۸۴۶۱

(۳) ۶۲۸۸۰

(۴) ۶۵۴۵۰

# مستر تست: وبسایت تخصصی آزمون کارشناسی ارشد

۸۶- مخزن استوانه‌ای شکل به قطر ۲ متر و ارتفاع ۶ متر تا ۴ متری با آب پر شده است. اگر این مخزن با سرعت دورانی

$10 \frac{\text{rad}}{\text{s}}$  حول مرکز قاعده دوران کند، چه حجمی در واحد  $\text{m}^3$  از آب مخزن بیرون ریخته خواهد شد؟

(۱)  $1/25$

(۲)  $1/57$

(۳)  $1/85$

(۴)  $2/1$

۸۷- ۱۰ لیتر از یک سیال تراکم‌ناپذیر، نیرویی برابر با  $20$  نیوتن در سطح زمین اعمال می‌کند.  $2/3$  لیتر از این سیال

چه نیرویی در واحد نیوتن را در سطح ماه اعمال می‌کند؟ شتاب جاذبه در سطح ماه  $1/67 \frac{\text{m}}{\text{s}^2}$  می‌باشد.

(۱)  $0/39$

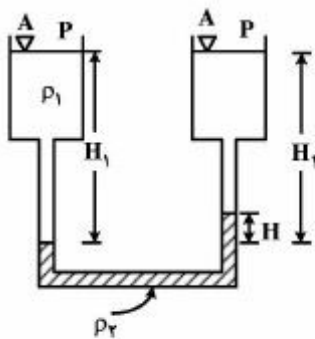
(۲)  $0/78$

(۳)  $3/4$

(۴)  $4/6$

۸۸- مانومتر دو سیاله شکل زیر را در نظر بگیرید. به نظر شما، دو سیال در این مانومتر باید دارای چه شرایطی باشند تا

اختلاف فشارهای بسیار کم بین نقاط A و B قابل اندازه‌گیری باشد؟



(۱)  $\rho_2 \gg \rho_1$

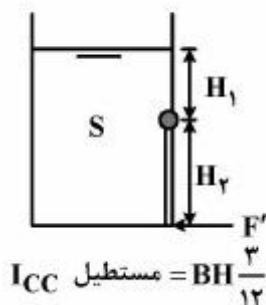
(۲)  $\rho_2 - \rho_1 \gg 1$

(۳)  $\rho_2 - \rho_1 \ll 1$

(۴)  $\rho_1 \gg \rho_2$

۸۹- ظرف درباز زیر حاوی مایعی به چگالی S است: به طوری که ارتفاع سطح آزاد آن بالای لولا  $H_1$  و ارتفاع دریچه مستطیل

$H_2$  می‌باشد. چنانچه عرض دریچه B باشد، نیروی  $F'$  خارجی لازم برای بستن نگه داشتن دریچه، کدام است؟



(۱)  $F' = BS\gamma_\omega \left( \frac{H_1 H_2}{3} + \frac{H_1^2}{2} \right)$

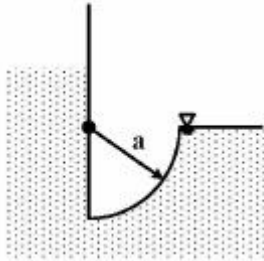
(۲)  $F' = BS\gamma_\omega \left( \frac{H_1 H_2}{2} + \frac{H_1^2}{3} \right)$

(۳)  $F' = BS\gamma_\omega \left( \frac{H_1 H_2}{2} + \frac{H_2^2}{3} \right)$

(۴)  $F' = BS\gamma_\omega \left( \frac{H_1 H_2}{3} + \frac{H_2^2}{2} \right)$

# مستر تست: وبسایت تخصصی آزمون کارشناسی ارشد

۹۰- دریچه‌ای مانند شکل زیر که یک طرف آن ربع استوانه و طرف دیگر آن تخت است، در مرکز استوانه به لولا وصل است. اگر شعاع ربع استوانه  $a$  باشد، سطح آب در طرف تخت دریاچه چقدر بالاتر یا پایین‌تر از سطح آب در طرف ربع استوانه است؟

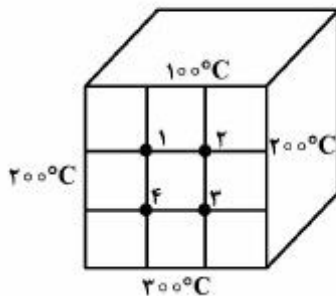


- (۱)  $a$  بالاتر
- (۲)  $2a$  بالاتر
- (۳)  $2a$  پایین‌تر
- (۴) در دو طرف دریچه یکسان

۹۱- سیالی با سرعت  $v$  و درجه حرارت  $80^\circ\text{C}$  وارد لوله‌ای به قطر  $5\text{ cm}$  و طول  $1\text{ m}$  می‌شود. با نگهداشتن دمای سطح لوله به صورت ثابت و برابر  $40^\circ\text{C}$ ، دمای خروج سیال  $60^\circ\text{C}$  می‌گردد. برای این حالت عدد استانتون برابر کدام است؟ ( $\ln(2) = 0.693$ )

- (۱)  $8/1 \times 10^{-3}$
- (۲)  $8/1 \times 10^{-4}$
- (۳)  $8/5 \times 10^{-3}$
- (۴)  $8/7 \times 10^{-4}$

۹۲- با فرض انتقال حرارت دوبعدی، دمای گره ۱ در شکل زیر، چند درجه سانتی‌گراد است؟



- (۱)  $150$
- (۲)  $175$
- (۳)  $180$
- (۴)  $190$

۹۳- ضریب انتقال حرارت جابه‌جایی موضعی بین یک صفحه عمودی و محیط اطراف از رابطه  $Nu = 0.17(Gr^* Pr)^{\frac{1}{4}}$  به دست می‌آید ( $Gr^* = \frac{g\beta q_w x^3}{K\nu^2}$ ). ارتفاع صفحه  $L$  و به صورت قائم قرار گرفته است. ضریب جابه‌جایی میانگین ( $\bar{h}$ ) نسبت به ضریب جابه‌جایی منطقه  $(h_{x=L})$  برابر کدام است؟

- (۱)  $\bar{h} = \frac{4}{3} h_{x=L}$
- (۲)  $\bar{h} = \frac{5}{4} h_{x=L}$
- (۳)  $\bar{h} = \frac{4}{5} h_{x=L}$
- (۴)  $\bar{h} = h_{x=L}$

## مستر تست: وبسایت تخصصی آزمون کارشناسی ارشد

۹۴- قاعده‌های یک مخروط ناقص به ترتیب  $d_1$  و  $d_2$ ، طول آن برابر  $L$  و تغییرات قطر آن نسبت به طول برابر  $D = e^{ax}$  است. در صورتی که دماهای قطر کوچک و بزرگ برابر  $T_1$  و  $T_2$  و سطح جانبی مخروط ایزوله شده باشد، معادلهٔ دیفرانسیلی هدایت برای این مخروط برابر کدام است؟

$$\frac{dT}{dx} + \frac{1}{ra} \frac{d^2T}{dx^2} = 0 \quad (1)$$

$$\frac{1}{ra} \frac{dT}{dx} + e^{rax} \frac{d^2T}{dx^2} = 0 \quad (2)$$

$$e^{rax} \frac{dT}{dx} + \frac{1}{ra} \frac{d^2T}{dx^2} = 0 \quad (3)$$

$$\frac{dT}{dx} + ra \frac{d^2T}{dx^2} = 0 \quad (4)$$

۹۵- یک مکعب مسی و یک گلولهٔ کروی مسی مفروض است. قطر گلولهٔ مسی  $2\text{ cm}$  و ضلع مکعب مسی  $2\text{ cm}$  است. هر دو ابتدا هم‌دما و در یک محیط با شرایط مساوی قرار می‌گیرند. در مورد آن‌ها، گزینهٔ درست، کدام است؟

(۱) هر دو هم‌زمان سرد می‌شوند و درجهٔ حرارتشان یکسان باقی می‌ماند.

(۲) بسته به ضریب انتقال حرارت ممکن است یکی زودتر از دیگری سرد شود.

(۳) گلولهٔ مسی سریع‌تر از مکعب مسی سرد می‌شود.

(۴) مکعب مسی سریع‌تر از گلولهٔ مسی سرد می‌شود.

۹۶- در یک گلولهٔ فلزی کروی شکل به قطر  $10\text{ cm}$  و  $K = 200 \frac{\text{W}}{\text{m}^\circ\text{C}}$  حرارتی به میزان  $1 \frac{\text{kW}}{\text{m}^3}$  به صورت یکنواخت

تولید می‌شود. این گلوله در معرض سیالی با دمای  $20^\circ\text{C}$  و ضریب جابه‌جایی  $h = 15 \frac{\text{W}}{\text{m}^2\text{C}}$  قرار گرفته است.

دمای مرکز این گلوله به طور تقریب چند درجهٔ سانتی‌گراد است؟

(۱) ۲۵

(۲) ۳۰

(۳) ۲۵

(۴) ۲۱

۹۷- سیالی به صورت آرام بر روی صفحهٔ تختی جریان دارد. ویسکوزیتهٔ این سیال  $\mu_1$  است. اگر سیال دیگری با همان سرعت، دما و سایر خواص فیزیکی به استثنای ویسکوزیته ( $\mu_2 = 4\mu_1$ ) بر روی همین صفحه جریان داشته باشد،

(جریان آرام)، ضریب جابه‌جایی سیال دوم نسبت به سیال اول، کدام است؟ ( $\frac{1}{4^2} = 1/16$ )

$$h_2 = 4h_1 \quad (1)$$

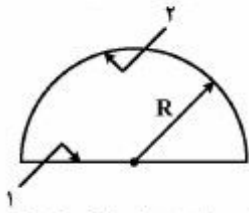
$$h_2 = 2h_1 \quad (2)$$

$$h_2 = 0.5h_1 \quad (3)$$

$$h_2 = 0.25h_1 \quad (4)$$

# مستر تست: وبسایت تخصصی آزمون کارشناسی ارشد

۹۸- ضریب شکل تابشی داخلی نیمکره‌ای به شعاع R که روی صفحه‌ای (سطح ۱) قرار گرفته باشد، برابر کدام است؟



(۱)  $F_{2-1} = 0.25$

(۲)  $F_{2-1} = 0.5$

(۳)  $F_{2-1} = 0.75$

(۴)  $F_{2-1} = 0.8$

۹۹- شار خروجی تابشی از سطح (Radiosity) برابر کدام یک از گزینه‌های زیر است؟ (J = Radiosity, G = Irradiation و  $\epsilon$  = ضریب نشر)

(۲)  $J = (1 - \epsilon)\sigma T^f + \epsilon G$

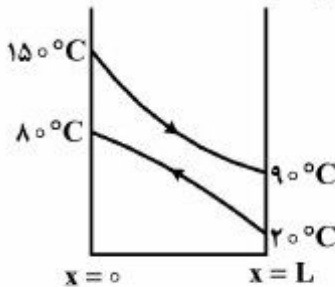
(۱)  $J = (1 - \epsilon)\sigma T^f + (1 - \epsilon)G$

(۴)  $J = (1 - \epsilon)\sigma T^f$

(۳)  $J = \epsilon\sigma T^f + (1 - \epsilon)G$

۱۰۰- در یک مبدل حرارتی که جریان در آن به صورت غیرهمسو می‌باشد، دماهای ورود و خروج سیال‌های گرم و سرد

روی شکل نشان داده شده است. LMTD برای این سیال‌ها، چند درجه سانتی‌گراد است؟



(۱)  $68.5$

(۲)  $72.5$

(۳)  $70$

(۴)  $75$

مدارهای الکتریکی (۲۰):

۱۰۱- برای آنکه در مداری پاسخ مدار تابع خطی از تحریک ورودی باشد، بایستی مدار چگونه باشد؟

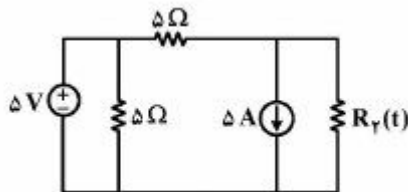
(۱) تغییرناپذیر با زمان با حالت اولیه صفر

(۲) خطی و تغییرپذیر با زمان

(۳) خطی با حالت اولیه صفر

(۴) خطی و تغییرناپذیر با زمان

۱۰۲- در مدار زیر حداکثر توان لحظه‌ای تلف شده در مقاومت  $R_T(t)$  چند وات است؟  $R_T(t) = \sin t + 2\Omega$



(۱)  $11.5$

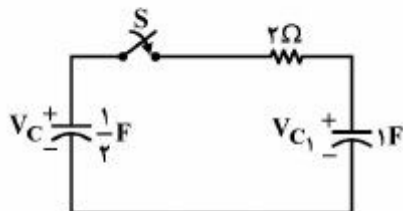
(۲)  $16$

(۳)  $18.75$

(۴)  $20$

۱۰۳- در مدار زیر، کلید S در  $t=0$  بسته می‌شود. انرژی باقی‌مانده در مدار پس از گذشت زمان طولانی، چند ژول

است؟  $(V_C(0^-) = 4V, V_{C1}(0^-) = 0)$



(۱)  $\frac{4}{3}$

(۲)  $1$

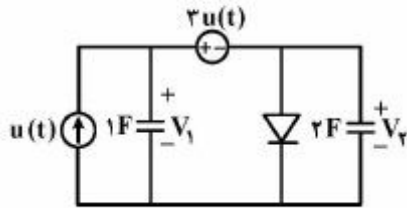
(۳)  $\frac{3}{4}$

(۴)  $0$



# مستر تست: وبسایت تخصصی آزمون کارشناسی ارشد

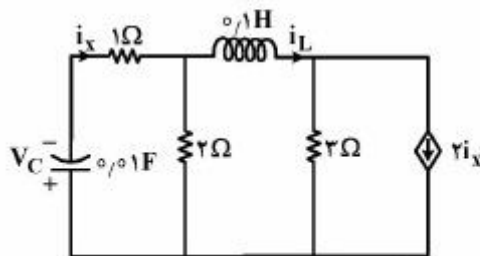
۱۰۴- در مدار زیر، ولتاژ اولیه خازن‌ها در لحظه  $t=0^-$  صفر است. ولتاژ  $V_1$  در لحظه  $t=2s$ ، چند ولت است؟ دیود را ایدئال فرض کنید.  $u(t)$  پله واحد می‌باشد.



- (۱) ۰
- (۲)  $\frac{1}{3}$
- (۳)  $\frac{2}{3}$
- (۴) ۲

۱۰۵- در مدار زیر، معادلات حالت را می‌توان، به صورت زیر نوشت:

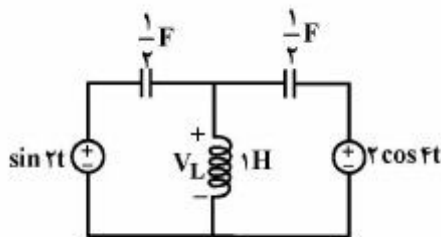
$$\frac{dX}{dt} = AX, X = \begin{bmatrix} i_L \\ V_C \end{bmatrix}$$



ماتریس A برابر کدام است؟

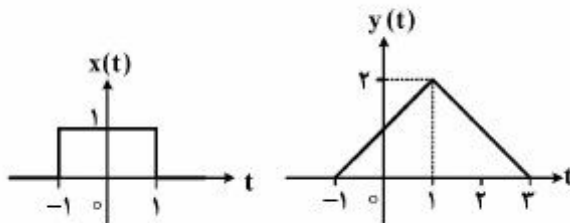
- (۱)  $\frac{1}{3} \times \begin{bmatrix} 200 & -100 \\ 10 & -80 \end{bmatrix}$
- (۲)  $\frac{1}{3} \times \begin{bmatrix} 200 & -100 \\ 80 & -10 \end{bmatrix}$
- (۳)  $\frac{1}{3} \times \begin{bmatrix} -200 & 100 \\ -80 & 10 \end{bmatrix}$
- (۴)  $\frac{1}{3} \times \begin{bmatrix} -200 & 100 \\ -10 & 80 \end{bmatrix}$

۱۰۶- در مدار زیر، ولتاژ  $V_L(t)$  در حالت دائمی سینوسی، چند ولت است؟



- (۱)  $\frac{2}{3} \cos 2t + \frac{16}{15} \sin 4t$
- (۲)  $\frac{2}{3} \sin 2t + \frac{16}{15} \cos 4t$
- (۳)  $\frac{3}{2} \sin 2t + \frac{15}{16} \cos 4t$
- (۴)  $\frac{3}{2} \cos 2t + \frac{15}{16} \sin 4t$

۱۰۷- در یک مدار خطی تغییرناپذیر با زمان، برای ورودی  $x(t)$  پاسخ حالت صفر  $y(t)$  به دست می‌آید. پاسخ این مدار

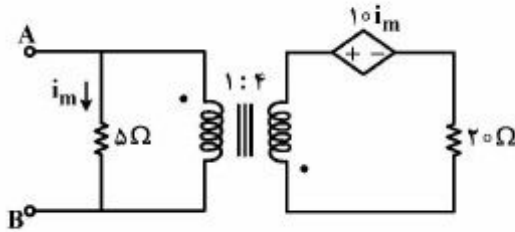


به ورودی  $x(t) = \sin t u(t)$  در  $t = \frac{\pi}{3}$ ، کدام است؟

- (۱) ۰
- (۲)  $\frac{1}{2}$
- (۳) ۱
- (۴) ۲

# مستر تست: وبسایت تخصصی آزمون کارشناسی ارشد

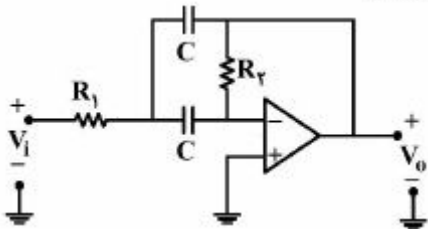
۱۰۸- امپدانس دیده شده از سرهای A و B، در مدار زیر، چند اهم است؟



- (۱)  $\frac{4}{3}$
- (۲)  $\frac{3}{4}$
- (۳)  $\frac{7}{5}$
- (۴)  $\frac{5}{7}$

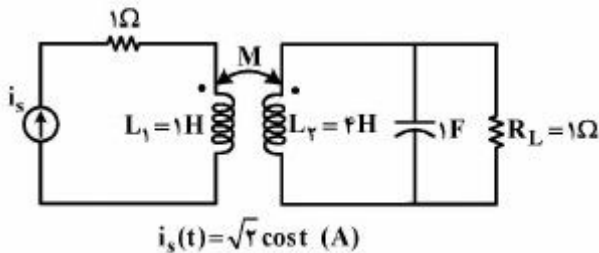
۱۰۹- در مدار زیر، فرکانس زاویه‌ای تشدید  $\omega_0$  تابع شبکه  $H(j\omega) = \frac{V_0}{V_i}$ ، چند رادیان بر ثانیه است؟

(تقویت‌کننده عملیاتی ایدئال است.  $C = 1\mu F$ ,  $R_f = 100\Omega$ ,  $R_1 = 1\Omega$ )



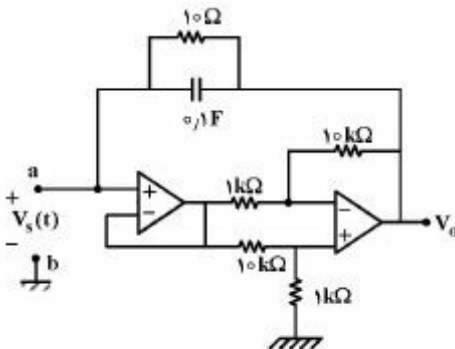
- (۱)  $5 \times 10^3$
- (۲)  $10^4$
- (۳)  $5 \times 10^4$
- (۴)  $10^5$

۱۱۰- در مدار زیر، M را طوری انتخاب کنید تا حداکثر توان متوسط به مقاومت بار  $R_L = 1\Omega$  انتقال داده شود. این توان چند وات است؟



- (۱)  $\frac{1}{25}$
- (۲)  $\frac{4}{25}$
- (۳)  $\frac{2}{25}$
- (۴)  $\frac{8}{25}$

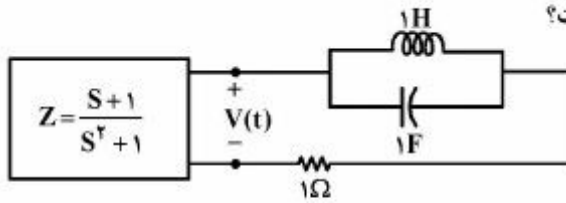
۱۱۱- در مدار زیر، مدار معادل دیده شده از سرهای a و b در حالت دائمی سینوسی برای ورودی  $V_s(t) = 10 \sin t$ ، برابر کدام است؟ تقویت‌کننده‌های عملیاتی ایدئال هستند.



- (۱) اتصال سری یک مقاومت ۵ اهم و یک خازن ۲ فاراد
- (۲) اتصال موازی یک مقاومت ۱۰ اهم و یک خازن ۱ فاراد
- (۳) اتصال سری یک مقاومت ۱۰ اهم و یک خازن ۰٫۱ فاراد
- (۴) اتصال موازی یک مقاومت ۱ اهم و یک خازن ۰٫۵ فاراد

# مستر تست: وبسایت تخصصی آزمون کارشناسی ارشد

۱۱۲- در مدار زیر، فرکانس‌های طبیعی ولتاژ  $V(t)$ ، کدام است؟



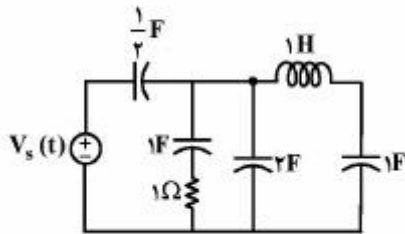
(۱)  $S = -1 \pm j, S = -1$

(۲)  $S = -0.5 \pm j0.5\sqrt{3}$

(۳)  $S = \pm j$

(۴)  $S = -1 \pm j$

۱۱۳- در مدار روبه‌رو، تعداد فرکانس‌های طبیعی غیرصفر، کدام است؟



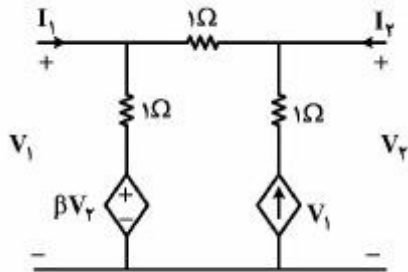
(۱) ۲

(۲) ۳

(۳) ۴

(۴) ۵

۱۱۴- در دوقطبی زیر، مقدار  $\beta$  چقدر باشد تا دو قطبی دارای ماتریس ادمیتانس بوده ولی ماتریس امپدانس نداشته باشد؟



(۱) ۱

(۲) ۰

(۳) -۱

(۴) -۲

۱۱۵- در مدار زیر، وقتی ورودی در قطب ۱ و ۱ برابر  $\delta(t)$  باشد، ولتاژ خروجی در قطب ۲ و ۲ برابر  $V_2 = e^{-t}$  ولت

است. اگر منبع تغذیه ورودی را اتصال کوتاه کنیم و در خروجی یک منبع جریان برابر  $\cos(t + \frac{\pi}{4})$  قرار دهیم،

ولتاژ  $V_2'(t)$  در قطب ۱ و ۱ برحسب ولت کدام است؟

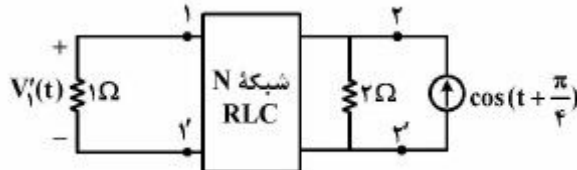


(۱)  $\frac{1}{\sqrt{2}} \cos(t - \frac{\pi}{4})$

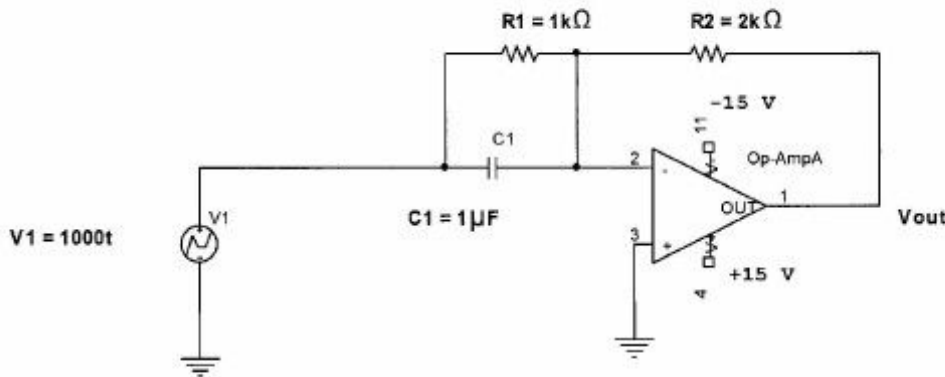
(۲)  $\frac{2}{\sqrt{2}} \cos(t + \frac{\pi}{4})$

(۳)  $\frac{2}{\sqrt{2}} \cos t$

(۴)  $\frac{1}{\sqrt{2}} \cos t$



۱۱۶- در مدار زیر Op-Amp ایدئال، ولتاژ خازن برای  $t < 0$  برابر با صفر و  $V_1 = 1000t$  ولت (t بر حسب ثانیه) برای  $t > 0$  می‌باشند. ولتاژ  $V_{out}$  در  $t = 1ms$  برابر چند ولت می‌باشد؟

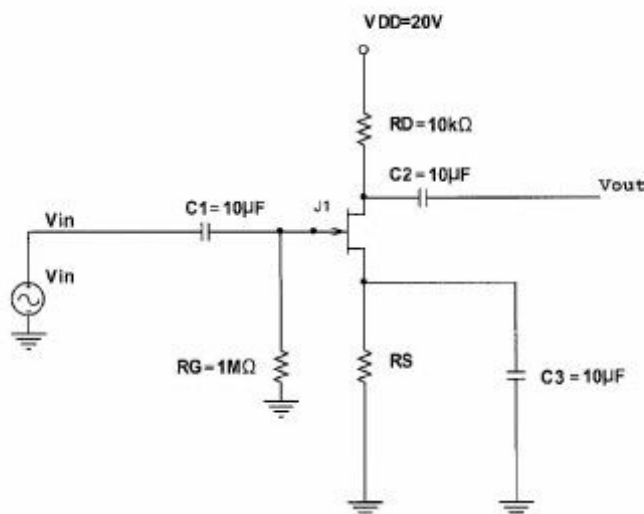


- (۱) -۳
- (۲) -۴
- (۳) -۵
- (۴) -۶

۱۱۷- درجه حرارت ماکزیمم اتصال یک ترانزیستور قدرت  $T_{Jmax} = 200^\circ C$ ، ظرفیت توان ترانزیستور در درجه حرارت بدنه  $T_C = 25^\circ C$  برابر با ۱۵۰ وات می‌باشد. اگر مقاومت حرارتی واشر میکا بین بدنه ترانزیستور و خنک‌کننده  $R_{CS} = 0.5 \frac{^\circ C}{W}$ ، مقاومت حرارتی بین بدنه ترانزیستور و محیط  $R_{ca} = 15 \frac{^\circ C}{W}$ ، درجه حرارت محیط  $T_A = 50^\circ C$  و توان تلف شده در ترانزیستور ۵۶ وات باشد، حداکثر مقاومت حرارتی خنک‌کننده  $R_{sa}$  چند  $\frac{^\circ C}{W}$  است؟

- (۱) ۲
- (۲) ۱/۵
- (۳) ۱
- (۴) ۲/۵

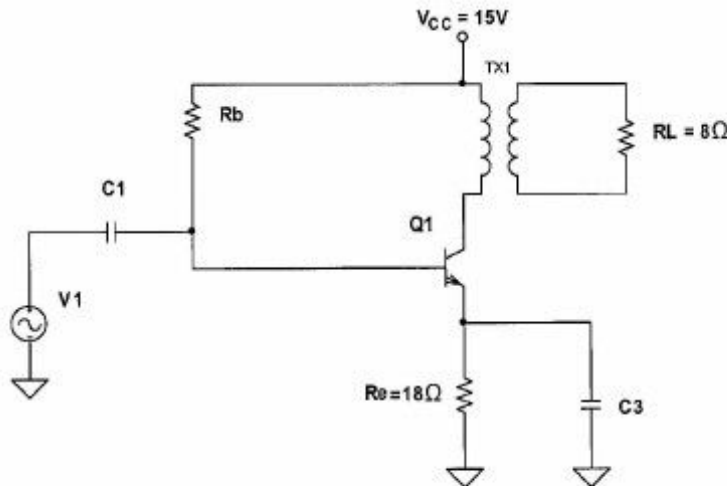
۱۱۸- در مدار زیر مقاومت RS را به گونه‌ای تعیین می‌کنیم که  $IDQ = 0.7 mA$  شود. بهره ولتاژ  $(V_{out}/V_{in})$  این تقویت‌کننده، کدام است؟ ( $IDSS = 1.4 mA, V_p = -2V, rd = \infty$ )



- (۱) ۶
- (۲) ۸
- (۳) ۱۰
- (۴) ۱۲

# مستر تست: وبسایت تخصصی آزمون کارشناسی ارشد

۱۱۹- در تقویت‌کننده زیر برای یک موج ورودی سینوسی مناسب، موج خروجی سینوسی با حداکثر دامنه‌های مثبت و منفی متقارن ایجاد می‌گردد. مقاومت  $R_b$  به گونه‌ای تنظیم می‌شود که  $I_{CQ} = 200 \text{ mA}$  شود. نسبت دورهای اولیه به ثانویه ترانسفرمر، کدام است؟  $V_{CE(sat)} = 0.7 \text{ V}$  و خازن‌ها بزرگ فرض شوند.

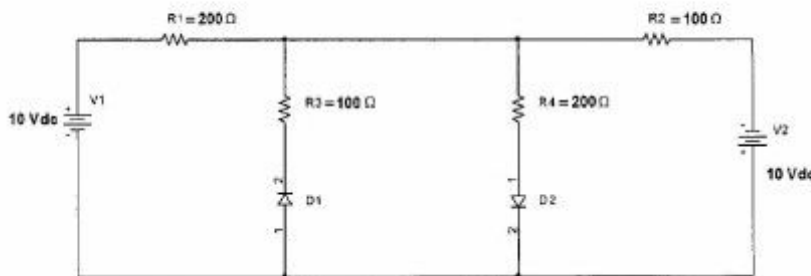


- (۱) ۲/۳
- (۲) ۲/۶
- (۳) ۲/۹
- (۴) ۳/۲

۱۲۰- یک تقویت‌کننده قدرت پوش پول کلاس B با دو منبع  $V_{CC} = \pm 20 \text{ V}$  تغذیه می‌شود و مقاومت بار  $R_L = 8 \Omega$  است. در این تقویت‌کننده توان تلف شده در دو ترانزیستور قدرت مکمل و متقارن حداکثر می‌باشد. توان کل دریافت شده از منابع تغذیه، چند وات است؟

- (۱) ۲۰
- (۲) ۲۴
- (۳) ۲۸
- (۴) ۳۲

۱۲۱- جریان الکتریکی در مقاومت  $R_1$  در مدار زیر، چند میلی‌آمپر است؟ (دیودها ایدئال فرض شوند)



- (۱) ۵۸
- (۲) ۶۰
- (۳) ۶۲
- (۴) ۶۴

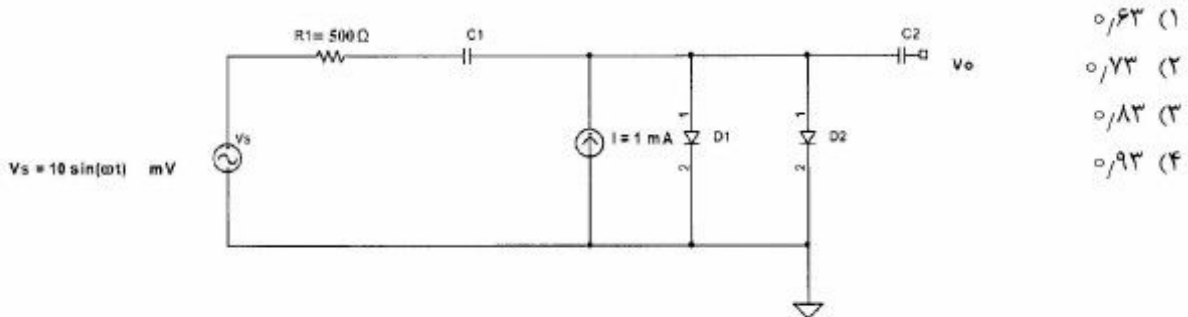
۱۲۲- خروجی یک ترانسفرمر  $220 \text{ V}$  به  $12 \text{ V}$  ولت به یک یکسوکننده نیم موج، که از یک دیود استفاده می‌کند، اعمال می‌گردد و یک فیلتر خازنی ولتاژ قله به قله ریپل (ripple) را به یک ولت کاهش می‌دهد. مقاومت بار  $R_L = 1000 \Omega$  است. میانگین تغییرات جریان دیود در زمان هدایت، چند میلی‌آمپر است؟ (ولتاژ ac ورودی ترانسفرمر  $\pm 1\%$  نوسان دارد)

- (۱) ۲۰۷
- (۲) ۳۴۷
- (۳) ۳۶۷
- (۴) ۳۸۷

# مستر تست: وبسایت تخصصی آزمون کارشناسی ارشد

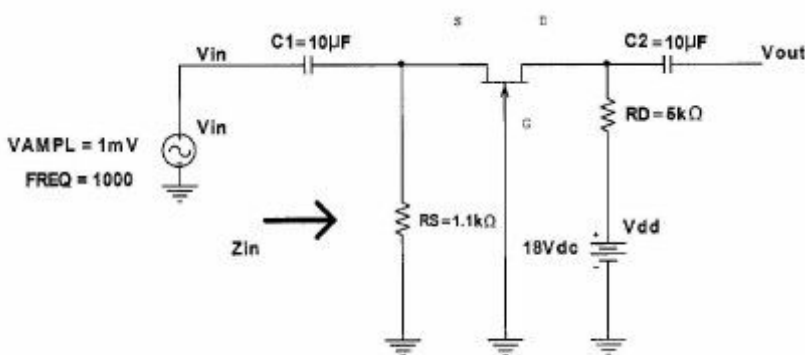
۱۲۳- در مدار زیر، حداکثر دامنه ولتاژ  $V_o$ ، چند میلی‌ولت است؟  $V_s = 10 \sin(\omega t) \text{ mV}$ ، مقدار هر یک از خازن‌ها بزرگ فرض شود، دیودها مشابه هستند و برای آنها مقادیر زیر در نظر گرفته شوند:

$(k = 1.38 \times 10^{-23} \text{ Joules/Kelvin}, T = 25^\circ\text{C}, q = 1.6 \times 10^{-19} \text{ Coulomb}, n = 2)$



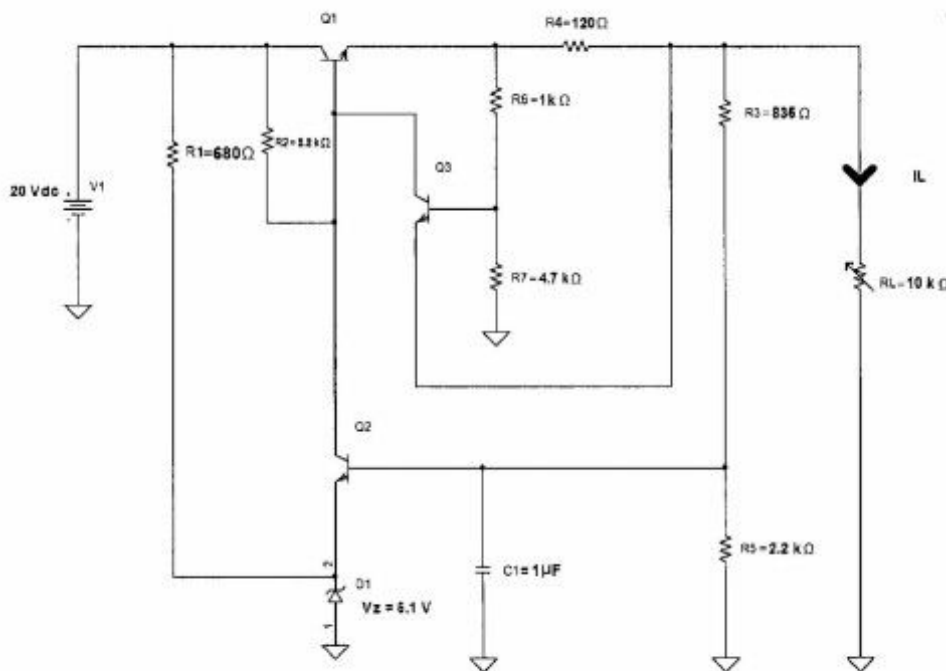
- (۱) ۰٫۶۳
- (۲) ۰٫۷۳
- (۳) ۰٫۸۳
- (۴) ۰٫۹۳

۱۲۴- امپدانس ورودی  $Z_{in}$  در مدار زیر، چند اهم است؟ برای ترانزیستور  $(I_{DSS} = 1 \text{ mA}, V_p = -4 \text{ V}, r_d = \infty)$  فرض شود.



- (۱) ۳۲۰
- (۲) ۵۸۰
- (۳) ۸۴۰
- (۴) ۱۱۰۰

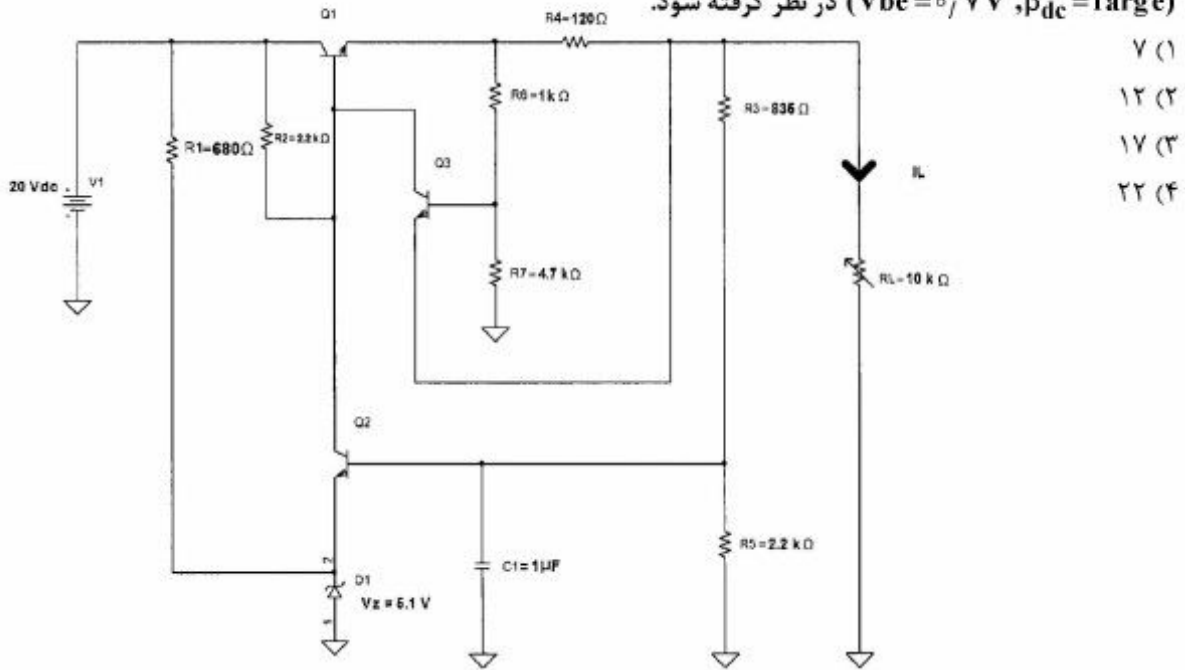
۱۲۵- حداکثر مقدار جریان بار  $I_L$  در مدار زیر، چند میلی‌آمپر است؟ برای ترانزیستورها  $(V_{be} = 0.7 \text{ V}, \beta_{dc} = \text{large})$  در نظر گرفته شود.



- (۱) ۳۰
- (۲) ۲۷
- (۳) ۲۴
- (۴) ۲۱

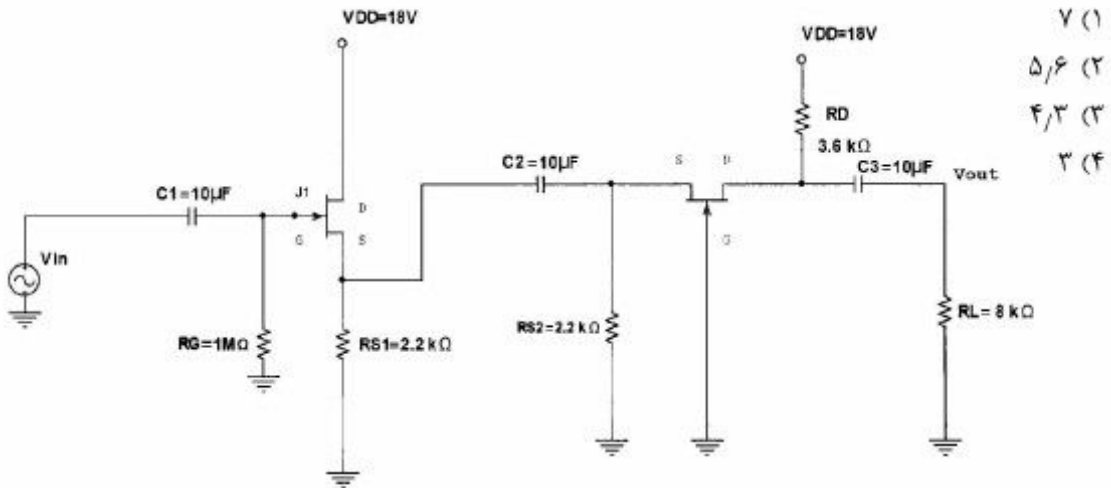
# مستر تست: وبسایت تخصصی آزمون کارشناسی ارشد

۱۲۶- مقدار جریان اتصال کوتاه جریان بار  $I_L$  در مدار زیر، چند میلی آمپر است؟ برای ترانزیستورها در نظر گرفته شود. ( $V_{be} = 0.7V, \beta_{dc} = large$ )



- ۷ (۱)
- ۱۲ (۲)
- ۱۷ (۳)
- ۲۲ (۴)

۱۲۷- بهره ولتاژ ( $V_{out}/V_{in}$ ) مدار زیر، کدام است؟ ترانزیستورها مشابه بوده و برای پارامترهای آنها مقادیر  $(I_{DSS} = 20mA, V_p = -4V, r_d = \infty)$  در نظر گرفته شود.

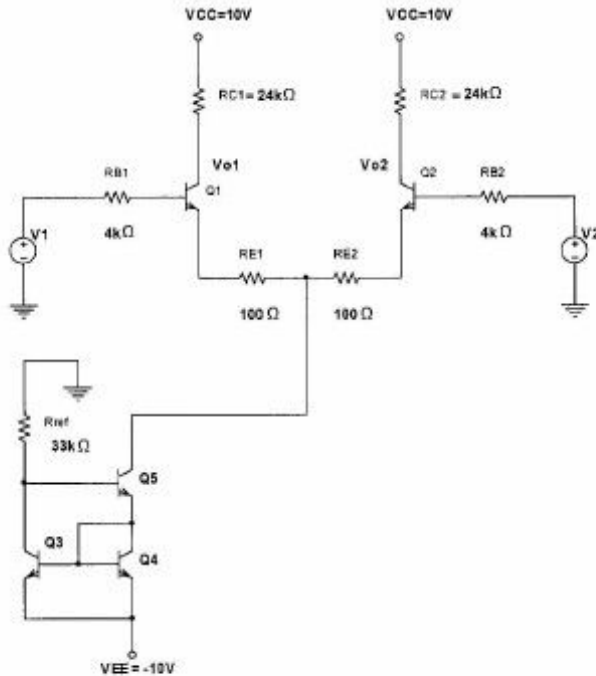


- ۷ (۱)
- ۵/۶ (۲)
- ۴/۳ (۳)
- ۳ (۴)

# مستر تست: وبسایت تخصصی آزمون کارشناسی ارشد

۱۲۸- بهره تفاضلی  $\frac{V_{O1}}{V_{I1} - V_{I2}}$  برای خروجی نامتقارن  $V_{O1}$  آمپلی فایر تفاضلی شکل زیر، کدام است؟ مشخصات

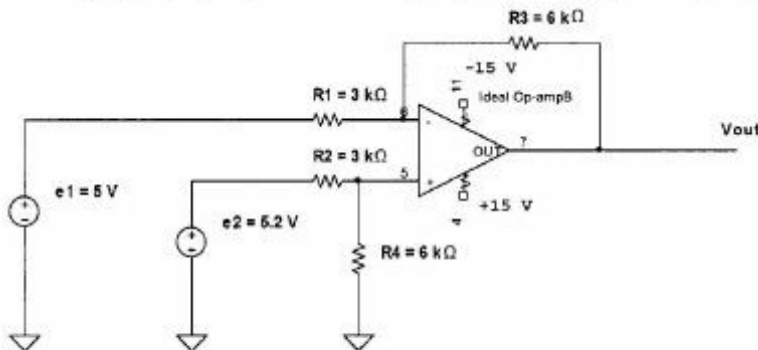
ترانزیستورها  $Q_1$  تا  $Q_5$  را ( $\beta = 100, V_{BEQ} = 0.7V, V_T = 25mV$ ) در نظر بگیرید.



- (۱)  $-33/2$
- (۲)  $-36/2$
- (۳)  $-39/2$
- (۴)  $-42/2$

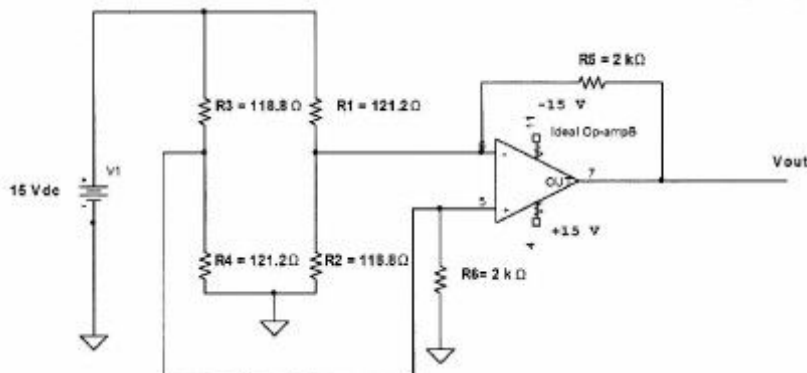
۱۲۹- در مدار زیر، مقاومت  $R_4$  به اندازه  $0.2\%$  درصد تغییر می‌کند. در این صورت  $CMRR$  کل مدار در خروجی  $V_{out}$

آمپلی فایر، چند dB است؟



- (۱) ۵۱
- (۲) ۵۷
- (۳) ۶۳
- (۴) ۶۹

۱۳۰- در مدار زیر ولتاژ خروجی  $V_{out}$ ، چند ولت است؟



- (۱) ۴.۸
- (۲) ۵.۴
- (۳) ۵.۲
- (۴) ۵