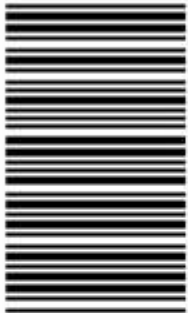


کد کنترل

8533

A



853A

عصر پنجشنبه

۱۳۹۸/۳/۲۳



«اگر دانشگاه اصلاح شود مملکت اصلاح می‌شود.»
امام خمینی (ره)

جمهوری اسلامی ایران
وزارت علوم، تحقیقات و فناوری
سازمان سنجش آموزش کشور

آزمون ورودی دوره‌های کارشناسی ارشد ناپیوسته داخل - سال ۱۳۹۸

مهندسی ابزار دقیق و اتوماسیون در صنایع نفت - کد (۱۲۹۰)

مدت پاسخ‌گویی: ۲۰۰ دقیقه

تعداد سؤال: ۱۳۰

عنوان مواد امتحانی، تعداد و شماره سؤالات

ردیف	مواد امتحانی	تعداد سؤال	از شماره	تا شماره
۱	زبان عمومی و تخصصی (انگلیسی)	۳۰	۱	۳۰
۲	ریاضیات مهندسی	۱۵	۳۱	۴۵
۳	کنترل خطی و غیرخطی	۱۵	۴۶	۶۰
۴	ترمودینامیک	۲۰	۶۱	۸۰
۵	انتخاب ۲ مکانیک سیالات و انتقال حرارت	۲۰	۸۱	۱۰۰
۶	درس ۴ مدارهای الکتریکی (۲و۱)	۱۵	۱۰۱	۱۱۵
۷	الکترونیک (۲و۱)	۱۵	۱۱۶	۱۳۰

استفاده از ماشین حساب مجاز نیست.

این آزمون نمره منفی دارد.

حق چاپ، تکثیر و انتشار سؤالات به هر روش (الکترونیکی و...) پس از برگزاری آزمون، برای تمامی اشخاص حقیقی و حقوقی تنها با مجوز این سازمان مجاز می‌باشد و یا متخلین برابر مقررات رفتار می‌شود.

۱۳۹۸

* داوطلب گرامی، عدم درج مشخصات و امضا در مندرجات جدول ذیل، به منزله عدم حضور شما در جلسه آزمون است.

اینجانب با شماره داوطلبی با آگاهی کامل، یکسان بودن شماره صندلی خود را با شماره داوطلبی مندرج در بالای کارت ورود به جلسه، بالای پاسخنامه و دفترچه سؤالات، نوع و کد کنترل درج شده بر روی دفترچه سؤالات و پائین پاسخنامه را تأیید می‌نمایم.

امضا:

زبان عمومی و تخصصی (انگلیسی):

PART A: Vocabulary

Directions: Choose the word or phrase (1), (2), (3), or (4) that best completes each sentence. Then mark the answer on your answer sheet.

- 1- Some vegetarians are not just indifferent to meat; they have a/an ----- toward it.
1) immorality 2) tendency 3) antipathy 4) commitment
- 2- A recent study shows that the prevalence and sometimes misuse of cell phones and computers has led to a/an ----- in some people about the benefits of technology.
1) ambivalence 2) distinction 3) encouragement 4) compromise
- 3- My niece has a ----- imagination. She can turn a tree and a stick into a castle and a wand and spend hours in her fairy kingdom.
1) vacuous 2) vivid 3) cyclical 4) careless
- 4- The singer's mellifluous voice kept the audience ----- for two hours.
1) disputed 2) disregarded 3) frustrated 4) enchanted
- 5- His family, relatives, and friends still cling to the hope that Jeff will someday ----- himself from the destructive hole he now finds himself in.
1) evade 2) prevent 3) deprive 4) extricate
- 6- Logan has been working long hours, but that is no excuse for him to be ----- to customers.
1) ingenious 2) intimate 3) discourteous 4) redundant
- 7- Although he was found -----, he continued to assert that he was innocent and had been falsely indicted.
1) critical 2) guilty 3) problematic 4) gloomy
- 8- The old sailor's skin had become wrinkled and ----- from years of being out in the sun and the wind.
1) desiccated 2) emerged 3) intensified 4) exposed
- 9- The promoters conducted a survey to study the ----- of the project before investing their money in it.
1) impression 2) visibility 3) feasibility 4) preparation
- 10- That is too ----- an explanation for this strange phenomenon—I am sure there's something more complex at work.
1) simplistic 2) lengthy 3) profound 4) initial

PART B: Cloze Test

Directions: Read the following passage and decide which choice (1), (2), (3), or (4) best fits each space. Then mark the correct choice on your answer sheet.

Some researchers investigated the effect of listening to music by Mozart (11) ----- spatial reasoning, and the results were published in *Nature*. They gave research participants one of three standard tests of abstract spatial reasoning (12) ----- each of three listening conditions: the Sonata for Two Pianos in D major, K. 448 by Mozart, verbal relaxation instructions, and (13) ----- . They found a temporary enhancement of spatial-reasoning, (14) ----- spatial-reasoning subtasks of the Stanford-Binet IQ test. Rauscher et al. show that (15) ----- the music condition is only temporary.

- | | | | | |
|-----|-------------------------------------|---------------|-------------------------------|---------------|
| 11- | 1) in | 2) for | 3) of | 4) on |
| 12- | 1) having experienced | | 2) after they had experienced | |
| | 3) to be experiencing | | 4) to experience | |
| 13- | 1) silence | 2) was silent | 3) there was silent | 4) of silence |
| 14- | 1) then measured | | 2) that was measured | |
| | 3) as measured by | | 4) to be measuring | |
| 15- | 1) the effect of the enhancement of | | | |
| | 2) the enhancing effect of | | | |
| | 3) enhances the effect of | | | |
| | 4) is enhanced by | | | |

PART C: Reading Comprehension

Directions: Read the following three passages and answer the questions by choosing the best choice (1), (2), (3), or (4). Then mark the correct choice on your answer sheet.

PASSAGE 1:

Automation is the technology by which a procedure is performed with minimum human assistance. Automation or automatic control is the use of various control systems for operating equipment such as machinery, processes in factories, boilers and heat treating ovens, switching on telephone networks, steering and stabilization of ships, aircraft and other applications and vehicles with minimum or reduced human intervention. Some processes have been completely automated.

Automation covers applications ranging from a household thermostat controlling a boiler, to a large industrial control system with tens of thousands of input measurements and output control signals. In control complexity it can range from simple on-off control to multi-variable high level algorithms.

In the simplest type of an automatic control loop, a controller compares a measured value of a process with a desired set value, and processes the resulting error signal to change some input to the process, in such a way that the process stays at its set point

despite disturbances. This closed-loop control is an application of negative feedback to a system. The mathematical basis of control theory was begun in the 18th century, and advanced rapidly in the 20th.

Automation has been achieved by various means including mechanical, hydraulic, pneumatic, electrical, electronic devices and computers, usually in combination. Complicated systems such as modern factories, airplanes and ships typically use all these combined techniques. The benefits of automation include labor savings, savings in electricity costs, savings in material costs, and improvements to quality, accuracy and precision.

The world Bank's World Development Report 2019 shows evidence that while automation displaces workers, innovation creates new industries.

- 16- **The passage is mainly about -----.**
 1) areas where automation is applied
 2) the advantages of using automation
 3) the components of an automation system
 4) the extent to which human intervention is reduced
- 17- **Paragraph two mainly discusses -----.**
 1) simple control units
 2) industrial automation
 3) the extent of applying automation
 4) complicated equipment using automation
- 18- **Workers do not have to worry about being replaced because -----.**
 1) quality is improved faster
 2) modern industries use combined techniques
 3) they are displaced to new industries and jobs
 4) the benefits of automation include labor savings
- 19- **The operation of an automatic control loop is based on a ----- a measured value and a set value.**
 1) combination of
 2) measurement of
 3) distribution of
 4) comparison between
- 20- **According to the passage, the word "precision" in line 22 is closest in meaning to -----.**
 1) rapid
 2) accuracy
 3) improved
 4) advanced

PASSAGE 2:

On-line measurement of small quantities of oil (to the +5 ppm level) in water is extremely difficult. Several mistakes were made during the early stages of equipment development for marine use by attempting to directly transfer laboratory techniques to the marine environment. As a result, equipment failed through corrosion, accuracy problems and lack of robustness. It seemed that the problem had to be viewed afresh, taking into account the difficult environmental conditions. The original test specifications (A.-233(VII)) put forward with the assistance of OCIMF (Oil Companies' International Marine Forum), were therefore developed further, with OCIMF's further co-operation, to give A.393(X) as an improved initial target. This

more realistic approach led to the development of more acceptable types of instrumentation.

The automatic reaction of a physicist or chemist to the requirement for measuring very small concentrations (in the region of ± 5 ppm) of oil in water, would be to construct equipment which could detect some specific quantity related to the basic hydrocarbon molecule. Typical examples are the detection of the (C-H) stretching frequencies in the near infrared (e.g. 3.4 J-Lm), or the ultraviolet fluorescence of hydrocarbon ring molecules. The former has the definite advantage that it can be related directly to an accepted international laboratory standard for the measurement of oil-in-water. However, it is fair to note that both these fundamental techniques suffer serious difficulties when they are transferred to the field, or on board ship for on-line monitoring. It is now recognised that other simpler and less basic techniques which are more suitable (although in some cases they may be less aesthetically pleasing to the pure chemist or physicist) could also be applied. It seems that for this application the measuring cell should be kept simple, but that some degree of sophisticated signal processing is acceptable.

- 21- **The passage primarily discusses -----.**
 1) techniques to combat corrosion
 2) prevention of oil discharge in oceans
 3) measuring very small concentrations of oil in water
 4) on-line reduction of oil quantities in water
- 22- **According to paragraph 1, the problem with the early stages of equipment development for marine use was -----.**
 1) not taking accuracy into account
 2) directly adopting laboratory techniques
 3) paying too much attention to the environmental conditions
 4) being unable to develop equipment inside the marine environment
- 23- **Which of following is true of A. 393(X)?**
 1) It was more realistic than A. 233(VII).
 2) It failed a number of times in its early years.
 3) It was first developed by an oil company.
 4) It did not take into account the environment.
- 24- **The phrase "the former" in paragraph 2 refers to -----.**
 1) 3.4 J-Lm
 2) the measurement of oil in water
 3) the ultraviolet fluorescence of hydrocarbon ring molecules
 4) the detection of the (C-H) stretching frequencies in the near infrared
- 25- **What is the author's attitude toward a simple measuring cell for the measurement of oil in water?**
 1) Critical
 2) Favorable
 3) Ambivalent
 4) Disapproving

PASSAGE 3:

The scale of global transportation of oil cargoes has led to a demand for increased control and international legislation to combat accidental and operational discharges of oily wastes and residues at sea. Since 1954 the International Maritime Organisation

(IMO) has provided the international forum for the development of several proposals for controlling oil pollution from shipping, which culminated in the 1973 International Convention for Prevention of Pollution from Ships and the 1978 Protocol relating to this Convention, together known as MARPOL 73178.

Apart from the requirement for improvements in the constructional design of tankers, and operational procedures to enhance both safety and pollution control in the carriage of oil and other noxious substances at sea, MARPOL 73178 called for the extensive installation of oil discharge monitoring, control and separating equipment on board ships and offshore platforms. The 1973 Convention came into force in October 1983, twelve months after sufficient countries had ratified it and agreed to abide by the international rules and regulations. As a result, a large number of systems have now been installed and are operational. The demand to separate oil from water to give an oil content of less than 15 parts per million (ppm) and measure this on-line in an extremely difficult environment has provided a considerable impetus for the development of novel and robust instrumentation and systems.

- 26- According to paragraph 1, an increased demand for oil pollution control at sea is due to -----.
- 1) the vast scale of oil shipment
 - 2) the lack of legislation on oil cargoes
 - 3) the recent awareness-raising programs
 - 4) the extinction of several fish species
- 27- It can be understood from paragraph 1 that MARPOL 73178 -----.
- 1) is an oil company
 - 2) was a result of IMO's efforts
 - 3) is the name of a convention
 - 4) is the name given to the 1978 Protocol
- 28- Which of the following is NOT demanded by MARPOL 73178?
- 1) Improving pollution control
 - 2) Enhancing constructional design of tankers
 - 3) Installation of oil discharge monitoring
 - 4) Separating oil from noxious substances
- 29- The phrase "abide by" in paragraph 2 is closest in meaning to -----.
- 1) obey
 - 2) impose
 - 3) establish
 - 4) disregard
- 30- The passage implies that the precision needed in separating oil from water requires -----.
- 1) new international legislation
 - 2) trained and skilled engineers
 - 3) the development of powerful instrumentation and systems
 - 4) a considerable international impetus for funding oil companies

ریاضیات مهندسی:

۳۱- اگر $f(x) = \sum_{n=0}^{\infty} \frac{4(-1)^n}{2n^2 - 3} \cos 2nx$ باشد، حاصل $\int_0^{\pi} f(x) \cos 4x dx$ ، کدام است؟

(۱) $\frac{-2\pi}{5}$

(۲) $\frac{-\pi}{5}$

(۳) $\frac{2\pi}{5}$

(۴) $\frac{\pi}{5}$

۳۲- اگر سری فوریه تابع $f(t) = \begin{cases} 0 & -\pi \leq t \leq 0 \\ \sin t & 0 \leq t \leq \pi \end{cases}$ به صورت زیر باشد، در آن صورت b_n ها به چه شکل هستند؟

$$a_0 + \sum_1^{\infty} (a_n \cos nt + b_n \sin nt)$$

(۱) $b_n = \frac{(-1)^n}{4n^2 - 1}$ و $b_1 = \frac{1}{2}$ برای هر $n \neq 1$

(۲) $b_n = \frac{1}{4n^2 - 1}$ و $b_1 = \frac{-1}{2}$ برای هر $n \neq 1$

(۳) $b_n = 0$ و $b_1 = \frac{-1}{2}$ برای هر $n \neq 1$

(۴) $b_n = 0$ و $b_1 = \frac{1}{2}$ برای هر $n \neq 1$

۳۳- اگر $e^{-kx} = \frac{2k}{\pi} \int_0^{\infty} \frac{\cos wx}{k^2 + w^2} dw$ باشد ($k > 0$)، مقدار $\int_0^{\infty} \frac{\cos wx}{(4 + w^2)^2} dw$ ، کدام است؟

(۱) $\frac{\pi}{32} (1 + 2x) e^{-2x}$

(۲) $-\frac{\pi}{32} (1 + 2x) e^{-2x}$

(۳) $\frac{\pi}{32} (1 - 2x) e^{-2x}$

(۴) $-\frac{\pi}{32} (1 - 2x) e^{-2x}$

۳۴- اگر $u(e, \frac{\pi}{4}) = \sqrt{2}$ و $u(e, 0) = -\sqrt{2}$ باشد، جواب معادله دیفرانسیل با مشتقات جزئی

$$x^2 u_{xx} + xu_x + y^2 u = 0 \text{ کدام است؟}$$

$$u(x, y) = \frac{\sqrt{2}}{2} (\cos(y \ln x) - \sin(y \ln x)) \quad (1)$$

$$u(x, y) = -\sqrt{2} (\cos(y \ln x) - \sin(y \ln x)) \quad (2)$$

$$u(x, y) = -\frac{\sqrt{2}}{2} (\cos(y \ln x) - \sin(y \ln x)) \quad (3)$$

$$u(x, y) = \sqrt{2} (\cos(y \ln x) - \sin(y \ln x)) \quad (4)$$

۳۵- در مسئله $u_{xx} + 2u_{yy} = 2u_{xy}$ با روش $u = A(x)B(y)$ و با فرض $B - kB'' = 0$ ، در چه صورت معادله حاکم

بر A جوابی به فرم $e^{\alpha t} (c_1 \cos \beta t + c_2 \sin \beta t)$ دارد؟ (α و β و c_1 و c_2 اعداد ثابت اند)

$$k < 0 \quad (1)$$

$$k > \frac{1}{2} \quad (2)$$

$$k > 0 \quad (3)$$

$$k < \frac{1}{2} \quad (4)$$

۳۶- معادله دیفرانسیل $(1+x)u_{xx} + 2xu_{xy} + yu_{yy} = 0$ روی خم $y = \frac{x^2}{1+x}$ از چه نوعی است؟

(۱) بیضوی

(۲) تعریف نشده

(۳) سهموی

(۴) هذلولوی

۳۷- با استفاده از روش تبدیل لاپلاس برای حل مسئله با مشتقات جزئی، تبدیل لاپلاس جواب مسئله زیر کدام است؟

$$\frac{\partial u}{\partial t} = \frac{\partial^2 u}{\partial x^2}, 0 < x < 1, t > 0$$

$$u(0, t) = u(1, t) = 0, u(x, 0) = \sin \pi x$$

$$U(x, s) = C_1(s)e^{\sqrt{sx}} + C_2(s)e^{-\sqrt{sx}} - \frac{\sin \pi x}{s + \pi^2} \quad (1)$$

$$U(x, s) = C_1(s)e^{\sqrt{sx}} + C_2(s)e^{-\sqrt{sx}} + \frac{\sin \pi x}{s - \pi^2} \quad (2)$$

$$U(x, s) = C_1(s)e^{\sqrt{sx}} + C_2(s)e^{-\sqrt{sx}} + \frac{\sin \pi x}{s + \pi^2} \quad (3)$$

$$U(x, s) = C_1(s)e^{\sqrt{sx}} + C_2(s)e^{-\sqrt{sx}} - \frac{\sin \pi x}{s - \pi^2} \quad (4)$$

۳۸- اگر تابع تحلیلی و $u = \sin 2x \sinh 2y$ و $f(0) = 2i$ باشد، آنگاه $f\left(\frac{i}{2}\right)$ کدام است؟

(۱) $i - i \cosh 1$

(۲) $i + \cos 1$

(۳) $i(1 + \cosh 1)$

(۴) $i - \cos 1$

۳۹- سری لوران تابع $f(z) = \frac{z}{z^2 - 4z + 3}$ حول $z = 0$ در ناحیه $1 < |z| < 3$ ، کدام است؟

(۱) $-\frac{1}{2} \sum_{n=0}^{\infty} \frac{1 + 3^{n+1}}{z^{n+1}}$

(۲) $-\frac{1}{2} \sum_{n=0}^{\infty} \frac{3^n + z^{2n+1}}{3^n z^{n+1}}$

(۳) $\frac{1}{2} \sum_{n=0}^{\infty} \frac{3^n z^n + z^n}{3^n}$

(۴) $\frac{1}{2} \sum_{n=0}^{\infty} \frac{z^{2n+1} + 3^{n+1}}{z^{n+1}}$

۴۰- کدام گزینه در مورد تابع $f(z) = \frac{\sin z}{z^2}$ ، درست است؟

(۱) $f(z)$ در $z = \infty$ یک قطب از مرتبه دو دارد.

(۲) $f(z)$ در $z = \infty$ یک قطب ساده دارد.

(۳) $f(z)$ در $z = \infty$ یک قطب اساسی دارد.

(۴) $f(z)$ در $z = \infty$ فاقد قطب است.

۴۱- حاصل انتگرال $\int_{|z|=1} \left(\frac{e^{|z|}}{|z|} + \tan z \right) dz$ ، کدام است؟

(۱) ۰

(۲) $2\pi i$

(۳) $2\pi e$

(۴) $2\pi e i$

۴۲- مقدار انتگرال $\oint_C \frac{P'(z)}{P(z)} dz$ کدام است؟ اگر $P(z) = (z - z_1) \dots (z - z_n)$ ، z_j ها اعداد مختلط متمایزند و C

یک خم ساده بسته در برگیرنده همه z_j ها باشد.

(۱) $2n\pi i$

(۲) $n\pi i$

(۳) $\frac{1}{n!} 2\pi i$

(۴) $\frac{1}{n!} \pi i$

۴۳- حاصل انتگرال $\int_0^\pi \sin(e^{r i \theta}) \sin^2(\theta) d\theta$ ، کدام است؟

(۱) $-\frac{\pi}{4}$

(۲) ۰

(۳) $\frac{\pi}{4}$

(۴) $\frac{\pi}{2}$

۴۴- مقدار $\oint_C e^z \sin z dz$ وقتی C خم ساده بسته در برگیرنده مرکز مختصات باشد، کدام است؟

(۱) $2\pi i \sum_{n=0}^{\infty} \frac{1}{(2n+1)!(2n)!}$

(۲) $2\pi i \sum_{n=1}^{\infty} \frac{1}{(2n-1)!(2n+1)!}$

(۳) $2\pi i \sum_{n=0}^{\infty} \frac{(-1)^n}{(2n+1)!(2n+2)!}$

(۴) $2\pi i \sum_{n=1}^{\infty} \frac{(-1)^{n+1}}{(2n-1)!(2n+1)!}$

۴۵- مقدار $I = \text{Pr. V} \int_{-\infty}^{\infty} \frac{x^2 \cos x}{x^4 + \Delta x^2 + 4} dx$ ، کدام است؟

(۱) $\frac{\pi}{2} (e^{-2} - 2e^{-1})$

(۲) $\frac{\pi}{3} (e^{-2} - 2e^{-1})$

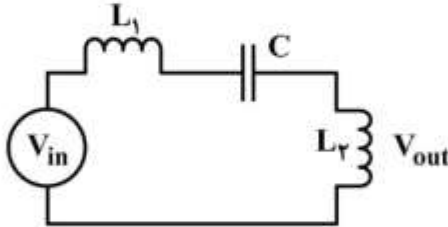
(۳) $\frac{\pi}{2} (2e^{-2} - e^{-1})$

(۴) $\frac{\pi}{3} (2e^{-2} - e^{-1})$

کنترل خطی و غیر خطی:

۴۶- در مدار زیر، تابع تبدیل سیستم $(T(s) = \frac{V_{out}}{V_{in}})$ ، نسبت به تغییرات مقدار خازن به ازای چه فرکانس‌هایی

به ترتیب حداقل و حداکثر حساسیت را از خود نشان می‌دهد؟ $(L_1 = 1, L_2 = 1, C = 1)$



(۱) $\omega = \frac{1}{\sqrt{2}}, \omega = 0$

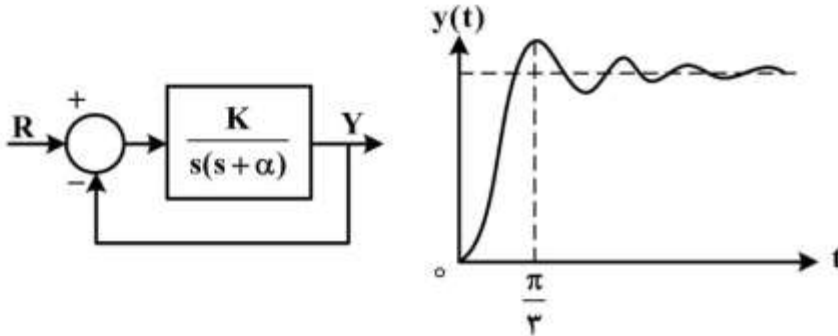
(۲) $\omega = 1, \omega = \frac{1}{\sqrt{2}}$

(۳) $\omega = \frac{1}{\sqrt{2}}, \omega = \infty$

(۴) $\omega = 0, \omega = \infty$

۴۷- سیستم کنترل شکل زیر و پاسخ پله آن را در نظر بگیرید. اگر خطای ماندگار به ورودی شیب واحد $\frac{1}{3}$ باشد، زمان

نشست با تولرانس دو درصد در پاسخ پله چند ثانیه است؟



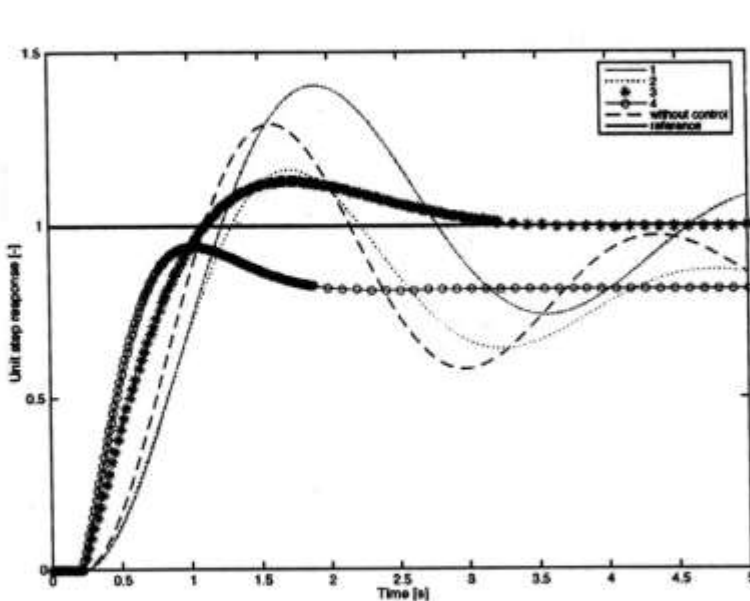
(۱) $\frac{2}{3}$

(۲) $\frac{3}{4}$

(۳) $\frac{3}{2}$

(۴) $\frac{4}{3}$

۴۸- پاسخ پله یک سیستم بدون کنترل کننده و در عین حال با در نظر گرفتن انواع مختلف کنترل کننده PID (P, PI, PD و PID) در شکل زیر نشان داده شده است. کدام نمودار مربوط به پاسخ کنترل کننده PD است؟



(۱) 1

(۲) 2

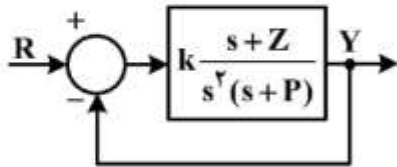
(۳) 3

(۴) 4

۴۹- پاسخ حلقه بسته سیستم زیر به ورودی ضربه واحد عبارت است از:

$$y(t) = [k_1 e^{-3t} + k_2 t e^{-3t} + k_3 t^2 e^{-3t}] u(t)$$

که در آن k_1 ، k_2 و k_3 مقادیر ثابت اند. خطای حالت دائم این سیستم در پاسخ به ورودی شتاب $(\frac{1}{4}t^2)$ کدام است؟



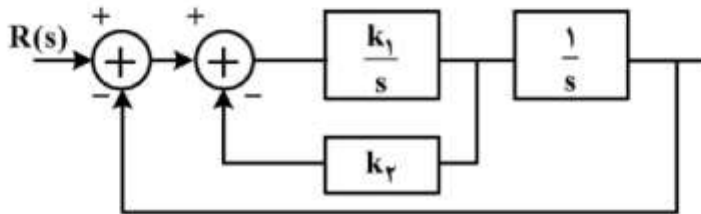
(۱) $\frac{1}{3}$

(۲) $\frac{1}{6}$

(۳) $\frac{1}{9}$

(۴) ۳

۵۰- مقادیر k_1 و k_2 در سیستم حلقه بسته زیر متنظر با نسبت میرایی $(\zeta = 0.4)$ و فرکانس طبیعی $(\omega_n = 1/6)$ کدام است؟



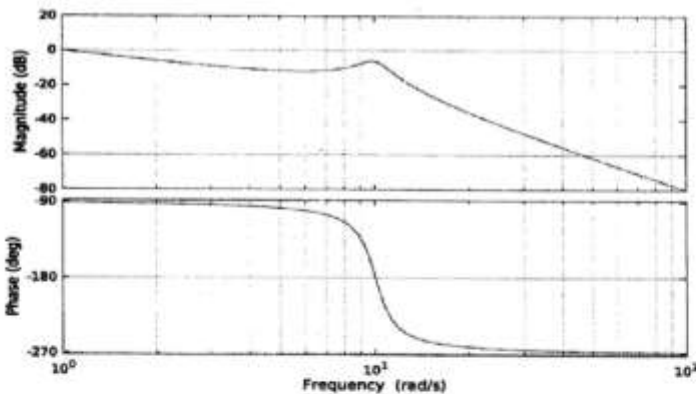
(۱) $k_1 = 3, k_2 = 0.5$

(۲) $k_1 = 2, k_2 = 1$

(۳) $k_1 = 3, k_2 = 1$

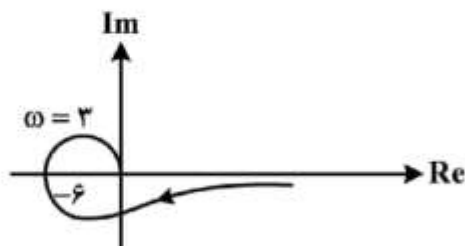
(۴) $k_1 = 3, k_2 = 2$

۵۱- با توجه به دیاگرام بود روبه‌رو، کدام گزینه درست است؟



- (۱) سیستم دارای دو قطب و بدون صفر است.
- (۲) سیستم دارای سه قطب و بدون صفر است.
- (۳) سیستم دارای سه قطب و دو صفر است.
- (۴) سیستم دارای چهار قطب و دو صفر است.

۵۲- نمودار قطبی سیستمی به صورت زیر است. به ازای چه بهره‌ای در آرایه رات، سطر صفر وجود دارد؟



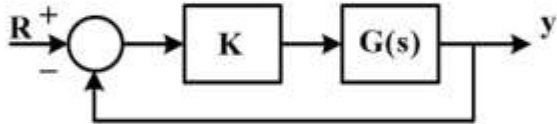
(۱) ۰.۱۶۷

(۲) ۰.۵

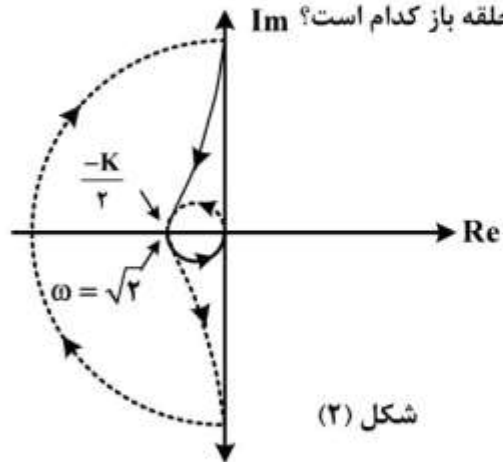
(۳) ۲

(۴) ۶

۵۳- سیستم حلقه بسته شکل (۱) را در نظر بگیرید. نمودار نایکوئیست مربوط به $G(s)$ به صورت شکل (۲) است. اگر سیستم حلقه بسته به ازای $0 \leq k \leq 2$ ناپایدار با دو قطب سمت راست محور موهومی باشد، محل قطب و صفرهای سیستم حلقه باز کدام است؟



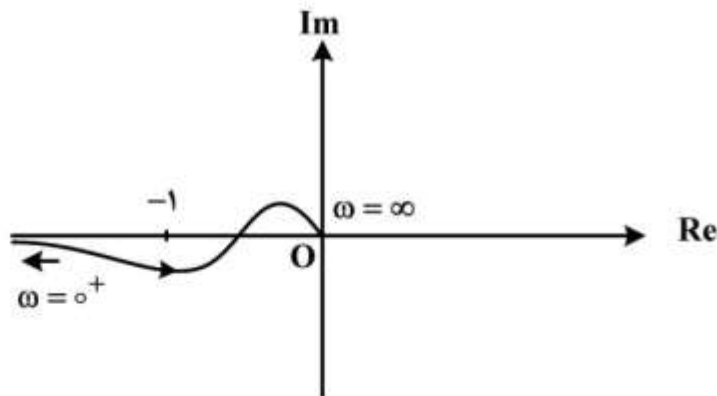
شکل (۱)



شکل (۲)

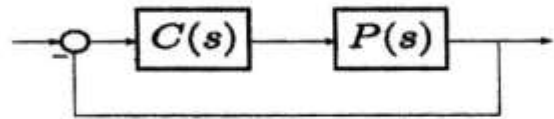
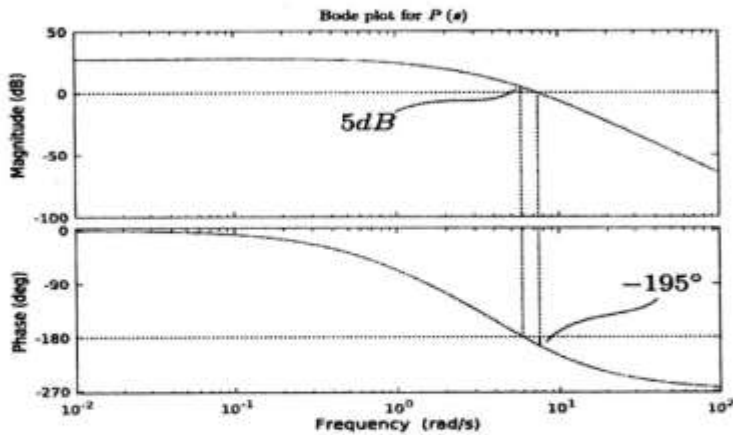
- (۱) +۲ : صفر ، ۱ ، ۰ : قطبها
- (۲) -۲ : صفر ، ۱ ، ۰ : قطبها
- (۳) -۱ : صفر ، -۲ ، ۰ : قطبها
- (۴) -۱ : صفر ، +۲ ، ۰ : قطبها

۵۴- نمودار نایکوئیست (قطبی) حلقه باز یک سیستم دارای فیدبک واحد به صورت زیر است. کدام عبارت درست است؟



- (۱) سیستم حلقه بسته، همواره پایدار است.
- (۲) اگر سیستم حلقه باز در نیم صفحه راست، قطب نداشته باشد، سیستم حلقه بسته ناپایدار است.
- (۳) اگر سیستم حلقه باز در نیم صفحه سمت راست، قطبی نداشته باشد، سیستم حلقه بسته پایدار است.
- (۴) اگر سیستم حلقه باز در نیم صفحه سمت راست، یک قطب داشته باشد، سیستم حلقه بسته پایدار است.

۵۵ - با توجه به دیاگرام بود زیر، کدام کنترل کننده، توانایی پایدار کردن سیستم حلقه بسته را دارد؟



$C(s) = 100$ (۱)

$C(s) = 0.1$ (۲)

$C(s) = \frac{1}{0.1s+1}$ (۳)

$C(s) = \frac{0.1s+1}{0.1s+1}$ (۴)

۵۶ - سیستمی با معادلات حالت غیر خطی $\begin{cases} \dot{x}_1 = -x_1^3 - x_2 \\ \dot{x}_2 = x_1 - x_2^3 \end{cases}$ توصیف می شود. نقاط تعادل سیستم کدام است؟

$\begin{cases} x_1 = 0 \\ x_2 = 0 \end{cases}$ (۱)

$\begin{cases} x_1 = 1 \\ x_2 = -1 \end{cases}$ (۲)

$\begin{cases} x_1 = -1 \\ x_2 = 1 \end{cases}$ (۳)

$\begin{cases} x_1 = -1 \\ x_2 = -1 \end{cases}$ (۴)

۵۷- در مورد رفتار سیستم حول نقطه تعادل سیستم زیر، چه می توان گفت؟

$$\dot{x}_1 = -x_1 - \frac{x_2}{\ln \sqrt{x_1^2 + x_2^2}}$$

$$\dot{x}_2 = -x_2 + \frac{x_1}{\ln \sqrt{x_1^2 + x_2^2}}$$

(۴) زین اسبی

(۳) کانون ناپایدار

(۲) نود پایدار

(۱) نود ناپایدار

۵۸- سیستم غیر خطی زیر را در نظر بگیرید:

$$\dot{x} = f(x), x \in \mathbb{R}^n$$

تابع کاندیدای لیاپانوف $V(x)$ و مشتق زمانی آن $\dot{V}(x)$ چنان داده شده اند که:

$$V(x) > 0, \forall x \in \mathbb{R}^n$$

$$\dot{V}(x) < 0, \forall x \in \mathbb{R}^n$$

آنگاه در مورد نقطه تعادل سیستم چه می توان گفت؟

(۱) پایداری مجانبی سراسری استنتاج می شود.

(۲) تنها پایداری محلی استنتاج می شود.

(۳) تنها پایداری سراسری استنتاج می شود.

(۴) تنها پایداری مجانبی محلی استنتاج می شود.

۵۹- برای سیستم زیر (که در آن f و g پیوسته و لیپشیتز بوده و برای x و y کراندار، کراندار فرض می شوند): انتخاب

برای سیستم زیر (که در آن f و g پیوسته و لیپشیتز بوده و برای x و y کراندار، کراندار فرض می شوند): انتخاب
 $\dot{V} = -x^T x$ به $V = x^T x + y^T y$ منجر شده است. در مورد همگرایی / واگرایی و کراندار / بیکران بودن x و y چه می توان گفت؟

$$\begin{cases} \dot{x} = f(t, x, y); x \in \mathbb{R}^m \\ \dot{y} = g(t, x, y); y \in \mathbb{R}^n \end{cases}$$

(۱) تنها x کراندار بوده و به مبدأ همگرا می شود.

(۲) x و y هر دو کراندار بوده و به مبدأ همگرا می شوند.

(۳) بدون آگاهی از توابع f و g نمی توان اظهار نظر کرد.

(۴) x و y هر دو کراندار بوده ولی صرفاً x به مبدأ همگرا می شود.

۶۰- محدوده تغییرات پارامتر a کدام مورد باشد تا تابع زیر تابع کاندید لیاپانوف باشد؟

$$V(x) = ax_1^2 + 2x_1 x_2 + ax_2^2 + 4x_2 x_3 + ax_3^2$$

(۱) $a < \sqrt{5}$

(۲) $a > \sqrt{5}$

(۳) $a > 2$

(۴) $a < 2$

ترمودینامیک:

۶۱- تغییرات آنترپیی مایعی با جرم m و دمای T_1 وقتی که با همان مایع و جرم ولی تحت دمای T_2 مخلوط شود، برابر کدام است؟ فرض کنید گرمای ویژه مایع ثابت باشد (C).

$$\Delta s = mC \ln\left(\frac{T_2}{T_1}\right) \quad (1)$$

$$\Delta s = mC \ln \frac{T_1 + T_2}{\sqrt{T_1 + T_2}} \quad (2)$$

$$\Delta s = 2mC \ln \frac{T_1 + T_2}{2\sqrt{T_1 T_2}} \quad (3)$$

$$\Delta s = mC \ln \left[\frac{T_1 + T_2}{2(T_1 T_2)} \right] \quad (4)$$

۶۲- در یک فرایند برگشت پذیر هم‌دما، فشار یک قطعه مسی با جرم 1 kg ، از 0.1 MPa و در دمای 15°C تا

100 MPa افزایش می‌یابد. تغییر آنترپیی در طی این فرایند، چند $\frac{\text{J}}{\text{kg}\cdot\text{K}}$ است؟

$$\alpha_p = 5.0 \times 10^{-5} \text{ K}^{-1} \text{ ضریب انبساط حجمی}$$

$$\beta_T = 8.6 \times 10^{-12} \text{ m}^2 \text{ ضریب تراکم پذیری هم‌دما}$$

$$\text{حجم ویژه} = 0.000114 \frac{\text{m}^3}{\text{kg}}$$

$$-0.5694 \quad (2)$$

$$-0.2847 \quad (1)$$

$$+0.5694 \quad (4)$$

$$+0.2847 \quad (3)$$

۶۳- برای تولید آنترپیی (S_G)، کدام گزینه همواره صادق است؟

(۱) برای هر فرایندی $S_G \geq 0$ است.

(۲) برای هر فرایند آدیباتیک $S_G = 0$ است.

(۳) برای هر فرایند انبساط برگشت پذیر $S_G = 0$ است.

(۴) برای هر فرایند فشرده شدن برگشت پذیر $S_G > 0$ است.

۶۴- کدام گزینه در مورد نمودار تعادلی $P-x-y$ یک سیستم دو جزئی و دو فاز نادرست است؟

$$(1) \frac{dP}{dy_1} \text{ و } \frac{dP}{dx_1} \text{ هم علامت هستند.}$$

$$(2) \frac{dP}{dy_1} \text{، } \frac{dP}{dx_1} \text{ هم علامت و } (y_1 - x_1) \text{ نیز هم علامت است.}$$

$$(3) \frac{dP}{dy_1} \text{ و } \frac{dP}{dx_1} \text{ هم علامت و } \frac{dy_1}{dx_1} > 0 \text{ است.}$$

$$(4) \frac{dP}{dy_1} \text{ و } \frac{dP}{dx_1} \text{ هم علامت و با } \frac{dy_1}{dx_1} \text{ مختلف‌العلامت است.}$$

۶۵- گاز فریون (۱۲۴) در یک کندانسور (Condenser) توسط آب خنک می‌شود. نرخ جریان گاز در کندانسور $\frac{28 \text{ kg}}{\text{min}}$ است که با آنتالپی ویژه $400 \frac{\text{kJ}}{\text{kg}}$ وارد و با آنتالپی ویژه $220 \frac{\text{kJ}}{\text{kg}}$ خارج می‌شود. در صورتی که تغییر

دمای آب 10°C بوده و بدنه کندانسور کاملاً ایزوله شده باشد، نرخ جرمی آب چند $\frac{\text{kg}}{\text{min}}$ است؟

$$(C_p = 4200 \frac{\text{J}}{\text{kg}^\circ\text{C}}) \text{ و جریان هم یکنواخت (steady) است.}$$

(۱) ۱۲۰

(۲) ۱۲۵

(۳) ۱۳۰

(۴) ۱۳۵

۶۶- واکنش گرماگیر $A(l) + B(s) \rightleftharpoons C(g)$ در یک راکتور در دمای ثابت انجام می‌گیرد. در مورد این سیستم کدام گزینه درست است؟

(۱) افزایش دما تأثیری روی فشار ندارد.

(۲) افزایش دمای تعادلی باعث افزایش فشار می‌شود.

(۳) افزایش دمای تعادلی باعث کاهش فشار می‌شود.

(۴) این واکنش امکان‌پذیر نیست چون باعث کاهش آنتروپی می‌شود.

۶۷- گاز ایدئالی در یک سیلندر - پیستون در دو نوبت جداگانه و حالت اولیه مشابه به نحوی تغییر می‌یابد که در هر دو تغییر، دمای اولیه T_1 و دمای نهایی T_2 باشد. در نوبت اول (فرایند I) با جذب گرما تحت فشار ثابت به دمای T_2 می‌رسد و در نوبت دوم (فرایند II) با جذب گرما تحت حجم ثابت به دمای T_2 خواهد رسید. کدام گزینه صحیح است؟

$$\Delta H_I < \Delta H_{II} \quad (۱)$$

$$Q_I > Q_{II} \quad (۳)$$

$$\Delta U_I > Q_{II} \quad (۲)$$

$$W_I < W_{II} \quad (۴)$$

۶۸- یک مول از یک گاز کامل (ایدئال) از شرایط (P_1, V_1, T_1) به (P_2, V_2, T_2) تغییر حالت می‌دهد. اگر

$$\gamma = \frac{C_p}{C_v} = \text{cte} \text{ باشد، تغییر آنتالپی آن، کدام است؟}$$

$$\frac{R\Delta T}{1-\gamma} \quad (۱)$$

$$\frac{\gamma R\Delta T}{\gamma-1} \quad (۳)$$

$$\frac{R\Delta T}{\gamma-1} \quad (۲)$$

$$\frac{(\gamma-1)R\Delta T}{\gamma} \quad (۴)$$

۶۹- رفتار فازی گاز با استفاده از معادله حالت $P(V-b) = RT$ پیروی می‌کند. برای این گاز کدام است؟ $(\frac{\partial S}{\partial V})_T$

$$\frac{R}{V-b} \quad (۱)$$

$$\frac{rR}{V-b} \quad (۳)$$

$$\frac{rR}{V-2b} \quad (۴)$$

۷۰- یک موتور حرارتی شبیه یک موتور کارنو بین دو منبع با دماهای T_H (دمای گرم) و T_C (دمای سرد) کار می‌کند. تنها راهی که حرارت می‌تواند از موتور منتقل شود، انتقال حرارت تابشی است که تقریباً با سرعت زیر انجام می‌شود:

$$|\dot{Q}_c| = kAT_C^4$$

k یک ثابت و A سطح انتقال است. برای یک قدرت خروجی ثابت $|\dot{W}|$ و دمای ثابت T_H سطح در معرض تابش چه زمانی مینیمم است؟

$$\frac{T_C}{T_H} = 1 \quad (1)$$

$$\frac{T_C}{T_H} = 0.75 \quad (2)$$

$$\frac{T_C}{T_H} = 0.5 \quad (3)$$

$$\frac{T_C}{T_H} = 0.25 \quad (4)$$

۷۱- آنتالپی تغییر فاز (ΔH_{fg}) را از کدام معادله نمی‌توان به دست آورد؟

(۱) کلاسیوس کلاپیرون

(۲) واتسون

(۳) ریدل

(۴) رکت

۷۲- یک مول گاز ایدئال تحت دمای ثابت از شرایط اولیه P_1 و V_1 متراکم می‌شود تا به شرایط نهایی فشار و حجم P_2 و V_2 می‌رسد. تغییر انرژی آزاد گیبس ΔG برای این گاز کدام است؟

$$-RT \ln\left(\frac{P_2}{P_1}\right) \quad (1)$$

$$RT \ln\left(\frac{P_2}{P_1}\right) \quad (2)$$

$$\frac{R}{T} \ln \frac{P_1}{P_2} \quad (3)$$

$$RT \ln \frac{V_2}{V_1} \quad (4)$$

۷۳- قطره‌آبی به صورت کره‌ای به شعاع 10^{-6} m در نظر گرفته می‌شود. در صورتی که کشش سطحی در دمای 25°C ، 0.072 Nm^{-1} باشد، اختلاف فشار درونی و بیرونی قطره‌آبی و تغییرات فوگاسیته در قطره‌آبی و سطح آب در همان دما، به ترتیب کدام است؟

V^L (حجم مولی آب) در شرایط فوق $18 \frac{\text{cm}^3}{\text{gmole}}$ است.

$$\frac{25.2}{RT}, 1/4(\text{bar}) \quad (1)$$

$$\frac{50.4}{RT}, 1/4(\text{bar}) \quad (2)$$

$$\frac{25.2}{RT}, 7(\text{bar}) \quad (3)$$

$$\frac{50.4}{RT}, 7(\text{bar}) \quad (4)$$

۷۴- در مورد فرایند اختناق (Throttling)، کدام مورد صحیح است؟

(۱) انرژی داخلی آن ثابت می‌ماند.

(۲) آنتروپی آن ثابت می‌ماند.

(۳) آنتالپی آن ثابت می‌ماند.

(۴) دما و فشار آن کاهش می‌یابد.

۷۵- اگر هوا به عنوان گاز ایدئال از یک شیر فشارشکن (Throttling Valve) عبور کند:

(۱) دمای هوای خروجی بستگی به ظرفیت گرمای ویژه دارد.

(۲) دمای هوای خروجی از شیر نسبت به دمای ورودی کاهش می‌یابد.

(۳) دمای هوای خروجی از شیر نسبت به دمای ورودی افزایش می‌یابد.

(۴) دمای هوای خروجی از شیر همیشه برابر دمای ورودی به آن است.

۷۶- در طول شارژ یک باتری، جریان ۲۰ آمپر و ولتاژ ۱۲/۸ ولت و نرخ انتقال حرارت از باتری ۱۰ W است. مقدار تغییر انرژی درونی چند W است؟

(۱) -۲۴۶

(۲) -۱۴۶

(۳) ۱۴۶

(۴) ۲۴۶

۷۷- گاز ایدئالی با نسبت ظرفیت گرمایی ویژه γ طی یک فرایند پلی‌تروپیک $PV^\delta = cte$ از حالت ۱ به حالت ۲ می‌رود. در مورد تغییرات آنتروپی کدام گزینه صحیح است؟

(۱) $\Delta S = R\delta\gamma \ln \frac{P_2}{P_1}$

(۲) $\Delta S = R(\gamma - 1)(\delta - 1) \ln \frac{P_2}{P_1}$

(۳) $\Delta S = \frac{\delta(\gamma - 1)}{(\delta - 1)} \ln \frac{P_2}{P_1}$

(۴) $\Delta S = R \frac{\delta - \gamma}{\delta(\gamma - 1)} \ln \frac{P_2}{P_1}$

۷۸- معادلات حالتی که فقط متکی بر دو پارامتر P_c و T_c هستند، دارای دقت خوبی نیستند، چون:

(۱) برحسب حجم باقیمانده نوشته می‌شوند.

(۲) روش‌های حل دقیق آن‌ها بسیار پیچیده است.

(۳) تئوری حالات متناظر دارای دقت زیادی نیست.

(۴) در آن‌ها از معادله حالت گازهای ایدئال الهام گرفته شده است.

۷۹- گازی از معادله واندروالس $(P + \frac{a}{V^2}) = \frac{RT}{V - b}$ پیروی می‌کند. این گاز طی یک فرایند دما ثابت از شرایط اولیه

به شرایط ثانویه منتقل می‌شود. تغییرات آنتالپی این گاز برابر کدام است؟

(۱) $b(\frac{1}{V_2} - \frac{1}{V_1}) + (P_2V_2 - P_1V_1)$

(۲) $a(\frac{1}{V_2} - \frac{1}{V_1}) + (P_2V_2 - P_1V_1)$

(۳) $a(\frac{1}{V_1} - \frac{1}{V_2}) + (P_2V_2 - P_1V_1)$

(۴) $b(\frac{1}{V_1} - \frac{1}{V_2}) + (P_2V_2 - P_1V_1)$

۸۰- اگر بخواهیم C_V یک گاز را با استفاده از روابط ماکسول محاسبه کنیم، از کدام رابطه استفاده می‌کنیم؟

(۱) $C_P - C_V = R$

(۲) $dC_V = T \left(\frac{\partial^2 P}{\partial T^2} \right)_V dV$

(۳) $dC_V = -T \left(\frac{\partial^2 V}{\partial T^2} \right)_P dP$

(۴) $dS = \frac{C_V}{T} dT + \left(\frac{\partial P}{\partial T} \right)_V dV$

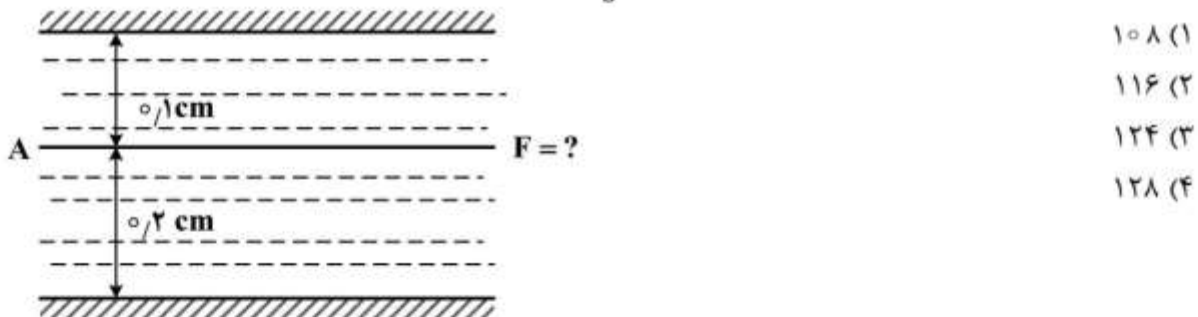
مکانیک سیالات و انتقال حرارت:

۸۱- اگر بردار سرعت یک سیال معادل $\mathbf{v} = x\mathbf{i} + y\mathbf{j} - 2z\mathbf{k}$ باشد، کدام گزینه صحیح است؟

- (۱) سیال تراکم‌ناپذیر است. (۲) سیال تراکم‌پذیر است.
 (۳) جریان سیال حتماً پایدار است. (۴) جریان پایدار بوده و $\rho = ce^{2t}$ است.

۸۲- صفحه نازک A به مساحت 30 cm^2 به صورت افقی مطابق شکل زیر در داخل یک سیال با لزجت $1/2$ سانتی‌پواز

($\mu = 1/2 \text{ cp}$) کشیده می‌شود. چنانچه سرعت صفحه $20 \frac{\text{cm}}{\text{s}}$ باشد، نیروی لازم برای کشیدن صفحه چند دین است؟

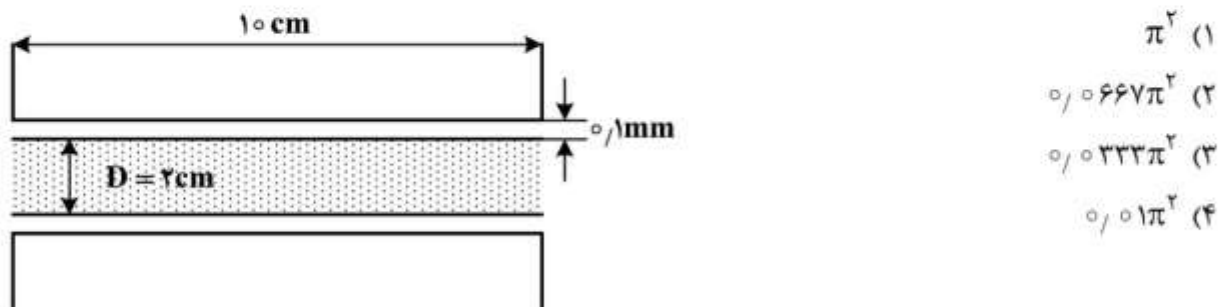


۸۳- در مکانیک سیالات کلاسیک، معادلات متداول جریان‌های تراکم‌پذیر، شامل کدام ویژگی‌هاست؟

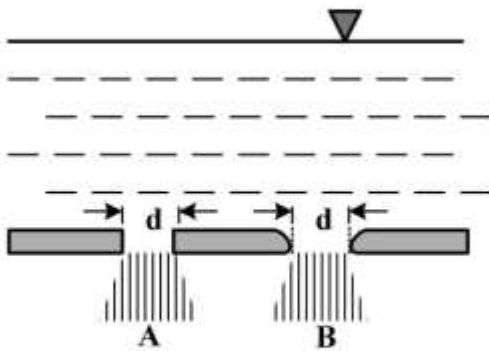
- (۱) آیزنروپیک، سه‌بعدی، عدد ماخ $0/3$ (۲) آدیاباتیک، یک‌بعدی، عدد ماخ کمتر از $0/3$
 (۳) آیزنروپیک، یک‌بعدی، عدد ماخ بزرگتر از $0/3$ (۴) آدیاباتیک، سه‌بعدی، عدد ماخ بیشتر از $0/3$

۸۴- اگر فاصله محور یاتاقان $0/1 \text{ mm}$ و ویسکوزیته روغن موجود در این فاصله 1 Pa.s باشد، جهت حصول گردش

1000 rpm ، چه گشتاوری بر حسب N.m نیاز است؟



۸۵- در کف یک مخزن بزرگ دو سوراخ کوچک با قطر یکسان وجود دارد. سوراخ A دارای گوشه‌های تیز ($C_c = 0.61$) و سوراخ B دارای گوشه‌های گرد است. نسبت دبی خروجی از دو سوراخ، کدام است؟



$$\frac{Q_A}{Q_B} = 1 \quad (1)$$

$$\frac{Q_A}{Q_B} = 0.37 \quad (2)$$

$$\frac{Q_B}{Q_A} = 0.61 \quad (3)$$

$$\frac{Q_A}{Q_B} = 0.61 \quad (4)$$

۸۶- سیالی با سرعت $100 \frac{m}{s}$ و ویسکوزیته ۲ سانتی‌پواز در یک لوله افقی با طول ۱ متر و قطر ۱۰ سانتی‌متر جریان دارد. در حالت جریان آرام و با استفاده از رابطه $h_f = 4f \frac{L}{D} \frac{V^2}{2}$ ، افت فشار دو سر لوله چند پاسکال است؟

$$320 \quad (1)$$

$$640 \quad (2)$$

$$3200 \quad (3)$$

$$6400 \quad (4)$$

۸۷- دبی حجمی یک پمپ روغن برابر $0.5 \frac{ft^3}{s}$ و قدرت پمپ ۸hp است. فشار ورودی پمپ $5 \frac{lb_f}{in^2}$ خلأ و فشار خروجی آن $40 \frac{lb_f}{in^2}$ است. اگر دانسیته روغن $50 \frac{lb_m}{ft^3}$ باشد، راندمان پمپ به کدام یک از مقادیر زیر نزدیک‌تر است؟

$$(1hp = 550 \frac{ftlb_f}{s})$$

$$7.57 \quad (1)$$

$$7.65 \quad (2)$$

$$7.74 \quad (3)$$

$$7.84 \quad (4)$$

۸۸- دانسیته آب اقیانوس با رابطه $\rho = 1000 + 0.01h$ داده شده است که در آن h عمق از سطح آب بر حسب m و

دانسیته ρ بر حسب $\frac{kg}{m^3}$ است. فشار آب در عمق ۵۰۰ متری، چند کیلوپاسکال است؟

$$g = 10 \frac{m}{s^2}$$

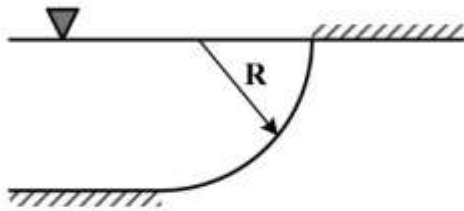
$$4987.5 \quad (1)$$

$$5000 \quad (2)$$

$$5012.5 \quad (3)$$

$$5025.5 \quad (4)$$

۸۹- برای دریچه ربع استوانه‌ای با عرض واحد مطابق شکل زیر، نیروی افقی وارد بر دریچه برابر کدام است؟



(۱) $\frac{\gamma R^2}{2}$

(۲) $\frac{\pi \gamma R^2}{2}$

(۳) γR^2

(۴) $\pi \gamma R^2$

۹۰- توزیع سرعت در لوله‌ای به قطر ۱/۵ سانتی‌متر به صورت $v = 16(1 - (\frac{r}{R})^2)$ داده شده است. تنش برشی در جداره لوله چند پاسکال است؟ ویسکوزیته سیال برابر 0.7 cp است.

(۱) ۵۶/۶

(۲) ۲۹/۹

(۳) ۵/۶۶

(۴) ۲/۹۹

۹۱- برای چه نوع سیالی می‌توان از تغییرات دما برای یک جریان لایه مرزی با دمای دیواره ثابت، صرف‌نظر کرد؟

(۱) آب (۲) روغن (۳) هیدروژن (۴) سدیم مایع

۹۲- سیالی به صورت آرام بر روی صفحه مسطح صافی در جریان است. چنانچه دمای صفحه ثابت باشد، نسبت ضریب انتقال حرارت موضعی در فاصله $2x$ به ضریب انتقال حرارت موضعی در فاصله x از ابتدای صفحه، کدام است؟

(۱) $\frac{1}{2}$

(۲) $\frac{1}{\sqrt{2}}$

(۳) ۲

(۴) $\sqrt{2}$

۹۳- انتقال حرارت از سیال به ردیف لوله‌های افقی در حالت جریان عرضی (Cross Flow) را در نظر بگیرید. در مورد

عدد ناسلت متوسط (\overline{Nu})، کدام گزینه صحیح است؟

(۱) برای بیش از ۱۰ ردیف لوله، عدد ناسلت به علت پایداری جریان و توسعه یافتگی، تغییر زیادی نمی‌کند.

(۲) برای کمتر یا بیشتر از ۱۰ ردیف لوله، در هر دو رژیم لایه‌ای و آشفتنه عدد ناسلت ثابت است.

(۳) برای بیش از ۱۰ ردیف لوله، عدد ناسلت به علت همگن شدن آشفتگی تغییر نمی‌کند.

(۴) برای بیش از ۱۰ ردیف لوله، روابط تجربی به علت ایجاد آشفتگی دقت ندارد.

۹۴- اگر معادله انرژی که شامل اتلاف ویسکوز باشد (Viscous Dissipation) را بدون بعد کنیم، ضریب بدون بعد معادله بدون بعد انرژی به کدام صورت خواهد بود؟

عدد پرانتل = Pr، عدد اکرت = Ec، عدد رایلی = Ra، عدد رینولدز = Re

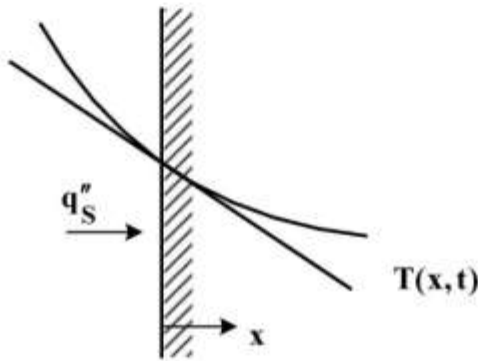
$$\frac{Ec}{Pr \cdot Re} \quad (۱)$$

$$\frac{Ec}{Pr} \quad (۲)$$

$$\frac{Ec}{Ra} \quad (۳)$$

$$\frac{Ec}{Re} \quad (۴)$$

۹۵- با توجه به شکل زیر و معادله $q_s'' = -k \frac{\partial T}{\partial x} |_{x=0}$ ، توصیف فیزیکی شرط مرزی بر روی سطح، چگونه خواهد بود؟



(۱) جابه‌جایی

(۲) دمای ثابت

(۳) سطح عایق

(۴) شار حرارتی معین

۹۶- گازی با دمای 25°C بر روی صفحه تختی که دمای آن 100°C است، به صورت آرام حرکت می‌کند. شیب دمایی

در صفحه $(\frac{\partial T}{\partial y})$ در جهت عمود بر حرکت:

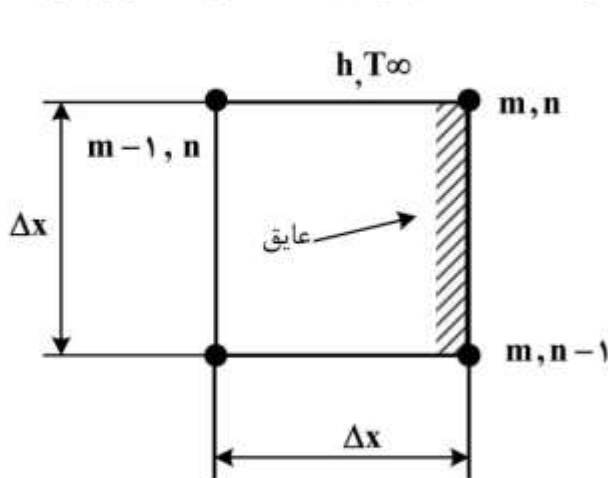
(۱) در راستای طول صفحه تغییر نمی‌کند.

(۲) در ابتدای صفحه کمتر از انتهای صفحه است.

(۳) در ابتدای صفحه بیشتر از وسط صفحه است.

(۴) در ابتدای صفحه حدود $(\frac{2}{3})$ انتهای صفحه است.

۹۷- در صورتی که نقطه (m, n) در گوشه‌ای قرار گرفته باشد که یک مرز، عایق بوده و مرز دیگر، تبادل گرمایی جابه‌جایی داشته باشد (مطابق شکل)، در این صورت دمای نقطه (m, n) چگونه به دست می‌آید؟ فرض شود که



$$Bi = \frac{h \cdot \Delta x}{k}$$

$$\frac{T_{m,n-1} + T_{m-1,n} + T_{\infty}}{1 + Bi} \quad (1)$$

$$\frac{T_{m,n-1} + T_{m-1,n} + Bi \cdot T_{\infty}}{1 + Bi} \quad (2)$$

$$\frac{T_{m,n-1} + T_{m-1,n} + Bi \cdot T_{\infty}}{2 + Bi} \quad (3)$$

$$\frac{T_{m,n-1} + T_{m-1,n} + T_{\infty}}{2 + Bi} \quad (4)$$

۹۸- روی لوله استوانه‌ای شکلی به شعاع بیرونی r به اندازه شعاع بحرانی (r_c) عایق گذاشته‌ایم (شعاع بیرونی و ضخامت لایه عایق برابر r_c). چنانچه ضخامت لایه عایق به نحوی باشد که مقاومت رسانش و مقاومت جابه‌جایی با هم برابر باشند، در این صورت نسبت شعاع بحرانی به شعاع بیرونی لوله برابر کدام است؟

$$1/7 \quad (1)$$

$$2 \quad (2)$$

$$2/25 \quad (3)$$

$$2/72 \quad (4)$$

۹۹- سیالی با ضریب هدایت حرارتی $\frac{W}{m \cdot ^\circ C}$ و دمای $20^\circ C$ از روی یک صفحه عبور می‌کند. تغییرات درجه

حرارت در راستای عمود بر جهت سیال در درون لایه مرزی به صورت $T = 220 - 450 \cdot y + 400 \cdot y^2$ داده شده

است؛ که T بر حسب درجه سانتیگراد و y بر حسب متر است. ضریب جابه‌جایی بر حسب $\frac{W}{m \cdot ^\circ C}$ چقدر است؟

$$11/25 \quad (1)$$

$$13/25 \quad (2)$$

$$22/5 \quad (3)$$

$$26/5 \quad (4)$$

۱۰۰- در طراحی دستگاهی که قرار است در آن تبادل حرارتی بین دو سیال صورت پذیرد، باید در مورد اینکه کدام یک از سیالات در کدام سمت قرار گیرند، تصمیم‌گیری شود. سیال ۱، خون انسان و سیال ۲، گاز اکسیژن است. سطحی که دو سیال، یکی از بالای آن و دیگری از زیر آن، عبور می‌کنند، به گونه‌ای طراحی شده است که یکی از سطوح فاقد پره (بی‌پره) و دیگری دارای پره‌های سوزنی (باپره) است. برای اینکه پره‌ها دارای حداکثر بازدهی باشند، توزیع این دو سیال چگونه باید باشد؟

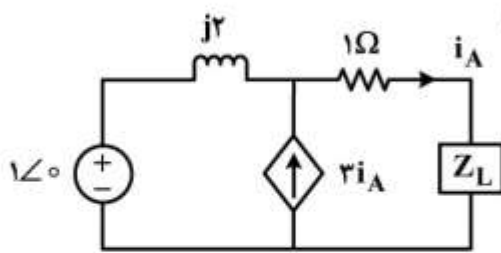
(۱) خون در سطح با پره و گاز اکسیژن در سطح بدون پره قرار گیرد.

(۲) خون در سطح بدون پره و گاز اکسیژن در سطح با پره قرار گیرد.

(۳) تعداد پره‌ها را به نصف تقلیل و خون را در سطح بدون پره و گاز اکسیژن را در سطح با پره قرار داد.

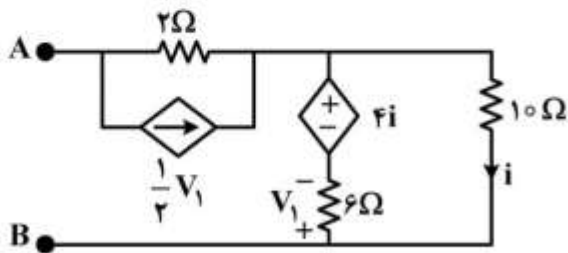
(۴) تعداد پره‌ها را به نصف تقلیل و خون را در سطح با پره و گاز اکسیژن را در سطح بدون پره قرار داد.

مدارهای الکتریکی (۲۰):



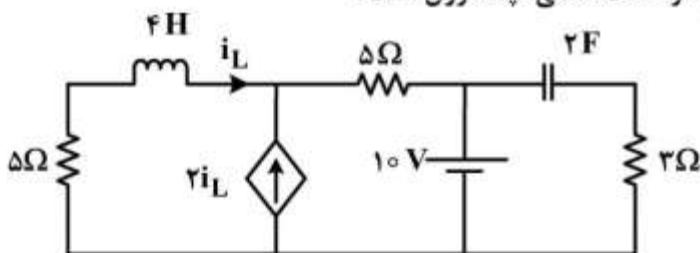
۱۰۱- در مدار زیر، Z_L چقدر باشد تا حداکثر توان در آن مصرف شود؟

- (۱) $1 + j4$
- (۲) $1 - j4$
- (۳) $-1 + j4$
- (۴) $-1 - j4$



۱۰۲- در مدار زیر، مقاومت دیده شده بین سرهای A و B، چند اهم است؟

- (۱) ۲
- (۲) ۶
- (۳) ۸
- (۴) ۱۰

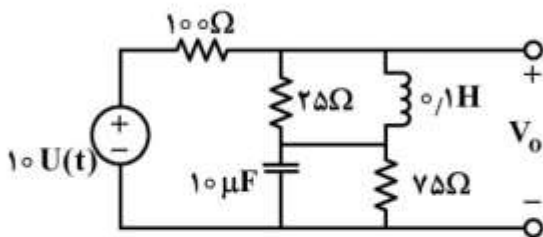


۱۰۳- در مدار زیر، انرژی ذخیره شده در سلف و خازن در حالت دائمی، چند ژول است؟

- (۱) $W_L = 0.5$, $W_C = 50$
- (۲) $W_L = 0.5$, $W_C = 100$
- (۳) $W_L = 1$, $W_C = 100$
- (۴) $W_L = 1$, $W_C = 200$

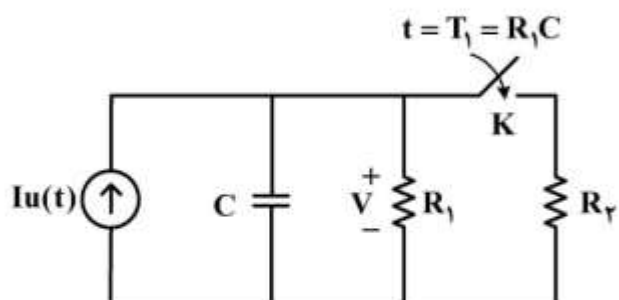
۱۰۴- در مدار زیر، در $t = 0^-$ ، مدار در حالت صفر قرار دارد؛ یعنی تمام شرایط اولیه صفر هستند. ولتاژ خروجی در

$t = 0^+$ و $t = \infty$ ، چند ولت است؟



- (۱) $V_0(0^+) = 0$, $V_0(\infty) = 2$
- (۲) $V_0(0^+) = \frac{30}{y}$, $V_0(\infty) = 2$
- (۳) $V_0(0^+) = 2$, $V_0(\infty) = \frac{30}{y}$
- (۴) $V_0(0^+) = 4$, $V_0(\infty) = 5$

۱۰۵- در مدار زیر، کلید K در زمان $T_1 = R_1 C$ بسته می‌شود. چه شرطی برقرار باشد تا مقدار نهایی ولتاژ V در بی‌نهایت کمتر از ولتاژ V در زمان T_1 باشد؟ $(V(\infty) = 0)$



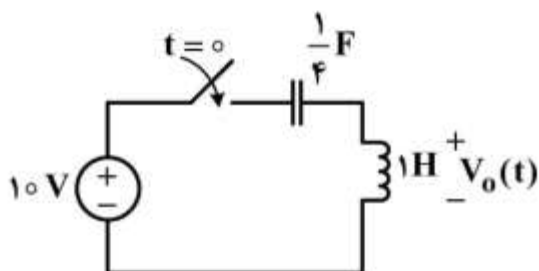
$$\frac{R_r}{R_1 + R_r} < 1 - \frac{1}{e} \quad (1)$$

$$\frac{R_r}{R_1 + R_r} > 1 - \frac{1}{e} \quad (2)$$

(۳) همواره ولتاژ V در بی‌نهایت کمتر از ولتاژ V در زمان T_1 است.

(۴) امکان این‌که ولتاژ V در بی‌نهایت کمتر از ولتاژ V در زمان T_1 باشد وجود ندارد.

۱۰۶- در مدار زیر، $V_0(t)$ برای $t > 0$ کدام است؟ (در $t < 0$ مدار در حالت صفر است.)



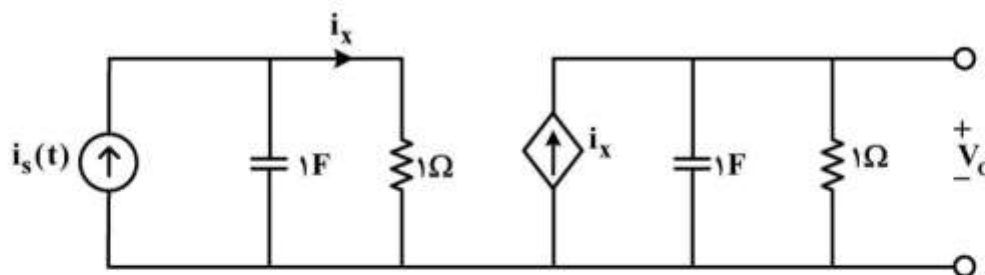
$$V_0(t) = \frac{10}{3} \cos 2t \quad (1)$$

$$V_0(t) = 10 e^{-2t} \quad (2)$$

$$V_0(t) = 10 \cos 2t \quad (3)$$

$$V_0(t) = 15 \cos 2t \quad (4)$$

۱۰۷- پاسخ ضربه مدار زیر V_0 کدام است؟



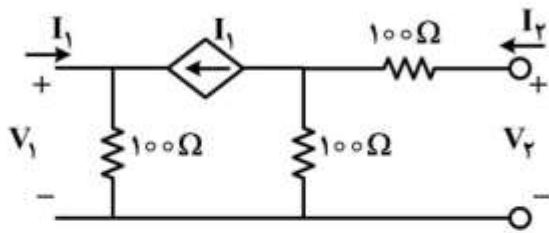
$$V_0(t) = 2te^{-t}u(t) \quad (1)$$

$$V_0(t) = te^{-t}u(t) \quad (2)$$

$$V_0(t) = te^{-t}u(t-1) \quad (3)$$

$$V_0(t) = te^{-(t-1)}u(t-1) \quad (4)$$

۱۰۸- پارامترهای ادمیتانس شبکه دوقطبی زیر، بر حسب میلی‌زیمنس کدام است؟



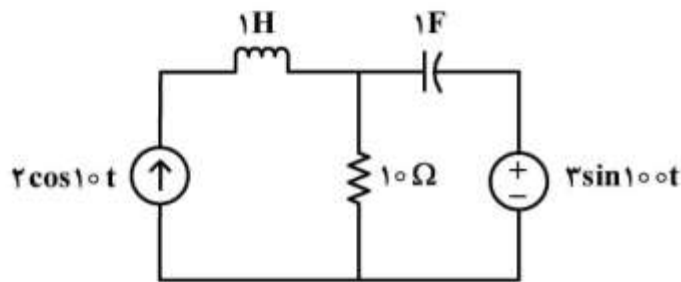
(۱) $y = \begin{bmatrix} 10 & 0 \\ 0 & 5 \end{bmatrix}$

(۲) $y = \begin{bmatrix} 10 & 5 \\ -5 & 10 \end{bmatrix}$

(۳) $y = \begin{bmatrix} 5 & 0 \\ 5 & -5 \end{bmatrix}$

(۴) $y = \begin{bmatrix} 5 & 0 \\ 2/5 & 5 \end{bmatrix}$

۱۰۹- در مدار زیر، توان متوسط مصرفی سلف، چند وات است؟



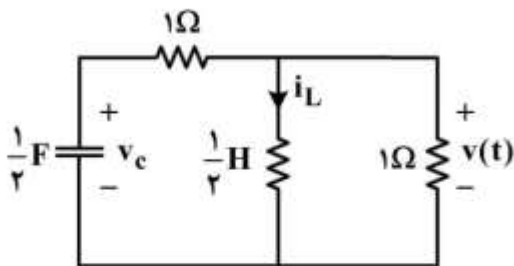
(۱) صفر

(۲) ۱

(۳) ۲

(۴) ۳

۱۱۰- مدار زیر را برای $t > 0$ با فرض $i_L(0^+) = 1A$ و $v_C(0^+) = 1V$ داریم. مقدار $\frac{dv(0^+)}{dt}$ کدام است؟



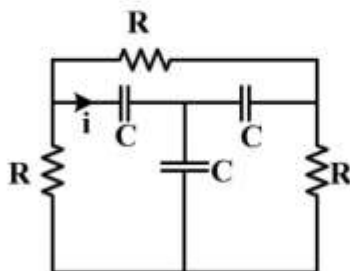
(۱) ۰

(۲) $-\frac{1}{2}$

(۳) -۱

(۴) -۲

۱۱۱- حداکثر تعداد فرکانس‌های طبیعی جریان i ، در مدار زیر کدام است؟



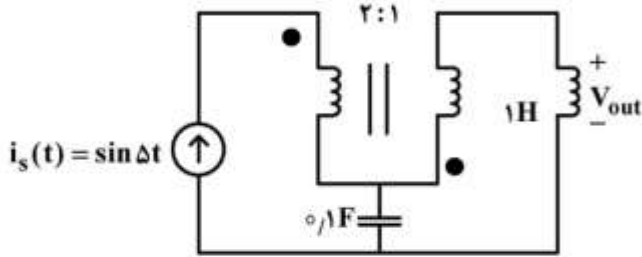
(۱) ۱

(۲) ۲

(۳) ۳

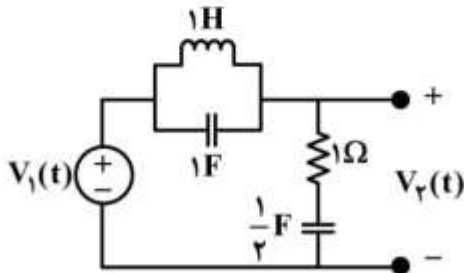
(۴) ۴

۱۱۲- در مدار زیر، ولتاژ V_{out} کدام است؟



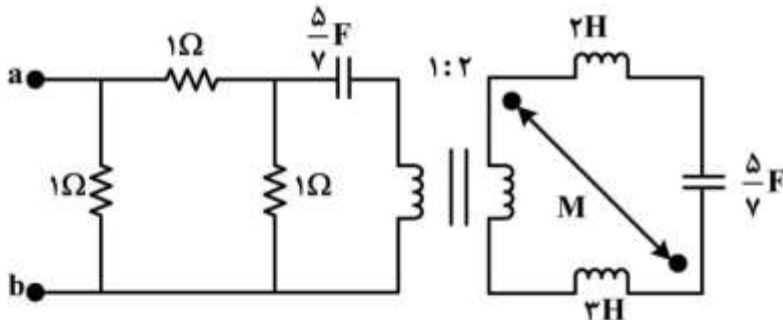
- (۱) $-2 \cos \Delta t$
- (۲) $-10 \cos \Delta t$
- (۳) $10 \cos \Delta t$
- (۴) $20 \cos \Delta t$

۱۱۳- در مدار زیر، صفحهای تابع شبکه $H(s) = \frac{V_2(s)}{V_1(s)}$ کدام است؟



- (۱) $-2, \pm j$
- (۲) $\pm j, \infty$
- (۳) $\infty, \infty, -2$
- (۴) ∞, ∞, ∞

۱۱۴- در مدار زیر، ضریب تزویج متقابل M چقدر باشد تا ضریب توان امیدانس از دو سر a و b در فرکانس $\omega = 1$ ، برابر یک شود؟



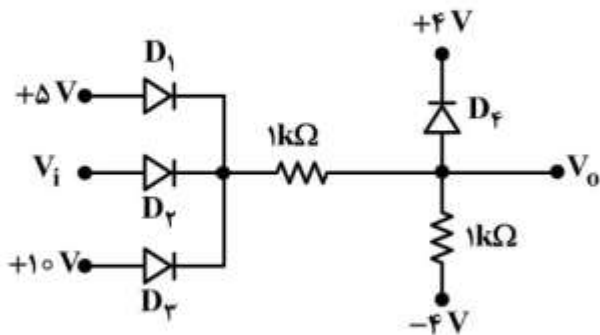
- (۱) ۰
- (۲) ۲
- (۳) ۱
- (۴) -۲

۱۱۵- در گراف مداری نسبت به یک درخت ماتریس کاتستهای اساسی Q و ماتریس حلقه‌های اساسی B بوده و نسبت به درخت دیگر ماتریس‌های متناظر \hat{Q} و \hat{B} را داریم. کدام رابطه درست است؟

- (۱) $\hat{Q}B^T = 0$
- (۲) $Q\hat{B}^T = 0$
- (۳) $QB^T = 0$
- (۴) هر سه مورد

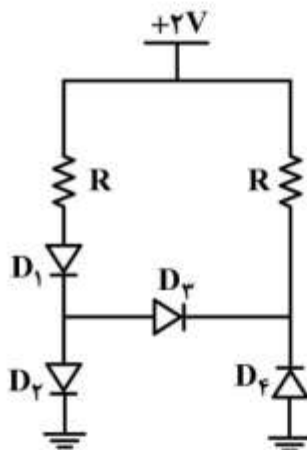
الکترونیک (۲۰):

۱۱۶- در مدار زیر، اگر دیودها را ایدئال فرض کنیم و ولتاژ V_i در محدوده ۱۳ تا ۱۶ ولت باشد، V_o چند ولت خواهد بود؟



- (۱) صفر
- (۲) ۳
- (۳) ۴
- (۴) -۴

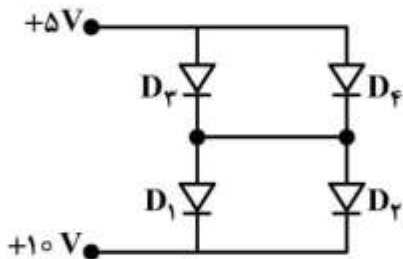
۱۱۷- در مدار زیر، همه دیودها با هم یکسان بوده و دارای ولتاژ آستانه هدایت $V_{D,on} = 0.7V$ هستند. کدام دیود



بیشترین عرض ناحیه تخلیه را دارد؟

- (۱) D_1
- (۲) D_2
- (۳) D_3
- (۴) D_4

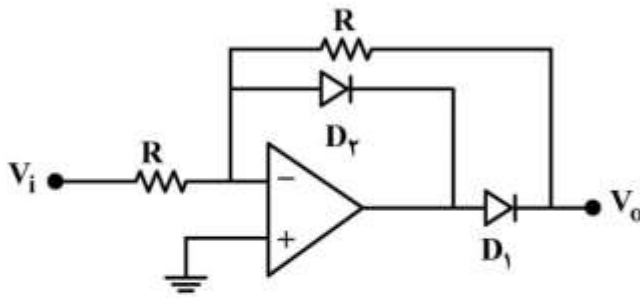
۱۱۸- در مدار دیودی زیر، جریان اشباع معکوس دیودها $\begin{cases} I_{S1} = I_{S2} = 1\mu A \\ I_{S3} = 1.5\mu A, I_{S4} = 3\mu A \end{cases}$ است. جریانی که از دیود D_3



عبور می‌کند، چند میکروآمپر است؟

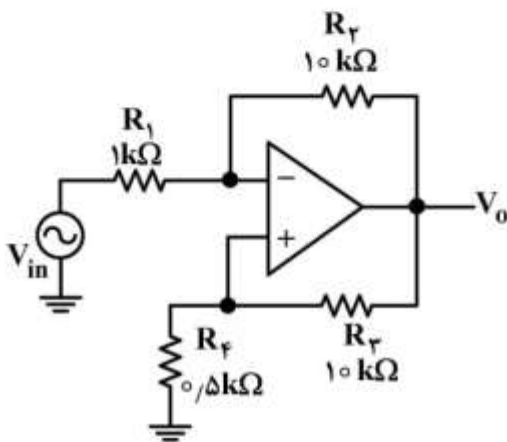
- (۱) صفر
- (۲) $\frac{2}{3}$
- (۳) ۱
- (۴) 1.5

۱۱۹- در مدار زیر، با فرض دیود ایدئال، رابطه V_o و V_i ، به ازای $V_i > 0$ کدام است؟ (V_{sat} ولتاژ اشباع آپ امپ است)



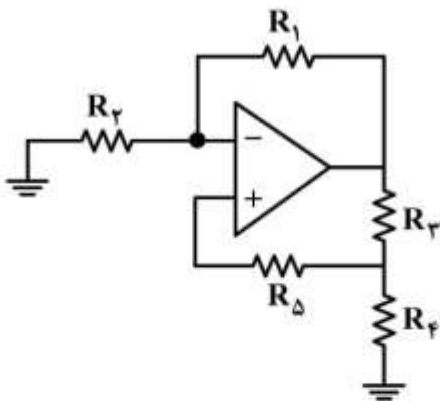
- (۱) $V_o = 0$
- (۲) $V_o = V_i$
- (۳) $V_o = -V_i$
- (۴) $V_o = V_{sat}$

۱۲۰- بهره ولتاژ مدار زیر به کدام گزینه نزدیک تر است؟ (آپ امپ ایدئال فرض شود.)



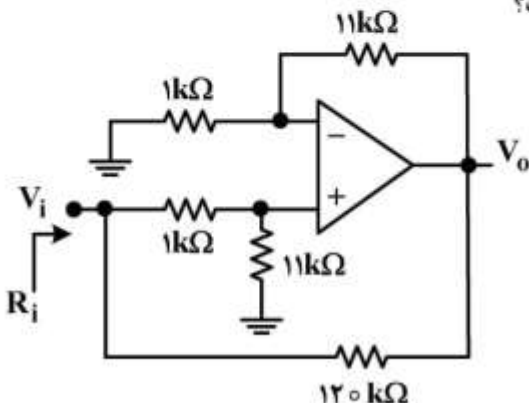
- (۱) -۲۰
- (۲) ۲۰
- (۳) -۱۵
- (۴) ۱۵

۱۲۱- برای اینکه آپ امپ در ناحیه خطی عمل کند، کدام رابطه بین مقاومتها باید برقرار باشد؟



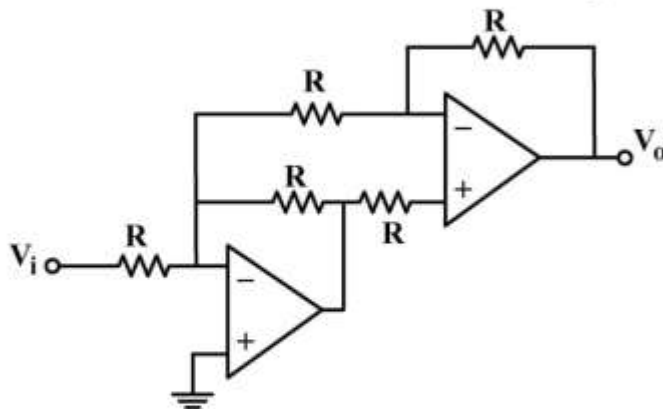
- (۱) $\frac{R_2}{R_1} < \frac{R_4}{R_3}$
- (۲) $\frac{R_2}{R_1} > \frac{R_4}{R_3}$
- (۳) $\frac{R_2}{R_1} < \frac{R_5 \parallel R_4}{R_3}$
- (۴) $\frac{R_2}{R_1} > \frac{R_5 \parallel R_4}{R_3}$

۱۲۲- در مدار زیر، آپ امپ ایدئال فرض می شود. مقدار R_i کدام است؟



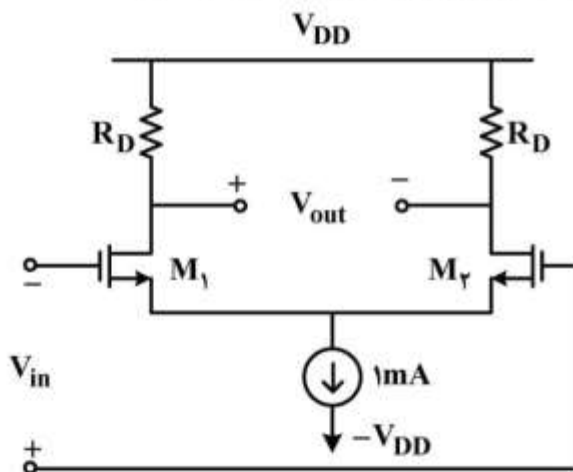
- (۱) $R_i = 0$
- (۲) $R_i = 12 \text{ k}\Omega$
- (۳) $R_i = 12 \text{ k}\Omega \parallel 11 \text{ k}\Omega$
- (۴) $R_i = \infty$

۱۲۳- در مدار زیر آپ امپها ایدئال فرض می‌شوند. بهره ولتاژ $A_v = \frac{V_o}{V_i}$ کدام است؟



- (۱) -۲
- (۲) -۱
- (۳) ۱
- (۴) ۲

۱۲۴- در مدار زیر ترانزیستورهای M_1 و M_2 در ناحیه اشباع بایاس شده‌اند و $(\frac{W}{L})_1$ ترانزیستور M_1 ، ۴ برابر $(\frac{W}{L})_2$ ترانزیستور M_2 است. به ازای چه مقداری از ورودی V_{in} ، ولتاژ خروجی V_{out} برابر با صفر خواهد بود؟

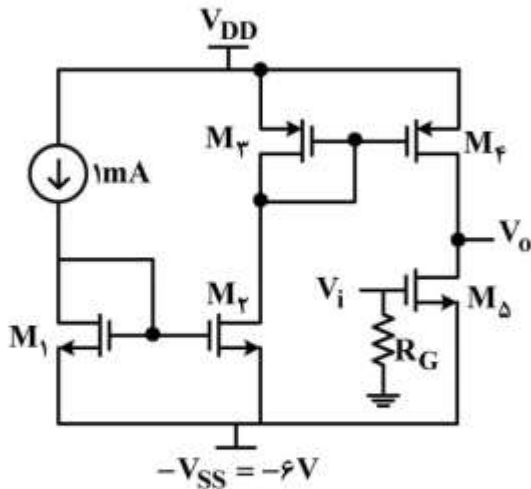


- (۱) ۰٫۲۵V
- (۲) ۰٫۵V
- (۳) ۰٫۷۵V
- (۴) ۱٫۰V

$$\mu_n C_{ox} \left(\frac{W}{L}\right)_1 = 16 \frac{\text{mA}}{\text{V}^2}$$

$$\left(\frac{W}{L}\right)_1 = 4 \left(\frac{W}{L}\right)_2$$

۱۲۵- ترانزیستورهای شکل زیر، با تکنولوژی یکسان ساخته شده و دارای $V_t = 1V$ ، $V_A = 100V$ هستند. بهره ولتاژ



به کدام عدد نزدیکتر است؟ $A_v = \frac{V_o}{V_i}$

- (۱) -۲۰
- (۲) -۴۰
- (۳) +۲۰
- (۴) +۴۰

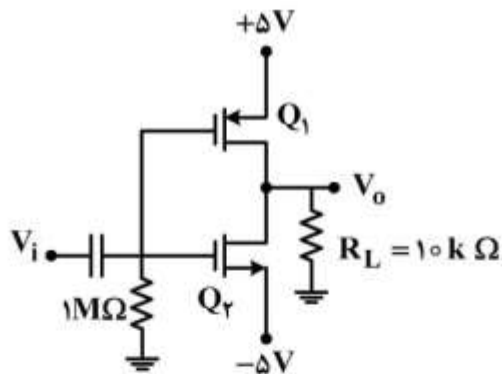
$$\left(\frac{W}{L}\right)_1 = \frac{1}{2} \left(\frac{W}{L}\right)_2$$

$$\left(\frac{W}{L}\right)_2 = \frac{1}{2} \left(\frac{W}{L}\right)_4$$

۱۲۶- در مدار زیر، Q_1 دارای مشخصات $V_{T1} = -3V$ ، $r_{d1} = 20k\Omega$ ، $\mu_p C_{ox} \frac{W}{L} = 2 \frac{mA}{V^2}$ و Q_2 دارای مشخصات

$\mu_n C_{ox} \frac{W}{L} = 8 \frac{mA}{V^2}$ ، $V_{T2} = 4V$ ، $r_{d2} = 20k\Omega$ است. بهره ولتاژ سیگنال کوچک مدار $(A_v = \frac{V_o}{V_i})$ کدام

است؟

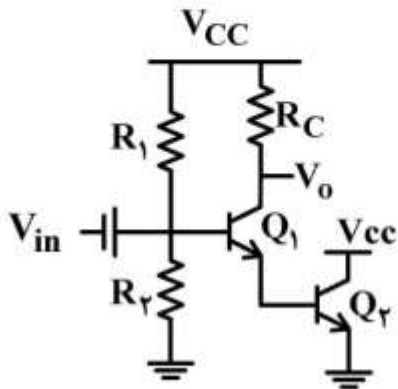


- (۱) ۰
- (۲) -۱۲
- (۳) -۶۰
- (۴) -۸۰

۱۲۷- در مدار زیر با فرض اینکه ترانزیستورها مشابه هستند، بهره تقویت کننده زیر کدام است؟ (از مقاومت خروجی ترانزیستور صرف نظر کنید).

$$\text{بهره} = \frac{\Delta V_o}{\Delta V_{in}}$$

$$g_m = \frac{I_{CQ}}{r_T}, \quad r_{\pi} = \frac{\beta}{g_m}, \quad \beta + 1 = \beta, \quad \beta_1 = \beta_2$$



$$\frac{R_C}{r_{\pi_1} + r_{\pi_2}} \quad (1)$$

$$\frac{R_C}{\frac{1}{g_{m_1}} + r_{\pi_1}} \quad (2)$$

$$\frac{-\beta R_C}{r_{\pi_1} + r_{\pi_2}} \quad (3)$$

$$\frac{-g_{m_1} R_C}{2} \quad (4)$$

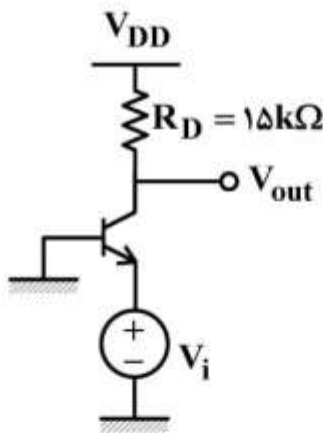
۱۲۸- بهره ولتاژ $\frac{V_{out}}{V_i}$ مدار زیر کدام است؟

$$300 \quad (1)$$

$$420 \quad (2)$$

$$490 \quad (3)$$

$$600 \quad (4)$$



$$V_T = 25 \text{ mV}$$

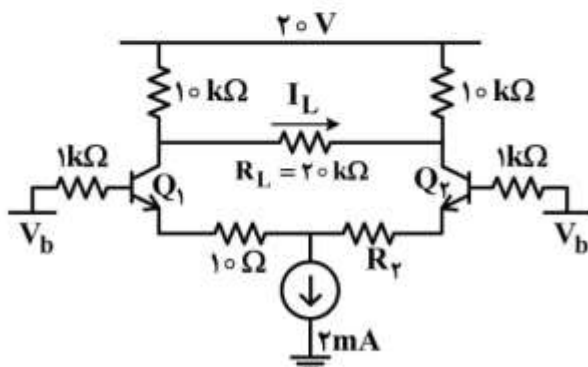
$$V_A = 35 \text{ V}$$

$$I_C = 1 \text{ mA}$$

۱۲۹- در مدار زیر:

الف) R_T چند اهم باشد تا از مقاومت بار R_L جریان DC عبور نکند؟

ب) با فرض مقاومت R_T به دست آمده در الف، اگر جای Q_1 و Q_2 را عوض کنیم، جریان عبوری از بار R_L کدام است؟ در قسمت ب) فرض کنید که V_{BE} ترانزیستور سمت راست 10 mV بیشتر است.



$$(I_{S_1} = I_{S_2}, \beta_1 = 100, \beta_2 = 50)$$

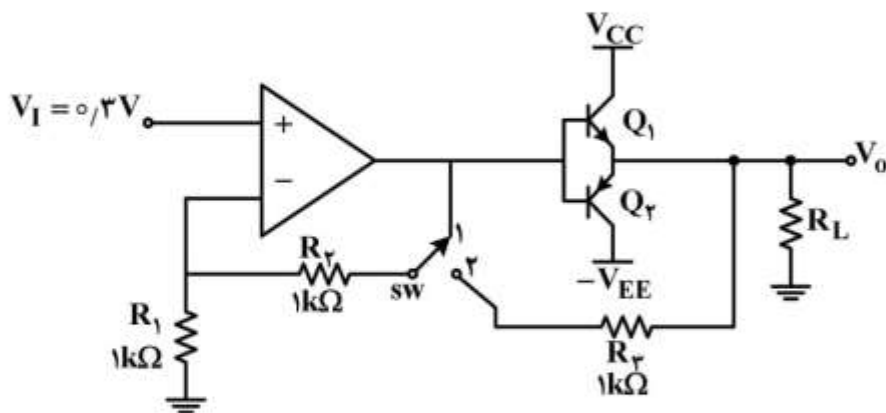
$$I_L = 0.125 \text{ mA}, R_T = 5 \Omega \quad (1)$$

$$I_L = 0.25 \text{ mA}, R_T = 5 \Omega \quad (2)$$

$$I_L = 0.125 \text{ mA}, R_T = 0 \quad (3)$$

$$I_L = 0.25 \text{ mA}, R_T = 0 \quad (4)$$

۱۳۰- در مدار زیر، اپ امپ ایدئال بوده و ترانزیستورها دارای $\beta = 100$ ، $|V_{BE,on}| = 0.7V$ هستند. اگر کلید SW از وضعیت ۱ به وضعیت ۲ برود، مقدار V_o چند میلی‌ولت تغییر می‌کند؟



- (۱) ۱۵۰
- (۲) ۳۰۰
- (۳) ۶۰۰
- (۴) ۹۰۰

